

# Parallel Type Air Gripper Standard Type

# 25A-MHZ2 Series

ø10, ø16, ø20, ø25, ø32, ø40



## How to Order

### Bore size

ø16 to ø25

25A-MHZ2-16 D [ ] - M9BW [ ]

Series compatible with secondary batteries

Number of fingers  
2 2 fingers

Bore size

|    |       |
|----|-------|
| 10 | 10 mm |
| 16 | 16 mm |
| 20 | 20 mm |
| 25 | 25 mm |

Action  
D Double acting

Number of auto switches

|     |   |
|-----|---|
| Nil | 2 |
| S   | 1 |
| n   | n |

Auto switch

Nil Without auto switch (Built-in magnet)

\* Refer to page 210 for the applicable auto switch model.

Finger position/option

Standard (MHQG2 compatible type)

Nil: Basic type

1: Side tapped mounting

2: Through-holes in opening/closing direction

3: Flat type fingers

The flat type fingers do not have standard and narrow options.



Narrow type (MHQ2 compatible type)

N: Basic type

N1: Side tapped mounting

N2: Through-holes in opening/closing direction



### Bore size

ø32, ø40

25A-MHZ2-32 D [ ] - M9BW [ ]

Series compatible with secondary batteries

Number of fingers  
2 2 fingers

Bore size

|    |       |
|----|-------|
| 32 | 32 mm |
| 40 | 40 mm |

Action  
D Double acting

Number of auto switches

|     |   |
|-----|---|
| Nil | 2 |
| S   | 1 |
| n   | n |

Auto switch

Nil Without auto switch (Built-in magnet)

\* Refer to page 210 for the applicable auto switch model.

Finger option

[Standard]

Nil: Basic type

1: Side tapped mounting

2: Through-holes in opening/closing direction

3: Flat type fingers



\* The 25A-series specifications and dimensions are the same as those of the standard model.

[Click here for details.](#)

# 25A- Series

# Applicable Auto Switches

## Applicable Cylinder Series

| Type                    | Special function                          | Electrical entry | Indicator light | Auto switches                             |                            |                   |                      |              | Air cylinders |             |                     |         |               |      |         |     |      |           |          |            |            |           |
|-------------------------|---|------------------|-----------------|---|----------------------------|-------------------|----------------------|--------------|---------------|-------------|---------------------|---------|---------------|------|---------|-----|------|-----------|----------|------------|------------|-----------|
|                         |   |                  |                 | Wiring (Output)                           | Electrical entry direction | Auto switch model | Lead wire length [m] |              |               |             | Pre-wired connector | CDJP2   | CD(B)J2 CDJ2K | CDM2 | CD(B)G1 | MDB | CDA2 |           |          |            |            |           |
|                         |   |                  |                 |   |                            |                   | 0.5 Nil              | 1 M          | 3 L           | 5 Z         |                     |         |               |      |         |     |      | ø4 to ø16 | ø10, ø16 | ø20 to ø40 | ø20 to ø63 | ø80, ø100 |
| Solid state auto switch | —   | Grommet          | Yes             | 3-wire (NPN)                              | In-line                    | D-M9N-900         | ●                    | ●            | ●             | ○           | —                   | ●       | ●             | ●    | ●       | —   | ●    | ●         |          |            |            |           |
|                         |   |                  |                 | 3-wire (PNP)                              |                            | D-M9P-900         | ●                    | ●            | ●             | ○           | —                   | ●       | ●             | ●    | ●       | —   | ●    | ●         |          |            |            |           |
|                         |   |                  |                 | 2-wire                                    |                            | D-M9B-900         | ●                    | ●            | ●             | ○           | —                   | ●       | ●             | ●    | ●       | —   | ●    | ●         |          |            |            |           |
|                         |   |                  |                 | 3-wire (NPN)                              | Perpendicular              | D-M9NV-900        | ●                    | ●            | ●             | ○           | —                   | ●       | —             | —    | —       | —   | ●    | ●         |          |            |            |           |
|                         |   |                  |                 | 3-wire (PNP)                              |                            | D-M9PV-900        | ●                    | ●            | ●             | ○           | —                   | ●       | —             | —    | —       | —   | ●    | ●         |          |            |            |           |
|                         |   |                  |                 | 2-wire                                    |                            | D-M9BV-900        | ●                    | ●            | ●             | ○           | —                   | ●       | —             | —    | —       | —   | ●    | ●         |          |            |            |           |
|                         |   |                  |                 | Diagnostic indication (2-color indicator) | Grommet                    | Yes               | —                    | 3-wire (NPN) | In-line       | D-M9NW-900  | ●                   | ●       | ●             | ○    | —       | ●   | ●    | ●         | —        | ●          | ●          |           |
|                         |   |                  |                 |   |                            |                   |                      | 3-wire (PNP) |               | D-M9PW-900  | ●                   | ●       | ●             | ○    | —       | ●   | ●    | ●         | —        | ●          | ●          |           |
|                         |   |                  |                 |   |                            |                   |                      | 2-wire       |               | D-M9BW-900  | ●                   | ●       | ●             | ○    | ○       | ●   | ●    | ●         | —        | ●          | ●          |           |
|                         |   |                  |                 |   |                            |                   |                      | 3-wire (NPN) | Perpendicular | D-M9NVV-900 | ●                   | ●       | ●             | ○    | —       | ●   | —    | —         | —        | —          | ●          | ●         |
|                         |   |                  |                 |   |                            |                   |                      | 3-wire (PNP) |               | D-M9PVV-900 | ●                   | ●       | ●             | ○    | —       | ●   | —    | —         | —        | —          | ●          | ●         |
|                         |   |                  |                 |   |                            |                   |                      | 2-wire       |               | D-M9BVV-900 | ●                   | ●       | ●             | ○    | ○       | ●   | —    | —         | —        | —          | ●          | ●         |
|                         | —   | Grommet          | Yes             | —   | 3-wire (NPN)               | In-line           | D-Y59A-900           | ●            | ●             | ●           | ○                   | —       | —             | —    | —       | —   | —    | —         |          |            |            |           |
|                         |   |                  |                 |   | 3-wire (PNP)               |                   | D-Y7P-900            | ●            | ●             | ●           | ○                   | —       | —             | —    | —       | —   | —    | —         |          |            |            |           |
|                         |   |                  |                 |   | 2-wire                     |                   | D-Y59B-900           | ●            | ●             | ●           | ○                   | —       | —             | —    | —       | —   | —    | —         |          |            |            |           |
|                         |   |                  |                 |   | 3-wire (NPN)               | Perpendicular     | D-Y69A-900           | ●            | ●             | ●           | ○                   | —       | —             | —    | —       | —   | —    | —         |          |            |            |           |
|                         |   |                  |                 |   | 3-wire (PNP)               |                   | D-Y7PV-900           | ●            | ●             | ●           | ○                   | —       | —             | —    | —       | —   | —    | —         |          |            |            |           |
|                         |   |                  |                 |   | 2-wire                     |                   | D-Y69B-900           | ●            | ●             | ●           | ○                   | —       | —             | —    | —       | —   | —    | —         |          |            |            |           |
|                         | Diagnostic indication (2-color indicator) | Grommet          | Yes             | —   | 3-wire (NPN)               | In-line           | D-Y7NW-900           | ●            | ●             | ●           | ○                   | —       | —             | —    | —       | —   | —    |           |          |            |            |           |
|                         |   |                  |                 |   | 3-wire (PNP)               |                   | D-Y7PW-900           | ●            | ●             | ●           | ○                   | —       | —             | —    | —       | —   | —    |           |          |            |            |           |
|                         |   |                  |                 |   | 2-wire                     |                   | D-Y7BW-900           | ●            | ●             | ●           | ○                   | —       | —             | —    | —       | —   | —    |           |          |            |            |           |
|                         |   |                  |                 |   | 3-wire (NPN)               | Perpendicular     | D-Y7NVV-900          | ●            | ●             | ●           | ○                   | —       | —             | —    | —       | —   | —    |           |          |            |            |           |
|                         |   |                  |                 |   | 3-wire (PNP)               |                   | D-Y7PVV-900          | ●            | ●             | ●           | ○                   | —       | —             | —    | —       | —   | —    |           |          |            |            |           |
|                         |   |                  |                 |   | 2-wire                     |                   | D-Y7BVV-900          | ●            | ●             | ●           | ○                   | —       | —             | —    | —       | —   | —    |           |          |            |            |           |
|                         | —   | Grommet          | Yes             | —   | 3-wire (NPN)               | In-line           | D-G59-900            | ●            | —             | ●           | ○                   | —       | —             | —    | —       | ●   | —    | ●         |          |            |            |           |
|                         |   |                  |                 |   | 3-wire (PNP)               |                   | D-G5P-900            | ●            | —             | ●           | ○                   | —       | —             | —    | —       | —   | ●    | —         | ●        |            |            |           |
|                         |   |                  |                 |   | 2-wire                     |                   | D-K59-900            | ●            | —             | ●           | ○                   | —       | —             | —    | —       | —   | ●    | —         | ●        |            |            |           |
|                         |   |                  |                 |   | 3-wire (NPN)               | In-line           | D-G59W-900           | ●            | —             | ●           | ○                   | —       | —             | —    | —       | —   | ●    | —         | ●        |            |            |           |
|                         |   |                  |                 |   | 3-wire (PNP)               |                   | D-G5PW-900           | ●            | —             | ●           | ○                   | —       | —             | —    | —       | —   | ●    | —         | ●        |            |            |           |
|                         |   |                  |                 |   | 2-wire                     |                   | D-K59W-900           | ●            | —             | ●           | ○                   | ○       | —             | —    | —       | —   | ●    | —         | ●        |            |            |           |
|                         | Diagnostic indication (2-color indicator) | Grommet          | Yes             | —   | 3-wire (NPN)               | In-line           | D-F79-900            | ●            | —             | ●           | ○                   | —       | —             | —    | —       | —   | —    |           |          |            |            |           |
|                         |   |                  |                 |   | 3-wire (PNP)               |                   | D-F7P-900            | ●            | —             | ●           | ○                   | —       | —             | —    | —       | —   | —    |           |          |            |            |           |
|                         |   |                  |                 |   | 2-wire                     |                   | D-J79-900            | ●            | —             | ●           | ○                   | —       | —             | —    | —       | —   | —    |           |          |            |            |           |
|                         |   |                  |                 |   | 3-wire (NPN)               | Perpendicular     | D-F7NV-900           | ●            | —             | ●           | ○                   | —       | —             | —    | —       | —   | —    |           |          |            |            |           |
|                         |   |                  |                 |   | 3-wire (PNP)               |                   | D-F7PV-900           | ●            | —             | ●           | ○                   | —       | —             | —    | —       | —   | —    |           |          |            |            |           |
|                         |   |                  |                 |   | 2-wire                     |                   | D-F7BV-900           | ●            | —             | ●           | ○                   | —       | —             | —    | —       | —   | —    |           |          |            |            |           |
|                         | Diagnostic indication (2-color indicator) | Grommet          | Yes             | —   | 3-wire (NPN)               | In-line           | D-F79W-900           | ●            | —             | ●           | ○                   | —       | —             | —    | —       | —   | —    |           |          |            |            |           |
|                         |   |                  |                 |   | 3-wire (PNP)               |                   | D-F7PW-900           | ●            | —             | ●           | ○                   | —       | —             | —    | —       | —   | —    |           |          |            |            |           |
|                         |   |                  |                 |   | 2-wire                     |                   | D-J79W-900           | ●            | —             | ●           | ○                   | —       | —             | —    | —       | —   | —    |           |          |            |            |           |
|                         |   |                  |                 |   | 3-wire (NPN)               | Perpendicular     | D-F7NVV-900          | ●            | —             | ●           | ○                   | —       | —             | —    | —       | —   | —    |           |          |            |            |           |
|                         |   |                  |                 |   | 3-wire (PNP)               |                   | D-F7PVV-900          | ●            | —             | ●           | ○                   | —       | —             | —    | —       | —   | —    |           |          |            |            |           |
|                         |   |                  |                 |   | 2-wire                     |                   | D-F7BVV-900          | ●            | —             | ●           | ○                   | —       | —             | —    | —       | —   | —    |           |          |            |            |           |
|                         | —   | Grommet          | Yes             | —   | 3-wire (NPN)               | In-line           | D-F8N-900            | ●            | —             | ●           | ○                   | —       | —             | —    | —       | —   | —    |           |          |            |            |           |
|                         |   |                  |                 |   | 3-wire (PNP)               |                   | D-F8P-900            | ●            | —             | ●           | ○                   | —       | —             | —    | —       | —   | —    |           |          |            |            |           |
|                         |   |                  |                 |   | 2-wire                     |                   | D-F8B-900            | ●            | —             | ●           | ○                   | —       | —             | —    | —       | —   | —    |           |          |            |            |           |
|                         |   |                  |                 |   | Reed auto switch           | Grommet           | No                   | 2-wire       | In-line       | D-A90-900   | —                   | —       | ●             | —    | —       | ●*1 | ●    | ●         | —        | —          | ●          |           |
|                         |   |                  |                 |   |                            |                   |                      |              |               | D-Z80-900   | —                   | —       | ●             | —    | —       | —   | —    | —         | —        | —          | —          |           |
|                         |   |                  |                 |   |                            |                   |                      |              |               | Yes         | 3-wire (NPN equiv.) | In-line | D-E76A        | ●    | —       | ●   | —    | —         | —        | —          | —          | —         |
| No                      | 2-wire                                    | D-E73A           | ●               | —   | ●                          | —                 | —                    | —            | —             |             |                     |         | —             | —    | —       |     |      |           |          |            |            |           |
|                         |   | D-E80A           | ●               | —   | ●                          | —                 | —                    | —            | —             |             |                     |         | —             | —    | —       |     |      |           |          |            |            |           |

\*1 The D-A90L-900 cannot be mounted on ø4. \* Solid state auto switches marked with "○" are produced upon receipt of order.

### Ordering the Auto Switches

Please be aware that the order part numbers for the cylinder mounted and individual auto switches are different.

(Example) Part number for ordering D-M9BWL-900:

- Cylinder mounted type: 25A-CDJ2L16-60-M9BWL (Omit the first "D-" and the last "-900" or "-901".)
- Individual auto switch: D-M9BWL-900 (Place the order with the part number for auto switch shown in the table above.)

- \* Lead wire length symbols: 0.5 m..... Nil (Example) M9NW  
 1 m..... M (Example) M9NWM  
 3 m..... L (Example) M9NWL  
 5 m..... Z (Example) M9NWZ



# 25A- Series

## Applicable Cylinder Series

| Auto switches           |                     |   |   |                 |                            |                   |                      |         |           |        |                     |           |   |   |
|-------------------------|---------------------|---|---|-----------------|----------------------------|-------------------|----------------------|---------|-----------|--------|---------------------|-----------|---|---|
| Type                    | Special function    | Electrical entry                          | Indicator light                           | Wiring (Output) | Electrical entry direction | Auto switch model | Lead wire length [m] |         |           |        | Pre-wired connector |           |   |   |
|                         |                     |   |   |                 |                            |                   | 0.5                  | 1       | 3         | 5      |                     |           |   |   |
|                         |                     |   |   |                 |                            |                   | Nil                  | M       | L         | Z      | SDPC                |           |   |   |
| Solid state auto switch | —                   | Grommet                                   | Yes                                       | 3-wire (NPN)    | In-line                    | D-M9N-900         | ●                    | ●       | ●         | ○      | —                   |           |   |   |
|                         |                     |   |   | 3-wire (PNP)    |                            | D-M9P-900         | ●                    | ●       | ●         | ○      | —                   |           |   |   |
|                         |                     |   |   | 2-wire          |                            | D-M9B-900         | ●                    | ●       | ●         | ○      | —                   |           |   |   |
|                         |                     |   |   | 3-wire (NPN)    |                            | Perpendicular     | D-M9NV-900           | ●       | ●         | ●      | ○                   | —         |   |   |
|                         |                     |   |   | 3-wire (PNP)    |                            |                   | D-M9PV-900           | ●       | ●         | ●      | ○                   | —         |   |   |
|                         |                     |   |   | 2-wire          |                            |                   | D-M9BV-900           | ●       | ●         | ●      | ○                   | —         |   |   |
|                         |                     |   |   | 3-wire (NPN)    | In-line                    |                   | D-M9NW-900           | ●       | ●         | ●      | ○                   | —         |   |   |
|                         |                     |   |   | 3-wire (PNP)    |                            |                   | D-M9PW-900           | ●       | ●         | ●      | ○                   | —         |   |   |
|                         |                     |   |   | 2-wire          |                            |                   | D-M9BW-900           | ●       | ●         | ●      | ○                   | ○         |   |   |
|                         |                     |   |   | 3-wire (NPN)    |                            | Perpendicular     | D-M9NWV-900          | ●       | ●         | ●      | ○                   | —         |   |   |
|                         |                     |   |   | 3-wire (PNP)    |                            |                   | D-M9PWV-900          | ●       | ●         | ●      | ○                   | —         |   |   |
|                         |                     |   |   | 2-wire          |                            |                   | D-M9BWV-900          | ●       | ●         | ●      | ○                   | ○         |   |   |
|                         | 3-wire (NPN)        |   |   | In-line         | D-Y59A-900                 |                   | ●                    | ●       | ●         | ○      | —                   |           |   |   |
|                         | 3-wire (PNP)        |   |   |                 | D-Y7P-900                  |                   | ●                    | ●       | ●         | ○      | —                   |           |   |   |
|                         | 2-wire              |   |   |                 | D-Y59B-900                 |                   | ●                    | ●       | ●         | ○      | —                   |           |   |   |
|                         | 3-wire (NPN)        |   |   |                 | Perpendicular              | D-Y69A-900        | ●                    | ●       | ●         | ○      | —                   |           |   |   |
|                         | 3-wire (PNP)        |   |   |                 |                            | D-Y7PV-900        | ●                    | ●       | ●         | ○      | —                   |           |   |   |
|                         | 2-wire              |   |   |                 |                            | D-Y69B-900        | ●                    | ●       | ●         | ○      | —                   |           |   |   |
|                         | 3-wire (NPN)        |   |   | In-line         |                            | D-Y7NW-900        | ●                    | ●       | ●         | ○      | —                   |           |   |   |
|                         | 3-wire (PNP)        |   |   |                 |                            | D-Y7PW-900        | ●                    | ●       | ●         | ○      | —                   |           |   |   |
|                         | 2-wire              |   |   |                 |                            | D-Y7BW-900        | ●                    | ●       | ●         | ○      | —                   |           |   |   |
|                         | 3-wire (NPN)        |   |   |                 | Perpendicular              | D-Y7NWV-900       | ●                    | ●       | ●         | ○      | —                   |           |   |   |
|                         | 3-wire (PNP)        |   |   |                 |                            | D-Y7PWV-900       | ●                    | ●       | ●         | ○      | —                   |           |   |   |
|                         | 2-wire              |   |   |                 |                            | D-Y7BWV-900       | ●                    | ●       | ●         | ○      | —                   |           |   |   |
|                         | 3-wire (NPN)        | In-line                                   | D-G59-900                                 | ●               |                            | —                 | ●                    | ○       | —         |        |                     |           |   |   |
|                         | 3-wire (PNP)        |   | D-G5P-900                                 | ●               |                            | —                 | ●                    | ○       | —         |        |                     |           |   |   |
|                         | 2-wire              |   | D-K59-900                                 | ●               |                            | —                 | ●                    | ○       | —         |        |                     |           |   |   |
|                         | 3-wire (NPN)        |   | Perpendicular                             | D-G59W-900      | ●                          | —                 | ●                    | ○       | —         |        |                     |           |   |   |
|                         | 3-wire (PNP)        |   |   | D-G5PW-900      | ●                          | —                 | ●                    | ○       | —         |        |                     |           |   |   |
|                         | 2-wire              |   |   | D-K59W-900      | ●                          | —                 | ●                    | ○       | ○         |        |                     |           |   |   |
|                         | 3-wire (NPN)        | In-line                                   |   | D-F79-900       | ●                          | —                 | ●                    | ○       | —         |        |                     |           |   |   |
|                         | 3-wire (PNP)        |   |   | D-F7P-900       | ●                          | —                 | ●                    | ○       | —         |        |                     |           |   |   |
|                         | 2-wire              |   |   | D-J79-900       | ●                          | —                 | ●                    | ○       | —         |        |                     |           |   |   |
|                         | 3-wire (NPN)        |   | Perpendicular                             | D-F7NV-900      | ●                          | —                 | ●                    | ○       | —         |        |                     |           |   |   |
|                         | 3-wire (PNP)        |   |   | D-F7PV-900      | ●                          | —                 | ●                    | ○       | —         |        |                     |           |   |   |
|                         | 2-wire              |   |   | D-F7BV-900      | ●                          | —                 | ●                    | ○       | —         |        |                     |           |   |   |
|                         | 3-wire (NPN)        | In-line                                   |   | D-F79W-900      | ●                          | —                 | ●                    | ○       | —         |        |                     |           |   |   |
|                         | 3-wire (PNP)        |   |   | D-F7PW-900      | ●                          | —                 | ●                    | ○       | —         |        |                     |           |   |   |
|                         | 2-wire              |   |   | D-J79W-900      | ●                          | —                 | ●                    | ○       | —         |        |                     |           |   |   |
|                         | 3-wire (NPN)        |   | Perpendicular                             | D-F7NWV-900     | ●                          | —                 | ●                    | ○       | —         |        |                     |           |   |   |
|                         | 2-wire              |   |   | D-F7BWV-900     | ●                          | —                 | ●                    | ○       | —         |        |                     |           |   |   |
|                         | 3-wire (NPN)        |   |   | In-line         | D-F8N-900                  | ●                 | —                    | ●       | ○         | —      |                     |           |   |   |
|                         | 3-wire (PNP)        | D-F8P-900                                 |   |                 | ●                          | —                 | ●                    | ○       | —         |        |                     |           |   |   |
|                         | 2-wire              | D-F8B-900                                 |   |                 | ●                          | —                 | ●                    | ○       | —         |        |                     |           |   |   |
|                         | —                   | Diagnostic indication (2-color indicator) |   |                 | Grommet                    | Yes               | 3-wire (NPN)         | In-line | D-A90-900 | —      | —                   | ●         | — | — |
|                         |                     |   | D-Z80-900                                 |                 |                            |                   |                      |         | —         | —      | ●                   | —         | — |   |
|                         |                     |   | 3-wire (NPN equiv.)                       |                 |                            |                   |                      |         | In-line   | D-E76A | ●                   | —         | ● | — |
|                         |                     |   |   | D-E73A          |                            |                   |                      |         |           | ●      | —                   | ●         | — | — |
| D-E80A                  |                     |   |   | ●               |                            |                   |                      |         |           | —      | ●                   | —         | — |   |
| —                       |                     |   | Diagnostic indication (2-color indicator) | Grommet         |                            |                   |                      |         | No        | 2-wire | In-line             | D-A90-900 | — | — |
|                         | D-Z80-900           | —   |   |                 | —                          | ●                 | —                    | —       |           |        |                     |           |   |   |
|                         | 3-wire (NPN equiv.) | In-line                                   |   |                 | D-E76A                     | ●                 | —                    | ●       |           |        |                     | —         | — |   |
|                         |                     |   |   |                 | D-E73A                     | ●                 | —                    | ●       |           |        |                     | —         | — |   |
|                         |                     |   |   |                 | D-E80A                     | ●                 | —                    | ●       |           |        |                     | —         | — |   |



# 25A- Series

## Applicable Rotary Actuator Series

| Type                    | Special function                          | Electrical entry | Indicator light | Auto switches                             |                            |                   |                      |               | Rotary actuators |        |                     |                  |                 |       |       |   |   |   |   |
|-------------------------|---|------------------|-----------------|---|----------------------------|-------------------|----------------------|---------------|------------------|--------|---------------------|------------------|-----------------|-------|-------|---|---|---|---|
|                         |   |                  |                 | Wiring (Output)                           | Electrical entry direction | Auto switch model | Lead wire length [m] |               |                  |        | Pre-wired connector | MSQ<br>10 to 200 | MSZ<br>10 to 50 | MDSUB |       |   |   |   |   |
|                         |   |                  |                 |   |                            |                   | 0.5<br>Nil           | 1<br>M        | 3<br>L           | 5<br>Z |                     |                  |                 | 1, 3  | 7, 20 |   |   |   |   |
| Solid state auto switch | —   | Grommet          | Yes             | 3-wire (NPN)                              | In-line                    | D-M9N-900         | ●                    | ●             | ●                | ○      | —                   | ●                | ●               | —     | —     |   |   |   |   |
|                         |   |                  |                 | 3-wire (PNP)                              |                            | D-M9P-900         | ●                    | ●             | ●                | ○      | —                   | ●                | ●               | —     | —     |   |   |   |   |
|                         |   |                  |                 | 2-wire                                    |                            | D-M9B-900         | ●                    | ●             | ●                | ○      | —                   | ●                | ●               | —     | —     |   |   |   |   |
|                         |   |                  |                 | 3-wire (NPN)                              | Perpendicular              | D-M9NV-900        | ●                    | ●             | ●                | ○      | —                   | ●                | ●               | —     | —     |   |   |   |   |
|                         |   |                  |                 | 3-wire (PNP)                              |                            | D-M9PV-900        | ●                    | ●             | ●                | ○      | —                   | ●                | ●               | —     | —     |   |   |   |   |
|                         |   |                  |                 | 2-wire                                    |                            | D-M9BV-900        | ●                    | ●             | ●                | ○      | —                   | ●                | ●               | —     | —     |   |   |   |   |
|                         |   |                  |                 | Diagnostic indication (2-color indicator) | Grommet                    | Yes               | 3-wire (NPN)         | In-line       | D-M9NW-900       | ●      | ●                   | ●                | ○               | —     | ●     | ● | — | — |   |
|                         |   |                  |                 |   |                            |                   | 3-wire (PNP)         |               | D-M9PW-900       | ●      | ●                   | ●                | ○               | —     | ●     | ● | — | — |   |
|                         |   |                  |                 |   |                            |                   | 2-wire               |               | D-M9BW-900       | ●      | ●                   | ●                | ○               | ○     | ●     | ● | — | — |   |
|                         |   |                  |                 |   |                            |                   | 3-wire (NPN)         | Perpendicular | D-M9NWV-900      | ●      | ●                   | ●                | ○               | —     | ●     | ● | — | — |   |
|                         |   |                  |                 |   |                            |                   | 3-wire (PNP)         |               | D-M9PWV-900      | ●      | ●                   | ●                | ○               | —     | ●     | ● | — | — |   |
|                         |   |                  |                 |   |                            |                   | 2-wire               |               | D-M9BWV-900      | ●      | ●                   | ●                | ○               | ○     | ●     | ● | — | — |   |
|                         | —   | Grommet          | Yes             | 3-wire (NPN)                              | In-line                    | D-Y59A-900        | ●                    | ●             | ●                | ○      | —                   | —                | —               | —     | —     |   |   |   |   |
|                         |   |                  |                 | 3-wire (PNP)                              |                            | D-Y7P-900         | ●                    | ●             | ●                | ○      | —                   | —                | —               | —     | —     |   |   |   |   |
|                         |   |                  |                 | 2-wire                                    |                            | D-Y59B-900        | ●                    | ●             | ●                | ○      | —                   | —                | —               | —     | —     |   |   |   |   |
|                         |   |                  |                 | 3-wire (NPN)                              | Perpendicular              | D-Y69A-900        | ●                    | ●             | ●                | ○      | —                   | —                | —               | —     | —     |   |   |   |   |
|                         |   |                  |                 | 3-wire (PNP)                              |                            | D-Y7PV-900        | ●                    | ●             | ●                | ○      | —                   | —                | —               | —     | —     |   |   |   |   |
|                         |   |                  |                 | 2-wire                                    |                            | D-Y69B-900        | ●                    | ●             | ●                | ○      | —                   | —                | —               | —     | —     |   |   |   |   |
|                         | Diagnostic indication (2-color indicator) | Grommet          | Yes             | 3-wire (NPN)                              | In-line                    | D-Y7NW-900        | ●                    | ●             | ●                | ○      | —                   | —                | —               | —     | —     |   |   |   |   |
|                         |   |                  |                 | 3-wire (PNP)                              |                            | D-Y7PW-900        | ●                    | ●             | ●                | ○      | —                   | —                | —               | —     | —     |   |   |   |   |
|                         |   |                  |                 | 2-wire                                    |                            | D-Y7BW-900        | ●                    | ●             | ●                | ○      | —                   | —                | —               | —     | —     |   |   |   |   |
|                         |   |                  |                 | 3-wire (NPN)                              | Perpendicular              | D-Y7NWV-900       | ●                    | ●             | ●                | ○      | —                   | —                | —               | —     | —     |   |   |   |   |
|                         |   |                  |                 | 3-wire (PNP)                              |                            | D-Y7PWV-900       | ●                    | ●             | ●                | ○      | —                   | —                | —               | —     | —     |   |   |   |   |
|                         |   |                  |                 | 2-wire                                    |                            | D-Y7BWV-900       | ●                    | ●             | ●                | ○      | —                   | —                | —               | —     | —     |   |   |   |   |
|                         |   |                  |                 | —   | Grommet                    | Yes               | 3-wire (NPN)         | In-line       | D-S991-901*1     | ●      | —                   | ●                | ○               | —     | —     | — | ● | — |   |
|                         |   |                  |                 |   |                            |                   | 3-wire (PNP)         |               | D-S992-901*1     | ●      | —                   | ●                | ○               | —     | —     | — | — | ● | — |
|                         |   |                  |                 |   |                            |                   | 3-wire (NPN)         |               | D-S9P1-901*1     | ●      | —                   | ●                | ○               | —     | —     | — | — | ● | — |
|                         |   |                  |                 |   |                            |                   | 3-wire (PNP)         |               | D-S9P2-901*1     | ●      | —                   | ●                | ○               | —     | —     | — | — | ● | — |
|                         |   |                  |                 |   |                            |                   | 2-wire               |               | D-T991-901*1     | ●      | —                   | ●                | ○               | —     | —     | — | — | ● | — |
|                         |   |                  |                 |   |                            |                   | 2-wire               |               | D-T992-901*1     | ●      | —                   | ●                | ○               | —     | —     | — | — | ● | — |
|                         | 3-wire (NPN)                              | Perpendicular    | D-S99V1-901*1   |   |                            |                   | ●                    | —             | ●                | ○      | —                   | —                | —               | —     | ●     | — |   |   |   |
|                         | 3-wire (PNP)                              |                  | D-999V2-901*1   |   |                            |                   | ●                    | —             | ●                | ○      | —                   | —                | —               | —     | ●     | — |   |   |   |
|                         | 3-wire (NPN)                              |                  | D-S9PV1-901*1   |   |                            |                   | ●                    | —             | ●                | ○      | —                   | —                | —               | —     | ●     | — |   |   |   |
|                         | 3-wire (PNP)                              |                  | D-S9PV2-901*1   |   |                            |                   | ●                    | —             | ●                | ○      | —                   | —                | —               | —     | ●     | — |   |   |   |
|                         | 2-wire                                    |                  | D-T99V1-901*1   |   |                            |                   | ●                    | —             | ●                | ○      | —                   | —                | —               | —     | ●     | — |   |   |   |
|                         | 2-wire                                    |                  | D-T99V2-901*1   |   |                            |                   | ●                    | —             | ●                | ○      | —                   | —                | —               | —     | ●     | — |   |   |   |
|                         | —   | Grommet          | Yes             | 3-wire (NPN)                              | In-line                    | D-S791-901*1      | ●                    | —             | ●                | ○      | —                   | —                | —               | —     | ●     |   |   |   |   |
|                         |   |                  |                 | 3-wire (PNP)                              |                            | D-S792-901*1      | ●                    | —             | ●                | ○      | —                   | —                | —               | —     | ●     |   |   |   |   |
|                         |   |                  |                 | 3-wire (NPN)                              |                            | D-S7P1-901*1      | ●                    | —             | ●                | ○      | —                   | —                | —               | —     | ●     |   |   |   |   |
|                         |   |                  |                 | 3-wire (PNP)                              |                            | D-S7P2-901*1      | ●                    | —             | ●                | ○      | —                   | —                | —               | —     | ●     |   |   |   |   |
| 2-wire                  |   |                  |                 | D-T791-901*1                              |                            | ●                 | —                    | ●             | ○                | —      | —                   | —                | —               | ●     |       |   |   |   |   |
| 2-wire                  |   |                  |                 | D-T792-901*1                              |                            | ●                 | —                    | ●             | ○                | —      | —                   | —                | —               | ●     |       |   |   |   |   |
| Reed auto switch        | —   | Grommet          | No              | 2-wire                                    | In-line                    | D-A90-900         | —                    | —             | ●                | —      | —                   | ●                | ●               | —     | —     |   |   |   |   |

\* Solid state auto switches marked with "○" are produced upon receipt of order.

\* Note that the individual auto switch with part number of "S□□" and "T□□" have the right-hand-type (□□□1) and the left-hand-type (□□□2).

When you order the actuator with two auto switches at the part number of the actuator, one each of the right-hand-type and the left-hand-type are shipped together with the actuator.

\* When the MHZ2-10, MHZL2-10, MHL2-10 to 40, or MHS3-32 air gripper is ordered with auto switch, mounting brackets are supplied with the air gripper. When the auto switch is used at the square groove on the side with other cylinder bore sizes, or ordering only auto switches separately, mounting brackets (90-BMG2-012) are required. Order them separately. For details, refer to page 214.

### Ordering the Auto Switches

Please be aware that the order part numbers for the rotary actuator mounted and individual auto switches are different.

(Example) Part number for ordering D-M9BWL-900:

- Rotary actuator mounted type: 25A-MSQB-10A-M9BWL  
(Omit the first "D-" and the last "-900" or "-901".)

- Individual auto switch: D-M9BWL-900

(Place the order with the part number for auto switch shown in the table above.)

- \* Lead wire length symbols: 0.5 m..... Nil (Example) M9NW  
1 m..... M (Example) M9NWM  
3 m..... L (Example) M9NWL  
5 m..... Z (Example) M9NWZ

\*1 Lead wire for a solid state auto switch with "-901" at the end of part number has been changed to a cable for a robot use.

**Applicable Air Gripper Series**

| Auto switches           |   |                  |                 |                 |                            |                   | Air grippers         |     |     |     |                     |      |          |          |             |          | Directional Control Valves |          |           |          |          |          |
|-------------------------|---|------------------|-----------------|-----------------|----------------------------|-------------------|----------------------|-----|-----|-----|---------------------|------|----------|----------|-------------|----------|----------------------------|----------|-----------|----------|----------|----------|
| Type                    | Special function                          | Electrical entry | Indicator light | Wiring (Output) | Electrical entry direction | Auto switch model | Lead wire length [m] |     |     |     | Pre-wired connector | MHZ2 | MHZL2    | MHZJ2    | MHZL2-X5955 | MHL2     |                            | MHF2     | MHS3 MHS4 | MHSJ3    | MHY2     |          |
|                         |   |                  |                 |                 |                            |                   | 0.5 Nil              | 1 M | 3 L | 5 Z |                     | SDPC | 10 to 40 | 10 to 25 | 10 to 25    | 10 to 20 |                            | 10 to 40 | 8 to 20   | 16 to 32 | 16 to 32 | 16 to 25 |
| Solid state auto switch | Diagnostic indication (2-color indicator) | Grommet          | Yes             | 3-wire (NPN)    | In-line                    | D-M9N-900         | ●                    | ●   | ●   | ○   | —                   | ●    | ●        | ●        | ●           | ●        | ●                          | ●        | ●         | ●        |          |          |
|                         |   |                  |                 |                 |                            | D-M9P-900         | ●                    | ●   | ●   | ○   | —                   | ●    | ●        | ●        | ●           | ●        | ●                          | ●        | ●         | ●        | ●        |          |
|                         |   |                  |                 |                 |                            | D-M9B-900         | ●                    | ●   | ●   | ○   | —                   | ●    | ●        | ●        | ●           | ●        | ●                          | ●        | ●         | ●        | ●        |          |
|                         |   |                  |                 |                 |                            | D-M9NV-900        | ●                    | ●   | ●   | ○   | —                   | ●    | ●        | ●        | ●           | ●        | ●                          | ●        | ●         | ●        | ●        |          |
|                         |   |                  |                 |                 |                            | D-M9PV-900        | ●                    | ●   | ●   | ○   | —                   | ●    | ●        | ●        | ●           | ●        | ●                          | ●        | ●         | ●        | ●        |          |
|                         |   |                  |                 |                 |                            | D-M9BV-900        | ●                    | ●   | ●   | ○   | —                   | ●    | ●        | ●        | ●           | ●        | ●                          | ●        | ●         | ●        | ●        |          |
|                         |   |                  |                 | 3-wire (PNP)    | Perpendicular              | D-M9NW-900        | ●                    | ●   | ●   | ○   | —                   | ●    | ●        | ●        | ●           | ●        | ●                          | ●        | ●         | ●        | ●        | ●        |
|                         |   |                  |                 |                 |                            | D-M9PW-900        | ●                    | ●   | ●   | ○   | —                   | ●    | ●        | ●        | ●           | ●        | ●                          | ●        | ●         | ●        | ●        | ●        |
|                         |   |                  |                 |                 |                            | D-M9BW-900        | ●                    | ●   | ●   | ○   | ○                   | ●    | ●        | ●        | ●           | ●        | ●                          | ●        | ●         | ●        | ●        | ●        |
|                         |   |                  |                 |                 |                            | D-M9NWV-900       | ●                    | ●   | ●   | ○   | —                   | ●    | ●        | ●        | ●           | ●        | ●                          | ●        | ●         | ●        | ●        | ●        |
|                         |   |                  |                 |                 |                            | D-M9PWV-900       | ●                    | ●   | ●   | ○   | —                   | ●    | ●        | ●        | ●           | ●        | ●                          | ●        | ●         | ●        | ●        | ●        |
|                         |   |                  |                 |                 |                            | D-M9BwV-900       | ●                    | ●   | ●   | ○   | ○                   | ●    | ●        | ●        | ●           | ●        | ●                          | ●        | ●         | ●        | ●        | ●        |
|                         | Diagnostic indication (2-color indicator) | Grommet          | Yes             | 3-wire (NPN)    | In-line                    | D-Y59A-900        | ●                    | ●   | ●   | ○   | —                   | ●    | ●        | —        | —           | ●        | —                          | —        | —         | —        |          |          |
|                         |   |                  |                 |                 |                            | D-Y7P-900         | ●                    | ●   | ●   | ○   | —                   | ●    | ●        | —        | —           | ●        | —                          | —        | —         | —        |          |          |
|                         |   |                  |                 |                 |                            | D-Y59B-900        | ●                    | ●   | ●   | ○   | —                   | ●    | ●        | —        | —           | ●        | —                          | —        | —         | —        |          |          |
|                         |   |                  |                 |                 |                            | D-Y69A-900        | ●                    | ●   | ●   | ○   | —                   | ●    | ●        | —        | —           | ●        | —                          | —        | —         | —        |          |          |
|                         |   |                  |                 |                 |                            | D-Y7PV-900        | ●                    | ●   | ●   | ○   | —                   | ●    | ●        | —        | —           | ●        | —                          | —        | —         | —        |          |          |
|                         |   |                  |                 |                 |                            | D-Y69B-900        | ●                    | ●   | ●   | ○   | —                   | ●    | ●        | —        | —           | ●        | —                          | —        | —         | —        |          |          |
|                         |   |                  |                 | 3-wire (PNP)    | Perpendicular              | D-Y7NW-900        | ●                    | ●   | ●   | ○   | —                   | ●    | ●        | —        | —           | ●        | —                          | —        | —         | —        |          |          |
|                         |   |                  |                 |                 |                            | D-Y7PW-900        | ●                    | ●   | ●   | ○   | —                   | ●    | ●        | —        | —           | ●        | —                          | —        | —         | —        |          |          |
|                         |   |                  |                 |                 |                            | D-Y7BW-900        | ●                    | ●   | ●   | ○   | —                   | ●    | ●        | —        | —           | ●        | —                          | —        | —         | —        |          |          |
|                         |   |                  |                 |                 |                            | D-Y7NWV-900       | ●                    | ●   | ●   | ○   | —                   | ●    | ●        | —        | —           | ●        | —                          | —        | —         | —        |          |          |
|                         |   |                  |                 |                 |                            | D-Y7PWV-900       | ●                    | ●   | ●   | ○   | —                   | ●    | ●        | —        | —           | ●        | —                          | —        | —         | —        |          |          |
|                         |   |                  |                 |                 |                            | D-Y7BwV-900       | ●                    | ●   | ●   | ○   | —                   | ●    | ●        | —        | —           | ●        | —                          | —        | —         | —        |          |          |
|                         | Diagnostic indication (2-color indicator) | Grommet          | Yes             | 3-wire (NPN)    | In-line                    | D-S991-901*1      | ●                    | —   | ●   | ○   | —                   | —    | —        | —        | —           | —        | —                          | —        | —         |          |          |          |
|                         |   |                  |                 |                 |                            | D-S992-901*1      | ●                    | —   | ●   | ○   | —                   | —    | —        | —        | —           | —        | —                          | —        | —         |          |          |          |
|                         |   |                  |                 |                 |                            | D-S9P1-901*1      | ●                    | —   | ●   | ○   | —                   | —    | —        | —        | —           | —        | —                          | —        | —         |          |          |          |
|                         |   |                  |                 |                 |                            | D-S9P2-901*1      | ●                    | —   | ●   | ○   | —                   | —    | —        | —        | —           | —        | —                          | —        | —         |          |          |          |
|                         |   |                  |                 |                 |                            | D-T991-901*1      | ●                    | —   | ●   | ○   | —                   | —    | —        | —        | —           | —        | —                          | —        | —         |          |          |          |
|                         |   |                  |                 |                 |                            | D-T992-901*1      | ●                    | —   | ●   | ○   | —                   | —    | —        | —        | —           | —        | —                          | —        | —         |          |          |          |
|                         |   |                  |                 | 3-wire (PNP)    | Perpendicular              | D-S99V1-901*1     | ●                    | —   | ●   | ○   | —                   | —    | —        | —        | —           | —        | —                          | —        | —         |          |          |          |
|                         |   |                  |                 |                 |                            | D-999V2-901*1     | ●                    | —   | ●   | ○   | —                   | —    | —        | —        | —           | —        | —                          | —        | —         |          |          |          |
|                         |   |                  |                 |                 |                            | D-S9PV1-901*1     | ●                    | —   | ●   | ○   | —                   | —    | —        | —        | —           | —        | —                          | —        | —         |          |          |          |
|                         |   |                  |                 |                 |                            | D-S9PV2-901*1     | ●                    | —   | ●   | ○   | —                   | —    | —        | —        | —           | —        | —                          | —        | —         |          |          |          |
|                         |   |                  |                 |                 |                            | D-T99V1-901*1     | ●                    | —   | ●   | ○   | —                   | —    | —        | —        | —           | —        | —                          | —        | —         |          |          |          |
|                         |   |                  |                 |                 |                            | D-T99V2-901*1     | ●                    | —   | ●   | ○   | —                   | —    | —        | —        | —           | —        | —                          | —        | —         |          |          |          |
|                         | 3-wire (NPN)                              | In-line          | D-S791-901*1    | ●               | —                          | ●                 | ○                    | —   | —   | —   | —                   | —    | —        | —        | —           | —        |                            |          |           |          |          |          |
|                         |   |                  | D-S792-901*1    | ●               | —                          | ●                 | ○                    | —   | —   | —   | —                   | —    | —        | —        | —           | —        |                            |          |           |          |          |          |
|                         |   |                  | D-S7P1-901*1    | ●               | —                          | ●                 | ○                    | —   | —   | —   | —                   | —    | —        | —        | —           | —        |                            |          |           |          |          |          |
|                         |   |                  | D-S7P2-901*1    | ●               | —                          | ●                 | ○                    | —   | —   | —   | —                   | —    | —        | —        | —           | —        |                            |          |           |          |          |          |
| D-T791-901*1            |   |                  | ●               | —               | ●                          | ○                 | —                    | —   | —   | —   | —                   | —    | —        | —        | —           |          |                            |          |           |          |          |          |
| D-T792-901*1            |   |                  | ●               | —               | ●                          | ○                 | —                    | —   | —   | —   | —                   | —    | —        | —        | —           |          |                            |          |           |          |          |          |
| Reed auto switch        | —   | Grommet          | No              | 2-wire          | In-line                    | D-A90-900         | —                    | —   | ●   | —   | —                   | —    | —        | —        | —           | —        | —                          | —        |           |          |          |          |

- \* Solid state auto switches marked with "○" are produced upon receipt of order.
- \* Note that the individual auto switch with part number of "S□□" and "T□□" have the right-hand-type (□□□1) and the left-hand-type (□□□2). When you order the actuator with two auto switches at the part number of the actuator, one each of the right-hand-type and the left-hand-type are shipped together with the actuator.
- \* When the MHZ2-10, MHZL2-10, MHL2-10 to 40, or MHS3-32 air gripper is ordered with auto switch, mounting brackets are supplied with the air gripper. When the auto switch is used at the square groove on the side with other cylinder bore sizes, or ordering only auto switches separately, mounting brackets (90-BMG2-012) are required. Order them separately. For details, refer to page 214.

**Ordering the Auto Switches**

Please be aware that the order part numbers for the air gripper mounted and individual auto switches are different.  
 (Example) Part number for ordering D-M9BWL-900:

|  |  |                 |
|--|--|-----------------|
| • Air gripper mounted type: 25A-MHZ2-16D-M9BWL                                   | * Lead wire length symbols: 0.5 m..... Nil | (Example) M9NW  |
| (Omit the first "D-" and the last "-900" or "-901".)                             | 1 m..... M                                 | (Example) M9NWM |
| • Individual auto switch: D-M9BWL-900  | 3 m..... L                                 | (Example) M9NWL |
| (Place the order with the part number for auto switch shown in the table above.) | 5 m..... Z                                 | (Example) M9NWZ |

\*1 Lead wire for a solid state auto switch with "-901" at the end of part number has been changed to a cable for a robot use.

# 25A- Series

## Applicable Electric Actuator Series

| Auto switches           |  |                  |                 |                 |                            |                   |                      |        |        | Electric actuators |                             |          |          |
|-------------------------|--|------------------|-----------------|-----------------|----------------------------|-------------------|----------------------|--------|--------|--------------------|-----------------------------|----------|----------|
| Type                    | Special function                             | Electrical entry | Indicator light | Wiring (Output) | Electrical entry direction | Auto switch model | Lead wire length [m] |        |        |                    | Pre-wired connector<br>SDPC | LEJS     | LEY      |
|                         |  |                  |                 |                 |                            |                   | 0.5<br>Nil           | 1<br>M | 3<br>L | 5<br>Z             |                             | 40 to 63 | 16 to 40 |
| Solid state auto switch | —  | Grommet          | Yes             | 3-wire (NPN)    | In-line                    | D-M9N-900         | ●                    | ●      | ●      | ○                  | —                           | ●        | ●        |
|                         |  |                  |                 | 3-wire (PNP)    |                            | D-M9P-900         | ●                    | ●      | ●      | ○                  | —                           | ●        | ●        |
|                         |  |                  |                 | 2-wire          |                            | D-M9B-900         | ●                    | ●      | ●      | ○                  | —                           | ●        | ●        |
|                         |  |                  |                 | 3-wire (NPN)    | Perpendicular              | D-M9NV-900        | ●                    | ●      | ●      | ○                  | —                           | ●        | ●        |
|                         |  |                  |                 | 3-wire (PNP)    |                            | D-M9PV-900        | ●                    | ●      | ●      | ○                  | —                           | ●        | ●        |
|                         |  |                  |                 | 2-wire          |                            | D-M9BV-900        | ●                    | ●      | ●      | ○                  | —                           | ●        | ●        |
|                         | Diagnostic indication<br>(2-color indicator) | Grommet          | Yes             | 3-wire (NPN)    | In-line                    | D-M9NW-900        | ●                    | ●      | ●      | ○                  | —                           | ●        | ●        |
|                         |  |                  |                 | 3-wire (PNP)    |                            | D-M9PW-900        | ●                    | ●      | ●      | ○                  | —                           | ●        | ●        |
|                         |  |                  |                 | 2-wire          |                            | D-M9BW-900        | ●                    | ●      | ●      | ○                  | ○                           | ●        | ●        |
|                         |  |                  |                 | 3-wire (NPN)    | Perpendicular              | D-M9NWV-900       | ●                    | ●      | ●      | ○                  | —                           | ●        | ●        |
|                         |  |                  |                 | 3-wire (PNP)    |                            | D-M9PWV-900       | ●                    | ●      | ●      | ○                  | —                           | ●        | ●        |
|                         |  |                  |                 | 2-wire          |                            | D-M9BWV-900       | ●                    | ●      | ●      | ○                  | ○                           | ●        | ●        |

\* Solid state auto switches marked with “○” are produced upon receipt of order.

\* Auto switches cannot be ordered with the actuator part number. They should be ordered separately. Please refer below for ordering.  
One each of the right-hand-type and the left-hand-type are shipped together with the actuator.

### Ordering the Auto Switches

- Individual auto switch: D-M9BWL-900  
(Place the order with the part number for auto switch shown in the table above.)
- \* Lead wire length symbols: 0.5 m..... Nil (Example) M9NW  
1 m..... M (Example) M9NWM  
3 m..... L (Example) M9NWL  
5 m..... Z (Example) M9NWZ



# 25A- Series Auto Switch Mounting

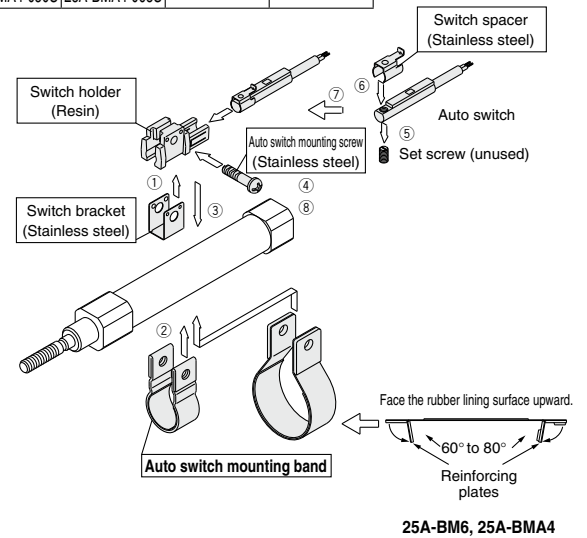
## Band Mounting Type

Applicable cylinder series: 25A-CDJ2, 25A-CDJ2K, 25A-CDBJ2, 25A-CDM2, 25A-CDG1, 25A-CDBG1, 25A-MGG  
 Applicable auto switches : D-M9□-900, D-M9□W-900, D-M9BWSVPC-900, D-M9BWSVPC-900, D-A90-900

### Auto Switch Mounting Bracket Part Nos.

| Cylinder series                    | Applicable bore size [mm] |                    |                     |                     |                     |                     |                     |                     |    |     |
|------------------------------------|---------------------------|--------------------|---------------------|---------------------|---------------------|---------------------|---------------------|---------------------|----|-----|
|                                    | 10                        | 16                 | 20                  | 25                  | 32                  | 40                  | 50                  | 63                  | 80 | 100 |
| 25A-CDJ2<br>25A-CDJ2K<br>25A-CDBJ2 | *1<br>25A-BJ7-010S        | *1<br>25A-BJ7-016S | —                   | —                   | —                   | —                   | —                   | —                   | —  | —   |
| 25A-CDM2                           | —                         | —                  | *2<br>25A-BM6-020S  | *2<br>25A-BM6-025S  | *2<br>25A-BM6-032S  | *2<br>25A-BM6-040S  | —                   | —                   | —  | —   |
| 25A-CDG1<br>25A-CDBG1              | —                         | —                  | *3<br>25A-BMA4-020S | *3<br>25A-BMA4-025S | *3<br>25A-BMA4-032S | *3<br>25A-BMA4-040S | *3<br>25A-BMA4-050S | *3<br>25A-BMA4-063S | —  | —   |
| 25A-MGG                            | —                         | —                  | *3<br>25A-BMA4-020S | *3<br>25A-BMA4-025S | *3<br>25A-BMA4-032S | *3<br>25A-BMA4-040S | *3<br>25A-BMA4-050S | *3<br>25A-BMA4-063S | —  | —   |

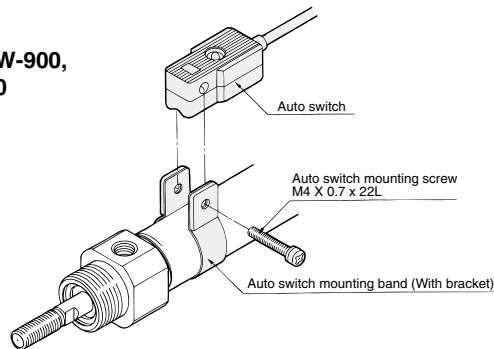
- \*1 The combination of the auto switch mounting band (BJ2-□□□S/with a stainless steel screw) and the holder set (BJ3-1).
- \*2 The combination of the auto switch mounting band (for BM2-□□□) and stainless steel screw (BBA4), and the holder set (BJ3-1).
- \*3 The combination of the auto switch mounting band (for BMA2-□□□) and stainless steel screw (BBA4), and the holder set (BJ3-1).



Applicable cylinder series: 25A-CDG1, 25A-CDBG1  
 Applicable auto switches : D-G5□-900, D-K59-900, D-G5□W-900, D-K59W-900, D-K59WSVPC-900

### Auto Switch Mounting Bracket Part Nos.

| Cylinder series       | Applicable bore size [mm] |        |
|-----------------------|---------------------------|--------|
|                       | 80                        | 100    |
| 25A-CDG1<br>25A-CDBG1 | BA-08S                    | BA-10S |

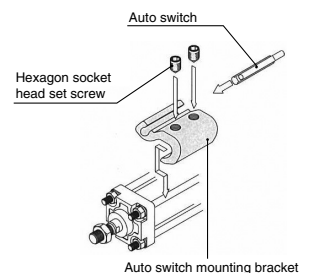


## Tie-rod Mounting Type

Applicable cylinder series: 25A-MDB, 25A-CDA2, 25A-CDS2  
 Applicable auto switches : D-M9□-900, D-M9□V-900, D-M9□W-900, D-M9□WV-900, D-M9BWSVPC-900, D-M9BWSVPC-900  
 : D-A90-900

### Auto Switch Mounting Bracket Part Nos.

| Cylinder series | Applicable bore size [mm] |                 |                |                |                |                |                 |                 |                 |  |
|-----------------|---------------------------|-----------------|----------------|----------------|----------------|----------------|-----------------|-----------------|-----------------|--|
|                 | 32                        | 40              | 50             | 63             | 80             | 100            | 125             | 140             | 160             |  |
| 25A-MDB         | 90-<br>BMB5-032           | 90-<br>BMB5-032 | 90-<br>BA7-040 | 90-<br>BA7-040 | 90-<br>BA7-063 | 90-<br>BA7-063 | —               | —               | —               |  |
| 25A-CDA2        | —                         | 90-<br>BA7-040  | 90-<br>BA7-040 | 90-<br>BA7-063 | 90-<br>BA7-080 | 90-<br>BA7-080 | —               | —               | —               |  |
| 25A-CDS2        | —                         | —               | —              | —              | —              | —              | 25A-<br>BS6-125 | 25A-<br>BS6-125 | 25A-<br>BS6-160 |  |



# 25A- Series

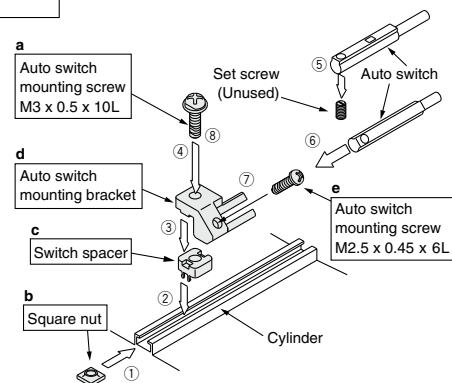
## Rail Mounting Type

Applicable cylinder series: 25A-CDBQ2

Applicable auto switches : D-M9N(V)-900, D-M9P(V)-900, D-M9B(V)-900, D-M9NW(V)-900, D-M9PW(V)-900, D-M9BW(V)-900, D-M9NA(V)-900, D-M9PA(V)-900, D-M9BA(V)-900, D-A90-900

### Auto Switch Mounting Bracket Part No.

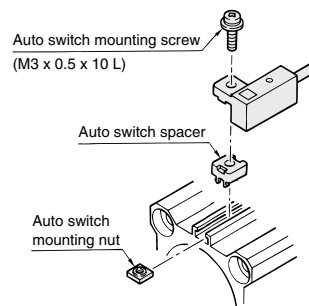
| Cylinder series | Applicable bore size [mm] |    |             |    |    |    |    |     |
|-----------------|---------------------------|----|-------------|----|----|----|----|-----|
|                 | 20                        | 25 | 32          | 40 | 50 | 63 | 80 | 100 |
| 25A-CDBQ2       | —                         | —  | 25A-BQ2-032 |    |    | —  | —  | —   |



Applicable auto switches: D-F79-900, D-F7P-900, D-J79-900, D-F7NV-900, D-F7PV-900, D-F7BV-900, D-F79W-900, D-F7PW-900, D-J79W-900, D-F7NWV-900, D-F7BWV-900

### Auto Switch Mounting Bracket Part No.

| Cylinder series | Applicable bore size [mm] |    |          |    |    |    |    |     |   |
|-----------------|---------------------------|----|----------|----|----|----|----|-----|---|
|                 | 20                        | 25 | 32       | 40 | 50 | 63 | 80 | 100 |   |
| 25A-CDBQ2       | —                         | —  | 25A-BQ-2 |    |    |    |    |     | — |

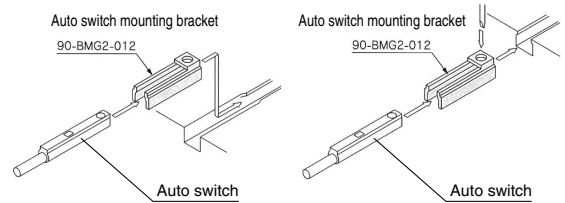


## Direct Mounting Type

Applicable cylinder series : 25A-MY1B, 25A-MY1H, 25A-MY3□,  
25A-CY3R, 25A-MGP-Z, 25A-MGP-AZ,  
25A-MGP-H/R, 25A-RSH

Applicable air gripper series: 25A-MHZ(L) 2, 25A-MHL2, 25A-MHS3, MHS4

Applicable auto switches : D-M9□-900, D-M9□V-900, D-M9□W-900,  
D-M9□WV-900, D-M9BWS DPC-900,  
D-M9BWVSDPC-900  
: D-A90L-900



### Auto Switch Mounting Bracket Part Nos.

| Cylinder series<br>Air gripper series | Applicable bore size [mm] |   |             |              |              |              |              |              |              |              |              |              |              |              |
|---------------------------------------|---------------------------|---|-------------|--------------|--------------|--------------|--------------|--------------|--------------|--------------|--------------|--------------|--------------|--------------|
|                                       | 4                         | 6 | 10          | 12           | 15           | 16           | 20           | 25           | 32           | 40           | 50           | 63           | 80           | 100          |
| 25A-CDJP2                             | —                         | — | —           | —            | —            | —            | —            | —            | —            | —            | —            | —            | —            | —            |
| 25A-MY1B-Z                            | —                         | — | —           | —            | —            | —            | —            | —            | —            | —            | —            | —            | —            | —            |
| 25A-MY1H-Z                            | —                         | — | —           | —            | —            | —            | —            | —            | —            | —            | —            | —            | —            | —            |
| 25A-MY1B                              | —                         | — | —           | —            | —            | Not required | Not required | —            | —            | —            | —            | 90-BMG2-012  | —            | —            |
| 25A-MY1M                              | —                         | — | —           | —            | —            | Not required | Not required | 90-BMG2-012  | 90-BMG2-012  | 90-BMG2-012  | 90-BMG2-012  | 90-BMG2-012  | —            | —            |
| 25A-MY1C                              | —                         | — | —           | —            | —            | Not required | Not required | 90-BMG2-012  | 90-BMG2-012  | 90-BMG2-012  | 90-BMG2-012  | 90-BMG2-012  | —            | —            |
| 25A-MY1H                              | —                         | — | —           | —            | —            | Not required | Not required | —            | —            | —            | —            | —            | —            | —            |
| 25A-MY3□                              | —                         | — | —           | —            | —            | —            | —            | —            | —            | —            | —            | —            | —            | —            |
| 25A-CY3R                              | —                         | — | —           | —            | Not required | —            | Not required | 90-BMG2-012  | 90-BMG2-012  | 90-BMG2-012  | 90-BMG2-012  | 90-BMG2-012  | —            | —            |
| 25A-MGJ                               | —                         | — | —           | —            | —            | —            | —            | —            | —            | —            | —            | —            | —            | —            |
| 25A-MGP-Z<br>25A-MGP-AZ               | —                         | — | —           | Not required | —            | Not required | Not required | Not required | Not required | Not required | Not required | Not required | Not required | Not required |
| 25A-MGP-H/R                           | —                         | — | —           | —            | —            | —            | —            | 90-BMG2-012  | 90-BMG2-012  | 90-BMG2-012  | 90-BMG2-012  | 90-BMG2-012  | 90-BMG2-012  | 90-BMG2-012  |
| 25A-RSH                               | —                         | — | —           | —            | —            | —            | —            | 90-BMG2-012  | —            | 90-BMG2-012  | —            | —            | —            | —            |
| 25A-MHZ2                              | —                         | — | 90-BMG2-012 | —            | —            | *1           | *1           | *1           | *1           | *1           | —            | —            | —            | —            |
| 25A-MHZL2                             | —                         | — | 90-BMG2-012 | —            | —            | *1           | *1           | *1           | —            | —            | —            | —            | —            | —            |
| 25A-MHL2                              | —                         | — | 90-BMG2-012 | —            | —            | 90-BMG2-012  | 90-BMG2-012  | 90-BMG2-012  | 90-BMG2-012  | 90-BMG2-012  | —            | —            | —            | —            |
| 25A-MHS3<br>25A-MHS4                  | —                         | — | —           | —            | —            | Not required | Not required | Not required | 90-BMG2-012  | —            | —            | —            | —            | —            |

\*1 When mounting D-M9 type of auto switch onto the square groove of the side of the air gripper, the auto switch mounting bracket (90-BMG2-012) is required.

Directional Control Valves  
 Air Cylinders  
 Related Products  
 Rotary Actuators  
 Air Grippers  
 Vacuum Equipment  
 Air Preparation Equipment  
 Clean Air Filters  
 Modular F.R.L. Pressure Control Equipment  
 Fittings/Flow Control Equipment  
 Detection Switches  
 Fluid Control Equipment  
 Electric Actuators  
 Auto Switches