



## How to Order

### Control unit type

Control component	Symbol								
	Nil	A	AP	M	MP	F	G	C	E
Air filter with auto drain		○	○			○			
Air filter with manual drain				○	○		○		
Regulator		○	○	○	○	○	○		
Air release valve		○	○	○	○			○	○
Pressure switch			○		○				
Blanking plate (Air release valve)						○	○		
Blanking plate (Filter, Regulator)								○	
No. of stations for mounting		2	2	2	2	2	2	2	1

### 2(B), 4(A) port size

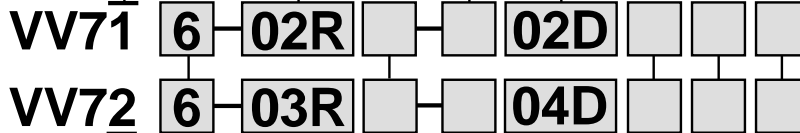
02R	1/4 (Right side)
03R	3/8 (Right side)
02L	1/4 (Left side)
03L	3/8 (Left side)
02Y	1/4 (Bottom)
03Y	3/8 (Bottom)
C6R	ø6 One-touch fitting (Right side)
C8R	ø8 One-touch fitting (Right side)
C10R	ø10 One-touch fitting (Right side)
C6L	ø6 One-touch fitting (Left side)
C8L	ø8 One-touch fitting (Left side)
C10L	ø10 One-touch fitting (Left side)
*	Mixed

### 1(P), 3(R2), 5(R1) port size

02D	1/4 (Down side)
02U	1/4 (Up side)
02B	1/4 (Both sides)
03D	3/8 (Down side)
03U	3/8 (Up side)
03B	3/8 (Both sides)
C12D	ø12 One-touch fitting (Down side)
C12U	ø12 One-touch fitting (Up side)
C12B	ø12 One-touch fitting (Both sides)
*	Mixed

### Size

1	Size 1
---	--------



**Manifold**

### Size

2	Size 2
---	--------

### Stations

1	1 station
⋮	⋮
10	10 stations

### 2(B), 4(A) port size

03R	3/8 (Right side)
04R	1/2 (Right side)
03L	3/8 (Left side)
04L	1/2 (Left side)
03Y	3/8 (Bottom)
04Y	1/2 (Bottom)
*	Mixed

### Thread type

Nil	Rc
F	G
T	NPTF

### Air release valve

Nil	None
E	With air release valve

### Rated coil voltage for air release valve

Nil	None
3	24VDC
4	12VDC
9	Voltage other than above (50VDC or less)

### Silencer box

Nil	None
SB	With silencer box

### Thread type

Nil	Rc
F	G
T	NPTF

### 1(P), 3(R2), 5(R1) port size

04D	1/2 (Down side)
04U	1/2 (Up side)
04B	1/2 (Both sides)
06D	3/4 (Down side)
06U	3/4 (Up side)
06B	3/4 (Both sides)

# Series EVS7-□

## Models

### Series EVS7-6



Positions			Bore Size	Flow rate characteristics					
				1→4, 2 (P→A, B)			4, 2→5, 3 (A, B→EA, EB)		
				C	b	Cv	C	b	Cv
2-position	Single	Metal seal	1/4	4.1	0.10	0.9	5.2	0.07	1.1
		Rubber seal		5.0	0.13	1.1	6.0	0.11	1.4
	Double	Metal seal		4.1	0.10	0.9	5.2	0.07	1.1
		Rubber seal		5.0	0.13	1.1	6.0	0.11	1.4
3-position	Closed center	Metal seal		4.1	0.10	0.9	5.2	0.10	1.1
		Rubber seal		5.0	0.13	1.1	5.6	0.20	1.3
	Exhaust center	Metal seal		4.1	0.10	0.9	5.2	0.10	1.1
		Rubber seal		4.8	0.16	1.1	6.0	0.17	1.4
	Pressure center	Metal seal	4.1	0.10	0.9	5.2	0.08	1.1	
		Rubber seal	5.6	0.15	1.2	5.9	0.08	1.3	
	Perfect type	Metal seal	1.4	—	—	3.1	—	—	
		Rubber seal	1.4	—	—	3.1	—	—	

### Series EVS7-8



Positions			Bore Size	Flow rate characteristics					
				1→4, 2 (P→A, B)			4, 2→5, 3 (A, B→EA, EB)		
				C	b	Cv	C	b	Cv
2-position	Single	Metal seal	3/8	10	0.18	2.4	12	0.24	3.0
		Rubber seal		12	0.24	3.0	13	0.27	3.3
	Double	Metal seal		10	0.18	2.4	12	0.24	3.0
		Rubber seal		12	0.24	3.0	13	0.27	3.3
3-position	Closed center	Metal seal		10	0.28	2.4	10	0.24	2.4
		Rubber seal		11	0.25	2.8	11	0.27	2.8
	Exhaust center	Metal seal		10	0.16	2.4	10	0.20	2.4
		Rubber seal		11	0.26	2.8	13	0.27	3.3
	Pressure center	Metal seal	10	0.26	2.4	11	0.25	2.8	
		Rubber seal	13	0.27	3.3	12	0.29	3.0	
	Perfect type	Metal seal	7.2	—	—	7.0	—	—	
		Rubber seal	7.2	—	—	7.0	—	—	

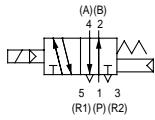
### Series EVS7-10



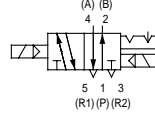
Positions			Bore Size	Flow rate characteristics					
				1→4, 2 (P→A, B)			4, 2→5, 3 (A, B→EA, EB)		
				C	b	Cv	C	b	Cv
2-position	Single	Metal seal	1/2	13	0.10	3.0	18	0.10	4.0
		Rubber seal		16	0.20	4.0	18	0.20	4.4
	Double	Metal seal		13	0.10	3.0	18	0.10	4.0
		Rubber seal		16	0.20	4.0	18	0.20	4.4
3-position	Closed center	Metal seal		13	0.10	3.0	18	0.10	4.0
		Rubber seal		15	0.20	3.5	15	0.20	3.7
	Exhaust center	Metal seal		13	0.10	3.0	18	0.10	4.0
		Rubber seal		16	0.20	4.0	16	0.20	4.0
	Pressure center	Metal seal	13	0.10	3.0	18	0.10	4.0	
		Rubber seal	15	0.20	3.8	19	0.10	4.4	

**Symbol**

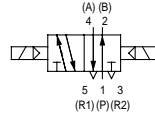
2-position single



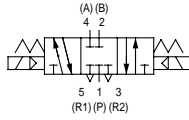
2-position double (metal)



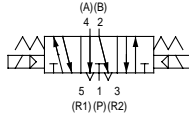
2-position double (rubber)



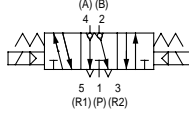
3-position closed center



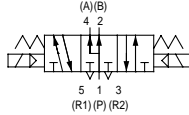
3-position exhaust center



3-position perfect



3-position pressure center



**Standard Specifications**

Valve specifications	Valve type	Metal seal	Rubber seal	
	Fluid	Air, Inert gas		
	Maximum operating pressure	1.0MPa		
	Minimum operating pressure	Single	0.1MPa	0.1MPa
		Double	0.1MPa	0.1MPa
		3-position	0.1MPa	0.1MPa: Size 1 0.15MPa: Size 2, 3
	Ambient and fluid temperature	-10° to 60°C <small>Note1)</small>	-5° to 60°C <small>Note1)</small>	
	Lubrication	None		
	Manual override	Push type (tool required)		
	Impact resistance/ Vibration resistance	150/50m/s <sup>2</sup> <small>Note2)</small>		
Enclosure	IP65 (Dust/Splashproof type)			
Electric specifications	Rated coil voltage	12VDC, 24VDC		
	Allowable voltage fluctuation	-15 to +10% of rated voltage		
	Type of coil insulation	Equivalent to class B		
	Power consumption	24VDC	1.8W DC (75mA)	
		12VDC	1.8W DC (150mA)	

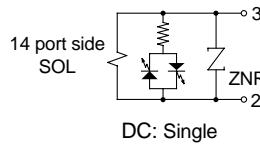
Note 1) Use dry air to prevent condensation at low temperatures.

Note 2) **Impact resistance:** No malfunction resulted during on the impact test using a drop impact tester. The test was performed one time each in the axial and right angle directions of the main valve and armature for both energized and de-energized conditions.

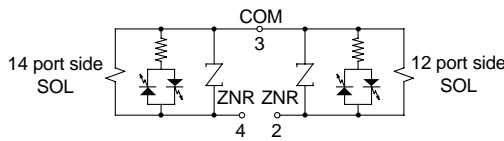
**Vibration resistance:** No malfunction resulted during a one-sweep test between 8.3 and 2000Hz. The test was performed in the axial and right angle directions of the main valve and armature for both energized and de-energized conditions.

**Specific Product Precautions**

**⚠ Caution**  
**Internal Wiring Specifications**

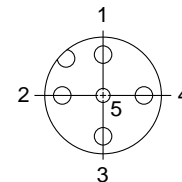


DC: Single



DC: Double

**M12 connector: Wiring specifications**



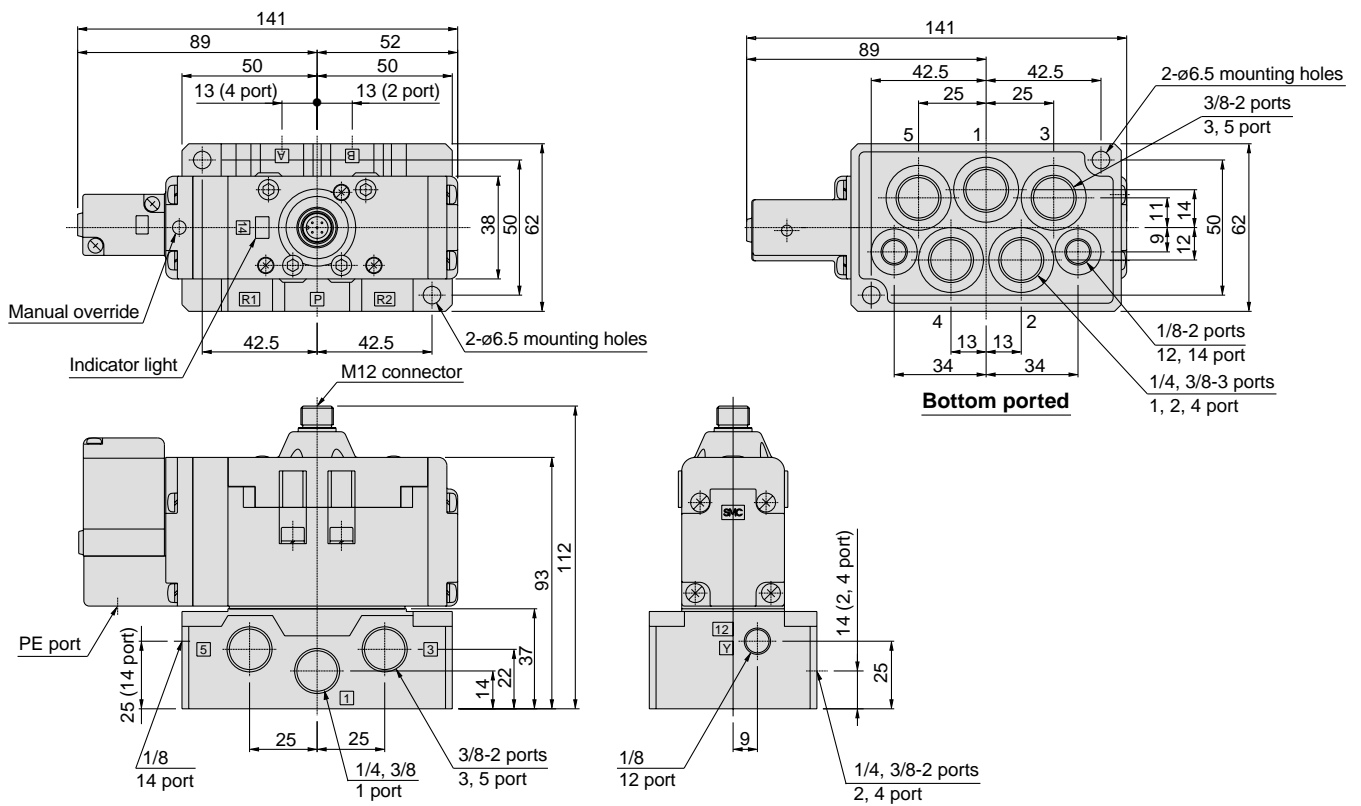
- Pin no.
- 1: Open
- 2: 12 port side SOL (+)(-)
- 3: COM (-)(+)
- 4: 14 port side SOL (+)(-)
- 5: Ground

**针脚PNP  
无极性**

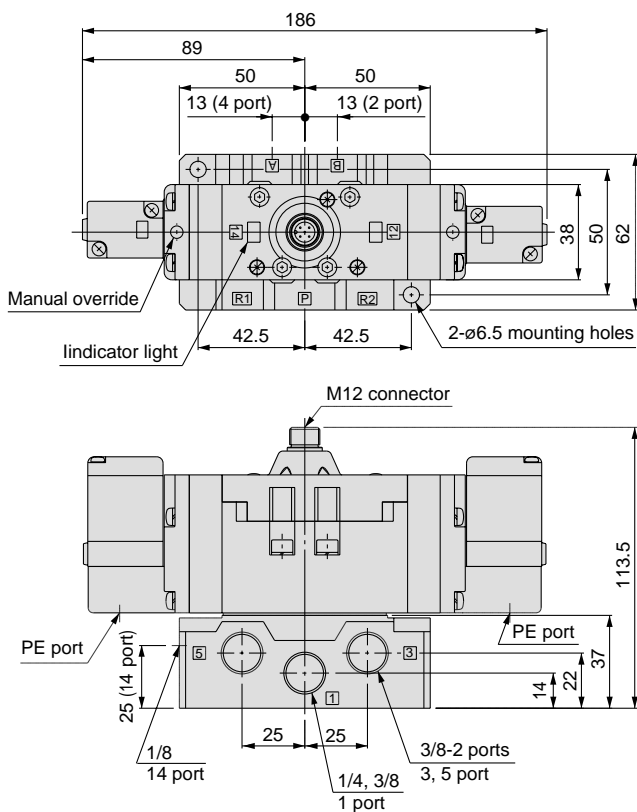
# Series EVS7-□

## Dimensions

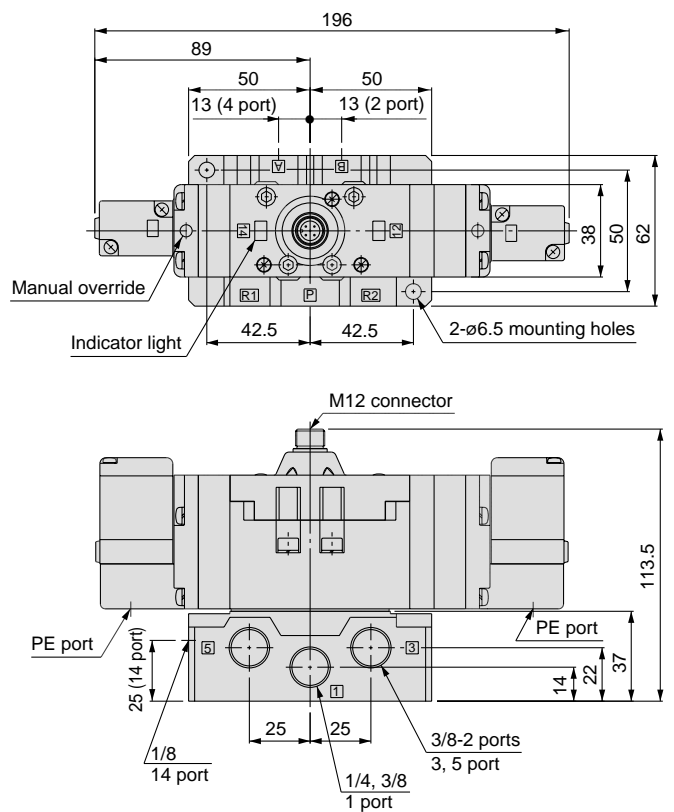
### EVS7-6-FG-S-□□M0



### EVS7-6-FG-D-□□M0



### EVS7-6-F<sup>H</sup>G-D-□□M0

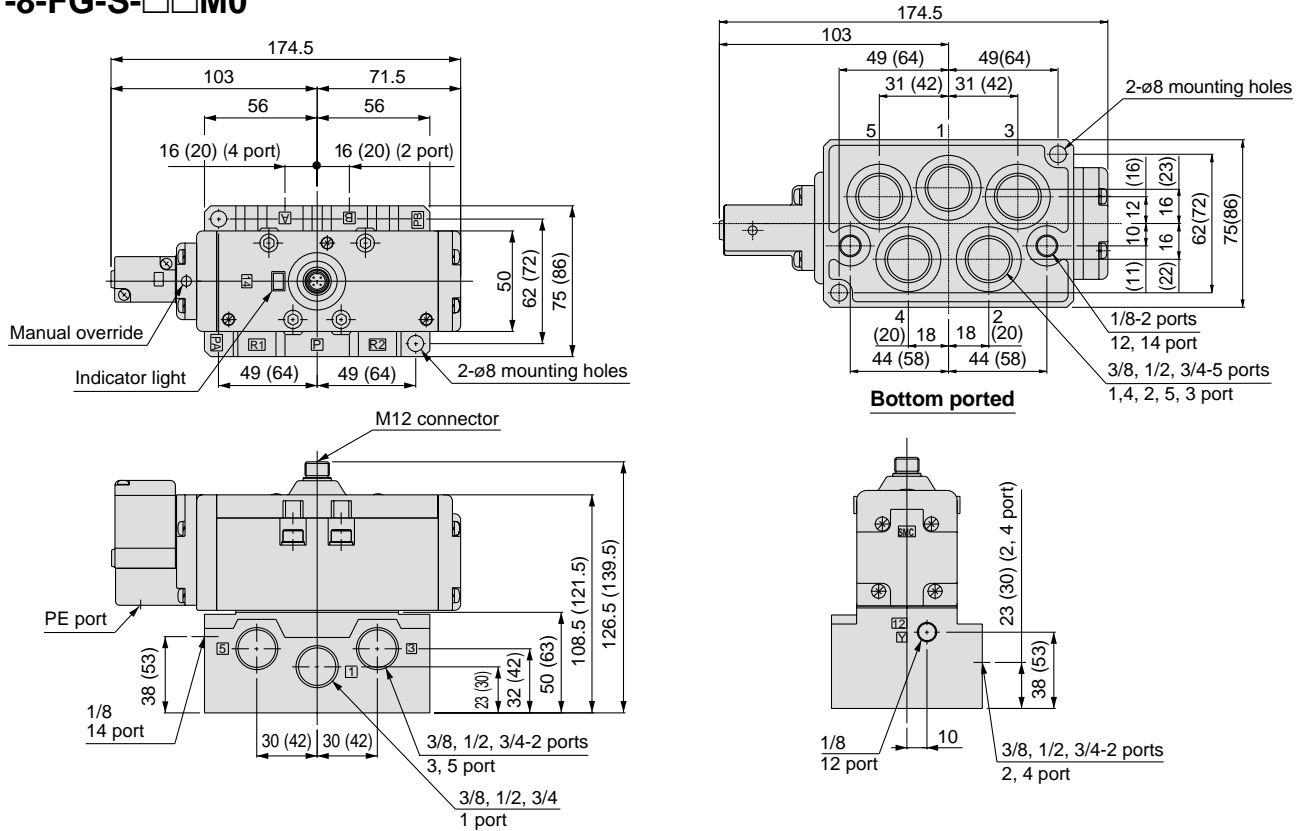




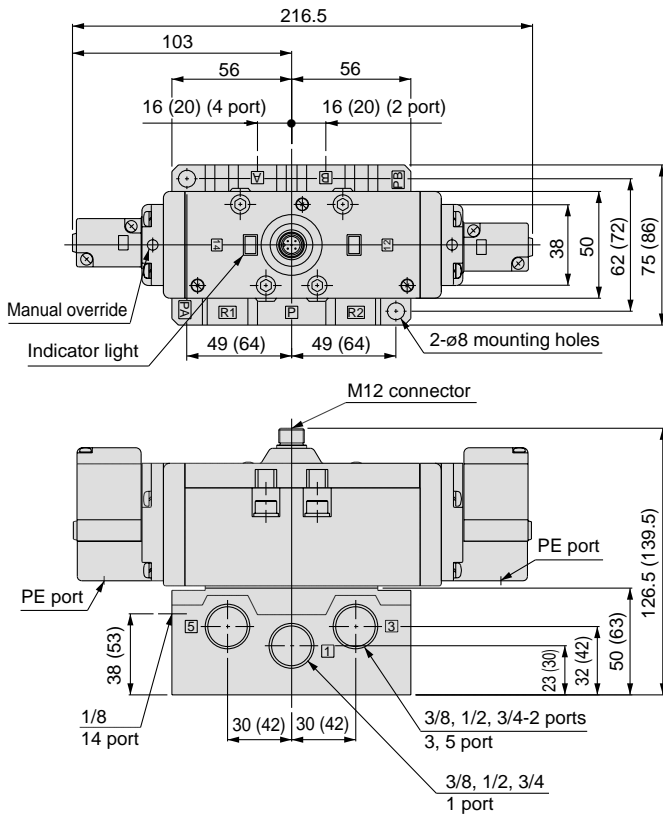
# Series EVS7-□

## Dimensions

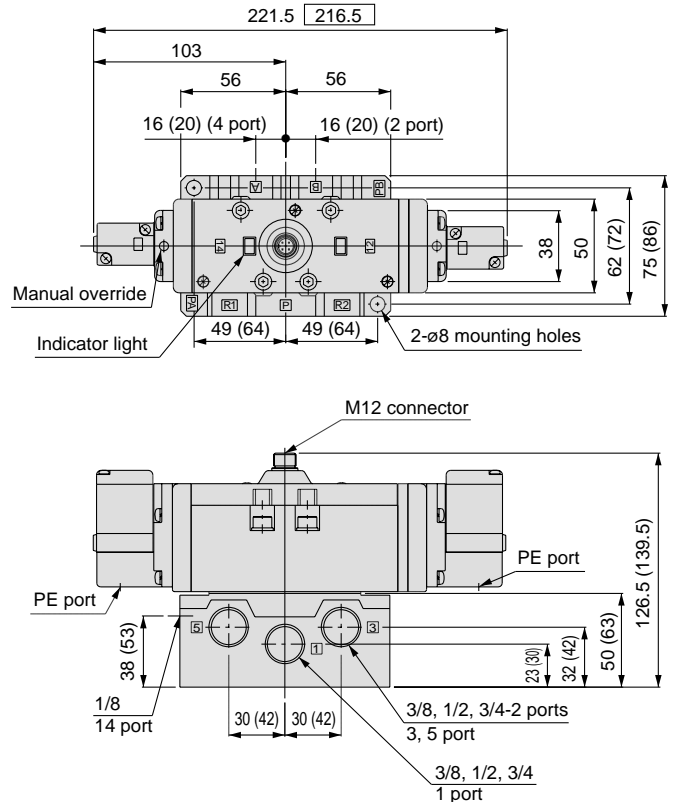
### EVS7-8-FG-S-□□M0



### EVS7-8-FG-D-□□M0



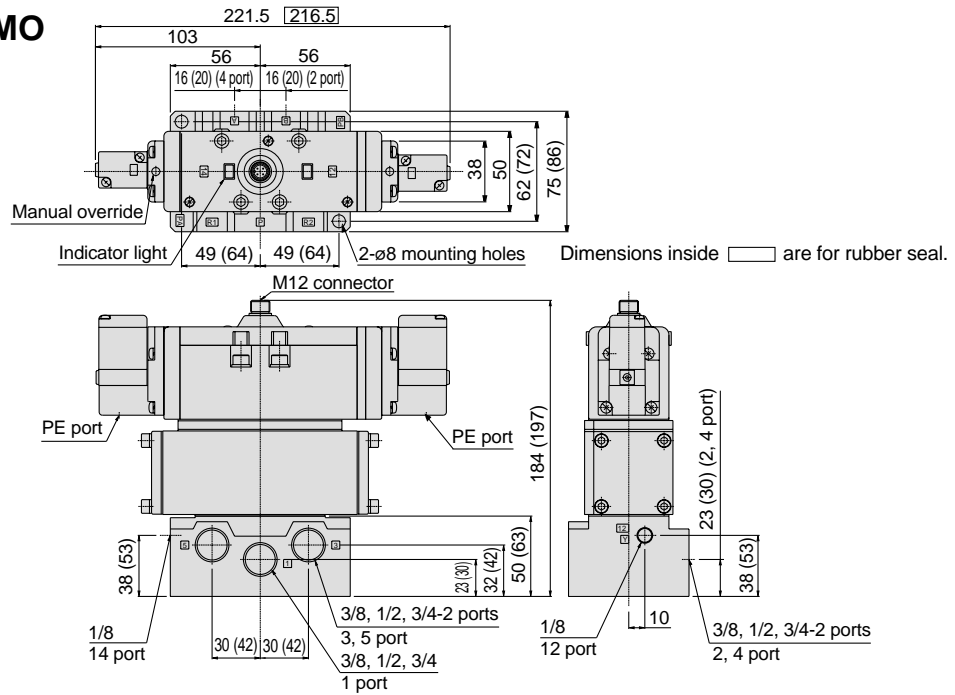
### EVS7-8-F<sup>H</sup><sub>I</sub>G-D-□□M0



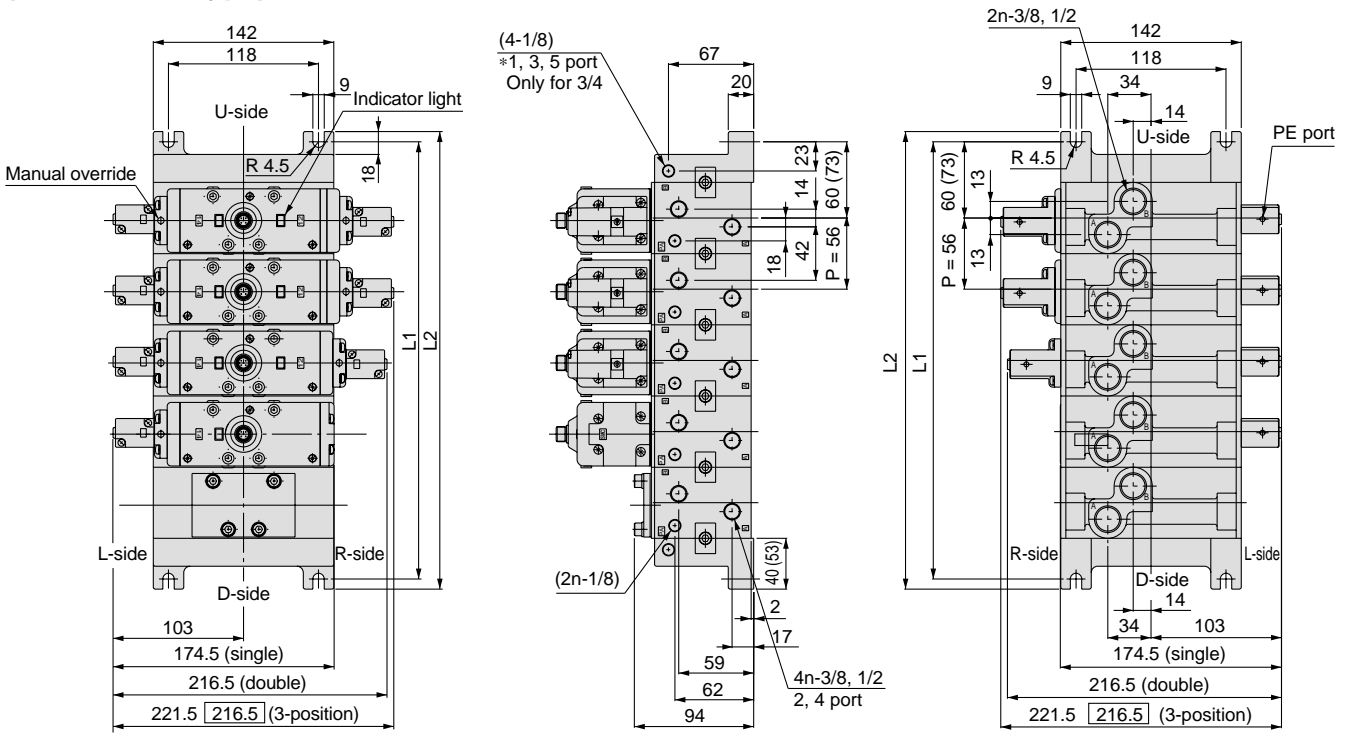
Dimension inside   is for rubber seal.  
Dimensions inside ( ) are for Sub-plate.

**Dimensions**

**EVS7-8-FPG-D-□□MO**



**VV72□-□-□□□**  
**(M connector type)**



**Bottom ported**

**L: Dimensions**

n: Stations

P, R1, R2 port	n	n: Stations										Formulas
		1	2	3	4	5	6	7	8	9	10	
Rc 1/2	L1	120	176	232	288	344	400	456	512	568	624	L1 = 56n + 64 L2 = 56n + 80
	L2	136	192	248	304	360	416	472	528	584	640	
Rc 3/4	L1	146	202	258	314	370	426	482	538	594	650	L1 = 56n + 90 L2 = 56n + 106
	L2	162	218	274	330	386	442	498	554	610	666	

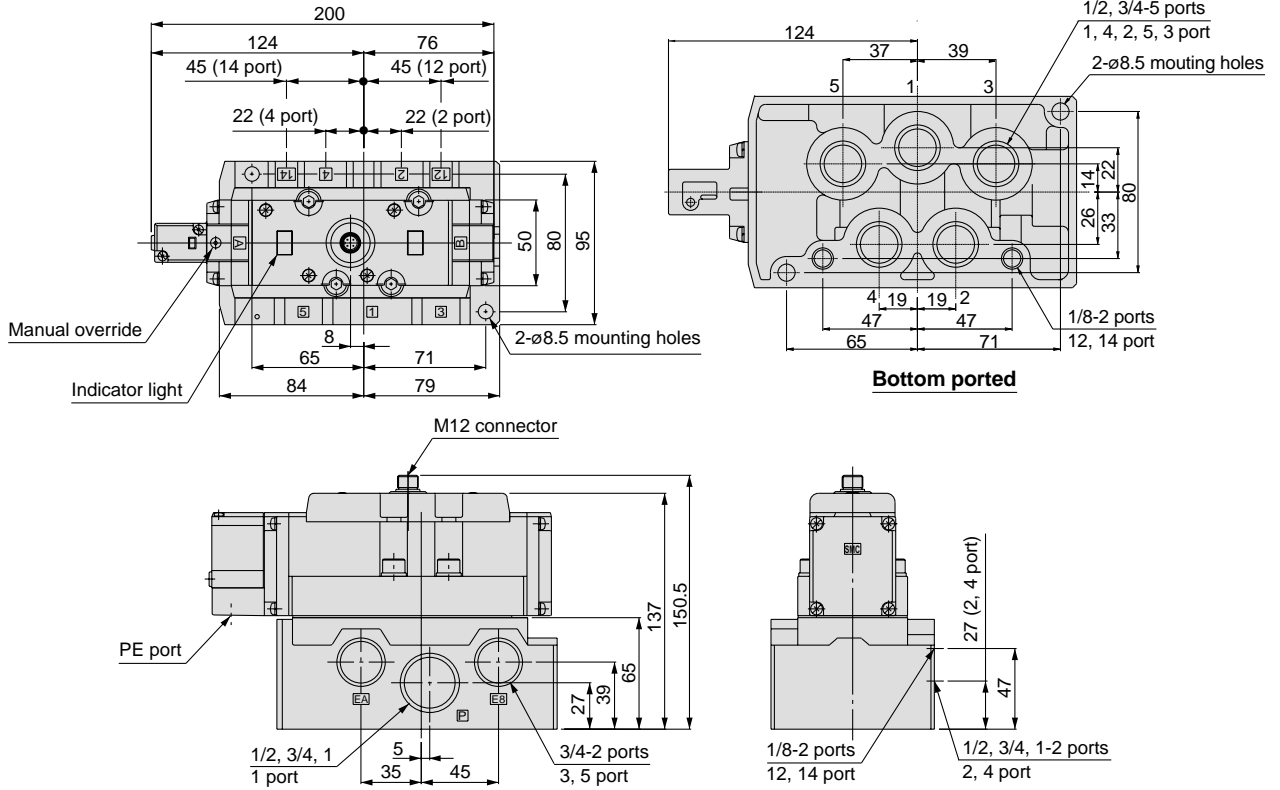
Dimensions inside ( ) are for Rc 3/4.  
Dimensions inside □ are for rubber seal.



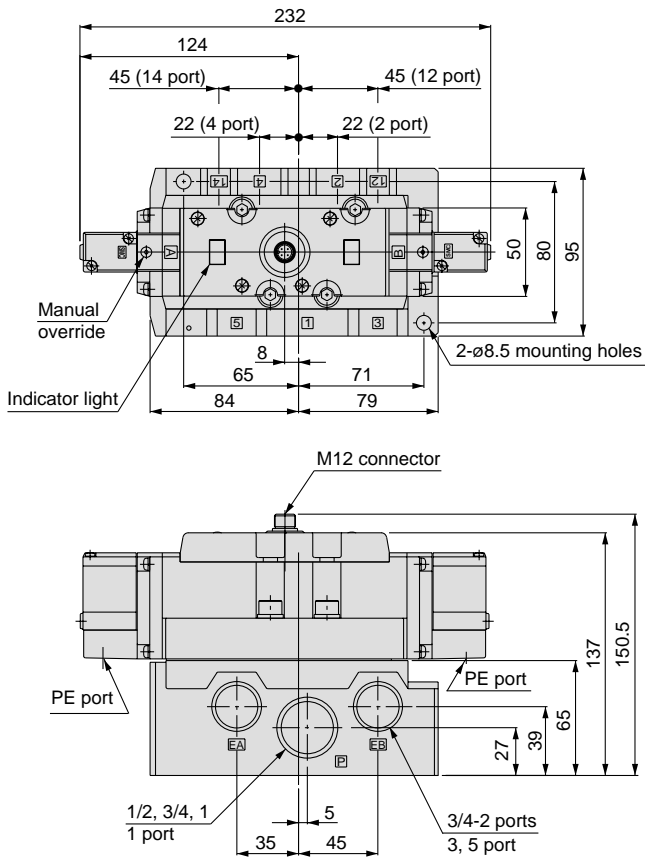
# Series EVS7-□

## Dimensions

### EVS7-10-FG-S-□□M0



### EVS7-10-FG-D-□□M0



### EVS7-10-F<sup>H</sup><sub>J</sub>G-D-□□M0

