

Compact cylinder CDC, to ISO 21287, clean design


FESTO

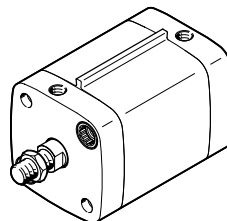
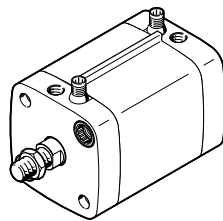
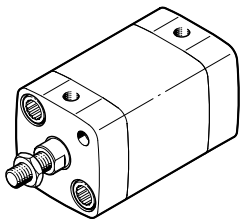


Key features

Design	Easy to clean	Easy to install	Flexible
<ul style="list-style-type: none"> The cylinder series CDC (Clean Design Compact) provides an easy-to-clean, compact cylinder variant for the modular system ADN It is based on ISO 21287 for compact cylinders, and characterised by short strokes and a compact design, just like compact cylinder ADN Up to 50% space savings compared with standard ISO 15552 The compact cylinder CDC is designed as a double-acting pneumatic cylinder with piston, piston rod and profile barrel 	<ul style="list-style-type: none"> Clean design means smooth surfaces without grooves and edges, making it difficult for dirt to accumulate For hygiene reasons, the threads on the cylinder caps should be sealed with suitable cover screws Resistant to conventional cleaning agents Increased corrosion protection 	<ul style="list-style-type: none"> Comprehensive range of mounting accessories for just about every type of installation Contactless position sensing via proximity switches 	<ul style="list-style-type: none"> The variants can be configured according to individual needs using a modular product system Excellent flexibility thanks to a wide range of variants

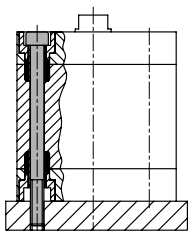
Variants

<p>CDC-...</p> <ul style="list-style-type: none"> ∅ 20, 25 mm Without position sensing 	<p>CDC-...-A...-R</p> <ul style="list-style-type: none"> ∅ 32 ... 80 mm With position sensing integrated in the end positions 	<p>CDC-...-A-R</p> <ul style="list-style-type: none"> ∅ 32 ... 80 mm With sensor mounting rail for external position sensing 	<p> Note A combination with both integrated and external position sensing is possible.</p>
--	---	--	--

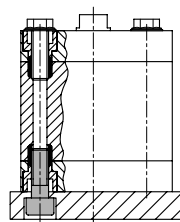


Mounting options

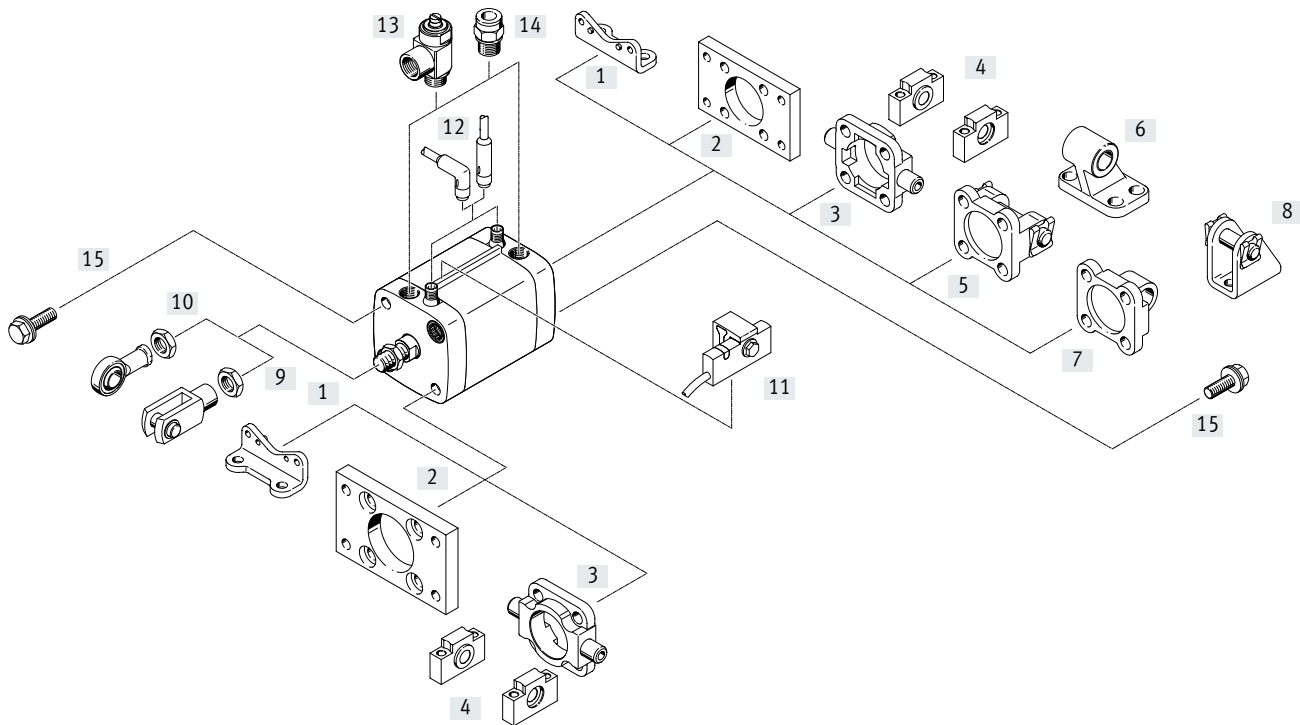
With through screws



Direct mounting



Peripherals overview



Mounting attachments and accessories

	Description	→ Page/Internet
[1]	Foot mounting HNA-...-R3	For bearing and end caps 17
[2]	Flange mounting CRFNG	For bearing or end caps 17
[3]	Trunnion flange CRZNG	For bearing or end caps in combination with trunnion supports CRLNZG 18
[4]	Trunnion supports CRLNZG	For trunnion flange CRZNG 18
[5]	Swivel flange SNCB- ... -R3	For end caps 19
[6]	Clevis foot CRLNG	For swivel flange SNCB- ... -R3 19
[7]	Swivel flange SNCL- ... -R3	For end caps 20
[8]	Clevis foot CRLBN	For swivel flange SNCL- ... -R3 20
[9]	Rod clevis CRSG	Permits a swivelling movement of the cylinder in one plane 23
[10]	Rod eye CRSGS	With spherical bearing 23
[11]	Proximity switch SMT-C1	For mounting on the sensor mounting rail 21
[12]	Connecting cable SIM-K	For electrical signal transmission and power supply 21
[13]	One-way flow control valve CRGRLA	For regulating speed 23
[14]	Push-in fittings NPQH/NPQH-L/CRQS/CRQSL	For connecting tubing with standard O.D. 22
[15]	Cover screws DAMD-P- ...	For covering unused mounting threads 23

Type codes

001	Series	
CDC	Standards-based cylinder, double-acting, based on ISO 21287, clean design	

002	Piston diameter	
20	20	
25	25	
32	32	
40	40	
50	50	
63	63	
80	80	

003	Stroke	
...	1 ... 500	

004	Piston rod thread type	
A	Male thread	
I	Female thread	

005	Cushioning	
P	Elastic cushioning rings/plates on both sides	

006	Position sensing	
	None	
A	For proximity sensor	
AIB	At both ends, integrated	
AIH	Rear, integrated	
AIV	Front, integrated	

007		
	None	
SME	SME (contacting)	

008		
	None	
R	Sensor mounting rail for external position sensing	

009	Piston rod type	
	At one end	
S2	Through piston rod	

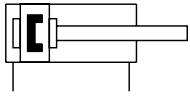
010		
	None	
...K2	1...30 mm	




011		
"M6"K5	M6	
"M8"K5	M8	
"M10"K5	M10	
"M10x1,25"K5	M10x1.25	
"M12"K5	M12	
"M16"K5	M16	
"M5"K5	M5	
"M20"K5	M20	

012		
	None	
...K8	1...500 mm	

013		
	Standard	
S6	Heat-resistant seals max. 120 °C	

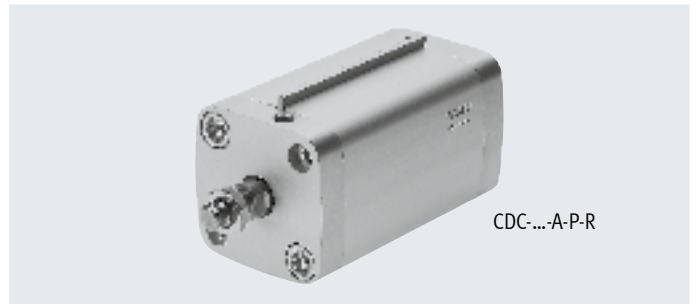
Datasheet



-  Diameter
20 ... 80 mm
-  Stroke length
1 ... 500 mm
-  www.festo.com



CDC...-A-P



CDC...-A-P-R

General technical data		20	25	32	40	50	63	80
Piston \varnothing		20	25	32	40	50	63	80
Pneumatic connection		M5	M5	G1/8	G1/8	G1/8	G1/8	G1/8
Piston rod thread		M8	M8	M10x1.25	M10x1.25	M12x1.25	M12x1.25	M16x1.5
Design		Piston						
		Piston rod						
		Cylinder barrel						
Cushioning		Elastic cushioning rings/plates at both ends						
Position sensing	A	Via proximity switch						
	AIB	At both ends, integrated						
	AIV	Front, integrated						
	AIH	Rear, integrated						
Type of mounting		With through-hole						
		With female thread						
		With accessories						
Mounting position		Any						

Operating and environmental conditions		20	25	32	40	50	63	80
Operating medium		Compressed air to ISO 8573-1:2010 [7:4:4]						
Note on the operating/ pilot medium		Lubricated operation possible (in which case lubricated operation will always be required)						
Operating pressure	[bar]	0.8 ... 10		0.6 ... 10				
	S2 [bar]	1.2 ... 10		1 ... 10			0.8 ... 10	
	S6 [bar]	1 ... 10	0.6 ... 10					
Ambient temperature ¹⁾	[°C]	-20 ... +80						
	S6 [°C]	0 ... +120						
Food-safe ²⁾		→ Supplementary material information						
CE marking (see declaration of conformity)		To EU EMC Directive						
UKCA marking (see declaration of conformity)		To UK EMC regulations						
Corrosion resistance class CRC ³⁾		3						

1) Note operating range of proximity switches.

2) Additional information: www.festo.com/sp → Certificates.3) For additional information www.festo.com/x/topic/crc

Datasheet

Forces [N] and impact energy [J]		20	25	32	40	50	63	80
Piston \varnothing		20	25	32	40	50	63	80
Theoretical force at 6 bar, advancing		188	295	483	754	1178	1870	3016
	S2	141	247	415	686	1057	1750	2827
Theoretical force at 6 bar, retracting		141	247	415	686	1057	1750	2827
Max. impact energy in the end positions		0.2	0.3	0.4	0.7	1	1.3	1.8
	S6	0.1	0.15	0.2	0.35	0.5	0.65	0.9

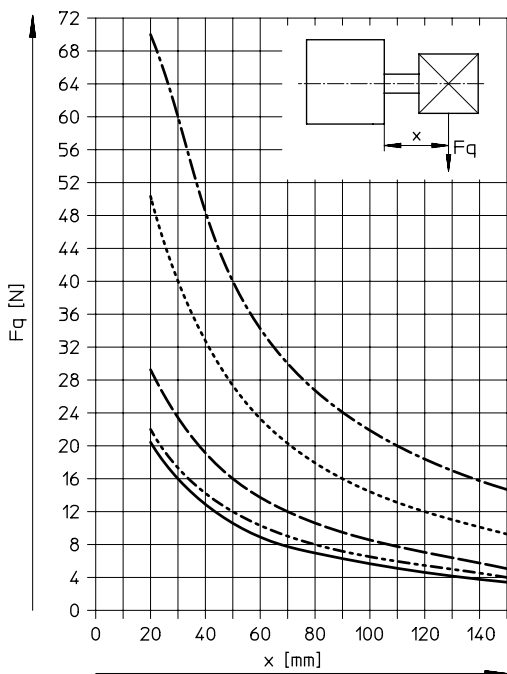
Permissible impact velocity:
$$V = \sqrt{\frac{2 \times E}{m_1 + m_2}}$$

Maximum permissible mass:
$$m_2 = \frac{2 \times E}{V^2} - m_1$$

V Permissible impact velocity
 E Max. impact energy
 m1 Moving mass (drive)
 m2 Moving payload

Note
 These specifications represent the maximum values that can be achieved. The maximum permissible impact energy must be observed.

Max. lateral force Fq as a function of projection x



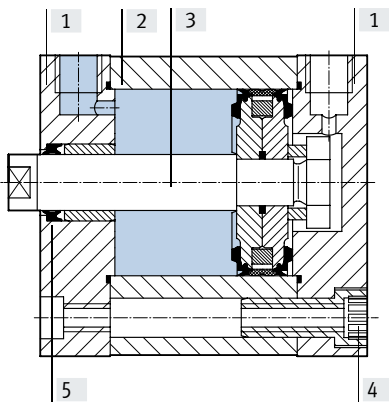
- ∅ 20
- · - · - ∅ 25
- - - ∅ 32/40
- · · · · ∅ 50/63
- · - · - ∅ 80

Datasheet

Weight [g]							
Piston ø	20	25	32	40	50	63	80
Basic version							
Product weight with 0 mm stroke	133	170	277	377	567	790	1475
Additional weight per 10 mm stroke	20	23	31	35	52	59	84
Moving mass with 0 mm stroke	24	33	53	82	128	177	367
Additional mass per 10 mm stroke	6	6	9	9	16	16	25
S2 – Through piston rod							
Product weight with 0 mm stroke	150	183	296	386	600	827	1507
Additional weight per 10 mm stroke	26	29	40	44	67	74	109
Moving mass with 0 mm stroke	34	40	64	81	144	195	367
Additional mass per 10 mm stroke	12	12	18	18	32	32	49

Materials

Sectional view



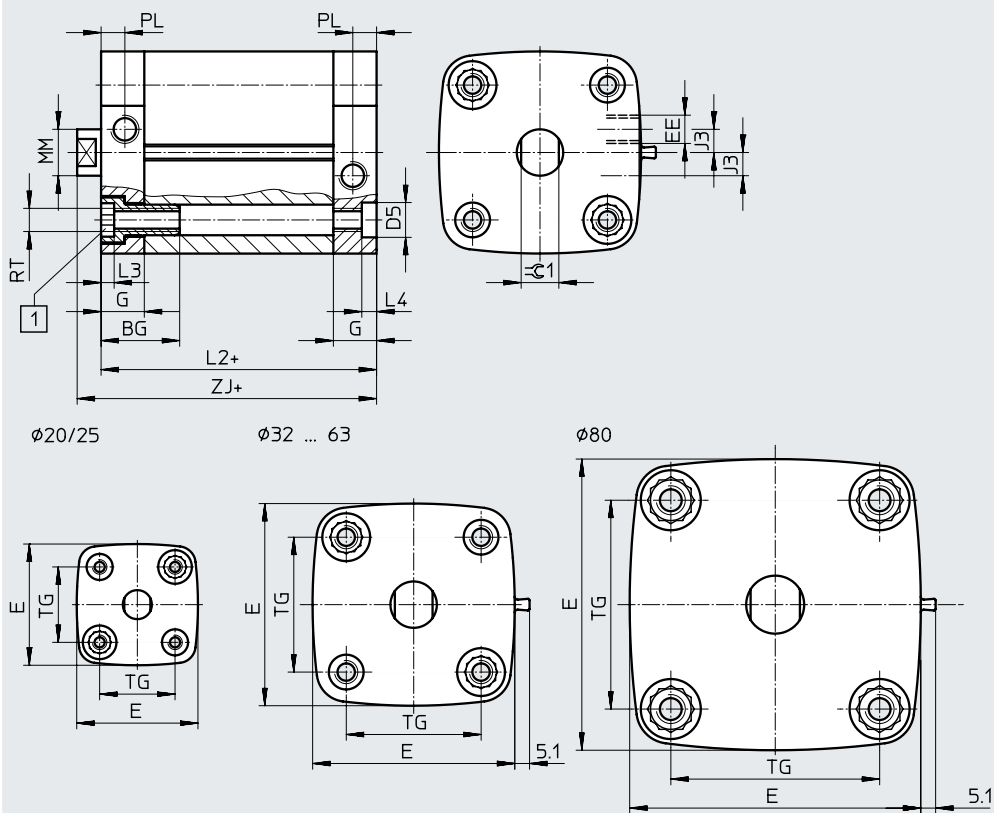
Compact cylinder	Basic version	S6
[1] Cover	Anodised aluminium	
[2] Cylinder barrel	Anodised aluminium	
[3] Piston rod	High-alloy steel	
[4] Flange screws	Corrosion-resistant steel	
[5] Seals	NBR, TPE-U (PUR) media seal (modified for resistance to hydrolysis and cleaning)	FPM
– Note on materials	Free of copper and PTFE	
LABS (PWIS) conformity	VDMA24364-B2-L	VDMA24364 zone III

Datasheet

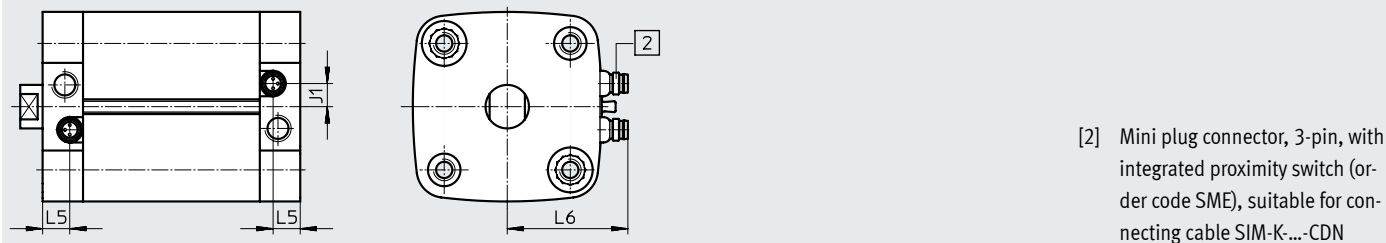
Dimensions

Download CAD data → www.festo.com

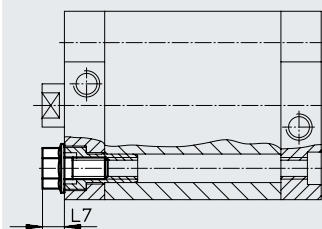
Basic version



With position sensing integrated in the end positions




Projection of the cover screw



Datasheet

∅ [mm]	BG	D5 F9	E	EE	G	J1 ±0.1	J3 ±0.1	L2	L3	L4
20	19.5	9	36.8	M5	12	–	–	37	4.4	5
25			41.8			–	–	39		
32	26		49.8	G1/8	15	5.8	7	44		
40		57.8	8			8	45			
50	27	69.7	8.5				49			
63		81.3	12				54			
80		–	100.4	16.5	15	8	–			

∅ [mm]	L5	L6 ±2	L7	MM ∅ h8	PL ±0.1	RT	TG	ZJ +1	≡G1 h13
20	–	–	7	10	6	M5	22	42.7	9
25							26	44.7	
32	10	35	8.7	12	8.2	M6	32.5	50.2	10
40		39					38	51.2	
50		45	10.3	16		M8	46.5	53.2	13
63		50					56.5	57.2	
80	11.5	60	11.9	20	M10	72	63	17	

 **Note**

If used with a swivel mounting on the end cap, the following maximum stroke lengths should be noted:

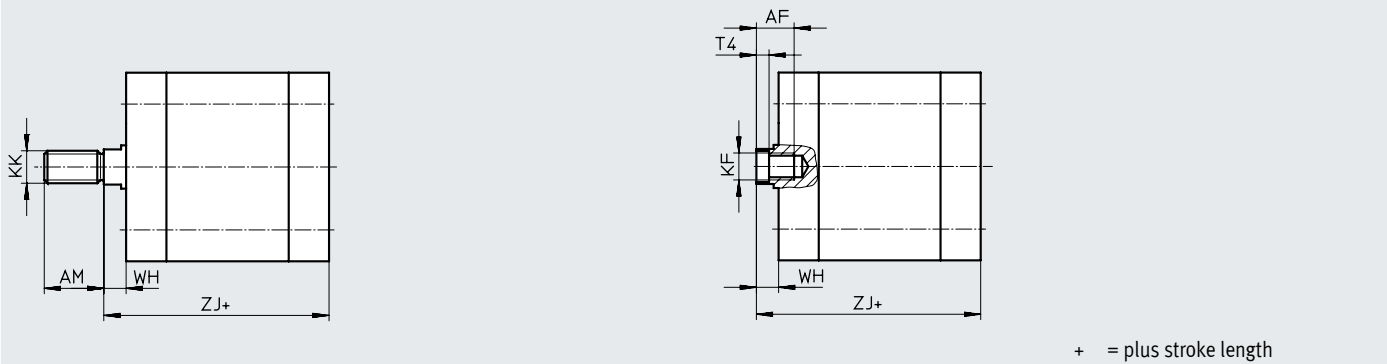
∅ [mm]	20	25	32	40	50	63	80
Max. stroke length	50		100			150	

Datasheet

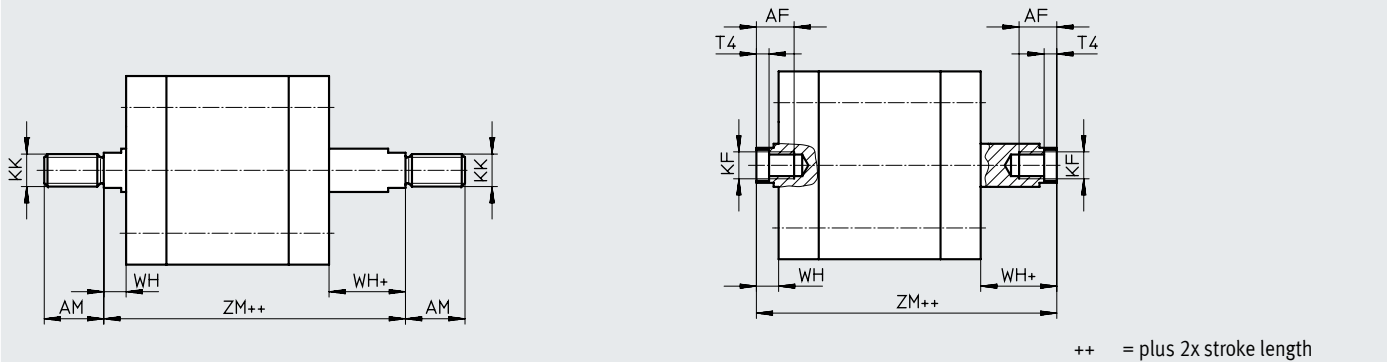
Dimensions – Variants

Download CAD data → www.festo.com

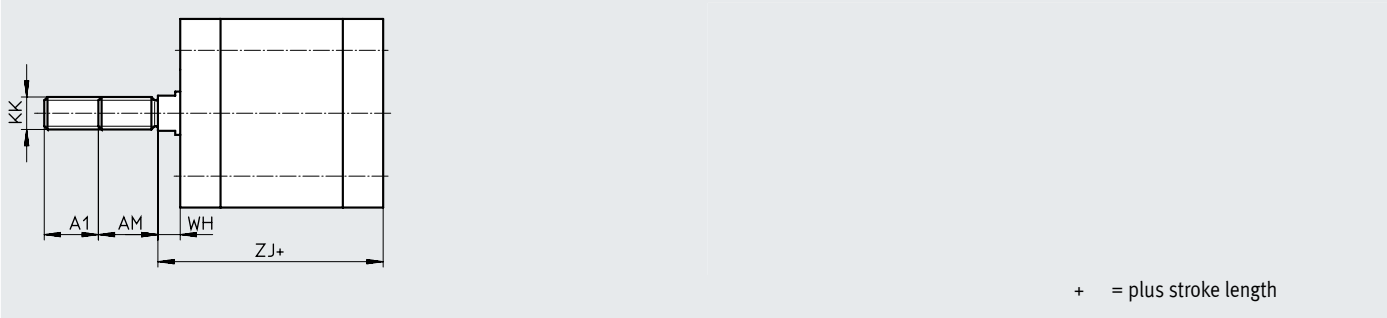
Basic version



S2 – Through piston rod



K2 – Extended male piston rod thread



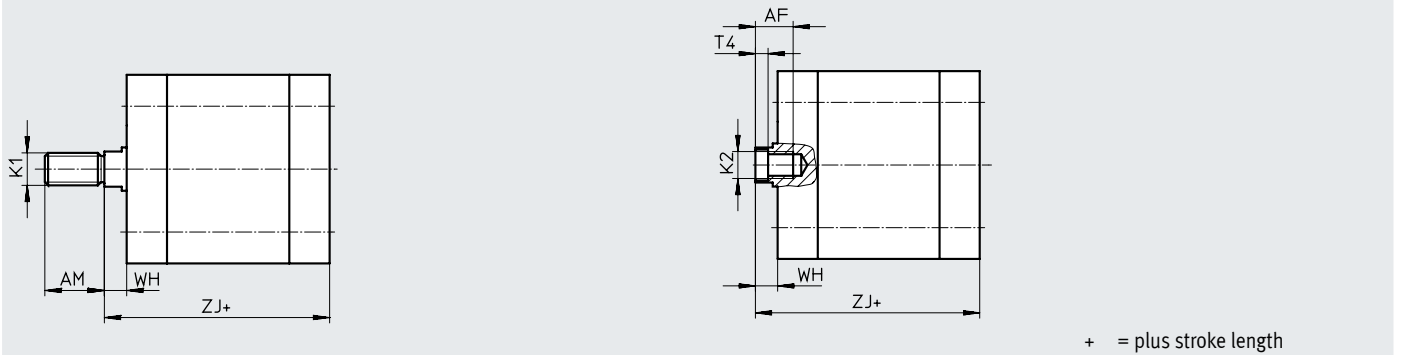
∅	A1	AF	AM	KF	KK	T4	WH	ZJ	ZM
[mm]		min.	-0.5				+1	+1	
20	1 ... 20	14	16	M6	M8	2.6	5.7	42.7	49.8
25								44.7	51.8
32		16	19	M8	M10x1.25	3.3	6.2	50.2	57.8
40								51.2	58.9
50								53.2	63.1
63	20	22	M10	M12x1.25	4.7	8.2	57.2	66.9	
80							63	73.5	
	1 ... 30		28	M12	M16x1.5	6.1	9		

Datasheet

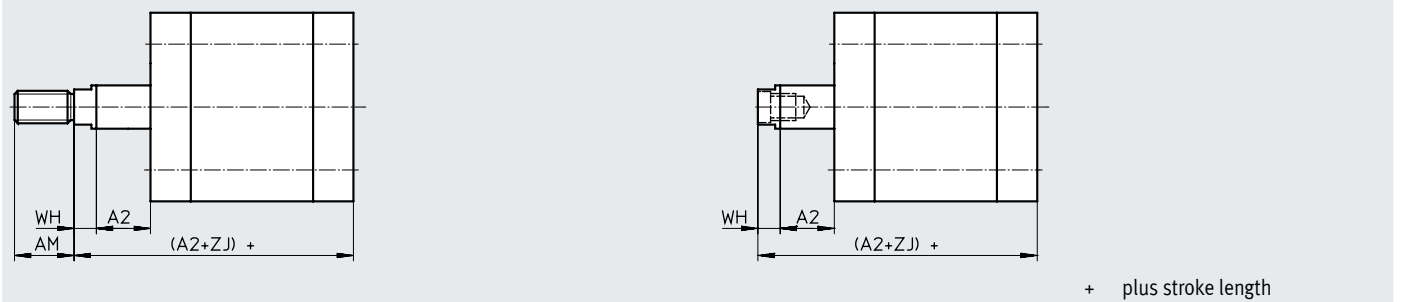
Dimensions – Variants

Download CAD data → www.festo.com

K5 – Custom piston rod thread



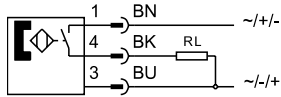
K8 – Extended piston rod



∅	AF	A2	AM	K1	K2	T4	WH	ZJ
[mm]	min.		-0.5				+1	+1
20	14	1 ... 300	16	M10, M10x1.25	M5	2.6	5.7	42.7
25								44.7
32	16	1 ... 400	19	M10, M12	M6	3.3	6.2	50.2
40								51.2
50	20	1 ... 400	22	M12, M12	M8	4.7	8.2	53.2
63								57.2
80								63
		1 ... 500	28	M16, M20	M10	6.1	9	

Datasheet

Proximity switch
Magnetic reed
(order code SME)



Note

The proximity switch can only be ordered using the order code AIB, AIV and AIH (integrated position sensing) via the modular product system.



Technical data

General		
Design		Built in
Based on standard		EN 60947-5-2
CE marking (see declaration of conformity)		To EU EMC Directive
Note on materials		Free of copper and PTFE
Input signal/measuring element		
Measuring principle		Magnetic reed
Ambient temperature	[°C]	-20 ... +60
Switching output		
Switching output		Contacting, bipolar
Switching element function		N/O
Reproducibility of switching value	[mm]	±0.1
Hysteresis	[mm]	1 ... 4 depending on the cylinder
Switch-on time	[ms]	0.5
Switch-off time	[ms]	0.5
Max. output current	[mA]	500
Max. switching capacity AC	[W]	10 VA
Max. switching capacity DC	[W]	10 W
Inductive protective circuit		Adapted to MZ coil with LED
Residual current	[mA]	0
Output, additional data		
Short circuit current rating		No
Overload protection		No
Electronics		
Operating voltage range	[V AC]	12 ... 30
	[V DC]	12 ... 30
Reverse polarity protection		No
Electromechanics		
Electrical connection		1x M8 plug, 3-pin
Outlet direction of connection		Lateral
Information on pin contact materials		Gold-plated brass

Datasheet

Technical data		
Mechanical systems		
Tightening torque	[Nm]	0.3
Mounting position		Any
Product weight	[g]	2.7
Information on housing materials		Polyamide, epoxy resin, nickel-plated brass
Display/operation		
Switching status indication		Yellow LED
Immission/Emission		
Degree of protection		IP65, IP67, to EN 60529
		IP69K, to DIN 40050 part 9
		Only in combination with connecting cable SIM-K...-CDN
Corrosion resistance class CRC ¹⁾		3

1) For additional information www.festo.com/x/topic/crc

Ordering data – Modular product system

Ordering table										
Size	20	25	32	40	50	63	80	Conditions	Code	Enter code
Module no.	543305	543306	543307	543308	543309	543310	543311			
Function	Standards-based cylinder, double-acting, based on ISO 21287 (clean design)								CDC	CDC
Piston ø [mm]	20	25	32	40	50	63	80		-...	
Stroke [mm]	1 ... 300		1 ... 400			1 ... 500			-...	
Piston rod thread	Male thread								-A	
	Female thread							[1]	-I	
Cushioning	Elastic cushioning rings/plates at both ends								-P	-P
Position sensing	Without position sensing		-	-	-	-	-			
	-	-	Via proximity switch						-A	
	-	-	At both ends, integrated					[2]	-AIB	
	-	-	Front, integrated					[2]	-AIV	
	-	-	Rear, integrated					[2]	-AIH	

[1] I Not with extended male thread K2

[2] AIB, AIV, AIH Only with proximity switch SME

Ordering data – Modular product system

Ordering table		20	25	32	40	50	63	80	Conditions	Code	Enter code	
Proximity switch		–	–	SME (contacting)					[3]	-SME		
Sensor mounting rail		–	–	Sensor mounting rail for external position sensing					[4]	-R		
Piston rod type		Through piston rod									-S2	
Extended male thread		Extended male piston rod thread										
[mm]		1 ... 20				1 ... 30					-...K2	
Custom thread on the piston rod	Male thread	M10x1.25	M10	M12	M16	M16	M20			-“...”K5		
	Female thread	M5	M6	M8	M10							
Extended piston rod		Extended piston rod										
[mm]		1 ... 300			1 ... 400		1 ... 500		[5]		-...K8	
Temperature resistance		Heat-resistant seals max. 120°C								[6]	-S6	

[3] SME Only with position sensing AIB, AIV, AIH.
Minimum stroke 15 mm

[4] R Must be selected for size 32, 40, 50, 63, 80

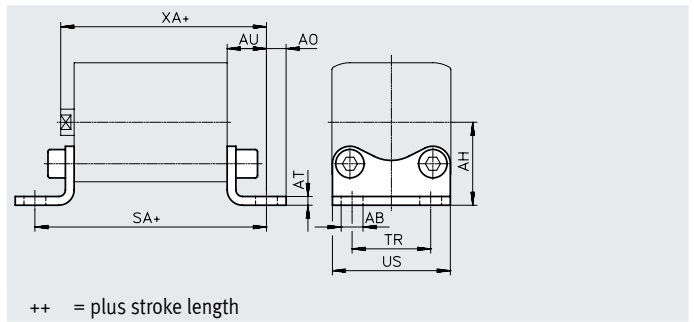
[5] K8 The sum of the stroke length and piston rod extension must not exceed the maximum permissible stroke length

[6] S6 Not with position sensing AIB, AIV, AIH

Accessories

Foot mounting HNA-...-R3

Material:
Steel with protective coating
Free of copper and PTFE
RoHS-compliant



Dimensions and ordering data

For \varnothing [mm]	AB \varnothing H14	AH JS14	AO	AT ± 0.5	AU ± 0.2	SA	TR ± 0.2
20	7	27	6.25	4	16	69	22
25		29				71	26
32		33.5				76	32
40	10	38	9	5	21	81	36
50		45	8			87	45
63		50	91			50	
80	12	63	10.5	6	26	106	63

For \varnothing [mm]	US -0.5	XA	CRC ¹⁾	Weight [g]	Part no.	Type
20	34.5	59	3	84	537254	HNA-20-R3
25	38.5	61	3	90	537255	HNA-25-R3
32	46	66	3	123	537256	HNA-32-R3
40	54	69	3	157	537257	HNA-40-R3
50	64	74	3	278	537258	HNA-50-R3
63	75	78	3	328	537259	HNA-63-R3
80	93	89	3	634	537260	HNA-80-R3

1) For additional information www.festo.com/x/topic/crc

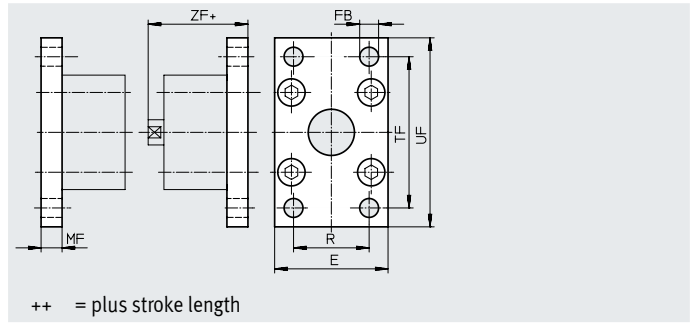
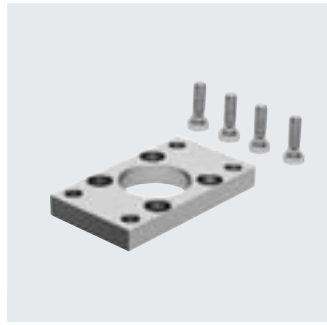
Note

Screws with a special length are required to mount diameter 80 mm, → page 23

Accessories

Flange mounting CRFNG


Material:
High-alloy steel
Free of copper and PTFE



Dimensions and ordering data						
For \varnothing [mm]	E	FB \varnothing H13	MF	R	TF	UF
32	45	7	10	32	64	80
40	54	9	10	36	72	90
50	65	9	12	45	90	110
63	75	9	12	50	100	120
80	93	12	16	63	126	150

For \varnothing [mm]	ZF	CRC ¹⁾	Weight [g]	Part no.	Type
32	54	4	220	161846	CRFNG-32
40	55	4	291	161847	CRFNG-40
50	57	4	526	161848	CRFNG-50
63	61	4	680	161849	CRFNG-63
80	70	4	1508	161850	CRFNG-80

1) For additional information www.festo.com/x/topic/crc

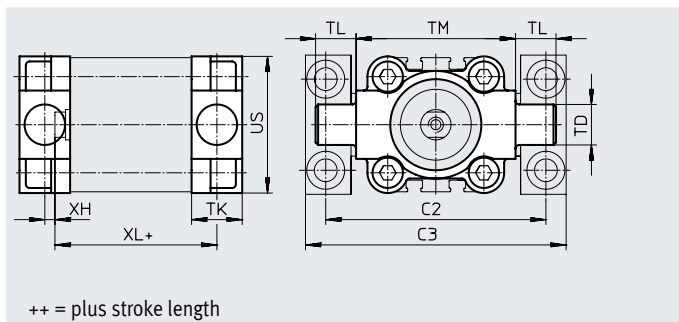
 **Note**

Screws with a special length are required to mount diameter 80 mm, → page 23

Accessories

Trunnion flange CRZNG

Material:
CRZNG: Electropolished stainless steel casting
Free of copper and PTFE
RoHS-compliant



Dimensions and ordering data

For \varnothing [mm]	C2	C3	TD \varnothing e9	TK	TL	TM	US	XH	XL	CRC ¹⁾	Weight [g]	Part no.	Type
32	71	86	12	16	12	50	45	2	52	4	150	161852	CRZNG-32
40	87	105	16	20	16	63	54	4	55	4	285	161853	CRZNG-40
50	99	117	16	24	16	75	64	4	57	4	473	161854	CRZNG-50
63	116	136	20	24	20	90	75	4	61	4	687	161855	CRZNG-63
80	136	156	20	28	20	110	93	5	81	4	1296	161856	CRZNG-80

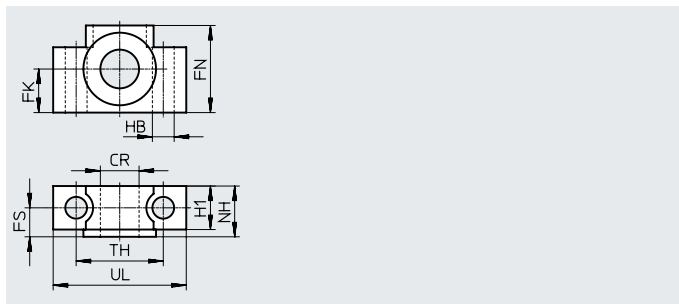
1) For additional information www.festo.com/x/topic/crc

Note

Screws with a special length are required to mount diameter 80 mm, → page 23

Trunnion supports CRLNZG

Material:
High-alloy steel
Free of copper and PTFE
RoHS-compliant



Dimensions and ordering data

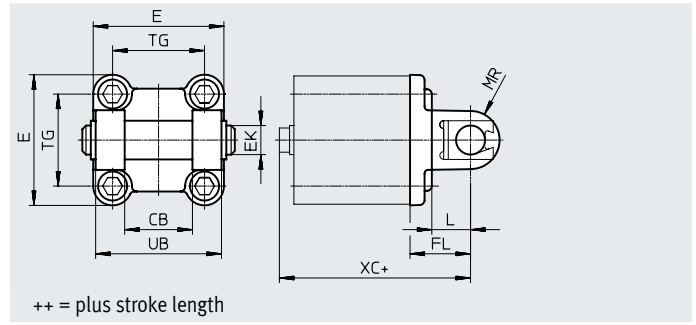
For \varnothing [mm]	CR \varnothing D11	FK \varnothing ± 0.1	FN	FS	H1	HB \varnothing H13	NH	TH ± 0.2	UL	CRC ¹⁾	Weight [g]	Part no.	Type
32	12	15	30	10.5	15	6.6	18	32	46	4	205	161874	CRLNZG-32
40, 50	16	18	36	12	18	9	21	36	55	4	323	161875	CRLNZG-4 0/50
63, 80	20	20	40	13	20	11	23	42	65	4	435	161876	CRLNZG-6 3/80

1) For additional information www.festo.com/x/topic/crc

Accessories

Swivel flange SNCB-...-R3

Material:
Die-cast aluminium with protective coating, high corrosion protection
Free of copper and PTFE
RoHS-compliant



Dimensions and ordering data												
For \varnothing	CB	EK \varnothing	FL	L	MR	UB	XC	CRC ¹⁾	Weight	Part no.	Type	
[mm]	H14	e8	± 0.2			h14			[g]			
32	26	10	22	13	8.5	45	72	3	100	176944	SNCB-32-R3	
40	28	12	25	16	12	52	76	3	151	176945	SNCB-40-R3	
50	32	12	27	16	12	60	80	3	228	176946	SNCB-50-R3	
63	40	16	32	21	16	70	89	3	371	176947	SNCB-63-R3	
80	50	16	36	22	16	90	99	3	632	176948	SNCB-80-R3	

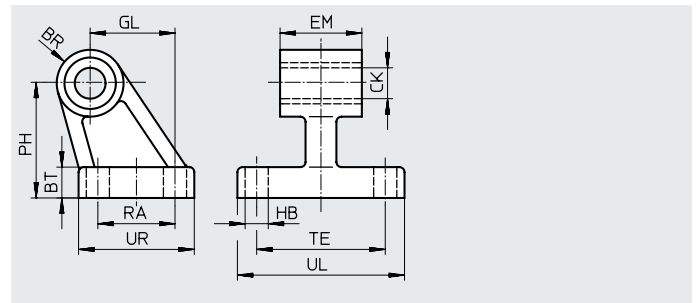
1) For additional information www.festo.com/x/topic/crc

Note

Screws with a special length are required to mount diameter 80 mm, → page 23

Clevis foot CRLNG

Material:
High-alloy steel
Free of copper and PTFE



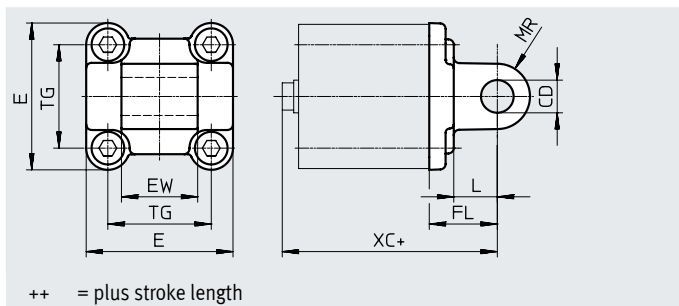
Dimensions and ordering data															
For \varnothing	BR	BT	CK \varnothing	EM	GL	HB \varnothing	PH	RA	TE	UL	UR	CRC ¹⁾	Weight	Part no.	Type
[mm]			D11	-0.4		H13							[g]		
32	10	8	10	25.8	21	6.6	32	18	38	51	31	4	133	161840	CRLNG-32
40	11	10	12	27.8	24	6.6	36	22	41	54	35	4	161	161841	CRLNG-40
50	12	12	12	31.8	33	9	45	30	50	65	45	4	281	161842	CRLNG-50
63	15	12	16	39.8	37	9	50	35	52	67	50	4	370	161843	CRLNG-63
80	15	14	16	49.8	47	11	63	40	66	86	60	4	562	161844	CRLNG-80

1) For additional information www.festo.com/x/topic/crc

Accessories

Swivel flange SNCL-...-R3

Material:
 SNCL-...-R3: Die-cast aluminium with protective coating
 Free of copper and PTFE
 RoHS-compliant

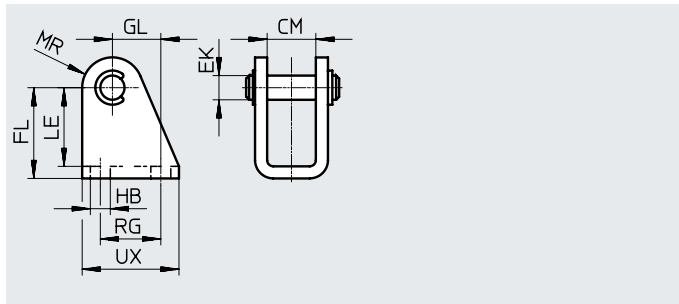
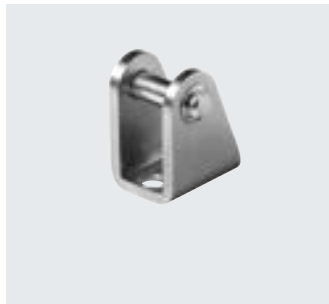


Dimensions and ordering data										
For \varnothing	CD	EW	FL	L	MR	XC	CRC ¹⁾	Weight	Part no.	Type
[mm]	\varnothing H9	h12	± 0.2					[g]		
20	8	16	20	14	8	63	3	38	537796	SNCL-20-R3
25						65	3	41	537797	SNCL-25-R3

1) For additional information www.festo.com/x/topic/crc

Clevis foot CRLBN, stainless steel

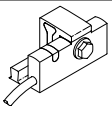
Material:
 High-alloy steel
 Free of copper and PTFE

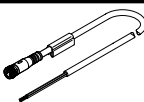
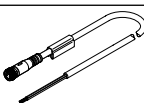
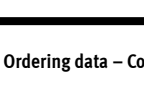
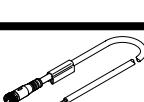


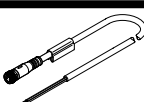
Dimensions and ordering data													
For \varnothing	CM	EK	FL	GL	HB	LE	MR	RG	UX	CRC ¹⁾	Weight	Part no.	Type
[mm]		\varnothing									[g]		
2 0/25	16.1	8	30 +0.4/-0.2	16	6.6	26	10	20	32	4	82	161863	CRLBN-2 0/25

1) For additional information www.festo.com/x/topic/crc



Accessories

Ordering data – Proximity switch for T-slot, magneto-resistive						Datasheets → Internet: smt
	Type of mounting	Switching output	Electrical connection	Cable length [m]	Part no.	Type
N/O						
	Fitted on the mounting rail	PNP	Cable, 3-core	5.0	571339	SMT-C1-PS-24V-K-5.0-OE
			1x M8 plug, 3-pin	0.3	571342	SMT-C1-PS-24V-K-0.3-M8D
			1x M12 plug, 3-pin	0.3	571341	SMT-C1-PS-24V-K-0.3-M12


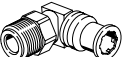
Ordering data – Connecting cables for SMT-C1-...						Datasheets → Internet: nebu
	Electrical connection, left	Electrical connection, right	Cable length [m]	Part no.	Type	
	Straight socket, M8x1, 3-pin	Cable, open end, 3-core	2.5	541333	NEBU-M8G3-K-2.5-LE3	
			5	541334	NEBU-M8G3-K-5-LE3	
	Straight socket, M12x1, 5-pin	Cable, open end, 3-core	2.5	541363	NEBU-M12G5-K-2.5-LE3	
			5	541364	NEBU-M12G5-K-5-LE3	
	Angled socket, M8x1, 3-pin	Cable, open end, 3-core	2.5	541338	NEBU-M8W3-K-2.5-LE3	
			5	541341	NEBU-M8W3-K-5-LE3	
	Angled socket, M12x1, 5-pin	Cable, open end, 3-core	2.5	541367	NEBU-M12W5-K-2.5-LE3	
			5	541370	NEBU-M12W5-K-5-LE3	

Ordering data – Connecting cables for integrated proximity switches						Datasheets → Internet: sim
	Electrical connection, left	Electrical connection, right	Cable length [m]	Part no.	Type	
	Angled socket, clip, 3-pin	Cable, open end, 3-core	5	164254	SIM-K-WD-5-PU	

Accessories

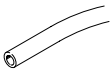
Ordering data – Push-in fittings				Datasheets → Internet: qs			
	Port		Material	Weight [g]	Part no.	Type	PU ³⁾
	Thread	Tubing O.D.					
With external hex							
	M5	4	Nickel-plated brass, with sealing ring	–	578334	NPQH-D-M5-Q4-P10	10
		6		–	578335	NPQH-D-M5-Q6-P10	
	G1/8	4		6.1	578338	NPQH-D-G18-Q4-P10	
		6		9	578339	NPQH-D-G18-Q6-P10	
		8		11.4	578340	NPQH-D-G18-Q8-P10	
	M5	4	Stainless steel	6	162860	CRQS-M5-4 ¹⁾	1
		6		8.4	162861	CRQS-M5-6 ¹⁾	
	R1/8	6		9.9	162862	CRQS-1/8-6 ²⁾	
		8		12	162863	CRQS-1/8-8 ²⁾	


- 1) With sealing ring
- 2) With PTFE coating
- 3) Packaging unit


Ordering data – Push-in L-fittings				Datasheets → Internet: qs			
	Port		Material	Weight [g]	Part no.	Type	PU ³⁾
	Thread	Tubing O.D.					
With external hex							
	M5	4	Nickel-plated brass, with sealing ring	8.8	578276	NPQH-L-M5-Q4-P10	10
		6		11.9	578277	NPQH-L-M5-Q6-P10	
	G1/8	4		15.7	578280	NPQH-L-G18-Q4-P10	
		6		18.5	578281	NPQH-L-G18-Q6-P10	
		8		22	578282	NPQH-L-G18-Q8-P10	
	M5	4	Stainless steel	12	162870	CRQSL-M5-4 ¹⁾	1
		6		18	162871	CRQSL-M5-6 ¹⁾	
	R1/8	6		19	162872	CRQSL-1/8-6 ²⁾	
		8		26	162873	CRQSL-1/8-8 ²⁾	

- 1) With sealing ring
- 2) With PTFE coating
- 3) Packaging unit

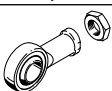
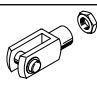
Accessories


Ordering data – Plastic tubing, standard O.D.			Datasheets → Internet: tubing	
		Type		
	Good resistance to chemicals and hydrolysis	PLN		
	Pneumatic tubing with resistance to high temperatures and chemicals	PFAN		
	Approved for use in the food zone and resistant to hydrolysis	PUN-H		

Ordering data – One-way flow control valves				Datasheets → Internet: crgla	
	Port Thread	For push-in fitting	Material	Weight [g]	Part no. Type
		M5	CRQS/CRQSL/CRQST, QS	Electropolished stainless steel	10.2
G1/8			casting	37.8	161404 CRGRLA-1/8-B

Ordering data – Cover screws, corrosion-resistant						
	For ø	Material	CRC ¹⁾	Weight [g]	Part no. Type	PU ³⁾
	20, 25	High-alloy steel	3	5.5	543714 DAMD-P-M5-10-R1²⁾	4
	32, 40			9	543715 DAMD-P-M6-12-R1²⁾	
	50, 63			17.5	543716 DAMD-P-M8-16-R1²⁾	
	80			30	543717 DAMD-P-M10-16-R1²⁾	

- 1) For additional information www.festo.com/x/topic/crc
- 2) With sealing ring
- 3) Packaging unit

Ordering data – Corrosion and acid-resistant piston rod attachments				Datasheets → Internet: crsg			
Designation	For ø	Part no.	Type	Designation	For ø	Part no.	Type
Rod eye CRSGS				Rod clevis CRSG			
	20, 25	195581	CRSGS-M8		20, 25	13568	CRSG-M8
	32, 40	195582	CRSGS-M10x1.25		32, 40	13569	CRSG-M10x1.25
	50, 63	195583	CRSGS-M12x1.25		50, 63	13570	CRSG-M12x1.25
	80	195584	CRSGS-M16x1.5		80	13571	CRSG-M16x1.5

Ordering data – Screws				PU ¹⁾	
	For ø	For accessories	Part no.		
	80	HNA-R3, SNCB-R3	372622	DIN 912-M10X30-A4-70	1
		CRFNG	8028230	DIN 6912-M10X30-A4-70	
		CRZNG	744814	DIN 912-M10X40-A4-70	

- 1) Packaging unit