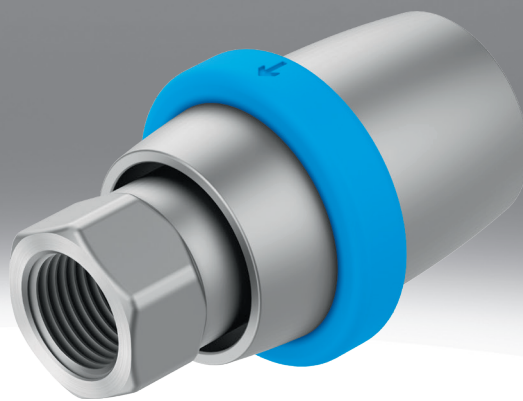


Hand slide valve VBOH

FESTO



Characteristics

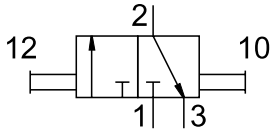
At a glance

Hand slide valves VBOH are used as a shut-off function for pressurising and exhausting compressed air systems, for example upstream of service unit component combinations, for air guns and also for exhausting pneumatic cylinders.

- Non-overlapping, so no pressure losses when switching
- Minimal installation costs
- High flow rate and operating pressure

Valve function

[3/2] 3/2-way valve



3/2-way valve, bistable

Type code

001	Series
VBOH	Hand slide valve

002	Valve function
32	3/2-way valve

003	Pneumatic connection 1
G12	G1/2
G14	G1/4
G18	G1/8
G34	G3/4
G38	G3/8
M5	M5

Datasheet

General technical data

Valve function	3/2 double solenoid					
Pneumatic connection, port 1	M5	G1/8	G1/4	G3/8	G1/2	G3/4
Pneumatic connection, port 2	M5	G1/8	G1/4	G3/8	G1/2	G3/4
Design	Sleeve valve					
Type of actuation	Manual					
Actuating force	14 N	17 N	45 N	41 N	37 N	70 N
Type of mounting	In-line installation Screw-in					
Mounting position	optional					
Sealing principle	Soft					
Type of piloting	Direct					

Operating and environmental conditions

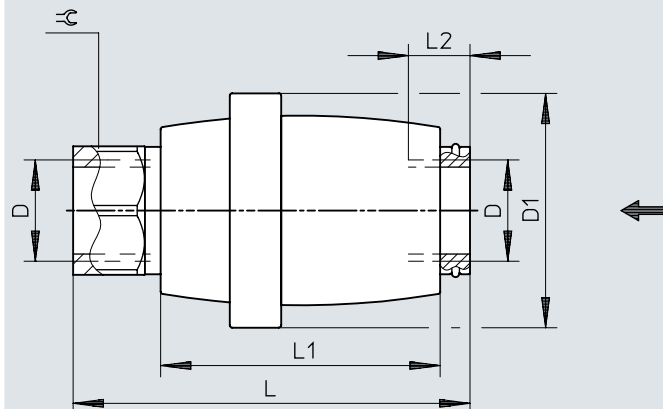
Pneumatic connection, port 1	M5	G1/8	G1/4	G3/8	G1/2	G3/4
Operating pressure	-0.095 ... 1.2 MPa					
Operating pressure	-0.95 ... 12 bar					
Operating pressure	-13.775 ... 174 psi					
Operating medium	Compressed air to ISO 8573-1:2010 [7:4:4]					
Note on operating and pilot medium	Lubricated operation possible (in which case lubricated operation will always be required)					
Ambient temperature	-10 ... 80°C					
Media temperature	-10 ... 80°C					
Standard nominal flow rate	236 l/min	777 l/min	1,675 l/min	2,201 l/min	3,420 l/min	7,691 l/min
Corrosion resistance class CRC	2 - Moderate corrosion stress					

Materials

Material housing	Anodised wrought aluminium alloy
Material screwed plug	Anodised wrought aluminium alloy
Material seals	NBR
Note on materials	RoHS-compliant
LABS (PWIS) conformity	VDMA24364-B2-L


Dimensions

Dimensions – Hand slide valve

Download CAD data → www.festo.com

	D	D1 ∅	L	L1	L2	≡
VBOH-32-M5	M5	17	35,6	24,5	5	8
VBOH-32-G18	G1/8	24	38,5	27	9	13
VBOH-32-G14	G1/4	31	52,5	37	13	17
VBOH-32-G38	G3/8	39,5	60,5	42	13,5	22
VBOH-32-G12	G1/2	45	60,5	42	15	27
VBOH-32-G34	G3/4	57,5	82	56,5	17	32

Ordering data

Ordering data						
	Pneumatic connection, port 1	Pneumatic connection, port 2	Standard nominal flow rate	Product weight	Part no.	Type
	M5	M5	236 l/min	8 g	1609969	VBOH-32-M5
	G1/8	G1/8	777 l/min	17 g	1558073	VBOH-32-G18
	G1/4	G1/4	1,675 l/min	35 g	1302994	VBOH-32-G14
	G3/8	G3/8	2,201 l/min	70 g	1482679	VBOH-32-G38
	G1/2	G1/2	3,420 l/min	90 g	1587988	VBOH-32-G12
	G3/4	G3/4	7,691 l/min	183 g	1629664	VBOH-32-G34