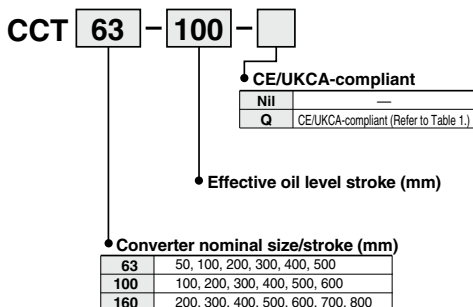


Air-hydro Converter

CCT Series



How to Order



Specifications

Operating pressure	0 to 0.7 MPa
Proof pressure	1.05 MPa
Ambient and fluid temperature	5 to 50°C
Fluid	Turbine oil (40 to 100 mm ² /s)

Converter Standard Effective Oil Level Stroke/Effective Volume (cm³)

Converter nominal size (mm)	Standard effective oil level stroke (mm)								Limited flow* (dm ³ /min)	
	50	100	200	300	400	500	600	700		800
63	150	300	600	890	1190	1480	—	—	—	36
100	—	750	1510	2260	3010	3770	4520	—	—	88
160	—	—	3660	5490	7320	9150	10980	12810	14640	217

* Limited flow shows the limit of converter oil level speed (200 mm/s) which can maintain stability of converter oil level.

Table 1 CE/UKCA-compliant

Applicable model	CE/UKCA marking applicable standard
CCT160-400 to 800	Directive 97/23/EC Category I

CCT40 — Effective oil level stroke

Because the CCT40 is a converter for an actuator with a small capacity, it cannot be made into an air-hydro unit. Instead, use an individual CC valve unit or a speed controller (AS2000, AS3000, AS4000, etc.) through a pipe connection.



Specifications

Operating pressure	0 to 0.7 MPa
Proof pressure	1.05 MPa
Ambient and fluid temperature	5 to 50°C
Fluid	Turbine oil (40 to 100 mm ² /s)
Nominal size	40 mm

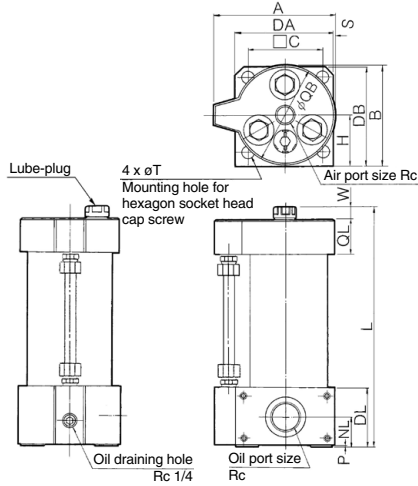
Converter Standard Effective Oil Level Stroke/Effective Volume

Standard effective oil level stroke (mm)	50	100	150	200	300
Effective volume (cm ³)	60	120	180	250	370
Limited flow (dm ³ /min)	15				

* Limited flow shows the limit of converter oil level speed (200 mm/s) which can maintain stability of converter oil level.

Dimensions

CCT63/CCT100/CCT160



Model	Air port size Rc	Oil port size Rc	A	B	□C	DA	DB	DL	H	NL	P	QB	QL	S	T*	W
CCT63-□	3/8	3/4	104	88	64	86	88	53	45	28	3	86	30	0	11	9.5
CCT100-□	1/2	1	139	125	92	116	123	61	65	33	5	120	32	2	13	7
CCT160-□	3/4	1 1/4	202.5	185	144	180	183	60	93	29	0	185	46	2	20	7

(mm)

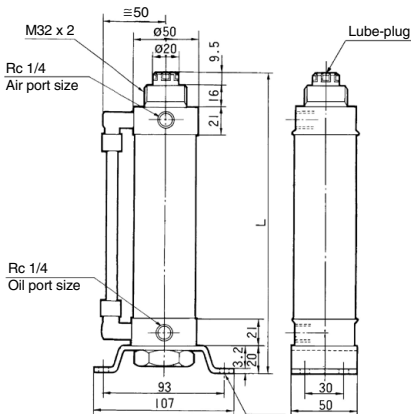
L Dimension

Effective oil level stroke (mm)	50	100	200	300	400	500	600	700	800
CCT63-□	228.5	278.5	378.5	503.5	603.5	728.5	—	—	—
CCT100-□	—	286	386	511	611	736	836	—	—
CCT160-□	—	—	399	524	624	749	849	949	1049

(mm)

* Hexagon socket head cap screw is used for mounting.

CCT40



L Dimension (Effective oil level stroke)

Effective oil level stroke (mm)	50	100	150	200	300
L	213.5	263.5	313.5	363.5	463.5

(mm)