

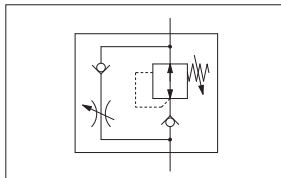
Air Saving Valve Pressure Valve Flow Valve

Series ASR / Series ASQ

Pressure valve: Series ASR



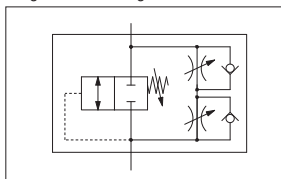
Regulator with check valve and flow control valve integrated into a single construction



Flow valve: Series ASQ



Pilot valve and two-way flow control valve integrated into a single construction



How to Order

ASR	4	3	0	F	-02-	06	S	-F20-																																			
<p>Model</p> <table border="1"> <tr><td>ASR</td><td>Pressure valve</td></tr> <tr><td>ASQ</td><td>Flow valve</td></tr> </table> <p>Body size</p> <table border="1"> <tr><td>4</td><td>1/4 standard</td></tr> <tr><td>5</td><td>3/8 standard</td></tr> <tr><td>6</td><td>1/2 standard</td></tr> </table> <p>Type</p> <table border="1"> <tr><td>3</td><td>Universal</td></tr> </table> <p>With One-touch fitting</p> <p>With seal</p> <p>Applicable tubing O.D.</p> <table border="1"> <tr><td>06</td><td>6 mm</td></tr> <tr><td>08</td><td>8 mm</td></tr> <tr><td>10</td><td>10 mm</td></tr> <tr><td>12</td><td>12 mm</td></tr> </table> <p>Option</p> <table border="1"> <tr><td>NII</td><td>Variable set pressure type (0.1 to 0.3 MPa)</td></tr> <tr><td>F20</td><td>Fixed set pressure type (0.2 MPa)</td></tr> </table> <p>Lock nut option</p> <table border="1"> <tr><td>NII</td><td>Hexagon lock nut</td></tr> <tr><td>J</td><td>Round lock nut</td></tr> </table> <p>Port size</p> <table border="1"> <tr><td>02</td><td>R1/4</td></tr> <tr><td>03</td><td>R3/8</td></tr> <tr><td>04</td><td>R1/2</td></tr> </table>										ASR	Pressure valve	ASQ	Flow valve	4	1/4 standard	5	3/8 standard	6	1/2 standard	3	Universal	06	6 mm	08	8 mm	10	10 mm	12	12 mm	NII	Variable set pressure type (0.1 to 0.3 MPa)	F20	Fixed set pressure type (0.2 MPa)	NII	Hexagon lock nut	J	Round lock nut	02	R1/4	03	R3/8	04	R1/2
ASR	Pressure valve																																										
ASQ	Flow valve																																										
4	1/4 standard																																										
5	3/8 standard																																										
6	1/2 standard																																										
3	Universal																																										
06	6 mm																																										
08	8 mm																																										
10	10 mm																																										
12	12 mm																																										
NII	Variable set pressure type (0.1 to 0.3 MPa)																																										
F20	Fixed set pressure type (0.2 MPa)																																										
NII	Hexagon lock nut																																										
J	Round lock nut																																										
02	R1/4																																										
03	R3/8																																										
04	R1/2																																										

Model

Model		Port size	Applicable tubing O.D. (mm)			
Pressure valve	Flow valve		6	8	10	12
ASR430F-02	ASQ430F-02	R1/4	●	●	●	
ASR530F-02	ASQ530F-02	R1/4	●	●	●	●
ASR530F-03	ASQ530F-03	R3/8	●	●	●	●
ASR630F-03	ASQ630F-03	R3/8			●	●
ASR630F-04	ASQ630F-04	R1/2			●	●

Specifications

Fluid		Air
Proof pressure		1.5 MPa
Maximum operating pressure		1.0 MPa
Set pressure range	Variable	0.1 to 0.3 MPa
	Fixed (option)	0.2 MPa
Ambient and fluid temperature		-5 to 60°C (with no freezing)
Applicable tubing material		Nylon, Soft nylon, Polyurethane

AS

TMH

ASD

AS

AS-FE

KE

AS-FG

AS-FP

AS-FM

AS-D

AS-T

ASP

ASN

AQ

ASV

AK

VCHC

ASS

ASR

ASQ

Series ASR/Series ASQ

Effective Area

Pressure Valve: Series ASR

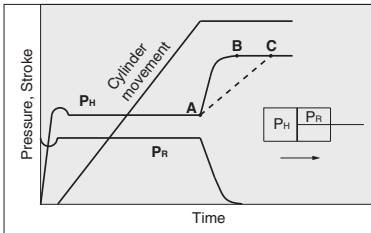
Type	Free flow		Controlled flow	
	Sonic conductance dm ³ /(s·bar)	Critical pressure ratio	Sonic conductance dm ³ /(s·bar)	Critical pressure ratio
ASR430F-02-06S(-F20)	1	0.2	1.1	0.25
ASR430F-02-08S(-F20)	1.1		1.2	
ASR430F-02-10S(-F20)	1.1		1.2	
ASR530F-02-06S(-F20)	1.3		1.5	
ASR530F-02-08S(-F20)	1.6		2.1	
ASR530F-02-10S(-F20)	1.7		2.4	
ASR530F-02-12S(-F20)	1.7		2.5	
ASR530F-03-06S(-F20)	1.3		1.5	
ASR530F-03-08S(-F20)	1.6		2.1	
ASR530F-03-10S(-F20)	1.7		2.4	
ASR530F-03-12S(-F20)	1.7		2.5	
ASR630F-03-10S(-F20)	2.8		3.2	
ASR630F-03-12S(-F20)	2.9		3.5	
ASR630F-04-10S(-F20)	2.8		3.2	
ASR630F-04-12S(-F20)	2.9		3.5	

Flow Valve: Series ASQ

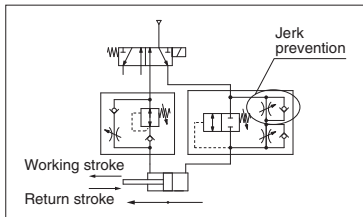
Type	Meter-out		Meter-in	
	Sonic conductance dm ³ /(s·bar)	Critical pressure ratio	Sonic conductance dm ³ /(s·bar)	Critical pressure ratio
ASQ430F-02-06S(-F20)	0.7	0.2	0.9	0.25
ASQ430F-02-08S(-F20)	0.8		1	
ASQ430F-02-10S(-F20)	0.8		1	
ASQ530F-02-06S(-F20)	1.2		1.4	
ASQ530F-02-08S(-F20)	1.7		1.8	
ASQ530F-02-10S(-F20)	1.8		2	
ASQ530F-02-12S(-F20)	2		2.1	
ASQ530F-03-06S(-F20)	1.2		1.4	
ASQ530F-03-08S(-F20)	1.7		1.8	
ASQ530F-03-10S(-F20)	1.8		2	
ASQ530F-03-12S(-F20)	2		2.1	
ASQ630F-03-10S(-F20)	2.8		3.1	
ASQ630F-03-12S(-F20)	3		3.3	
ASQ630F-04-10S(-F20)	2.8		3.1	
ASQ630F-04-12S(-F20)	3		3.3	

Operating Principle

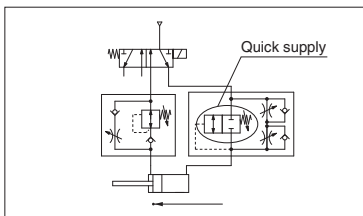
Working Stroke



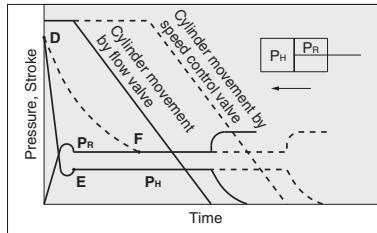
1. The cylinder starts smoothly because jerks are prevented by meter-in control.



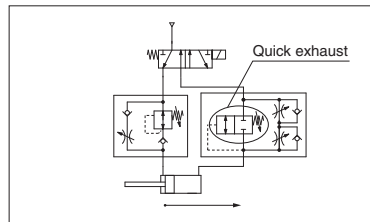
2. When the cylinder reaches the stroke end, the quick air charge by the flow valve rapidly increases the rear side pressure (PH) from A to B. If a speed controller is used instead of the flow valve, charging air will take more time as illustrated by line A-C, causing delay in the pressure rise.



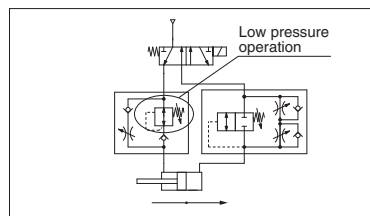
Return Stroke



3. To prevent delay due to the pressure gap, air is rapidly exhausted to decrease the pressure from D to E, after which the piston moves at a constant speed. If a speed controller is used instead of the flow valve, exhausting air will take more time as illustrated by line D-F, resulting in longer stop time of the cylinder and a consequent time loss.



4. The cylinder operates at a low pressure required for a return.

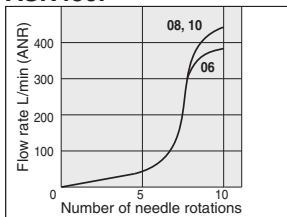


Flow Characteristics

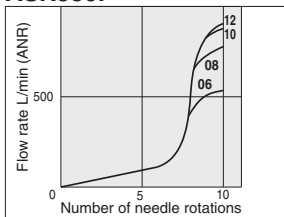
(Note) The flow characteristics are representative values.

Pressure Valve: Series ASR (Inlet pressure: 0.5 MPa)

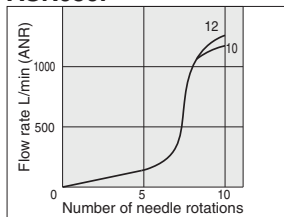
ASR430F



ASR530F



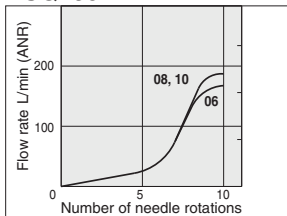
ASR630F



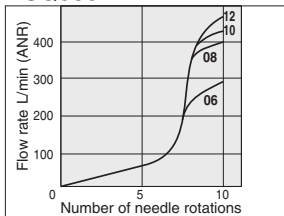
Flow Valve: Series ASQ

Meter-out Type (Inlet pressure: 0.3 MPa)

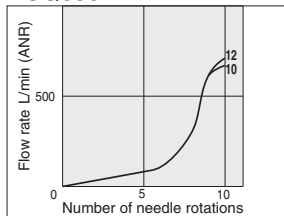
ASQ430F



ASQ530F

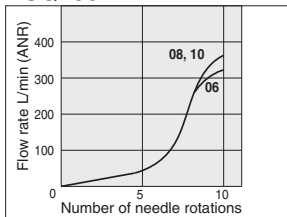


ASQ630F

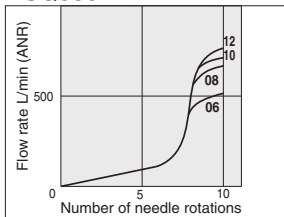


Meter-in Type (Inlet Pressure: 0.5 MPa)

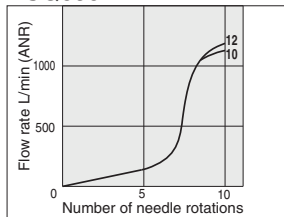
ASQ430F



ASQ530F

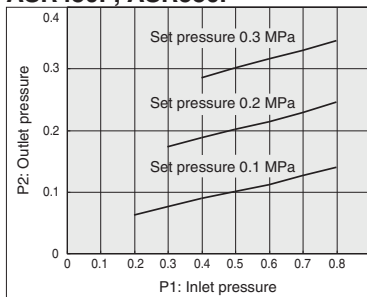


ASQ630F

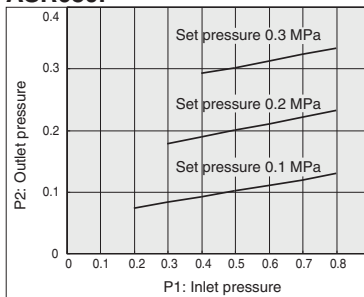


Pressure Characteristics (ASR)

ASR430F, ASR530F



ASR630F



- AS
- TMH
- ASD
- AS
- AS-FE
- KE
- AS-FG
- AS-FP
- AS-FM
- AS-D
- AS-T
- ASP
- ASN
- AQ
- ASV
- AK
- VCHC
- ASS
- ASR
- ASQ

Series ASR/Series ASQ

Selection and Adjustment

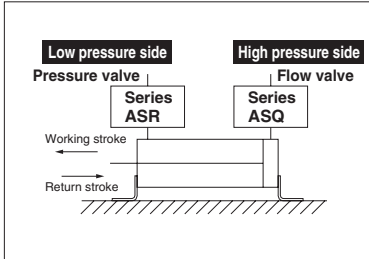
Install a flow valve on the working side which requires the cylinder output and a pressure valve on the return side. The product cannot be used in cases where the same pressure is necessary for both working and return strokes.

In such cases use a speed controller.

Horizontal mounting

Low pressure side: Pressure valve

High pressure side: Flow valve



Refer to

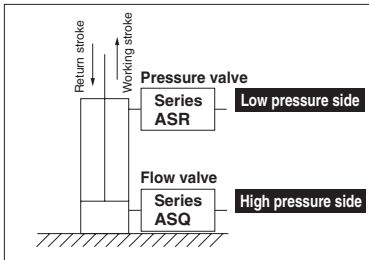
Adjustment Procedure 1

for pressure and speed adjustment.

Vertical mounting

Low pressure side: Pressure valve

High pressure side: Flow valve



In case the load ratio is 50% or lower at the set pressure of the flow valve:

Refer to

Adjustment Procedure 1

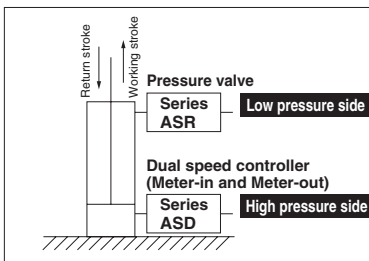
for pressure and speed adjustment.



If the load ratio at the set pressure of the flow valve exceeds 50%, install a dual speed controller (meter-in and meter-out control) on the high pressure side.

Low pressure side: Pressure valve

High pressure side: Dual speed controller



Refer to

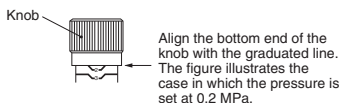
Adjustment Procedure 2

for pressure and speed adjustment.

Adjustment Procedure 1

Pressure Adjustment

1. The fixed set pressure type (-F20) does not require adjustment because the pressure is fixed at 0.2 MPa for both the pressure valve and the flow valve.
2. The set pressures of the variable set pressure type pressure valve and flow valve are adjusted with knob (A) and knob (B) respectively. Turn the knob clockwise to increase the pressure and counterclockwise to decrease the pressure.
3. The graduations 1, 2 and 3 correspond to 0.1, 0.2 and 0.3 MPa respectively. Align the bottom end of the knob with the graduated line for adjustment.



4. Set the same pressure for the pressure valve and the flow valve (0.2 MPa as the recommended value).
5. The inlet side should be supplied with a pressure which is higher than the set pressure by 0.1 MPa or more.
6. Cap the valve after adjustment.

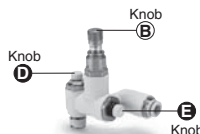
Pressure Valve: Series ASR



Speed Control

1. The cylinder speed is adjusted with knobs (C), (D) and (E). First have all the knobs fully closed and then open them gradually for adjustment. Turn the knob clockwise to close (decrease the speed of the piston rod) and counterclockwise to open (increase the speed of the piston rod).
2. Speed adjustment for the working stroke
The speed is adjusted with the pressure valve and the flow valve.
Open knobs (C) and (E) gradually until the required speed is achieved. Make sure that knobs (C) and (E) are opened by the same number of rotations.
Note 1) If the piston rod jerks, close knob (E) until the smooth operation is achieved.
3. Speed adjustment for return stroke
The speed is adjusted with the flow valve.
Open knob (D) gradually until the required speed is achieved.
4. Be sure to tighten the lock nut after adjustment.

Flow Valve: Series ASQ



Adjustment Procedure 2

Pressure Adjustment

1. The fixed set pressure type (-F20) does not require adjustment because the pressure is fixed at 0.2 MPa.
2. The pressure at the low pressure side (return stroke side) is adjusted by the pressure valve.
3. The set pressure is adjusted with knob (A). Turn the knob clockwise to increase the pressure and counterclockwise to decrease the pressure.
4. The graduations 1, 2 and 3 correspond to 0.1, 0.2 and 0.3 MPa respectively. Align the bottom end of the knob with the graduated line for adjustment.
5. Keep the set pressure as low as possible in order to achieve good air saving effect.
6. Cap the valve after adjustment.

Pressure Valve: Series ASR



Speed Control

1. The cylinder speed is adjusted with knobs (C), (F) and (G). First have all the knobs fully closed and then open them gradually for adjustment. Turn the knob clockwise to close (decrease the speed of the piston rod) and counterclockwise to open (increase the speed of the piston rod).
2. Speed adjustment for the working stroke
The speed is adjusted with the pressure valve and the dual speed controller.
Open knobs (C) and (G) gradually until the required speed is achieved. Make sure that knobs (C) and (G) are opened by the same number of rotations.
Note 1) If the piston rod jerks, close knob (G) until the smooth operation is achieved.
3. Speed adjustment for return stroke
The speed is adjusted with the dual speed controller.
Open knob (F) gradually until the required speed is achieved.
4. Be sure to tighten the lock nut after adjustment.

Dual Speed Controller: Series ASD



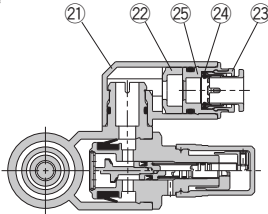
AS
TMH
ASD
AS
AS-FE KE
AS-FG
AS-FP
AS-FM
AS-D AS-T
ASP
ASN
AQ
ASV
AK
VCHC
ASS
ASR ASQ

Series ASR/Series ASQ

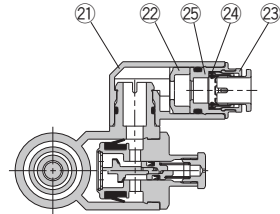
Construction

Pressure Valve: Series ASR

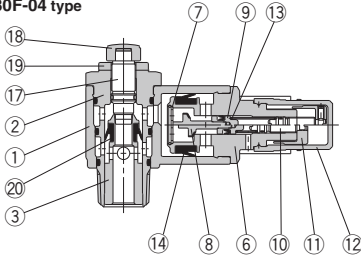
Variable type



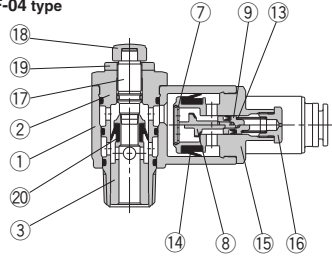
Fixed type



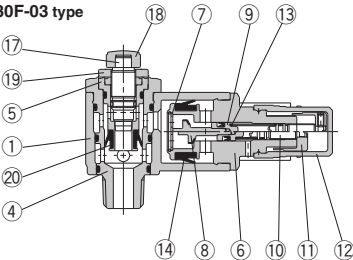
ASR430F-02 type
ASR530F-03 type
ASR630F-04 type



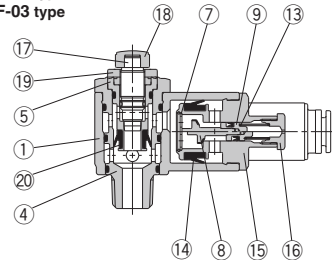
ASR430F-02 type
ASR530F-03 type
ASR630F-04 type



ASR530F-02 type
ASR630F-03 type



ASR530F-02 type
ASR630F-03 type



Component Parts

No.	Description	Material	Note
1	Body A	PBT	
2	Body B	Brass	Electroless nickel plated
3	Seat ring	Brass	Electroless nickel plated
4	Body B1	Brass	Electroless nickel plated
5	Body B2	Brass	Electroless nickel plated
6	Body C	Brass	Electroless nickel plated
7	Stopper	Stainless steel	
8	Valve	HNBR/Brass	
9	Piston	Brass	
10	Adjustment screw	Brass	Electroless nickel plated
11	Knob	Brass	Electroless nickel plated
12	Cap	Polypropylene	
13	Adjustment spring	Steel wire	

No.	Description	Material	Note
14	U seal	HNBR	
15	Body C	Brass	Electroless nickel plated
16	Adjustment plug	Brass	Electroless nickel plated
17	Needle	Brass	Electroless nickel plated
18	Knob	PBT	
19	Lock nut	Steel ⁽³⁾	Zinc chromated ⁽³⁾
20	U seal	HNBR	
21	Elbow body	PBT	
22	Spacer ⁽¹⁾	PBT	
23	Cassette	—	
24	Seal	NBR	
25	Drive body ⁽²⁾	Brass	Electroless nickel plated

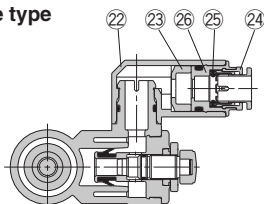
Note 1) Not used for ø6 and ø8.

Note 2) Not used for ø10 and ø12.

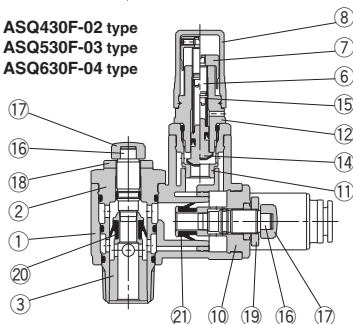
Note 3) The material and surface treatment of the lock nut option-J (round type) is brass and electroless nickel plating, respectively. However, note that only the ASR430F uses steel and electroless nickel plating.

Flow Valve: Series ASQ

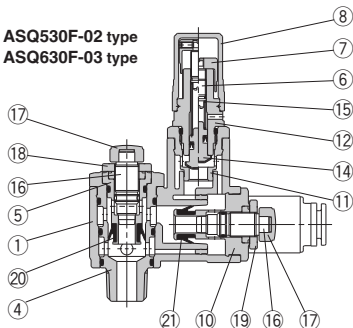
Variable type



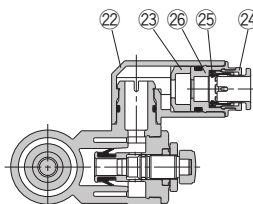
ASQ430F-02 type
ASQ530F-03 type
ASQ630F-04 type



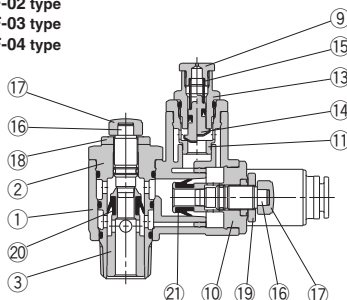
ASQ530F-02 type
ASQ630F-03 type



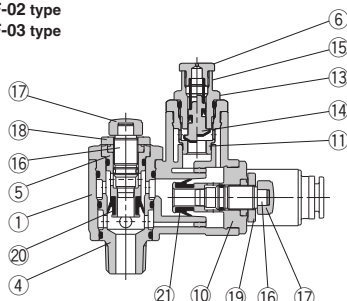
Fixed type



ASQ430F-02 type
ASQ530F-03 type
ASQ630F-04 type



ASQ530F-02 type
ASQ630F-03 type



Component Parts

No.	Description	Material	Note
1	Body A	PBT	
2	Body B	Brass	Electroless nickel plated
3	Seat ring	Brass	Electroless nickel plated
4	Body B1	Brass	Electroless nickel plated
5	Body B2	Brass	Electroless nickel plated
6	Adjustment screw	Brass	Electroless nickel plated
7	Knob	Brass	Electroless nickel plated
8	Cap	Polypropylene	
9	Adjustment plug	Brass	Electroless nickel plated
10	Body C	Brass	Electroless nickel plated
11	Body D1	Brass	Electroless nickel plated
12	Body D2	Brass	Electroless nickel plated
13	Body D3	Brass	Electroless nickel plated

No.	Description	Material	Note
14	Piston valve	HNBR/Brass	
15	Adjustment spring	Steel wire	
16	Needle	Brass	Electroless nickel plated
17	Knob	PBT	
18	Lock nut	Steel ⁽³⁾	Zinc chromated ⁽³⁾
19	Lock nut	Steel ⁽³⁾	Black zinc chromated
20	U seal	HNBR	
21	U seal	HNBR	
22	Elbow body	PBT	
23	Spacer ⁽¹⁾	PBT	
24	Cassette	—	
25	Seal	NBR	
26	Drive body ⁽²⁾	Brass	Electroless nickel plated

Note 1) Not used for ø6 and ø8.

Note 2) Not used for ø10 and ø12.

Note 3) The material and surface treatment of the lock nut option-J (round type) is brass and electroless nickel plating, respectively. However, note that only the ASQ430F uses steel and electroless nickel plating.

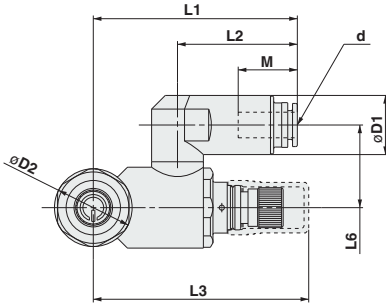
AS
TMH
ASD
AS
AS-FE KE
AS-FG
AS-FP
AS-FM
AS-D AS-T
ASP
ASN
AQ
ASV
AK
VCHC
ASS
ASR ASQ

Series ASR/Series ASQ

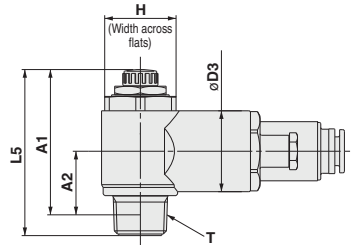
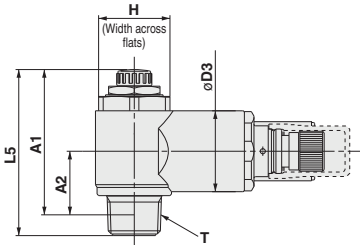
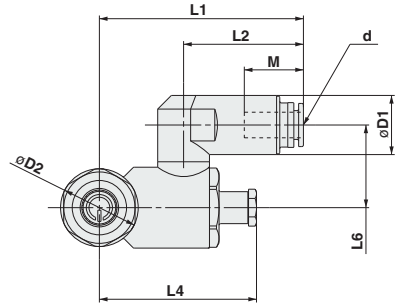
Dimensions

Pressure Valve: Series ASR

Variable set pressure type



Fixed set pressure type (-F20)



Model	d ⁽¹⁾	T	H	D1	D2	D3	L1	L2	L3 ⁽²⁾	L4 ⁽³⁾	L5 ⁽⁴⁾		L6	A1 ⁽⁵⁾		A2 ⁽⁵⁾	M	Weight (g) ⁽⁶⁾	
											Max.	Min.		Max.	Min.			*1	*2
ASR430F-02-06S,-F20	6						57.7	34.9									17	111	89
ASR430F-02-08S,-F20	8	R1/4	17	18.5	20	21.5	58.7	35.9									18.5	114	93
ASR430F-02-10S,-F20	10						53.8	31									21	105	82
ASR530F-02-06S,-F20	6						62.9	36.5									17	150	127
ASR530F-02-08S,-F20	8						63.9	37.5									18.5	153	130
ASR530F-02-10S,-F20	10	R1/4	21	18.5	24.3	25.3	59	32.6	67.3	49.2	55.8	50.8	25.9	49.8	44.8	18.8	21	143	120
ASR530F-02-12S,-F20	12			20.9			60.8	34.4									22	146	122
ASR530F-03-06S,-F20	6						62.9	36.5									17	160	137
ASR530F-03-08S,-F20	8						63.9	37.5									18.5	163	140
ASR530F-03-10S,-F20	10	R3/8	21	18.5	24.3	25.3	59	32.6	67.3	49.2	57.4	52.4	25.9	51	46	20	21	153	130
ASR530F-03-12S,-F20	12			20.9			60.8	34.4									22	156	133
ASR630F-03-10S,-F20	10			18.5			62.8	32.6									21	237	219
ASR630F-03-12S,-F20	12	R3/8	25	18.5	29.7	30	64.6	34.4	86.3	65.5	67.6	60.1	27.7	61.2	53.7	20.6	22	239	221
ASR630F-04-10S,-F20	10			18.5			62.8	32.6									21	257	239
ASR630F-04-12S,-F20	12	R1/2	25	18.5	29.7	30	64.6	34.4	86.3	65.5	71.1	63.6	27.7	62.9	55.4	24.1	22	259	239

Note 1) "d" indicates the applicable tubing O.D.

Note 2) L3 is the dimension for the variable set pressure type.

Note 3) L4 is the dimension for the fixed set pressure type.

Note 4) Reference dimensions

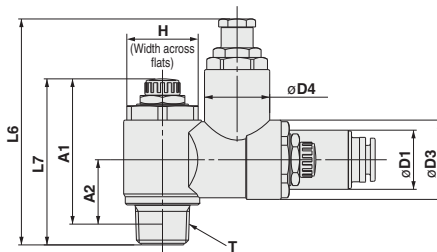
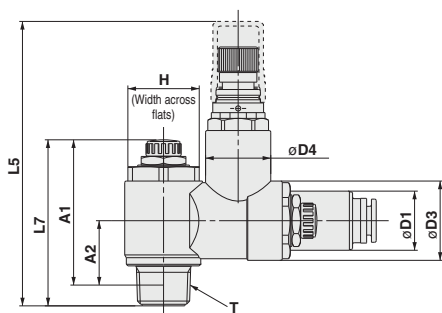
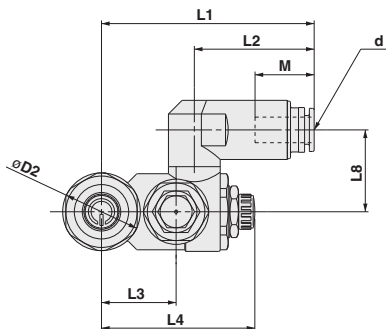
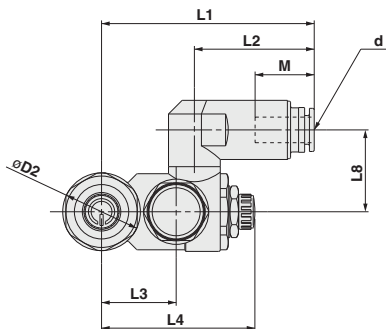
Note 5) A1 and A2 are reference dimensions after installation.

Note 6) *1 is the weight for the variable set pressure type and *2 is that for the fixed set pressure type.

Flow Valve: Series ASQ

Variable set pressure type

Fixed set pressure type



AS
TMH
ASD
AS
AS-FE KE
AS-FG
AS-FP
AS-FM
AS-D AS-T
ASP
ASN
AQ
ASV
AK
VCHC
ASS
ASR ASQ

Model	d ⁽¹⁾	T	H	D1	D2	D3	D4	L1	L2	L3	L4 ⁽²⁾		L5 ⁽³⁾	L7 ⁽²⁾		L8	A1 ⁽⁵⁾		A2 ⁽⁵⁾	M	Weight (g) ⁽⁶⁾		
											Max.	Min.		Max.	Min.		Max.	Min.			*1	*2	
ASQ430F-02-06S,-F20	6							61.6	34.9											17	136	114	
ASQ430F-02-08S,-F20	8	R1/4	17	18.5	20	21.5	19.5	62.6	35.9	20.3	49.4	44.4	88.8	68.7	50.6	45.6	23	44.6	39.6	17.9	18.5	139	117
ASQ430F-02-10S,-F20	10							57.7	31											21	130	108	
ASQ530F-02-06S,-F20	6							65.6	36.5											17	178	155	
ASQ530F-02-08S,-F20	8			18.5	24.3	24.8	20.4	66.6	37.5											18.5	181	158	
ASQ530F-02-10S,-F20	10	R1/4	21					61.7	32.6	23.4	53.5	48.5	92.2	72	55.8	50.8	25.6	49.8	44.8	19	21	172	149
ASQ530F-02-12S,-F20	12			20.9				63.5	34.4											22	174	151	
ASQ530F-03-06S,-F20	6							65.6	36.5											17	188	165	
ASQ530F-03-08S,-F20	8			18.5	24.3	24.8	20.4	66.6	37.5											18.5	191	168	
ASQ530F-03-10S,-F20	10	R3/8	21		24.3	24.8	20.4	61.7	32.6	23.4	53.5	48.5	93.8	73.6	57.4	52.4	25.6	51	46	20.2	21	182	159
ASQ530F-03-12S,-F20	12			20.9				63.5	34.4											22	184	161	
ASQ630F-03-10S,-F20	10			18.5	29.7	30.7	30	74.8	32.6	30.8	74.3	66.8	107.9	86.9	67.6	60.1	28	61.2	53.7	20.8	21	310	292
ASQ630F-03-12S,-F20	12	R3/8	25	20.9				76.6	34.4											22	312	294	
ASQ630F-04-10S,-F20	10			18.5	29.7	30.7	30	74.8	32.6	30.8	74.3	66.8	111.4	90.4	71.1	63.6	28	62.9	55.4	24.1	21	330	312
ASQ630F-04-12S,-F20	12	R1/2	25	20.9				76.6	34.4											22	332	314	

Note 1) "d" indicates the applicable tubing O.D..

Note 2) Reference dimensions

Note 3) L5 is the dimension for the variable set pressure type.

Note 4) L6 is the dimension for the fixed set pressure type.

Note 5) A1 and A2 are reference dimensions after installation.

Note 6) *1 is the weight for the variable set pressure type and *2 is that for the fixed set pressure type.