

# Transmitters: Pneumatic-electric Relay

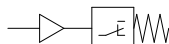


# VR3200/3201/3202 Series

**Pneumatic-electric relay converts pneumatic signal to electric relay.**



Symbol



## ⚠ Precautions

Be sure to read this before handling the products.  
Refer to back page 50 for Safety Instructions and pages 3 to 9 for 3/4/5 Port Solenoid Valve Precautions.

## Piping

### ⚠ Warning

When connecting a pipe fitting to the IN port, place the wrench over the hexagon portion of the lid.

If the wrench is placed over the microswitch body, the neck of the microswitch could break.

## Operation

### ⚠ Caution

1. When the air is in a continually supplied state for long periods of time, the recovery time may be delayed due to the adherence of the seal.

Use caution when supplying air continually for long periods of time.

## Model/Specifications

Model	VR3200-□01	VR3201-□01	VR3202-□01
Construction	Open type	Splashproof (IP44 equivalent) Conduit: G1/2	Splashproof/Conduit with ground terminal: Pg13.5
Weight	130 g	260 g	260 g
Operating pressure	0.1 to 1.0 MPa		
Ambient and fluid temperature	-5 to 60°C (No freezing)		
Contacts	1ab		
Port size	1/8		
Standard	—		EN60947-5-1:2017 (Note)

Note) Voltage is up to 30 VDC. Voltage other than that will be inapplicable.

## Microswitch Rating

Voltage	Non-inductive load (A)				Inductive load (A)			
	Resistance load		Light load		Inductive load		Electric motor load	
	N.C.	N.O.	N.C.	N.O.	N.C.	N.O.	N.C.	N.O.
125 VAC	15	15	3	1.5	15	15	5	2.5
250 VAC	15	15	2.5	1.25	15	15	3	1.5
8 VDC	15	15	3	1.5	15	15	5	2.5
14 VDC	15	15	3	1.5	10	10	5	2.5
30 VDC	6	6	3	1.5	5	5	5	2.5
125 VDC	0.5	0.5	0.5	0.5	0.05	0.05	0.05	0.05
250 VDC	0.25	0.25	0.25	0.25	0.03	0.03	0.03	0.03

## How to Order

VR320 0 - 01

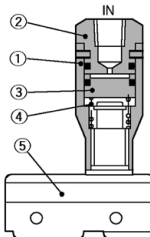
Port size

01	Rc 1/8
N01	NPT 1/8
F01	G 1/8

Construction

0	Open type
1	Splashproof (IP44 equivalent)
2	Splashproof with ground terminal (IP44 equivalent)/CE-compliant

## Construction



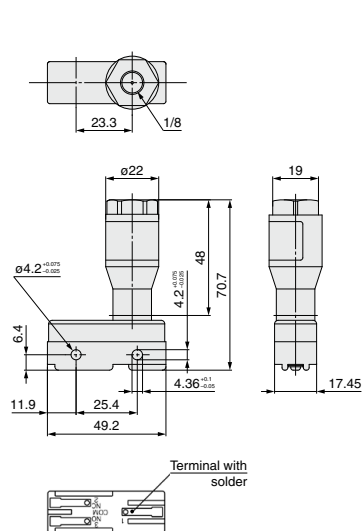
## Component Parts

No.	Description	Material	Note	No.	Description	Material	Note
1	Body	Brass		4	Spring	Stainless steel	
2	Cap	Brass		5	Microswitch		Contacts 1 ab
3	Piston	POM					

Transmitters: **VR3200/3201/3202 Series**  
 Pneumatic-electric Relay

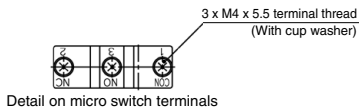
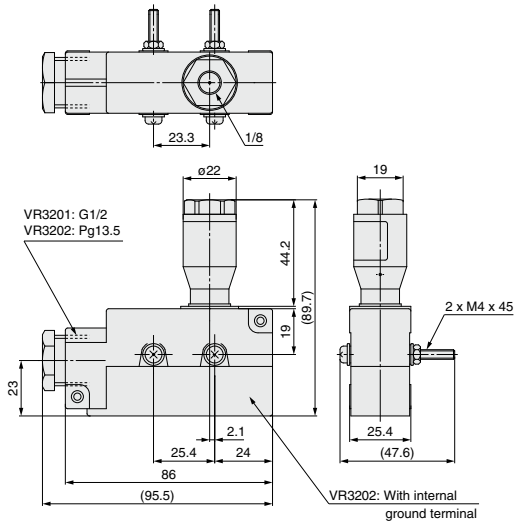
**Dimensions**

**VR3200**



Detail on micro switch terminals

**VR3201, VR3202**



Detail on micro switch terminals

- VM
- VMG
- VR**
- VR51
- VHK
- VH
- VHS
- VHS