

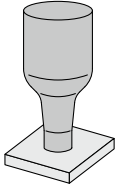
Nozzle Pad

Pad diameter $\varnothing 0.8, \varnothing 1.1$

Symbol/Form

AN: Nozzle type

■ For the adsorption of small components (such as IC chips)



How to Order



Pad unit **ZP2-08 AN N**

* Pad unit's sales unit: 10 pcs.

Pad diameter

Symbol	Pad diameter
08	$\varnothing 0.8$
11	$\varnothing 1.1$

Pad form

Symbol	Form
AN	Nozzle type

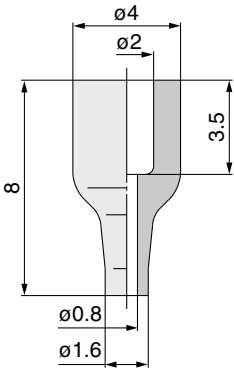
Pad material

Symbol	Material
N	NBR
S	Silicone rubber*1
U	Urethane rubber
F	FKM
GN	Conductive NBR
GS	Conductive silicone rubber

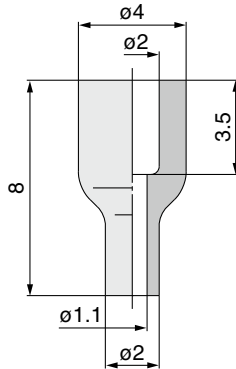
*1 Compliant with the FDA (USA Food and Drug Administration) regulation 21CFR§177.2600 for "Rubber articles intended for repeated use"

Dimensions: Pad Unit

ZP2-08AN□

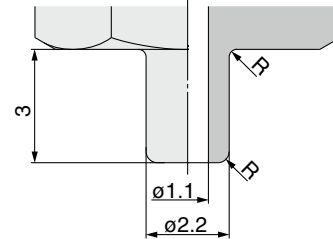


ZP2-11AN□



Adapter Mounting Dimensions

If an adapter will be made by the customer, design the adapter with the dimensions shown below.



* The R part has to be smooth with no corners.

How to Order

With adapter **ZP2-T 08 AN N - A5**

Vacuum inlet direction

Symbol	Direction
T	Vertical

Pad diameter

Symbol	Pad diameter
08	$\varnothing 0.8$
11	$\varnothing 1.1$

Pad form

Symbol	Form
AN	Nozzle type

Pad material

Symbol	Material
N	NBR
S	Silicone rubber*1
U	Urethane rubber
F	FKM
GN	Conductive NBR
GS	Conductive silicone rubber

Mounting

Symbol	Thread size
A5	M5 x 0.8

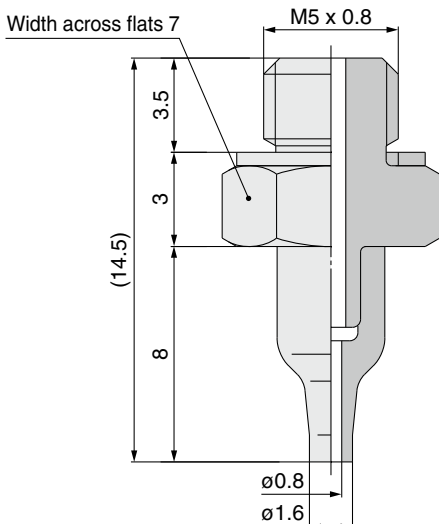
*1 Compliant with the FDA (USA Food and Drug Administration) regulation 21CFR§177.2600 for "Rubber articles intended for repeated use"

* The pad is shipped together but does not come assembled.

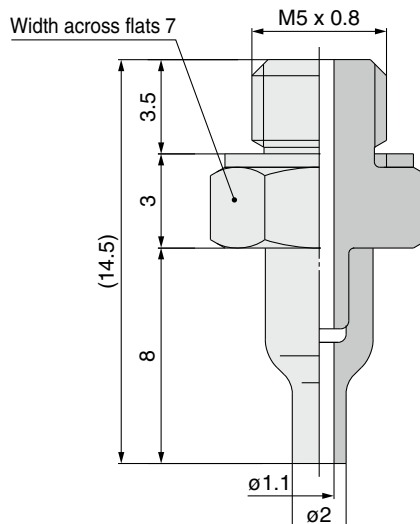


Dimensions: With Adapter

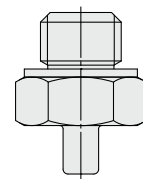
ZP2-T08AN□-A5



ZP2-T11AN□-A5



Adapter assembly unit



Part no. (With gasket):
ZP2A-Z21P
Gasket part no. (Single unit):
10 pcs. *1: ZP-5G2
100 pcs. *1: M-5G2

*1 The gasket (single unit) sales unit is shown.