

Rotary Table/Rack & Pinion Type

25A-MSQ Series

Size: 10, 20, 30, 50



How to Order

25A-MSQ 10 A - M9BW -

1
 2
 3
 4
 5
 6

Series compatible with secondary batteries

1 Size

10
20
30
50

2 Cushion type

A	Cushion pad
D	Bumper

3 Auto switch

Nil	Without auto switch (Built-in magnet)
-----	---------------------------------------

* For applicable auto switches, refer to page 259.

4 Number of auto switches

Nil	2
s	1
n	n

5 Port type

End port type		Size
Nil	M5	10, 20
Nil	Rc1/8	30, 50
-XF	G1/8	
-XN	NPT1/8	
-XT	NPTF1/8	

6 Made to order

Nil	None
A	With interchangeable table and plate
B	With interchangeable table
C	With interchangeable plate

* Zinc is used in part of deep groove ball bearing and seal washer.

* Some parts have dimensions and shapes that are different from those of the standard model. Refer to page 160-2 for details. Other specifications are the same as those of the standard model.

For details, refer to the **Web Catalog**.

25A-MSQ 10 A - M9BW - - X251

1
 2
 3
 4
 5
 6
 • With vacuum port

Series compatible with secondary batteries

1 Size

10
20
30
50

2 Cushion type

A	Cushion pad
D	Bumper

3 Auto switch

Nil	Without auto switch (Built-in magnet)
-----	---------------------------------------

* For applicable auto switches, refer to page 259.

4 Number of auto switches

Nil	2
s	1
n	n

5 Port type

End port type		Size
Nil	M5	10, 20
Nil	Rc1/8	30, 50
-XF	G1/8	
-XN	NPT1/8	
-XT	NPTF1/8	

6 Made to order

Nil	None
B	With interchangeable table

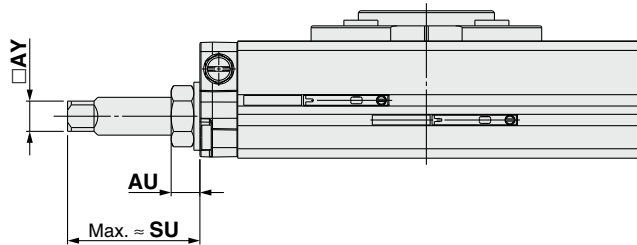
* Zinc is used in part of deep groove ball bearing and seal washer.

* Some parts have dimensions and shapes that are different from those of the standard model. Refer to page 160-2 for details. Other specifications are the same as those of the standard model.

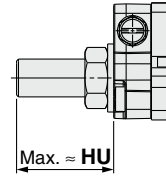
For details, refer to the **Web Catalog**.

Dimensions

Basic type 25A-MSQ□A



Bumper 25A-MSQ□D

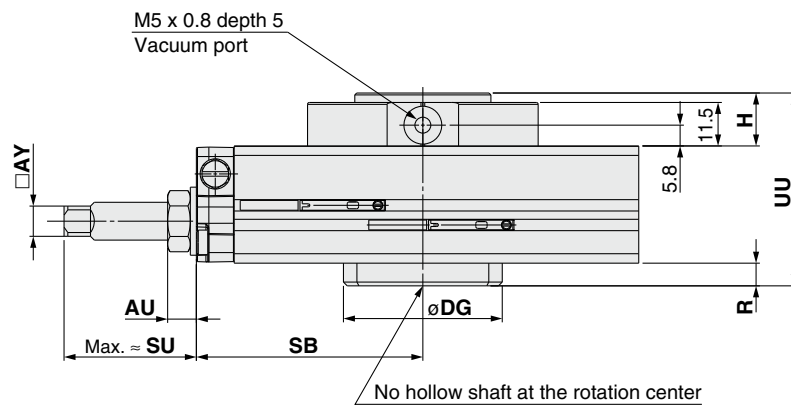


[mm]				
Size	AU	AY	HU	SU
10	6.5	6	18	24
20	7.5	8	26	34
30	7.5	8	24	32
50	10	10	34	45.5

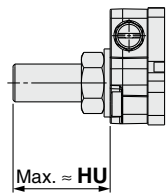
* Dimensions other than those shown above are identical to the standard products.

For details, refer to the **Web Catalog**.

With vacuum port 25A-MSQ□A-X251



Bumper 25A-MSQ□D-X251



[mm]									
Size	AU	AY	DG	H	HU	R	SB	SU	UU
10	6.5	6	35h9	14.2	18	5	47.2	24	48.7
20	7.5	8	42h9	14	26	6	59.9	34	51
30	7.5	8	48h9	14	24	6	65.3	32	58
50	10	10	54h9	14	34	7	77.7	45.5	64

* Dimensions other than those shown above are identical to the standard products.

* The product with the vacuum port has no hollow shaft at its rotation center.

For details, refer to the **Web Catalog**.

Directional
Control Valves

Air Cylinders

Related
Products

Rotary
Actuators

Air Grippers

Vacuum
Equipment

Air Preparation
Equipment

Clean
Air Filters

Modular F.R.L./
Pressure Control
Equipment

Flow Control
Equipment/
Fittings

Detection
Switches

Fluid Control
Equipment

Process Gas
Equipment

Electric
Actuators

Auto
Switches