

Reinforced Corrugated Cardboard Specification/Longer Length Reel Nylon Tubing **T0604-X64**

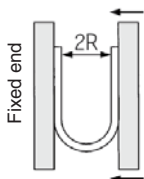


- Length per roll: 500/250 m
- For general pneumatic tubing
- Nylon Tubing



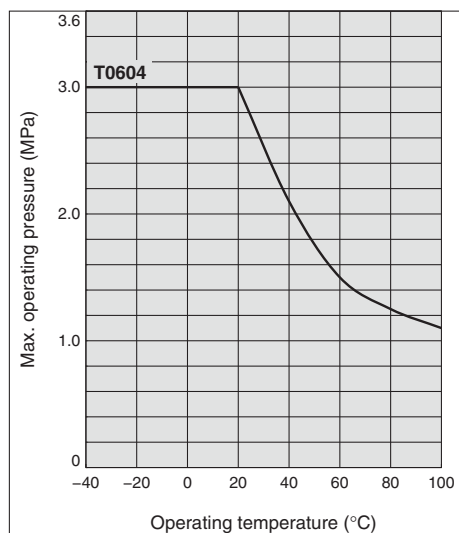
Reinforced corrugated cardboard

How to measure the minimum bending radius



At a temperature of 20°C, bend the tubing into a U shape. Fix one end and gradually move the other end closer. Measure 2R at the point where the outside diameter's rate of change is 10%.

Max. Operating Pressure



Series

Model	T0604
Tubing O.D. (mm)	6
Tubing I.D. (mm)	4
Black (B)	●
White (W)	●
250 m reel	●
500 m reel	●

Specifications

Fluid		Air, Water
Max. operating pressure (MPa)	20°C or less	3.0
	40°C	2.1
	60°C	1.5
	80°C	1.25
	100°C	1.1
Applicable fittings		One-touch fittings, Insert fittings, Self-align fittings, Miniature fittings
Min. bending radius (mm)	Min. bending radius	24
	Bending value (Reference)	18
Operating temperature		-40 to +100°C, Water: 0 to +70°C (No freezing)
Material		Nylon 12

Note 1) Be sure to operate under the maximum operating pressure and operating temperature conditions using the lower specifications of either the tubing or fittings.

Note 2) Mount an inner sleeve when using metal One-touch fittings in high-temperature environments of 60°C or more. Use self-align fittings at a temperature of 60°C or less.

Note 3) The minimum bending radius is the representative value measured as shown in the left figure.

- Use a tube above the minimum bending radius.
- The tubing may be bent if used under the minimum bending radius. Therefore, refer to the bending value and make sure that the tubing is not bent or flattened.
- Please note that the bending value is not warranted because of the representative value when 2R is measured by the method in the left figure if the tubing is bent or flattened, etc.

How to Order

T0604 B - 500 - X64

Indication of tubing model

Color indication

Symbol	Color
B	Black (Translucent)
W	White (Material color)

Length per roll

Symbol	T0604
250	●
500	●

⚠ Precautions

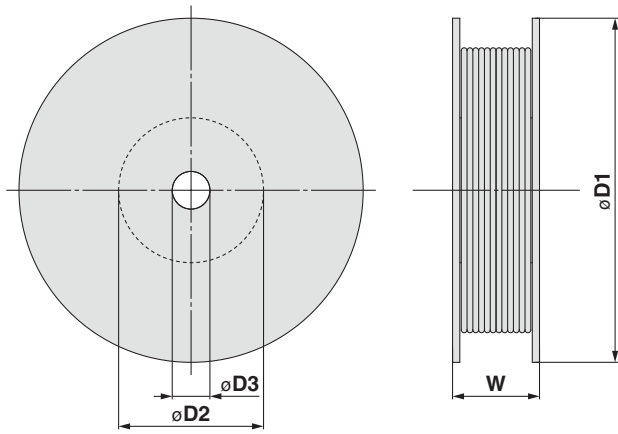
Be sure to read this before handling. For Safety Instructions and Fittings and Tubing Precautions, refer to "Handling Precautions for SMC Products" on SMC website, <http://www.smcworld.com>

⚠ Caution

1. Applicable for general industrial water. Please consult with SMC if using other kinds of fluid. Surge pressure must be under the max. operating pressure. If the surge pressure exceeds the maximum operating pressure, it will result in damage to fittings and tubes.
2. Please exercise caution when using this item in a clean room. There is a possibility of plasticizer and other materials precipitating on the tube surface and detracting from the cleanliness level of the room.

T0604-X64/TH0604-X64

Dimensions



Dimensions

Model	$\phi D1$	$\phi D2$	$\phi D3$	W	Weight (kg)
T0604□-250-X64	475	200	52	120	5.1
T0604□-500-X64	475	200	52	200	9.4
TH0604N-250-X64	475	200	52	120	9.4
TH0604N-500-X64	475	200	52	220	18.5

Made to Order

(Please contact SMC for specifications in detail, dimensions, delivery and specifications other than those mentioned above.)

100 m reel Metric size and Inch size except $\phi 16$: Suffix "-X3" to the end of part number. Ex.) T0425R-100-X3

Longer length reel Metric size: Suffix "-X3" to the end of part number. Ex.) T0425G-500-X3

20 m roll Inch size: Suffix "-X4" to the end of part number. Ex.) TIA01BU-20-X4

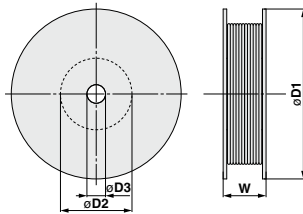
Reinforced corrugated cardboard specification longer length reel $\phi 6$, Black and White only: Suffix "-X64" to the end of part number. Ex.) T0604B-500-X64

Made to Order Availability

Part no.	Length	Model	T0425 *	T0604 *	T0806 *	T1075 *	T1209 *	TIA01 *	TIA05 *	TIA07 *	TIA11 *	TIA13 *	Color
X3	100 m reel		○	○	○	○	○	○	○	○	○	○	Black, White, Red, Blue, Yellow, Green
	150 m reel					○							
	200 m reel			○									
X4	500 m reel		○	○									Red, Blue, Yellow, Green
	20 m roll						○	○	○	○	○		
X64	250 m reel			○									Black, White
	300 m reel				○								Black
	500 m reel			○									Black, White

Reinforced corrugated cardboard specification: Longer length reel/-X64

Dimensions



Dimensions

Model	$\phi D1$	$\phi D2$	$\phi D3$	W	Weight (kg)	Color
T0604□-250-X64	475	200	52	120	5.1	Black
T0604□-500-X64	475	200	52	200	9.4	White
T0806B-300-X64	475	200	52	200	8.1	Black

KQ2

KQB2

**KS
KX**

KM

KF

M

**H/DL
L/LL**

KC

KK

KK130

DM

KDM

KB

KR

KA

KQG2

KG

KFG2

MS

KKA

KP

LQ

MQR

T

IDK