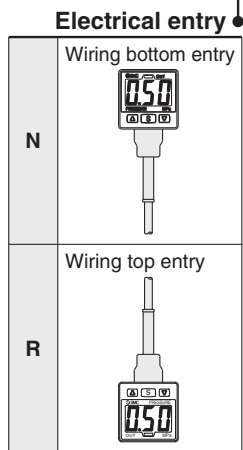


Digital Pressure Switch (Built-in Regulator Type) **ISE35 Series**



How to Order

ISE35 - N - 25 - M L - -



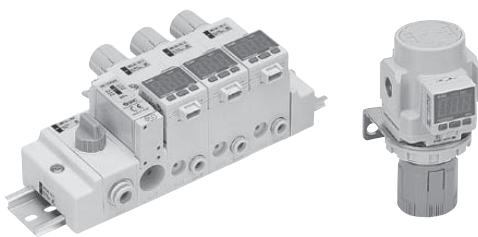
Output specifications

25	NPN output
65	PNP output

Unit specifications

Nil	With unit conversion function <small>Note 1)</small>
M	Fixed SI unit <small>Note 2)</small>
P	Pressure unit: psi (Initial value), with unit conversion function <small>Note 1)</small>

Note 1) Under the New Measurement Law, sales of switches with the unit switching function have not been allowed for use in Japan.
Note 2) Fixed unit: MPa



Option/Part No.

When optional parts are required separately, use the following part numbers to place an order.

Name	Part No.	Note
Lead wire with connector	ZS-32-A	Length: 2 m (With rubber cover)
Mounting kit	ZS-32-C	For ISE35-□-A (AR/AW series) Mounting thread (3 x 7L, 2 pcs.), adapter, lock pin, O-ring are attached
	ZS-32-D	For ISE35-□-B (ARM10/11 series) Mounting thread (M3 x 13, 2 pcs.), adapter, lock pin, O-ring are attached
	ZS-32-C-X473	For ISE35-□-A-X523 (AR/AW-D series) Mounting thread (3 x 8L, 2 pcs.), adapter, lock pin, O-ring are attached

Made to Order (p. 128-1)

Symbol	Specifications
X523	AR/AW-D Series Mounting kit is included

* Only applicable to Option 2 (A)

Option 2

Nil	None
A	AR/AW series mounting kit Lock pin Mounting thread Adapter Example) Regulator O-ring
B	ARM10/11 series mounting kit Adapter Mounting thread Lock pin O-ring

Option 1

Nil	None
L	Lead wire with connector (Length: 2 m)

Applicable series

Product series that this product can be installed in.

Product series	Model
F.R.L. combination	AC20/AC25/AC30/AC50/AC55/AC60
	AC20A/AC30A/AC40A/AC50A/AC60A
	AC20B/AC25B/AC30B/AC50B/AC55B/AC60B
	AC20C/AC25C/AC30C/AC40C
	AC20D/AC30D/AC40D
Regulator	AR20 (K) /AR25 (K) /AR30 (K) /AR40 (K) /AR50 (K) /AR55 (K) /AR60 (K)
Filter regulator	AW20 (K) /AW30 (K) /AW40 (K) /AW60 (K)
Mist separator regulator	AWM20/AWM30/AWM40
Micro mist separator regulator	AWD20/AWD30/AWD40
Compact manifold regulator	ARM10/ARM11
Direct precision operated regulator	ARP20 (K) /ARP30 (K) /ARP40 (P)

Specifications

Refer to pages 11 and 12 for Pressure Switch Precautions. For details about the Specific Product Precautions, refer to the Operation Manual on the SMC website, <http://www.smcworld.com> Click [here](#) for details.

Model		ISE35
Rated pressure range		0 to 1 MPa
Display/setting pressure range		-0.1 to 1 MPa
Withstand pressure		1.5 MPa
Minimum display/setting unit		0.01 MPa
Applicable fluid		Air, Non-corrosive gas, Non-flammable gas
Power supply voltage		12 to 24 VDC $\pm 10\%$, Ripple (p-p) 10% or less (With power supply polarity protection)
Current consumption		55 mA or less (at no load)
Switch output		NPN or PNP open collector output: 1 output
	Max. load current	80 mA
	Max. applied voltage	30 V (With NPN output)
	Residual voltage	1 V or less (With load current of 80 mA)
	Response time	1 s (0.25, 0.5, 2, 3s selections)
Short circuit protection		Yes
Repeatability		$\pm 1\%$ F.S.
Hysteresis	Hysteresis mode	Adjustable (can be set from 0)
	Window comparator mode	
Display		3-digit, 7-segment indicator, 2-color display (Red/Green) A switch can be operated simultaneously.
Display accuracy		$\pm 2\%$ F.S. ± 1 digit (at 25°C $\pm 3^\circ\text{C}$ ambient temperature)
Indicator light		Lights up when output is turned ON. (Green)
Environment	Enclosure	IP40
	Operating temperature range	-5 to 50°C (No freezing or condensation)
Lead wire with connector (Option: L)		Oil resistance vinyl cabtyre cable 3 core $\phi 3.4$ 2 m Sectional area of conductor: 0.2 mm ² (AWG25) Outside diameter of insulator: 1.16 mm
Weight		Approx. 14 g (Body only) Approx. 38 g (Including lead wire with connector)
Standard		CE, UL/CSA (E216656) RoHS

ZSE20
ISE20ZSE30
ISE30ZSE40
ISE40ZSE10
ISE10

ISE70

ZSE80
ISE80

PS

ISA3

ISA2

ISE35

PSE

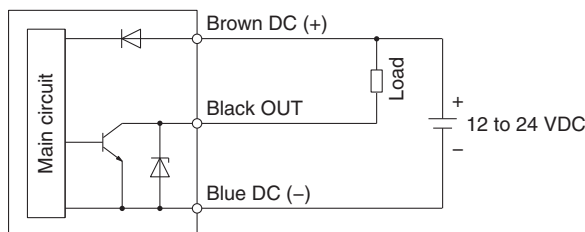
IS

ISG

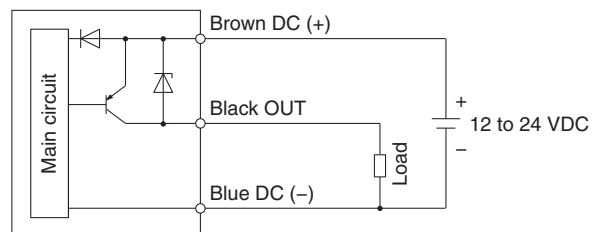
ZSM1

Internal Circuits and Wiring Examples

-25 NPN (1 output)

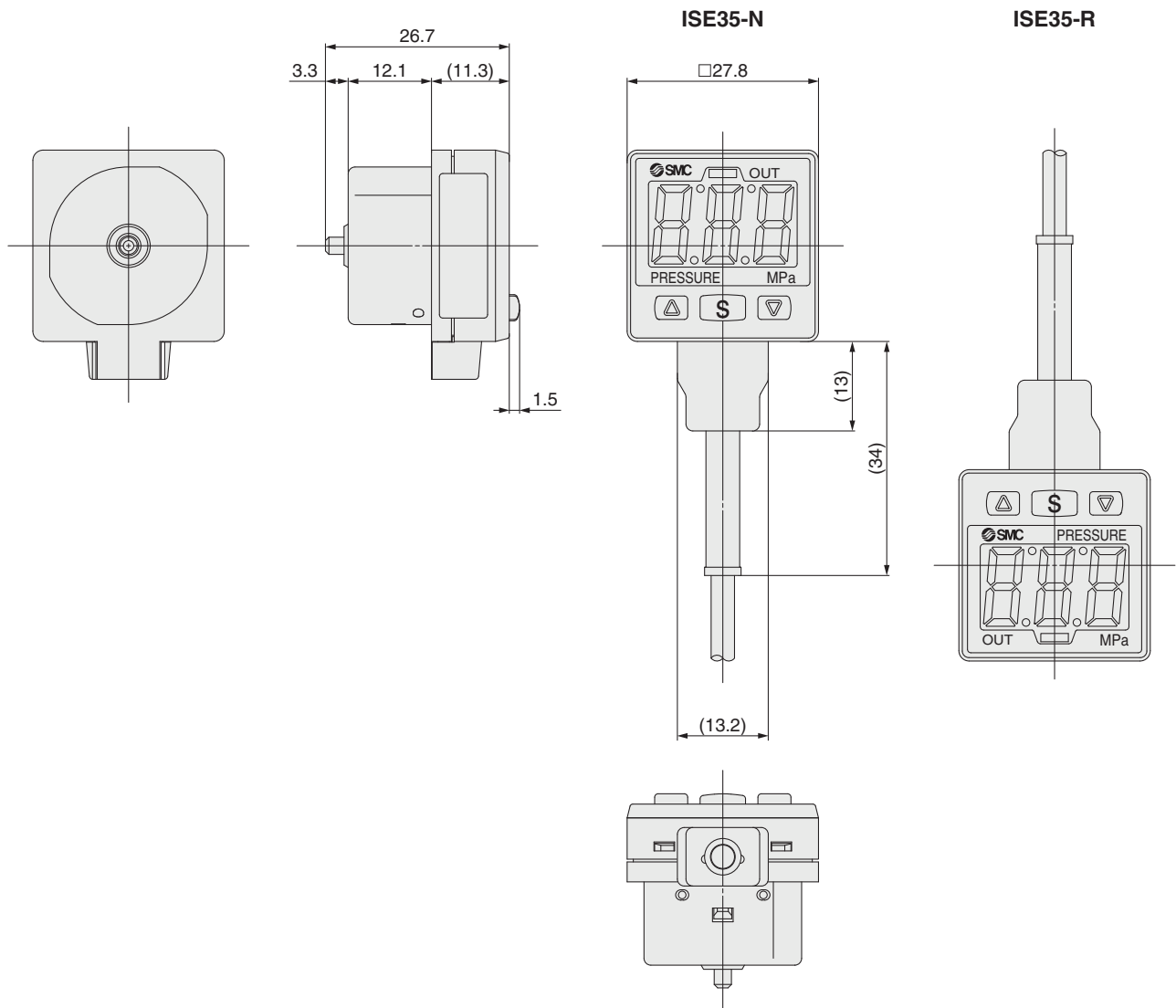


-65 PNP (1 output)

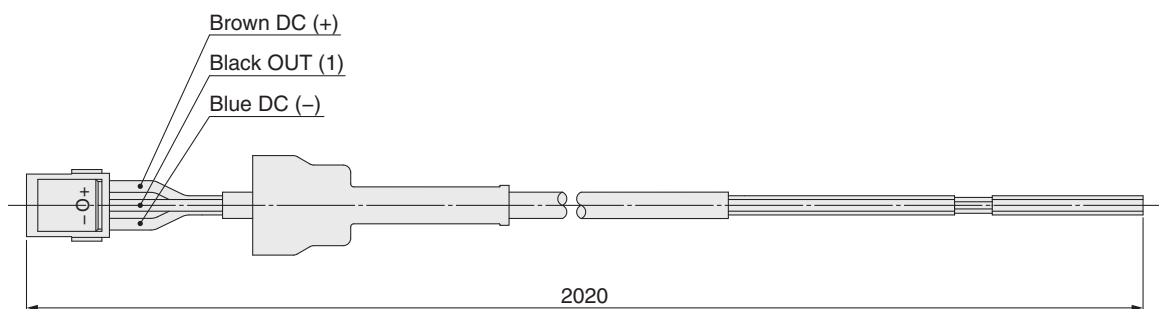


ISE35 Series

Dimensions



Lead wire with connector ZS-32-A



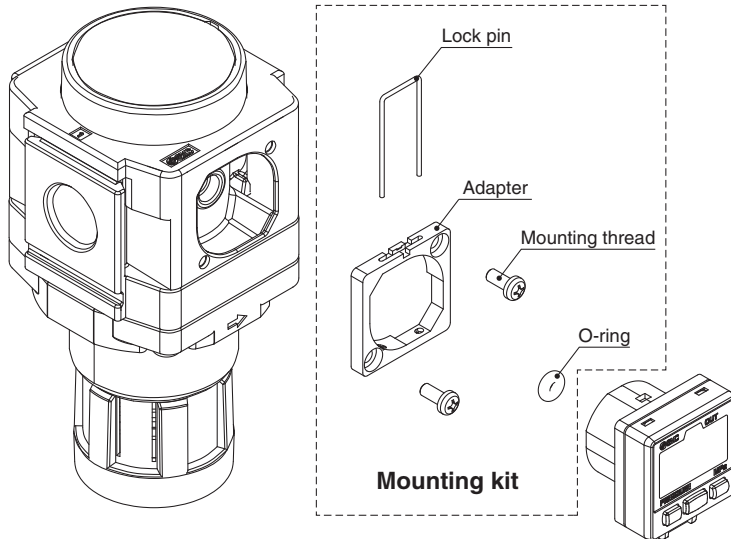
ISE35 Series Made to Order

Please contact SMC for detailed dimensions, specifications and lead times.



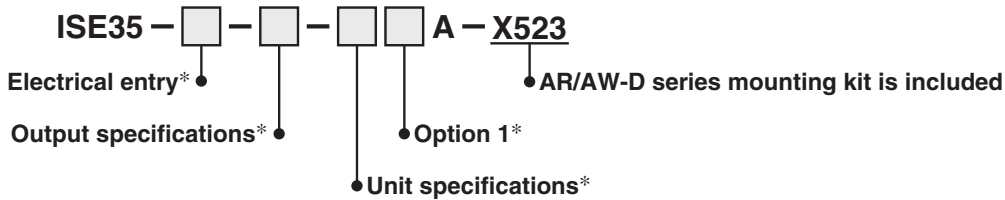
1 AR/AW-D Series Mounting Kit is Included

Mounting screws, an adapter, a lock pin, and an O-ring are shipped together with the product.



How to Order

* Refer to "How to Order" on page 126 for standard specifications.



Option/Part No.

Name	Part No.	Note
Mounting kit	ZS-32-C-X473	For ISE35-□-A-X523 (AR/AW-D series) Mounting thread (3 x 8L, 2 pcs.), adapter, lock pin, O-ring are attached

ZSE20
ISE20

ZSE30
ISE30

ZSE40
ISE40

ZSE10
ISE10

ISE70

ZSE80
ISE80

PS

ISA3

ISA2

ISE35

PSE

IS

ISG

ZSM1



Digital Pressure Switch (Built-in Regulator Type)

ISE35-X528

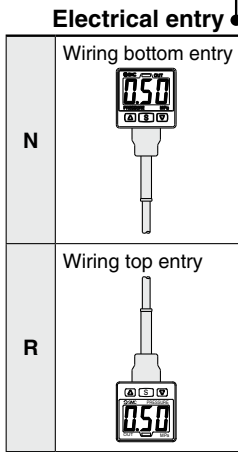


[Click here for details](#) on the specifications and dimensions.



How to Order

ISE35 - N - 25 - M L A - X528



Output specifications

25	NPN output
65	PNP output

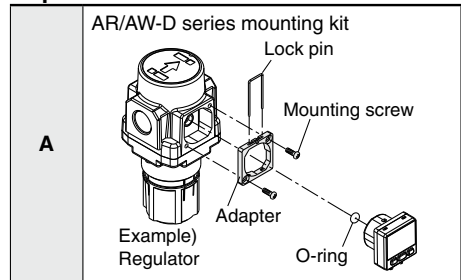
Unit specifications

Nil	With unit selection function*1
M	Fixed SI unit*2
P	Pressure unit: psi (Initial value), with unit selection function*1

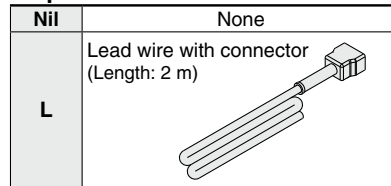
*1 Under the New Measurement Act, sales of switches with the unit switching function have not been allowed for use in Japan.
*2 Fixed unit: MPa

Fluid contact parts: Grease-free (For AR/AW-D series)

Option 2



Option 1



Please read the Caution of HF- Series (p. 69) before use.

Option/Part No.

When optional parts are required separately, use the following part numbers to place an order.

Name	Part No.	Note
Lead wire with connector	ZS-32-A	Length: 2 m (With rubber cover)
Mounting kit	ZS-32-C-X527	For ISE35-□-A-X528 (AR/AW-D series) Mounting screw, adapter, lock pin, O-ring are attached

Applicable series

Product series that this product can be installed in.

Product series	Model
Regulator	AR20(K)-D/AR30(K)-D/AR40(K)-D/ AR50(K)-D/AR60(K)-D
Filter regulator	AW20(K)-D/AW30(K)-D/AW40(K)-D/ AW60(K)-D

Air Preparation Equipment
Pressure Control Equipment/Others

Fittings and Tubing

Flow Control Equipment

Pressure Gauges

Switches/Sensors

Process Valves

Directional Control Valves