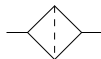


Vacuum Filter

AFJ20 to AFJ40

Symbol
Vacuum filter



AFJ20

AFJ30

AFJ40

How to Order

AFJ **30** - **03** **B** - **80** - **T** - **6**

① ② ③ ④ ⑤ ⑥ ⑦

· Option/Nominal filtration rating/Type/Semi-standard: Select one of each for a to f.
· Semi-standard: When more than one specification is required, indicate in alphanumeric order.

	Symbol	Description	① Body size			
			20	30	40	
② Pipe thread type	Nil	Rc	●	●	●	
	N	NPT	●	●	●	
	F	G	●	●	●	
+						
③ Port size	01	1/8	●	—	—	
	02	1/4	●	●	●	
	03	3/8	—	●	●	
	04	1/2	—	—	●	
+						
④ Option	a Mounting	Nil	Without mounting option	●	●	●
		B (Note 1)	With bracket	●	●	●
+						
⑤ Nominal filtration rating	b Element	5	5 μm	●	●	●
		40	40 μm	●	●	●
		80	80 μm	●	●	●
+						
⑥ Type	c Water drop removal type/ Large flow type	S	Water drop removal type	●	●	●
		T	Large flow type	●	●	●
+						
⑦ Semi-standard	d Bowl (Note 2)	Nil	Polycarbonate bowl	●	●	●
		6	Nylon bowl	●	●	●
	+					
	e Flow direction	Nil	Flow direction: Left to right	●	●	●
		R	Flow direction: Right to left	●	●	●
	+					
f Pressure unit	Nil	Name plate and caution plate in imperial units: MPa/°C	●	●	●	
	Z (Note 3)	Name plate and caution plate in imperial units: psi/°F	○ (Note 4)	○ (Note 4)	○ (Note 4)	

Note 1) Option B is not assembled and supplied loose at the time of shipment.
Assembly of a bracket and 2 mounting screws.

Note 2) Refer to Chemical data on page 786 for chemical resistance of the bowl.

Note 3) For pipe thread type NPT. This product is for overseas use only according to the new Measurement Law. (The SI unit type is provided for use in Japan.)

Note 4) ○: For pipe thread type NPT only

SP

ZCUK

AMJ

AFJ

AMV

ZH
-X185

Related
Products

AFJ20 to AFJ40 Series

Standard Specifications

Model			AFJ20		AFJ30		AFJ40		
Port size			1/8	1/4	1/4	3/8	1/4	3/8	1/2
Fluid			Air						
Ambient and fluid temperature			-5 to 60°C (No freezing)						
Proof pressure			0.5 MPa						
Operating pressure range			-100 to 0 kPa						
Vacuum release pressure			0.5 MPa or less ^{Note 6)}						
Nominal filtration rating ^{Note 1) to Note 4)}			5 μm, 40 μm, 80 μm						
Drain capacity [cm ³]			8		25		45		
Bowl material			Polycarbonate						
Bowl guard			—		Standard (Polycarbonate)				
Recommended flow rate ^{Note 5)} [L/min (ANR)]	Water drop removal type (-S)	5 μm	80	100	180	230	200	310	370
		40 μm	100	130	210	340	230	390	500
		80 μm							
	Large flow type (-T)	5 μm	100	140	190	250	210	350	440
		40 μm	120	180	230	380	250	480	660
		80 μm							
Weight [kg]			0.08		0.18		0.36		

Note 1) The size of solid particles collectable by the element 40 μm (80 μm) shall be 40 μm (80 μm) or more in depth x height x width.

Note 2) 5 μm elements use fiber type element which filtrate 5 μm.

Note 3) The element for 40 μm uses a resin mesh with openings of 40 μm in height and width.

Note 4) The element for 80 μm uses a resin mesh with openings of 80 μm in height and width.

Note 5) The amount of processed air when the initial pressure loss is 4 kPa.

Note 6) Do not use the product under pressure except momentary pressure, such as pressure release.

Options/Part No.

Model	AFJ20	AFJ30	AFJ40
Bracket assembly ^{Note)}	AF22P-050AS	AF32P-050AS	AF42P-050AS

Note) Assembly of a bracket and 2 mounting screws

Bowl Assembly/Part No.

Bowl material	Model		
	AFJ20	AFJ30	AFJ40
Polycarbonate	C2SJ	C3SJ	C4SJ
Nylon	C2SJ-6	C3SJ-6	C4SJ-6

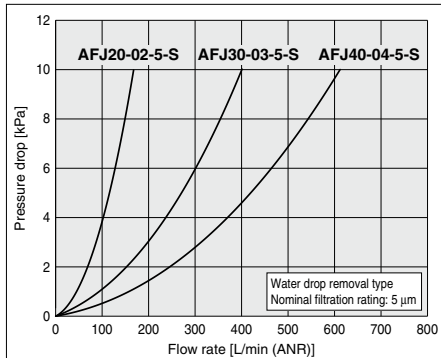
Note) Bowl assembly includes the bowl O-ring.

Flow Rate Characteristics (Representative values)

Water Drop Removal Type

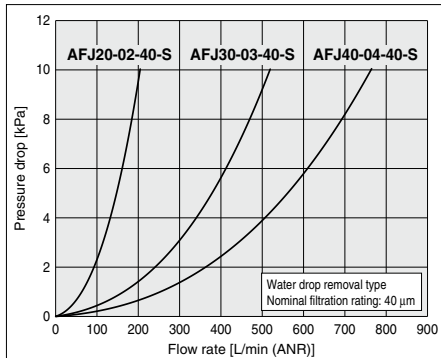
5 μm

AFJ20-02-5-S/AFJ30-03-5-S/AFJ40-04-5-S



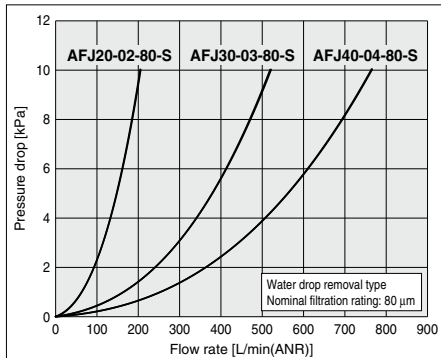
40 μm

AFJ20-02-40-S/AFJ30-03-40-S/AFJ40-04-40-S



80 μm

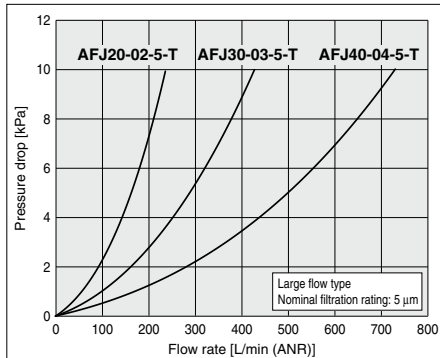
AFJ20-02-80-S/AFJ30-03-80-S/AFJ40-04-80-S



Large Flow Type

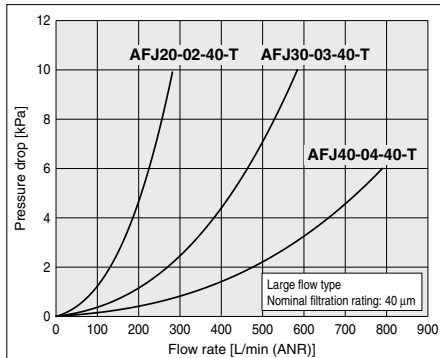
5 μm

AFJ20-02-5-T/AFJ30-03-5-T/AFJ40-04-5-T



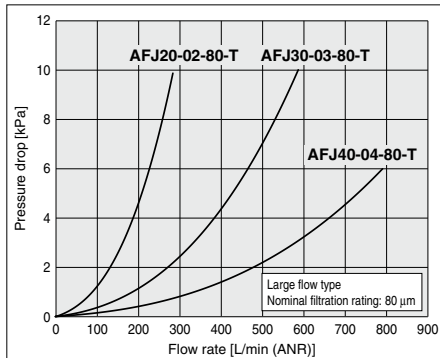
40 μm

AFJ20-02-40-T/AFJ30-03-40-T/AFJ40-04-40-T



80 μm

AFJ20-02-80-T/AFJ30-03-80-T/AFJ40-04-80-T



SP

ZCUK

AMJ

AFJ

AMV

ZH

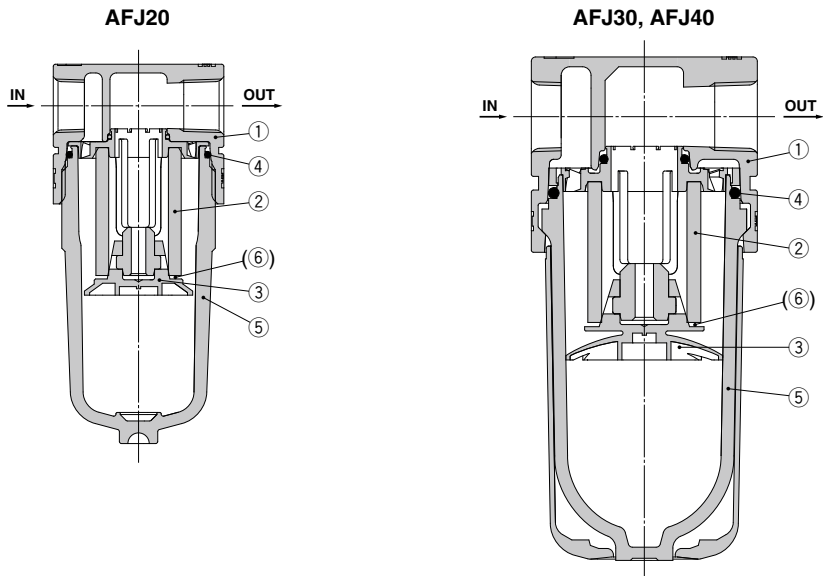
-X185

Related

Products

AFJ20 to AFJ40 Series

Construction



Component Parts

No.	Description	Material	Model	Note
1	Body	Aluminum die-cast	AFJ20 to AFJ40	White

Replacement Parts

No.	Description	Material	Part number		
			AFJ20	AFJ30	AFJ40
2	Filter element	5 μm	AF20P-060S	AF30P-060S	AF40P-060S
		40 μm	AF22P-820S	AF32P-820S	AF42P-820S
		80 μm	AF22P-830S	AF32P-830S	AF42P-830S
3	Baffle	PBT	AF22P-040S	AF32P-040S	AF42P-040S
4	Bowl O-ring	NBR	C2SFP-260S	C32FP-260S	C42FP-260S
5	Bowl assembly ^{Note 1)}	Polycarbonate	C2SJ	C3SJ	C4SJ
6	Seal ^{Note 2)}	NBR	AW22P-070S	AW32P-070S	AW42P-070S

Note 1) Bowl assembly includes the bowl O-ring.

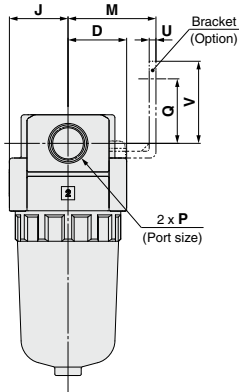
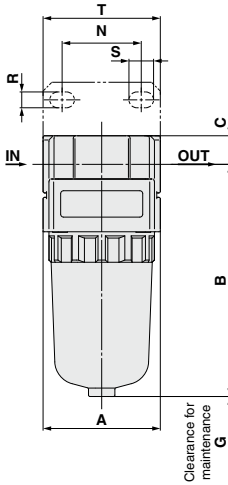
Please consult with SMC separately for psi and °F unit display specifications.

Bowl assembly for the AFJ30 and AFJ40 models comes with a bowl guard (Material: Polycarbonate).

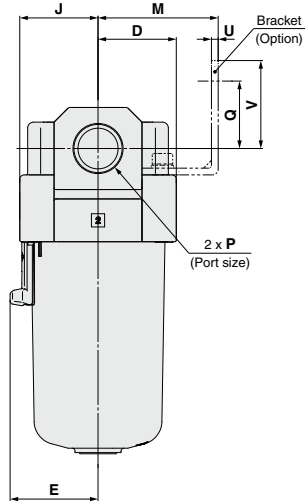
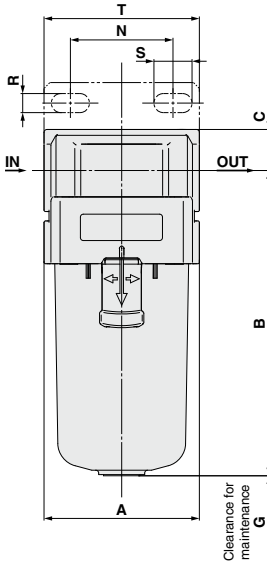
Note 2) The seal is for 40 μm and 80 μm elements.

Dimensions

AFJ20



AFJ30, AFJ40



Model	Standard specifications								Optional specifications							
	P	A	B	C	D	E	G	J	M	N	Q	R	S	T	U	V
AFJ20	1/8, 1/4	40	79.2	9.8	20	—	25	20	30	27	22	5.4	8.4	40	2.3	28
AFJ30	1/4, 3/8	53	104.1	14	26.7	30	35	26.7	41	35	23	6.5	13	53	2.3	30
AFJ40	1/4, 3/8, 1/2	70	136.1	18	35.4	38.4	40	35.4	50	52	26	8.5	12.5	70	2.3	35

SP
ZCUK
AMJ
AFJ
AMV
ZH-X185
Related Products