



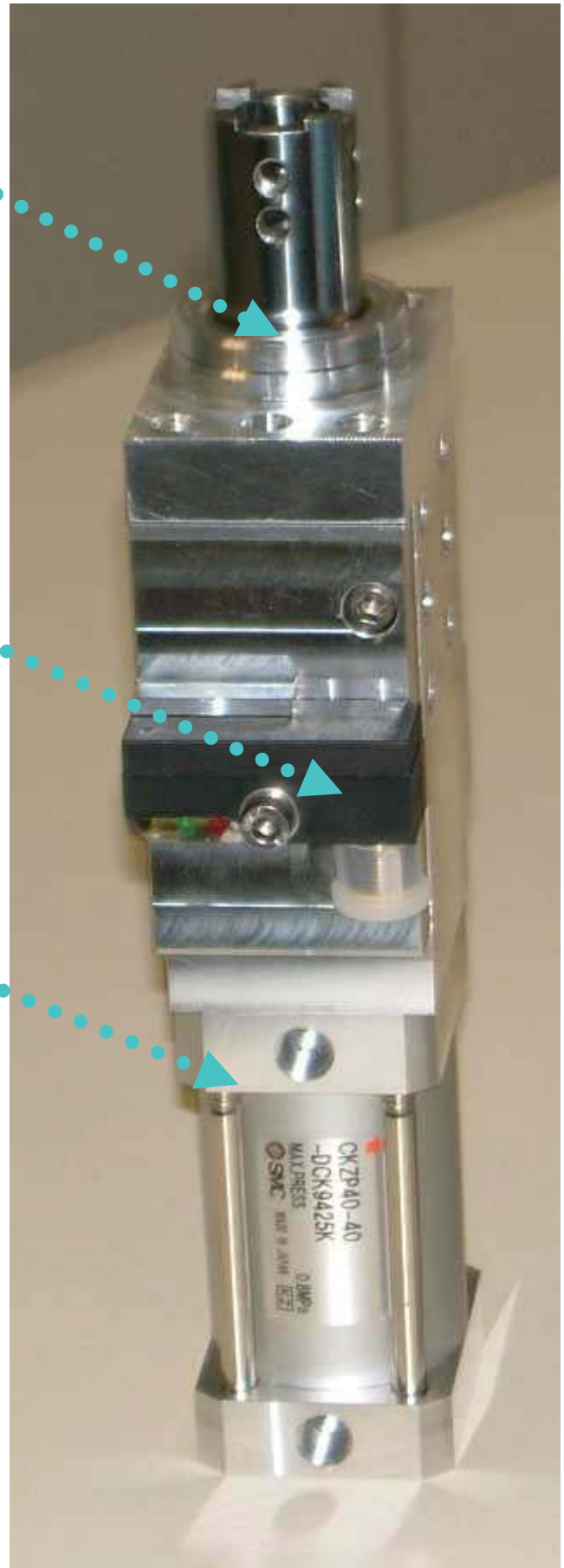
Pin Shift Cylinder
Series CKZP



Non-rotating pin design is standart for both sizes.
Same anti-rotating pin design is used for both sizes.

The mounting position of M12 connector can be changed.
M12 connector can be mounted in two different directions.

Supply air ports can be chose according to your mounting position.
Air supply ports are stated on both side of the cylinder.





Special protective cover is standard.
Spatter proof coil scrapper prevents the welding scraps to get into the cylinder.

Three different mounting positions is standard.
The cylinder can be mounted on front, or on both sides.

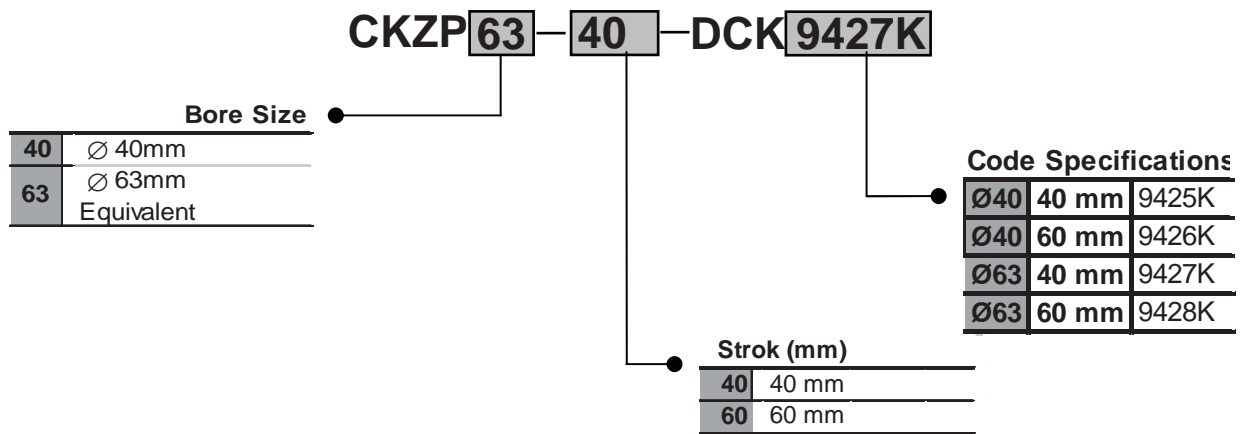
Pin Shift Cylinder

Series CKZP

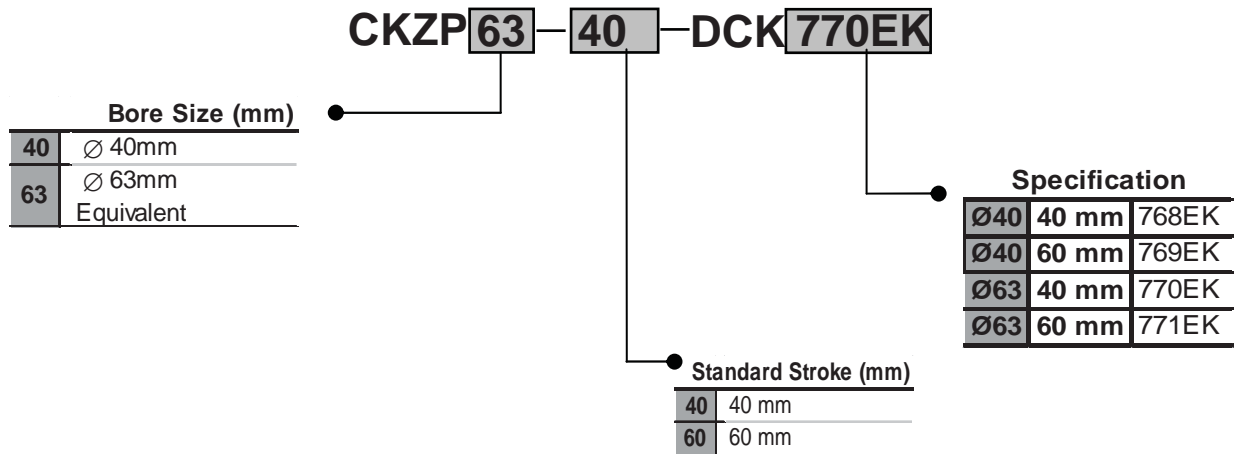
Ø40, Ø63

How to Order

With Electrical Switch Cassette:



With Pneumactical Switch Cassette:



Cylinder Specifications

Bore Size (mm)	40	63
Action	Double Acting	
Fluid	Air	
Stroke	40 mm, 60 mm	
Max. Operating Pressure	0.8 MPa	
Operating Temp. Range	(-) 10° ~ 60°	
Cushion	Each Side Rubber Cushion	

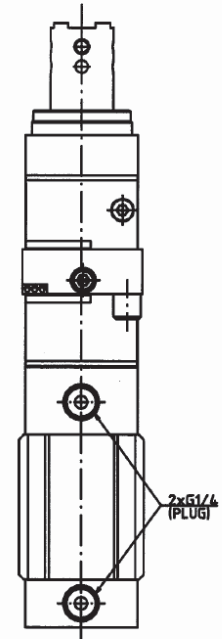
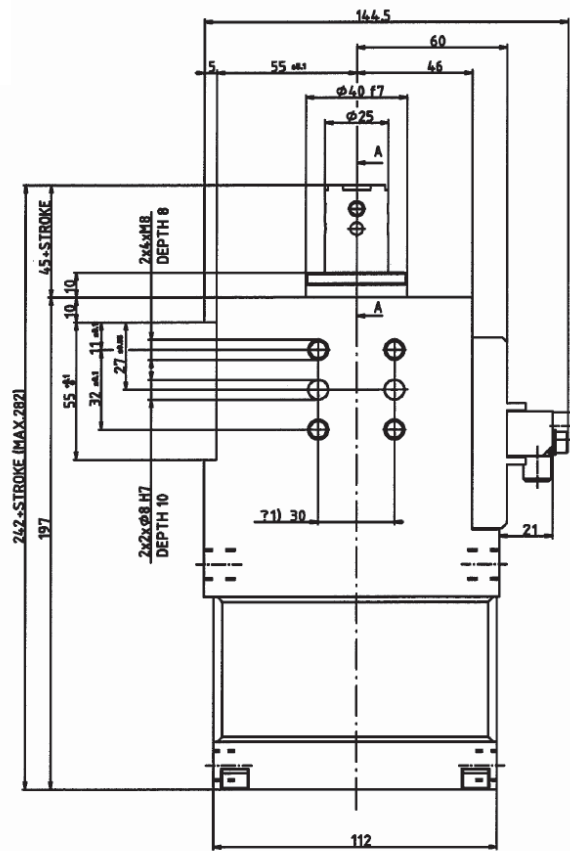
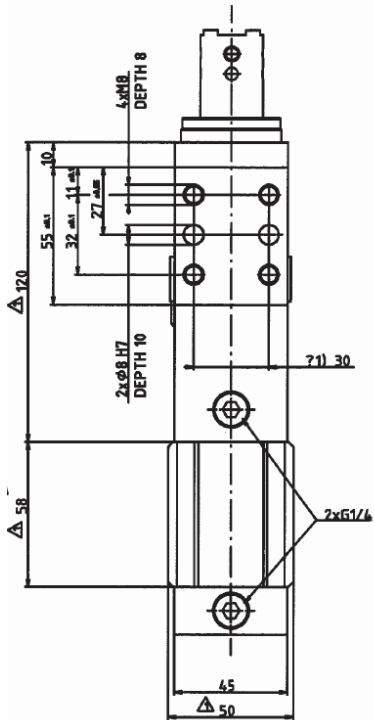
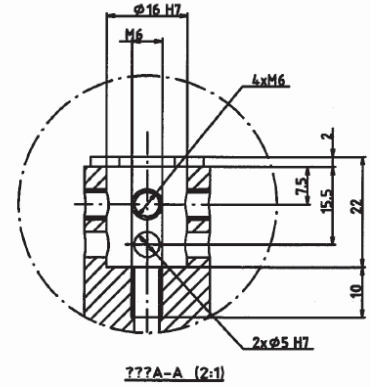
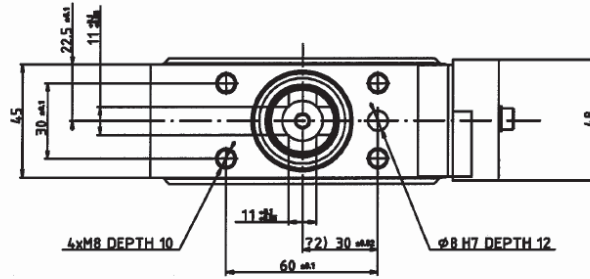
Switch Specifications

Manufacturer	TURCK
Type	Ni2-Q6.5-AP6-0.10-FS4.4*3/S304
Sensing Distance	2 mm
Supply Voltage	10~30 VDC
Output	N.O. PNP
Continuous Load Current	≤ 150 mA
Switching Frequency	30 Hz
Material Housing	PBT-GP30
Output Indication	Yellow, Red
Power-On Indication	Green

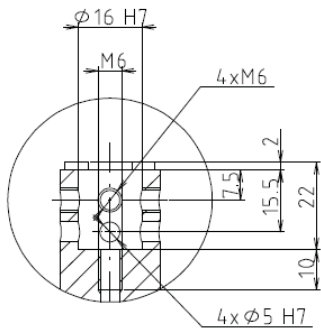
Pneumatic Switch Specifications

Manufacturer	SMC
Type	VM1000-4NU-01-X261
Operating Pressure	0.05 to 0.8 MPa
Ambient and Fluid Temperature	- 5° to 60°
Effective Area	1 mm ²

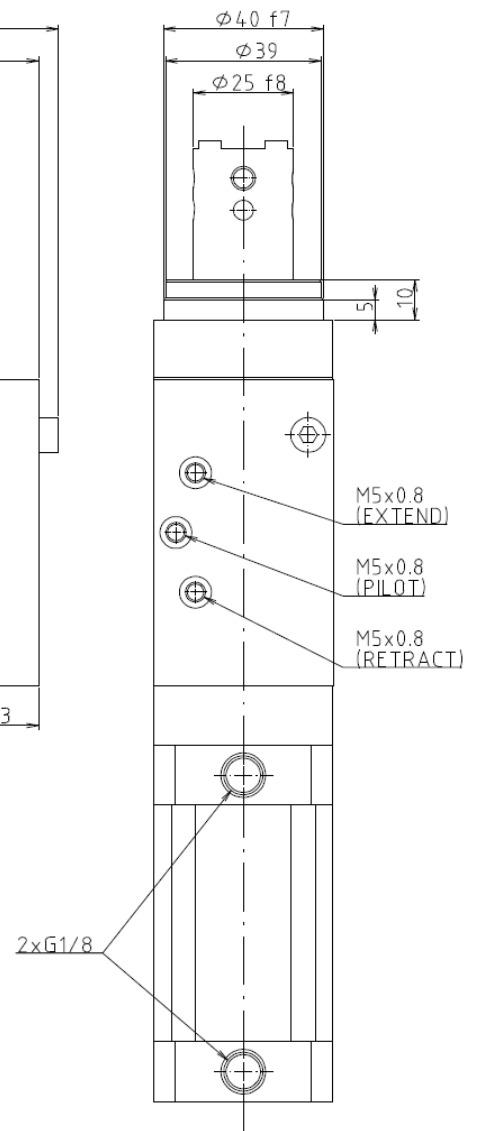
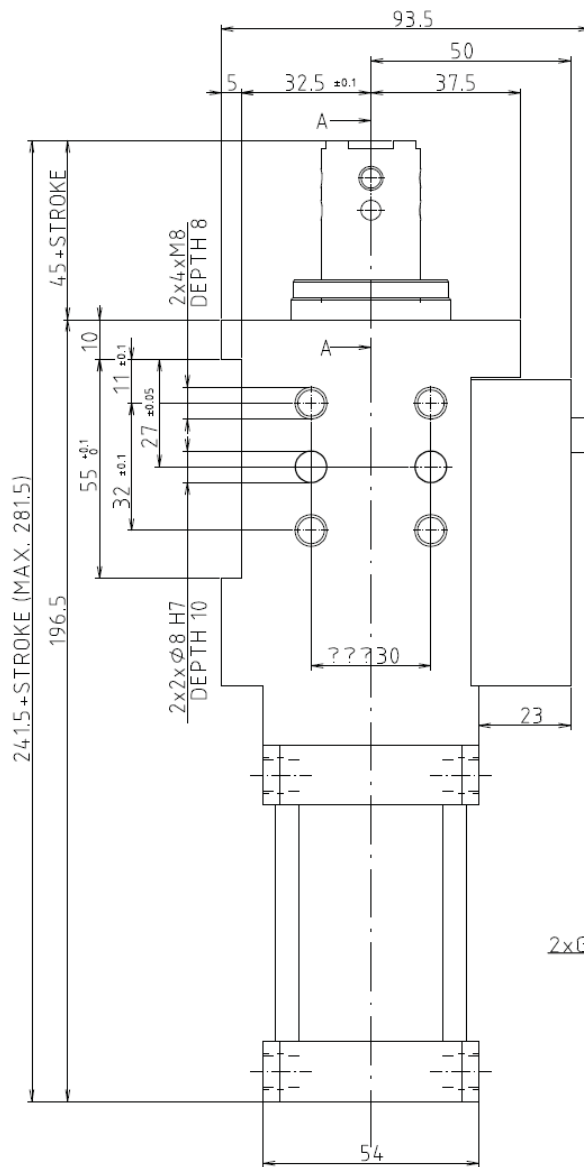
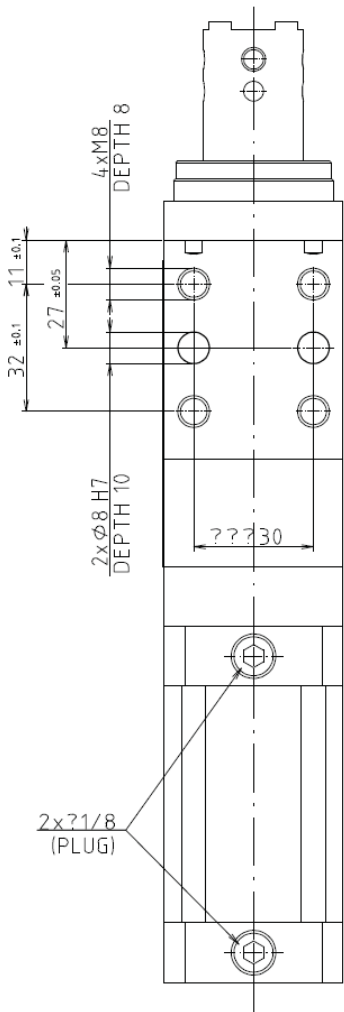
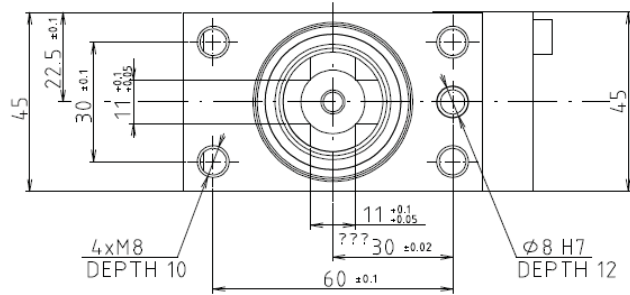
Dimensions (CKZP63-40-DCK9427K)



Dimensions (CKZP40-40-DCK768EK)



SECTION A-A (1:1)



Dimensions (CKZP63-40-DCK770EK)

