

Pressure Switch/ Micro Switch Type Series IS100

- The pressure switch IS100 series can be utilized for automatic air pressure control in a wide variety of fields, such as industrial machinery or chemical plant.

Pressure adjustment range: 0.02 to 0.1 MPa

Electric wiring: Various wiring and entry methods can be selected.

Mechanical service life: 100,000 cycles

How to Order

IS 1 00 - 02

Pressure switch • Port size Rc1/4

• Specifications

00	3-pin plug and socket
01	External terminals
12	Enclosed terminals

IS 1 13 - 02 - 04

Pressure switch • Port size Rc1/4

• Electrical entry

04	15a, G1/2
06	20a, G3/4

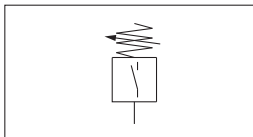
• Specifications

13	Enclosed terminals	With cable gland
14	Enclosed terminals	Female threaded

Specifications

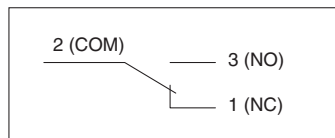
Model	IS100-02	IS101-02	IS112-02	IS113-02-□□	IS114-02-□□
Proof pressure	0.2 MPa				
Pressure adjustment range	0.02 to 0.1 MPa				
Hysteresis	0.0015 MPa or less				
Repeatability	±5% F.S.				
Fluid	Air				
Ambient and fluid temperature	-5 to 60°C (No freezing)				
Port size	Rc1/4				
Rated voltage	125/250 VAC 5A, 30 VDC 5A				
Mechanical service life	100,000 cycles				

Symbol

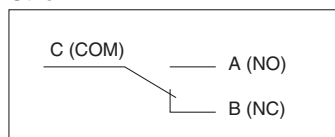


Electrical circuit

IS100

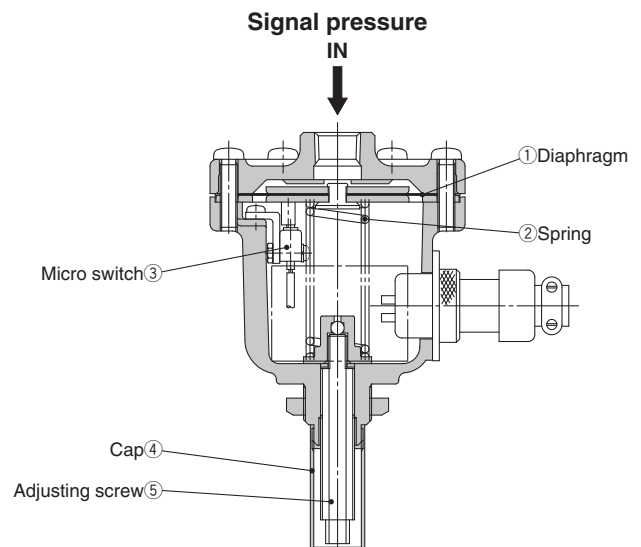


Other



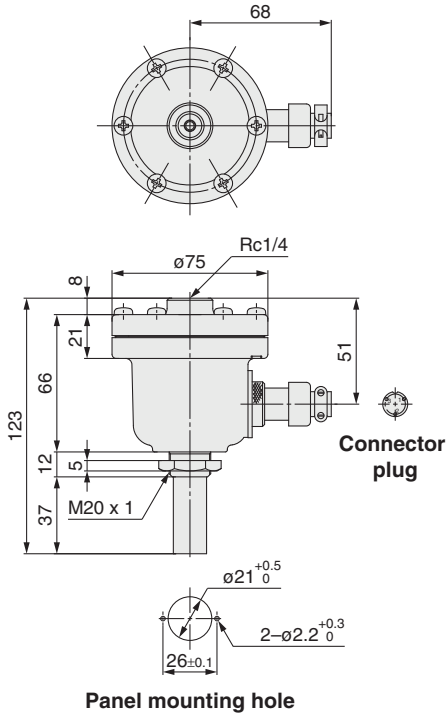
Construction/Principle of Operation

Signal pressure enters the chamber above diaphragm ① and exerts downward force compressing spring ②. After sufficient deflection, contact with the plunger of the micro switch ③ is made operating the electrical circuit. As overtravel of diaphragm is prevented by an internal stop, the micro switch is not subject to extra load with increased pressure. On decrease of signal pressure the electrical circuit function is reversed. Contacts are available for N.C. or N.O. operation. Adjustment is carried out by removing cap ④ and rotating adjusting screw as required changing spring load.

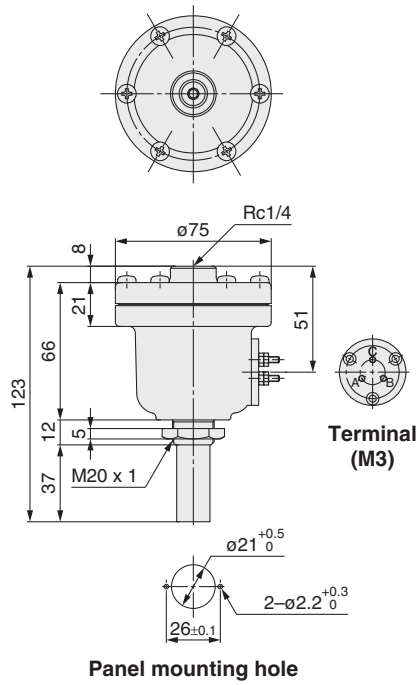


Dimensions

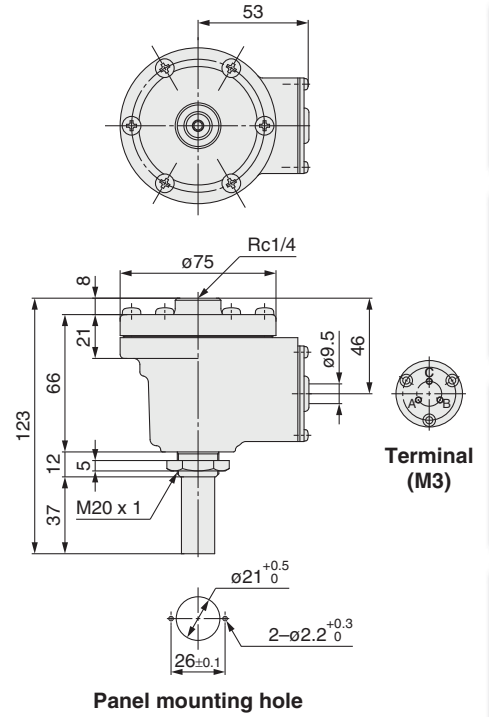
IS100-02



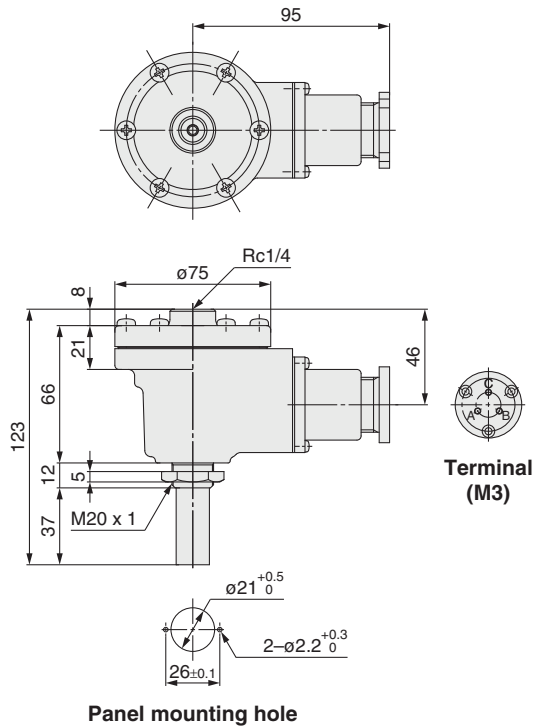
IS101-02



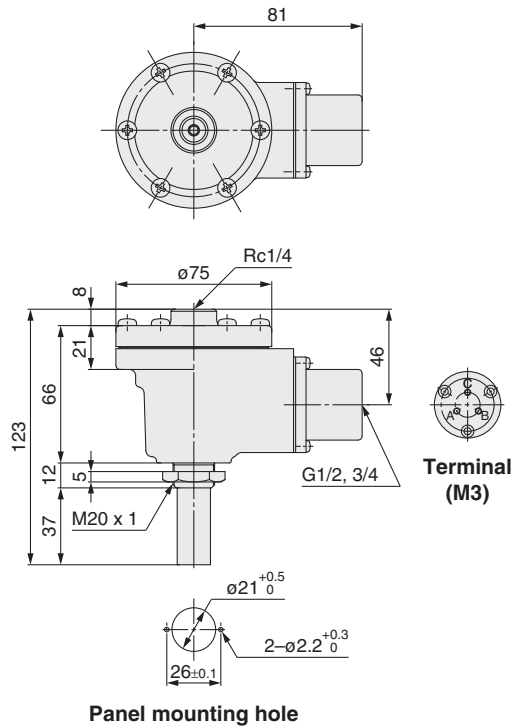
IS112-02



IS113-02-□



IS114-02-□



Positioners

Regulators

Relays/Valves

Electro-Pneumatic Transducers

Actuators

Detection Conversion Unit

Solenoid Valves

Air Preparation Equipment

Industrial Filters

Piping Materials