

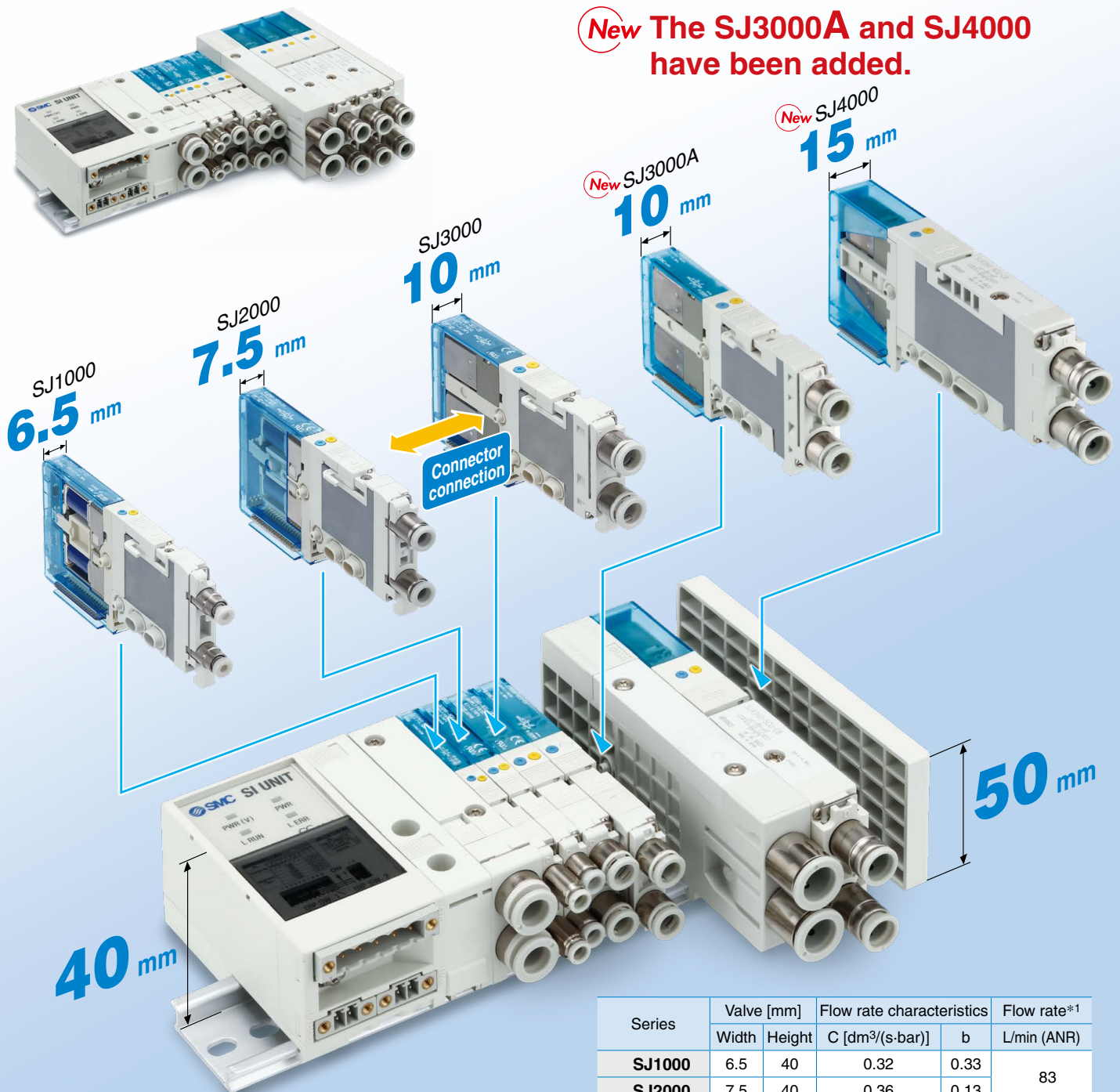
4-Port Solenoid Valve Cassette Type Manifold

Rubber Seal



SJ Series-5 sized valves can be mixed

New The **SJ3000A** and **SJ4000** have been added.



Series	Valve [mm]		Flow rate characteristics		Flow rate*1 L/min (ANR)
	Width	Height	C [dm ³ /(s·bar)]	b	
SJ1000	6.5	40	0.32	0.33	83
SJ2000	7.5	40	0.36	0.13	
SJ3000	10	40	0.56	0.11	128
New SJ3000A	10	40	0.76	0.19	181
New SJ4000	15	50	2.61	0.20	625

*1 Inlet pressure: 0.6 MPa, Outlet pressure: 0.5 MPa (at 20°C)

SJ1000/2000/3000/4000 Series

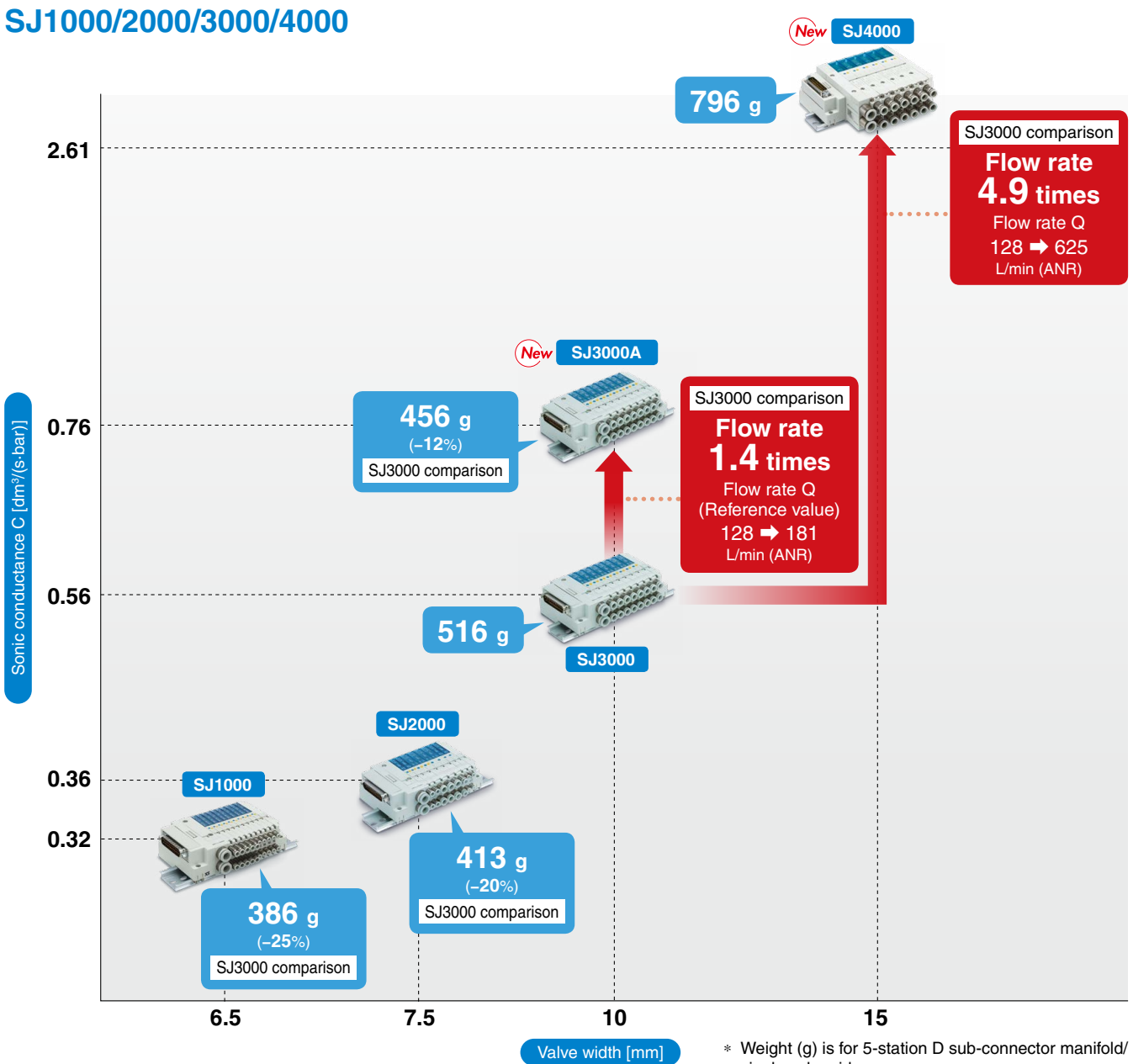


CAT.ES11-87E

CAT.ES11-87E 2023-9

4-Port Solenoid Valve Cassette Type Manifold SJ1000/2000/3000/4000 Series

SJ1000/2000/3000/4000



* Weight (g) is for 5-station D sub-connector manifold/ single solenoid
 * Flow rate Q is reference figure when the inlet side is 0.6 MPa, and the outlet side is 0.5 MPa (20°C)

Power consumption

0.15 W*¹ (SJ3000/4000 with power-saving circuit)

0.23 W*¹ (SJ1000/2000 with power-saving circuit)

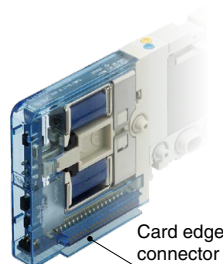
*¹ Refer to page 140 for details.

Connector type (Card edge type)

SJ1000, SJ2000, SJ3000, and SJ4000 series valves can be mounted together.

- Easily increase or decrease the number of stations and easily replace valves

- The 34-pin connector allows for up to 16 stations with double solenoids or 32 stations with single solenoids.



Card edge connector

Non plug-in individual wiring compliant

* SJ2000/3000 only

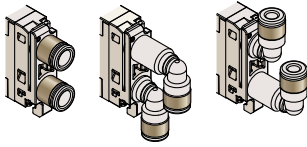


The manifold uses halogen-free lead wires.

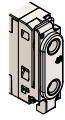
4-Port Solenoid Valve Cassette Type Manifold *SJ1000/2000/3000/4000 Series*

Piping variations

With One-touch fittings



Threaded type

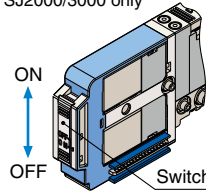


The threaded type is not available for the 1(P) or 3/5(E) ports.

	SJ1000	SJ2000	SJ3000	SJ4000
Elbow fitting	—	●	●	—
Thread piping	—	●	●	—

With switch (Connector type)

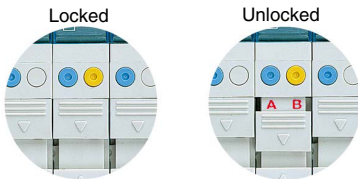
- It is possible to shut off the signal of each valve individually.
 - Manual operation is possible by switching the valve OFF, even if it is in an energized state.
- * SJ2000/3000 only



The valve coil is kept in a de-energized state even when there is an electric signal from the manifold side connector, and this enables manifold operation.

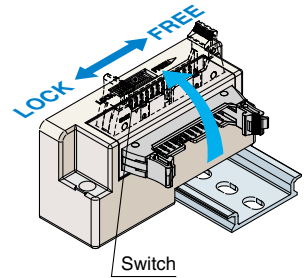
Manual locking

A sliding mechanism covers the manual override button to prevent unintentional operation.



Connector mounting direction

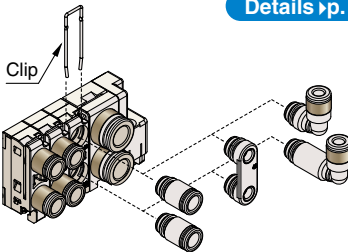
Connector mounting direction can be changed by sliding the switch.



Fittings are replaceable.

Fittings (including type and size) can be easily changed by removing a clip.

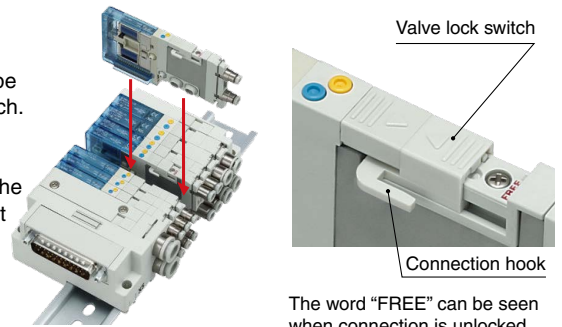
Details ▶ p. 142



Valve connection mechanism

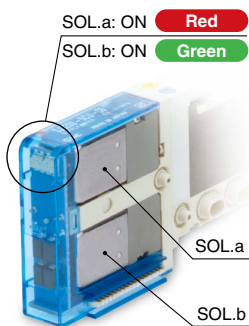
Connection between valves can be secured using the valve lock switch. Connection can be confirmed by checking to see whether the connection hook is inserted into the connection groove of the adjacent valve.

* Excludes the SJ4000



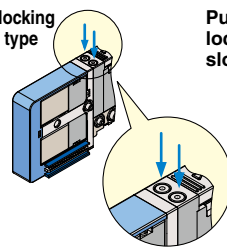
The word "FREE" can be seen when connection is unlocked.

Light indication

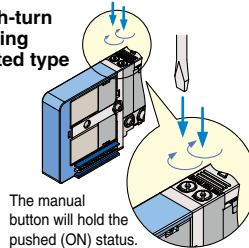


Type of manual override

Non-locking push type

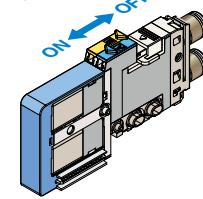


Push-turn locking slotted type

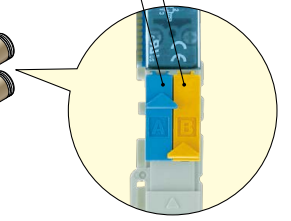


The manual button will hold the pushed (ON) status.

Slide locking type



A side manual (Blue) B side manual (Yellow)

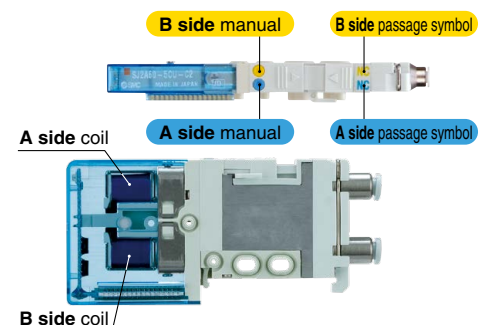


	SJ1000	SJ2000	SJ3000	SJ4000
Non-locking push type	●	●	●	●
Push-turn locking slotted type	●	●	●	●
Slide locking type	—	●	●	—

4-position dual 3-port valve

- 3-port valves integrated into a single valve
- It is possible to control the 4(A) and 2(B) ports individually.
- Can be mounted on the same manifold as a 4-port valve
- 3 types of combinations are available.

A side	B side	Symbol
N.C. valve	N.C. valve	<p>4(A) 2(B)</p> <p>5(EA) 1(P) 3(EB)</p>
N.O. valve	N.O. valve	<p>4(A) 2(B)</p> <p>5(EA) 1(P) 3(EB)</p>
N.C. valve	N.O. valve	<p>4(A) 2(B)</p> <p>5(EA) 1(P) 3(EB)</p>



4-Port Solenoid Valve Cassette Type Manifold *SJ1000/2000/3000/4000 Series*

Connector Type Manifold

D-sub connector



Flat ribbon cable



EX180 Integrated type (for output) serial transmission system

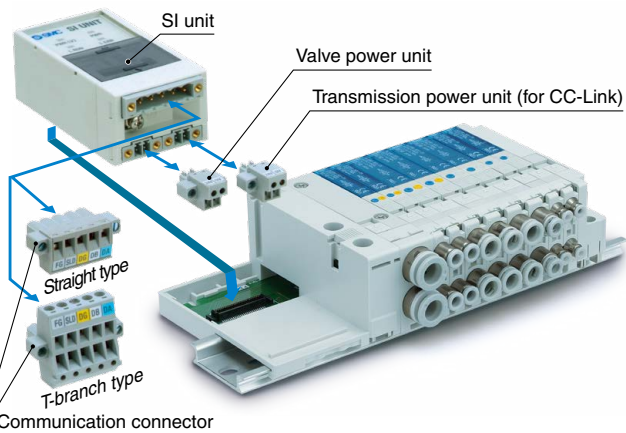
* Connector type only



- CC-Link (32 outputs), DeviceNet® (16 or 32 outputs)
- The connector allows for easy attaching/detaching of the SI unit and wiring.

Separated valve power unit and transmission power unit/Improved maintenance safety

Select between a T-branch or a straight type communication connector



For DeviceNet®, a transmission power unit exists in the communication connector side of the T-branch or straight type.

EX510 Gateway type serial transmission system

* Connector type only

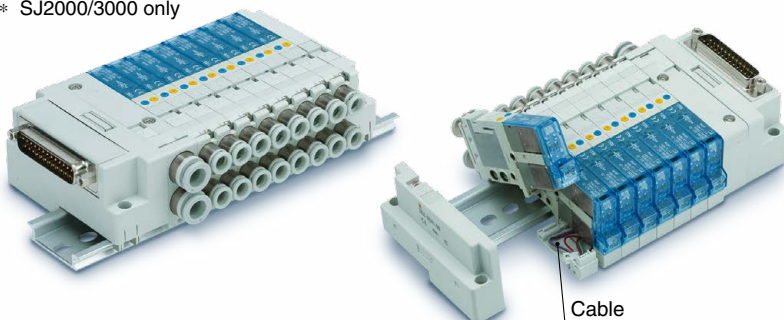
* Excludes the SJ4000



- Max. 128 points (Input 64 points/Output 64 points)
- All wires can be plugged into the connector units.
- CC-Link, DeviceNet®, and PROFIBUS-DP compliant

Plug-in Cable Type Manifold

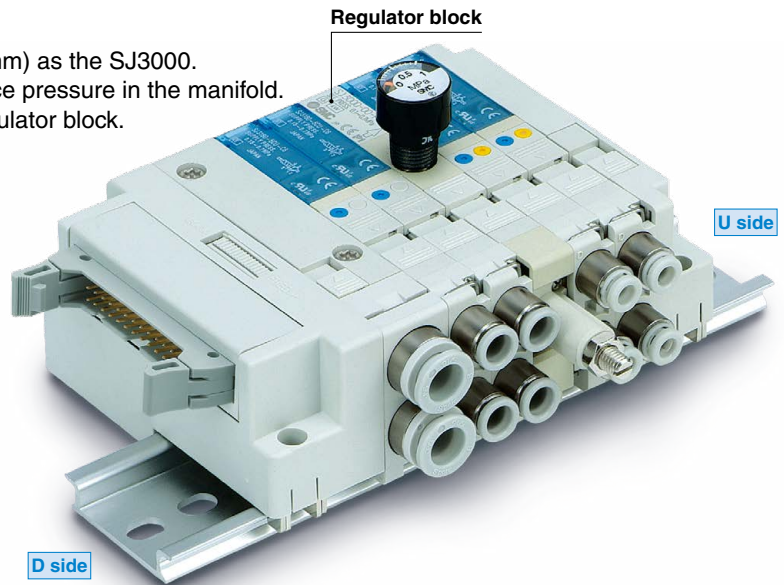
* SJ2000/3000 only



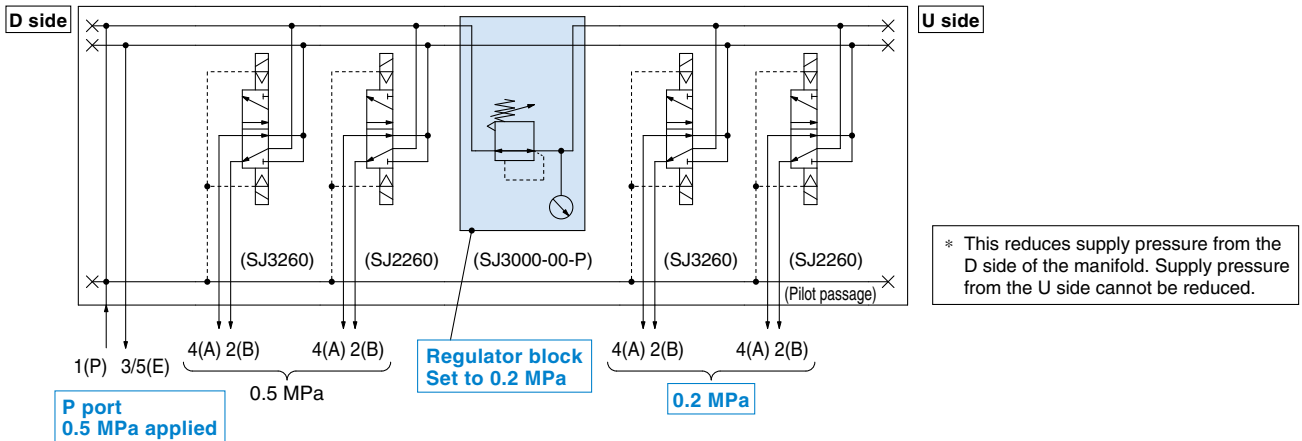
Regulator block Details ▶ p. 109

This is a regulator block with the same width (10 mm) as the SJ3000. Pressure supplied from the D side is used to reduce pressure in the manifold. The U side valves are all depressurized by the regulator block.

* Excludes the SJ4000



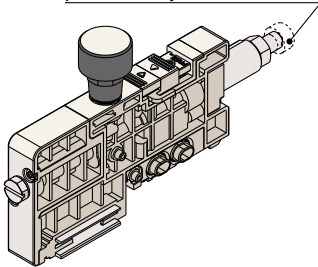
Pneumatic circuit (Example of a regulator block installation)



Both the pressure gauge mounting position and the method of operating the pressure adjustment screw can be selected.

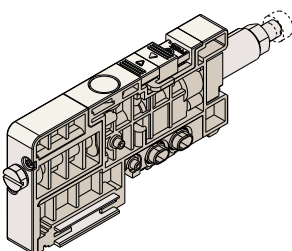
SJ3000-00-P(-H)

With manual operation of the pressure adjustment screw



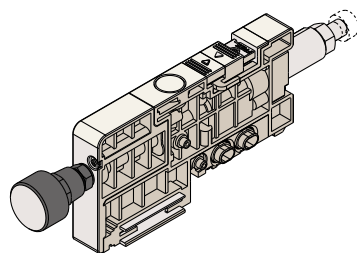
Pressure gauge, top mounting

SJ3000-M1-P(-H)

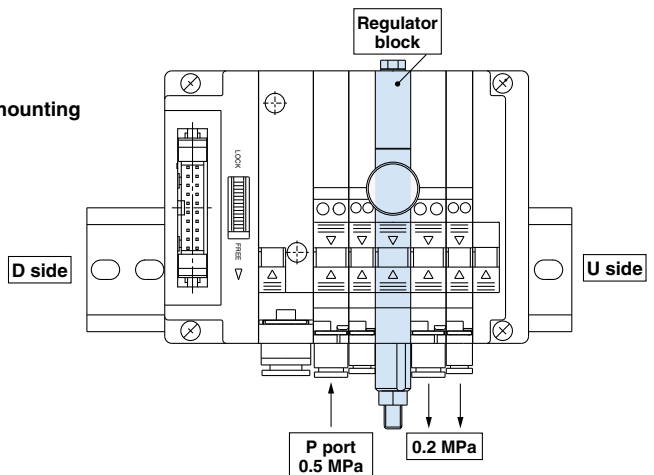


Without pressure gauge

SJ3000-01-P(-H)



Pressure gauge, side mounting

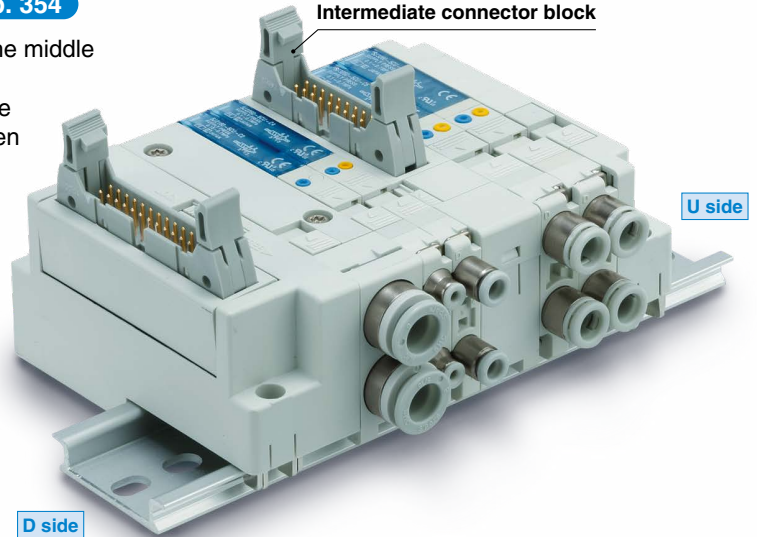
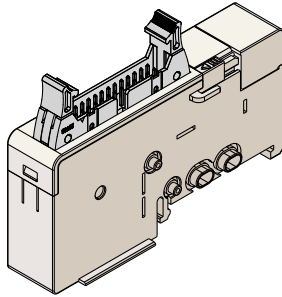


4-Port Solenoid Valve Cassette Type Manifold SJ1000/2000/3000/4000 Series

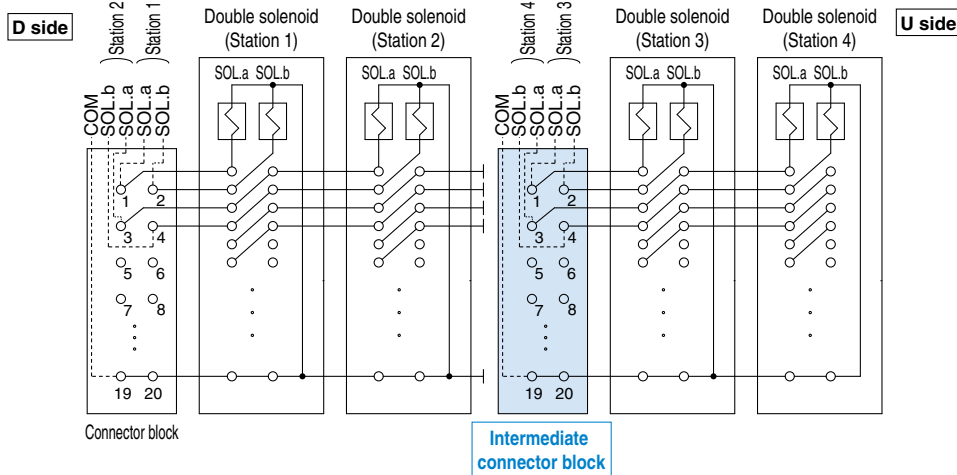
Intermediate connector block Details ▶ p. 354

This connector block can be used by inserting it into the middle of the manifold.

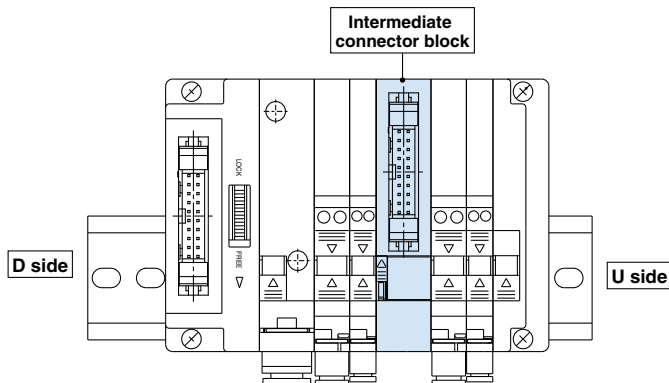
It can be used, for example, when you wish to separate electrical control of valves in the same manifold or when the number of control points is insufficient.



Intermediate connector block wiring example



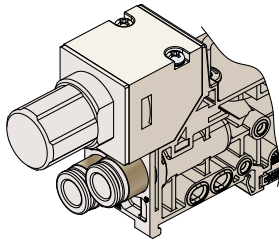
- * The U side solenoid valve with an intermediate connector block can be controlled.
- * To use the intermediate connector block, place an order in manifold specifications sheet.



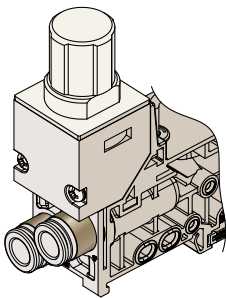
SUP/EXH block with regulator and pressure switch [Details ▶ p. 111](#)

This pressure regulator is intended to adjust the SUP pressure of the manifold. Additionally, a pressure switch and pressure gauge can be mounted on it.

* Excludes the SJ4000

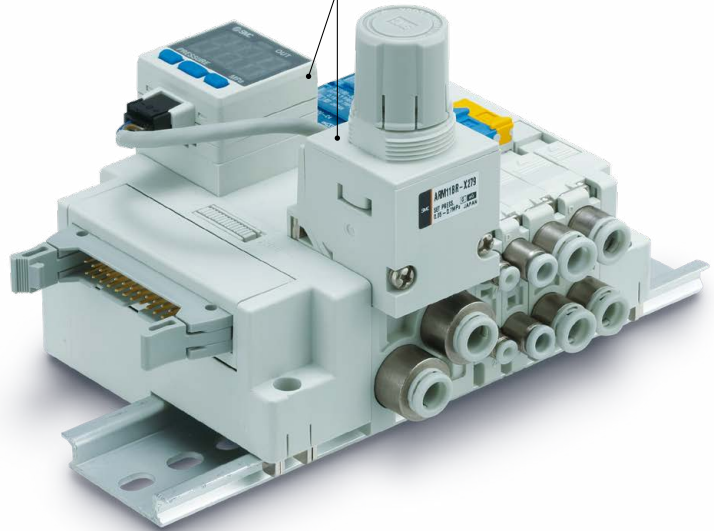


Lateral knob



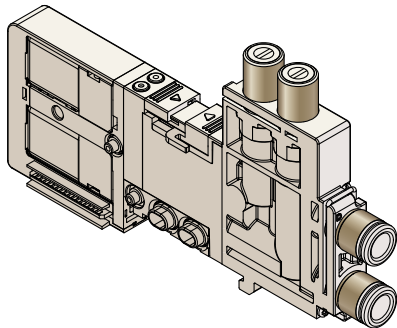
Upward knob

SUP/EXH block with regulator and pressure switch



Valve with speed controller [Details ▶ p. 111](#)

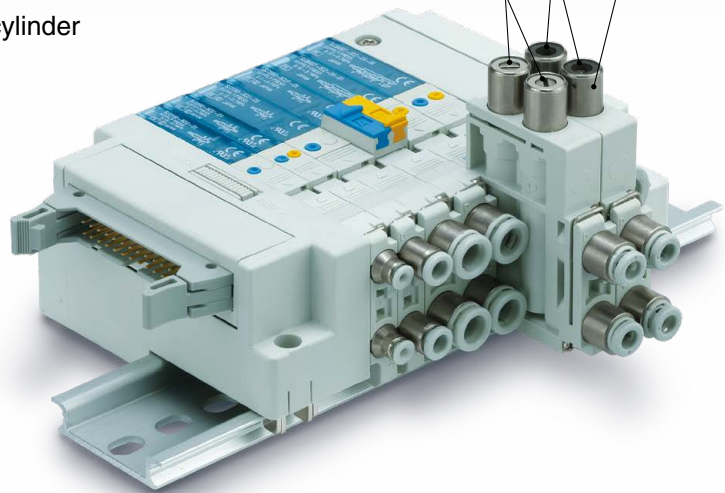
As a speed controller is built into this valve, the cylinder speed can be adjusted on the valve side. 2 types, meter-in and meter-out, are provided.



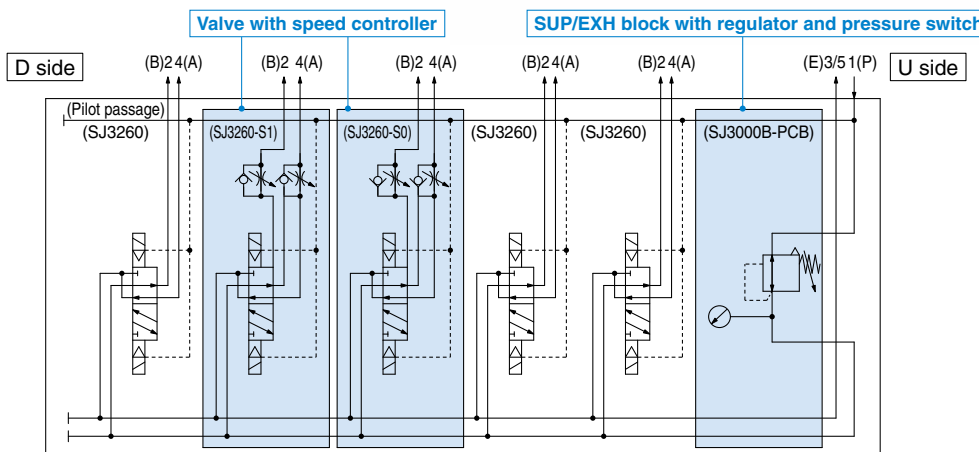
Valve with speed controller

Meter-in: Black

Meter-out: Silver



Pneumatic circuit (Installation example of a SUP/EXH block with regulator and pressure switch and a valve with speed controller)



4-Port Solenoid Valve Cassette Type Manifold SJ1000/2000/3000/4000 Series

Low-profile SUP/EXH block [Details >p. 117](#)

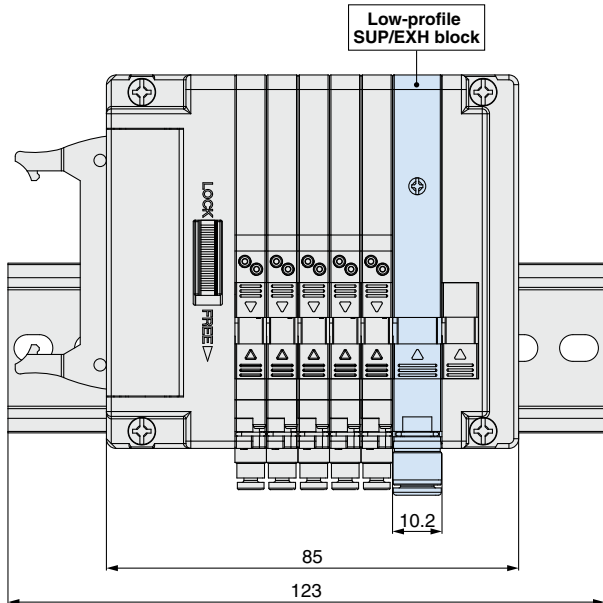
(Made to order)

The width dimension of the SUP/EXH block is only 10.2 mm, smaller than the 15.5 mm width of the standard product, which allows for the length of the entire manifold to be reduced.

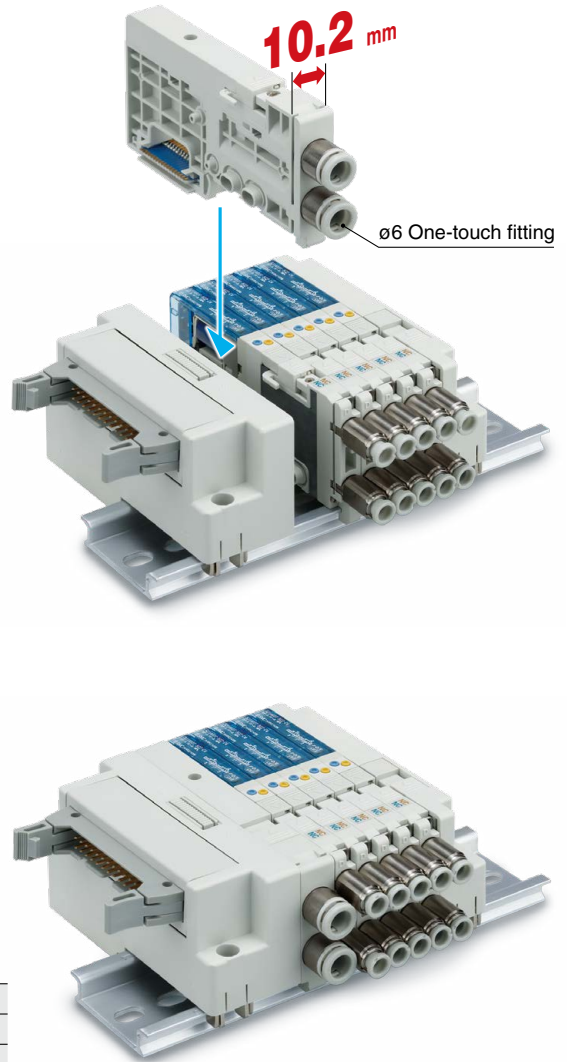
* Excludes the SJ4000

	Width	Reduction
Low-profile SUP/EXH block	10.2	5.3
Standard product	15.5	—

[mm]



* SJ1000 5-station manifold example



Flow Rate Characteristics

Series	Port size		Flow rate characteristics	
	1(P) 3/5(E)	4, 2 (A, B)	1 → 4/2 (P → A/B) C [dm ³ /(s·bar)]	4/2 → 3/5 (A/B → E) C [dm ³ /(s·bar)]
SJ1000	C6	C2	0.12	0.13
		C4	0.26	0.30
SJ2000	C6	C2	0.13	0.13
		C4	0.30	0.34
		M3	0.18	0.20
SJ3000	C6	C2	0.13	0.14
		C4	0.38	0.45
		C6	0.45	0.51
		M5	0.40	0.45

* The values are for an individually operated 2-position type manifold base with 5 stations.

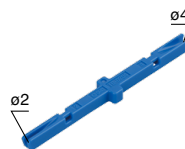
* Excludes the SJ3000A (Large flow type) and SJ4000

Tube Releasing Tool [Web Catalog](#)

Use this to remove tubing from A, B and P, E ports.

Part no.	Applicable port	TG-0204	TG-0608	TG-1012
		ø2/ø4	ø6/ø8	ø10
SJ1000	For A, B port	●	—	—
	For P, E port	—	●	—
SJ2000	For A, B port	●	—	—
	For P, E port	—	●	—
SJ3000	For A, B port	●	●	—
	For P, E port	—	●	—
SJ4000	For A, B port	—	●	—
	For P, E port	—	●	●

TG-0204



TG-0608



TG-1012



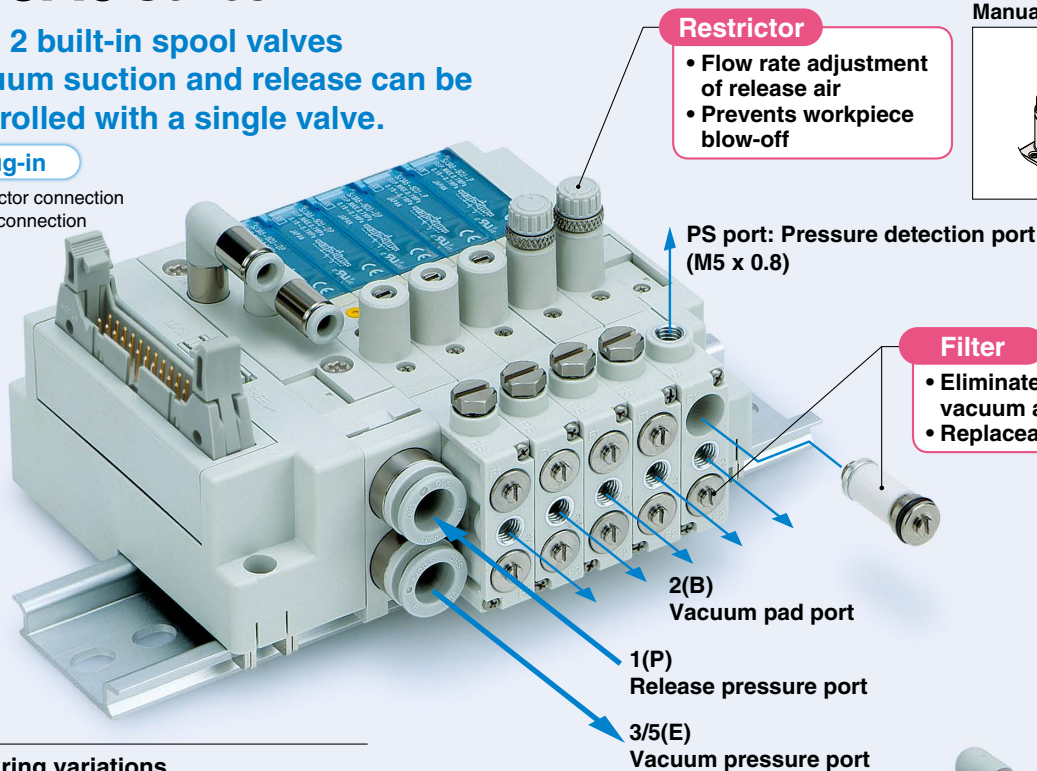
Vacuum Release Valve with Restrictor

SJ3A6 Series

With 2 built-in spool valves
Vacuum suction and release can be controlled with a single valve.

Plug-in

Connector connection
Cable connection

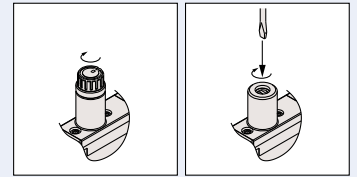


Restrictor

- Flow rate adjustment of release air
- Prevents workpiece blow-off

Manual

Slotted locking type



Filter

- Eliminates foreign matter on the vacuum and release sides
- Replaceable

Wiring variations

<Connector connection>

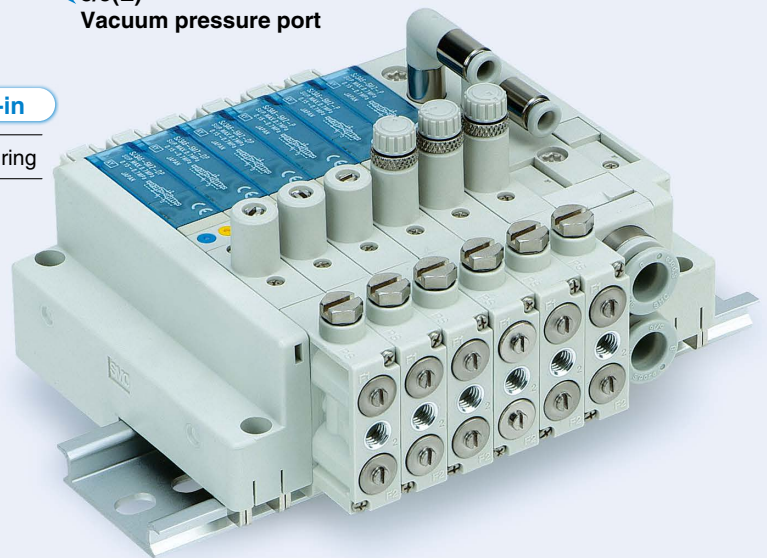
- D-sub connector
- Flat ribbon cable
- Serial (EX180)
- Serial (EX510)

<Cable connection>

- D-sub connector
- Flat ribbon cable

Non plug-in

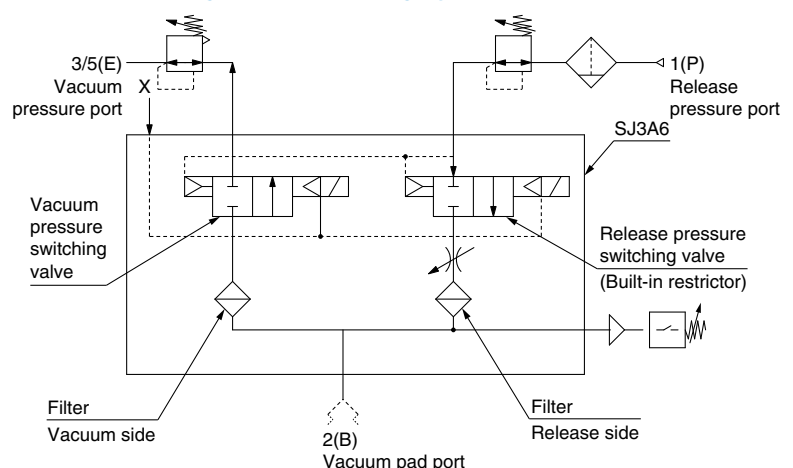
- Individual wiring



- Power consumption: **0.15 W***1 (with power-saving circuit)
- **Width: 10 mm** (same as the SJ3000 series)
- Equipped with restrictor to enable flow rate adjustment of release air
- Replaceable filters are built-in on the vacuum and release sides.
- Equipped with a pressure detection port which allows for the connection of a pressure switch, etc.
- Can be **combined** with 4-port solenoid valves, as well as SJ1000, 2000, and 3000 series valves (Special order)
(Please contact SMC for details.)
- Enables **2-system pressure** switching where the 1(P) port and the 3/5(E) port are set to different positive pressures
(In this case, flow can be adjusted on the P-port side only.)

*1 Refer to page 140 for details.




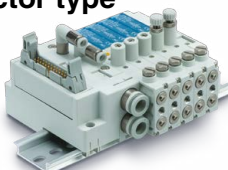
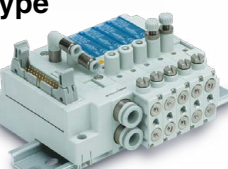

Adsorbing and Transferring System Circuit Example



Manifold Variations

4-Port Solenoid Valve SJ1000/2000/3000/4000 Series

Vacuum Release Valve with Restrictor SJ3A6 Series

Manifold type			Connection				
			Parallel wiring		Serial transmission		Individual wiring
Item	D-sub connector	Flat ribbon cable	EX180 (For output)	EX510 (Gateway type)			
	4-port solenoid valve	Plug-in 	Connector type SJ1000/2000/ 3000/4000 SS5J1/2/3/4-60□	● p. 29	● p. 29	● p. 61	● ^{*8} p. 77
Cable type 		SJ2000/3000 SS5J2/3-60L□	● p. 33	● p. 33	—	—	—
Non plug-in 		SJ2000/3000 SS5J2/3-60□	—	—	—	—	● p. 95
Vacuum release valve with restrictor	Plug-in 	Connector type SJ3A6 SS3J3-V60□	● p. 127	● p. 127	● p. 127	● p. 127	● ^{*1} p. 128
	Cable type 	SJ3A6 SS3J3-V60L□	● p. 129	● p. 129	—	—	—
	Non plug-in 	SJ3A6 SS3J3-V60□	—	—	—	—	● p. 133

- *1 A linkage-printed circuit board is built into individual wiring valves so as to allow for use in combination with the plug-in types.
- *2 Specify the required specifications on the manifold specification sheet.
- *3 All single wiring or all double wiring can be specified.
- *4 The vacuum release valve can only use double wiring.

- *5 Only the SJ3000 size is available.
- *6 Adding 1 additional station is possible up to the max. number of stations.
- *7 Only the SJ2000 and SJ3000 sizes are available.
- *8 Excludes the SJ4000

SJ1000/2000/3000/4000 Series

SJ3A6 Series

	Manifold options											Solenoid valve specifications				
	Mixed wiring Single/Double	Mixed type M60 SJ1000/2000/3000/4000	Block disk/ Different pressure pneumatic circuit diagram	Blanking block	Dual flow fitting	Regulator block	SUP/EXH block with regulator and pressure switch	Valve with speed controller	Intermediate connector block	Increase of manifold stations	Low-profile SUP/EXH block	Voltage suppressor			With individual switch	Main valve fluororubber specification
												Non-polar	+/- common Polar	With power-saving circuit		
	● ^{*2}	● p. 29 p. 31	● p. 103	● p. 105	● ^{*5} p. 108	● ^{*8} p. 109	● ^{*8} p. 111	● ^{*5} p. 111	● ^{*8} p. 115	● p. 90	● ^{*8} p. 117	● ^{*7}	●	●	● ^{*7}	● ^{*7} p. 116
	—	—	● p. 103	● p. 105	● ^{*5} p. 108	—	—	● ^{*5} p. 111	—	● ^{*6} p. 91	● p. 117	—	●	●	—	● p. 116
	●	● ^{*7} p. 95	● p. 103	● p. 105	● ^{*5} p. 108	● p. 109	● p. 111	● ^{*5} p. 111	—	● p. 90	● p. 117	—	●	—	—	● p. 116
	—	—	● p. 103	● p. 105	—	—	—	—	● p. 115	● p. 90	● p. 117	●	●	●	●	● p. 116
	—	—	● p. 103	● p. 105	—	—	—	—	—	● ^{*6} p. 91	● p. 117	—	●	●	—	● p. 116
	—	—	● p. 103	● p. 105	—	—	—	—	—	● p. 90	● p. 117	—	●	—	—	● p. 116

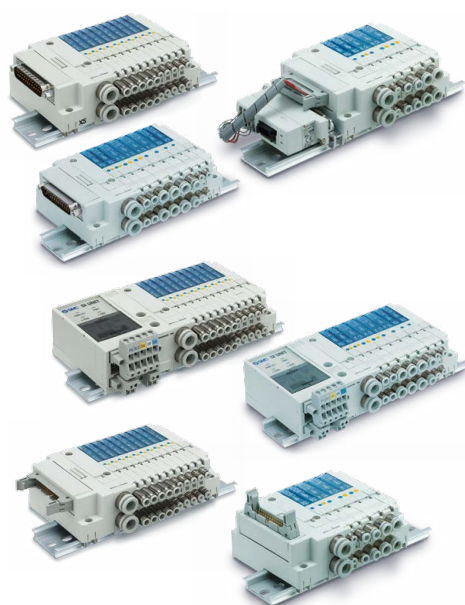
CONTENTS

Manifold Variations	p. 9
---------------------------	------

4-Port Solenoid Valve *SJ1000/2000/3000/4000 Series*

Common Specifications	p. 13
Construction	p. 18

Plug-in Connector Type Manifold/Cable Type Manifold **p. 28**



D-sub Connector/Flat Ribbon Cable

How to Order: Connector Type	p. 29
How to Order: Cable Type	p. 33
Manifold Electrical Wiring: Connector Type, Cable Type	p. 35
Dimensions: Connector Type, Cable Type	p. 37

EX180 Integrated Type (For Output) Serial Transmission System

How to Order: Connector Type	p. 61
Dimensions: Connector Type	p. 65

EX510 Gateway Type Serial Transmission System

How to Order: Connector Type	p. 77
Dimensions: Connector Type	p. 79

Manifold Exploded View: Connector Type, Cable Type	p. 86
---	--------------

Manifold Exploded View (Mixed Specification): Connector Type	p. 89
---	--------------

How to Increase Manifold Stations: Connector Type, Cable Type	p. 92
--	--------------

Non Plug-in Individual Wiring Manifold **p. 94**



Individual Wiring

How to Order	p. 95
Dimensions	p. 97

Manifold Exploded View: Individual Wiring	p. 102
--	---------------

Manifold Options	p. 103
------------------------	--------

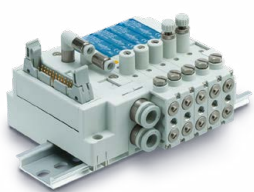
Made to Order	p. 116
---------------------	--------

Vacuum Release Valve with Restrictor *SJ3A6 Series* **p. 124**

Common Specifications p. 125

Construction/Circuit Example p. 126

Plug-in Connector Type Manifold/Cable Type Manifold



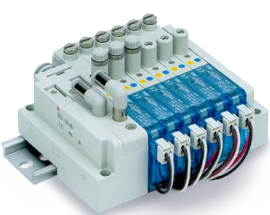
D-sub Connector/Flat Ribbon Cable/Serial Wiring (EX180/EX510)

How to Order: Connector Type p. 127

How to Order: Cable Type p. 129

Dimensions: Connector Type, Cable Type p. 131

Non Plug-in Individual Wiring Manifold



Individual Wiring

How to Order p. 133

Dimensions p. 135

Manifold Exploded View: Connector Type, Cable Type, Individual Wiring p. 136

Specific Product Precautions p. 138

4-Port Solenoid Valve

SJ1000/2000/3000/4000 Series

Common Specifications

Manifold Specifications

Model*1	D-sub connector		Flat ribbon cable				Serial wiring		Individual wiring
	Type 60F (Connector type/ Cable type)	Type 60P (Connector type/ Cable type)	Type 60PG (Connector type/ Cable type)	Type 60PH (Connector type/ Cable type)	Type 60S□ EX180/ (Connector type)	Type 60S6B*4 EX510/ (Connector type)	Type 60*4		
Manifold type	Plug-in, Connector type/Cable type				Plug-in, Connector type		Non plug-in		
1(P: SUP), 3/5(E: EXH)	Common SUP, EXH								
Valve stations	Connector type: 1 to 24 stations Cable type: 2 to 20 stations		1 to 18 stations (Type PG)	1 to 8 stations	1 to 32 stations	1 to 16 stations	1 to 20 stations		
Applicable connector	D-sub connector Compliant with MIL-C-24308 JIS-X-5101	Flat ribbon cable connector Socket: 26 pins MIL type with strain relief Compliant with MIL-C-83503	Flat ribbon cable connector Socket: 20 pins MIL type with strain relief Compliant with MIL-C-83503	Flat ribbon cable connector Socket: 10 pins MIL type with strain relief Compliant with MIL-C-83503	—	—	—		
Internal wiring	SJ1000	Connector type: positive common, negative common						—	
	SJ2000/3000(A)	Connector type: non-polar, positive common, negative common/Cable type: positive common, negative common						—	
	SJ4000	Connector type: non-polar, positive common, negative common						—	
4(A), 2(B) port piping specification	Location	Valve							
	Direction	Horizontal, Upward, Downward (Elbow fittings are used for upward or downward. Upward and downward are not available for the SJ1000/4000.)							
Port size	1(P), 3/5(E) port	SJ1000/2000/3000(A)	C6, C8, N7, N9*5						
		SJ4000	C10*6						
	4(A), 2(B) port	SJ1000	C2, C4						
		SJ2000	C2, C4, N1, N3, M3						
		SJ3000	C2, C4, C6, N1, N3, N7, M5						
		SJ3000A	C4, C6						
		SJ4000	C6, C8						
Weight W [g]*2 (n: Number of SUP/EXH blocks m: Weight of DIN rail)	SJ1000/2000/3000(A)	Standard: $W = 51n + m + 133$ Low-profile SUP/EXH block specification: $W = 32n + m + 133$ *3							
	SJ4000	Manifold [D-sub connector]: $W = 81n + m + 144$							

*1 The SJ1000/4000 series does not support cable connection or individual wiring.

*2 The weight W is the value for the D-sub connector manifold with internal pilot and SUP/EXH block straight fittings specifications only. To obtain the weight with solenoid valves mounted, add the solenoid valve weights given on page 16 for the appropriate number of stations. Refer to page 106 for the weight of the DIN rail. (Please contact SMC for the weight of the external pilot specification with elbow fittings.)

*3 Refer to page 117 for low-profile SUP/EXH block specifications.

*4 Not available for the SJ4000 series

*5 Inch size elbow fittings are not available.

*6 Metric/Inch size elbow fittings are not available.

* When many valves are operated simultaneously, use the B type (SUP/EXH both sides), supplying pressure to the 1(P) ports on both sides and exhausting from the 3/5(E) ports on both sides.

Flow Rate Characteristics

SJ1000 Series

Port size		Flow rate characteristics					
1(P) 3/5(E)	4, 2 (A, B)	1 → 4/2 (P → A/B)			4/2 → 3/5 (A/B → E)		
		C [dm ³ /(s·bar)]	b	Cv	C [dm ³ /(s·bar)]	b	Cv
C8	C2	0.12	0.64	0.04	0.13	0.59	0.04
	C4	0.28	0.35	0.08	0.32	0.33	0.08

SJ2000 Series

Port size		Flow rate characteristics					
1(P) 3/5(E)	4, 2 (A, B)	1 → 4/2 (P → A/B)			4/2 → 3/5 (A/B → E)		
		C [dm ³ /(s·bar)]	b	Cv	C [dm ³ /(s·bar)]	b	Cv
C8	C2	0.13	0.55	0.04	0.13	0.50	0.04
	C4	0.33	0.16	0.08	0.36	0.13	0.08
	M3	0.18	0.52	0.06	0.20	0.29	0.06

SJ3000 Series

Port size		Flow rate characteristics					
1(P) 3/5(E)	4, 2 (A, B)	1 → 4/2 (P → A/B)			4/2 → 3/5 (A/B → E)		
		C [dm ³ /(s·bar)]	b	Cv	C [dm ³ /(s·bar)]	b	Cv
C8	C2	0.13	0.56	0.04	0.14	0.51	0.04
	C4	0.42	0.17	0.11	0.45	0.16	0.11
	C6	0.55	0.10	0.12	0.56	0.11	0.12
	M5	0.40	0.28	0.11	0.45	0.15	0.11

SJ3000A Series

Port size		Flow rate characteristics					
1(P) 3/5(E)	4, 2 (A, B)	1 → 4/2 (P → A/B)			4/2 → 3/5 (A/B → E)		
		C [dm ³ /(s·bar)]	b	Cv	C [dm ³ /(s·bar)]	b	Cv
C8	C4	0.53	0.34	0.17	0.75	0.21	0.20
	C6	0.68	0.27	0.19	0.76	0.19	0.21
	M5	0.55	0.33	0.16	0.75	0.21	0.20

SJ4000 Series

Port size		Flow rate characteristics					
1(P) 3/5(E)	4, 2 (A, B)	1 → 4/2 (P → A/B)			4/2 → 3/5 (A/B → E)		
		C [dm ³ /(s·bar)]	b	Cv	C [dm ³ /(s·bar)]	b	Cv
C10	C6	1.47	0.36	0.43	2.34	0.34	0.70
	C8	2.14	0.24	0.58	2.61	0.20	0.68

* The values are for an individually operated 2-position type manifold base with 5 stations.
Please contact SMC for details on 4-position dual 3-port valves.

Common Specifications
Construction

Plug-in
D-sub
Flat Ribbon

EX180
EX510

Non
Plug-in

Individual
Wiring
Manifold
Options

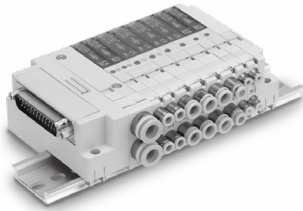
Made to
Order

SJ3A6
D-sub
Flat Ribbon
Serial

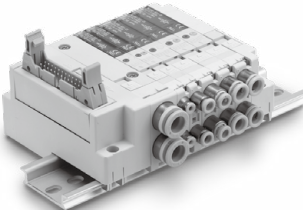
Non
Plug-in

Individual
Wiring
Specific Product
Precautions

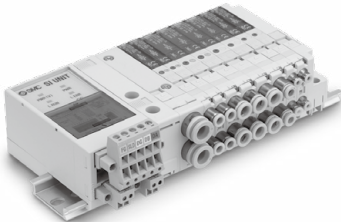
SJ1000/2000/3000/4000 Series



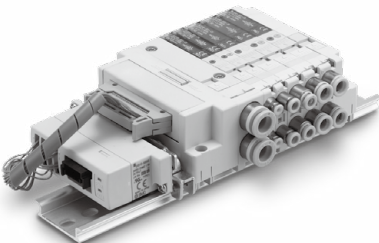
D-sub connector



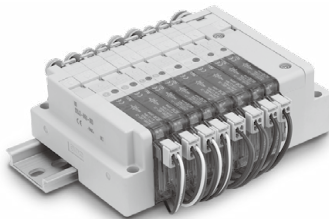
Flat ribbon cable



EX180 Integrated type (for output) serial transmission system



EX510 Gateway type serial transmission system



Individual wiring

Solenoid Valve Specifications

Fluid		Air	
Internal pilot operating pressure range [MPa]	2-position single		0.15 to 0.7
	4-position dual 3-port valve		
	2-position double		0.1 to 0.7
	3-position		0.2 to 0.7
External pilot operating pressure range [MPa]	Operating pressure range		-100 kPa to 0.7
	Pilot pressure range	2-position single	0.25 to 0.7
		2-position double	
3-position			
Ambient and fluid temperatures [°C]			-10 to 50 (No freezing)
Max. operating frequency [Hz]	2-position single, double		10 (SJ4000: 5 Hz)
	4-position dual 3-port valve		
	3-position		3
Manual override (Manual operation)			Non-locking push type Push-turn locking slotted type
Pilot exhaust method	Internal pilot		Main and pilot valve common exhaust
	External pilot		Pilot valve individual exhaust
Lubrication			Not required
Mounting orientation			Unrestricted
Impact/Vibration resistance [m/s ²]			150/30
Enclosure			Dustproof

* Impact resistance : No malfunction occurred when it is tested with a drop tester in the axial direction and at the right angles to the main valve and armature in both energized and de-energized states every once for each condition. (Value in the initial state)

Vibration resistance: No malfunction occurred in one sweep test between 45 and 2000 Hz in the axial direction and at the right angles to the main valve and armature in both energized and de-energized states for each condition. (Value in the initial state)

Solenoid Specifications

Coil rated voltage		24 VDC, 12 VDC*4	
Allowable voltage fluctuation		±10% of rated voltage*1	
Power consumption [W]	Standard	SJ2000	0.55
		SJ3000/4000	0.4
	With power-saving circuit*3 (Continuous duty type)	SJ1000/2000	0.23*2 [Starting 0.55, Holding 0.23]
		SJ3000/4000	0.15*2 [Starting 0.4, Holding 0.15]
Surge voltage suppressor		Diode	
Indicator light		LED	

*1 For the allowable voltage fluctuation for Z and T types (with power-saving circuit), please observe the following range because they have voltage drop due to internal circuit.

Z type 24 VDC: -7% to +10%
12 VDC: -4% to +10%
T type 24 VDC: -5% to +10%
12 VDC: -6% to +10%

*2 Refer to page 140 for details.

*3 SJ1000 series available as power-saving type only. Standard type (without power-saving circuit) cannot be selected.

*4 The 12 VDC specification is not available for the SJ4000.

Response Time

Type of actuation	Response time [ms] (at 0.5 MPa)			
	SJ1000	SJ2000	SJ3000	SJ4000
2-position single	16	16	16	26
2-position double	10	10	10	12
3-position	20	34	22	29
4-position dual 3-port valve	18	30	30	30

* Based on dynamic performance test, JIS B 8419:2010 (Coil temperature: 20°C, at rated voltage)

Weight

Model: SJ1000/2000 Series

Valve model	Type of actuation		Port size 4(A), 2(B)	Weight [g]
SJ1□60T-C2	2-position	Single	C2 ($\varnothing 2$ One- touch fitting)	34
		Double		38
	3-position	Closed center		41
		Exhaust center		
		Pressure center		
4-position	Dual 3-port valve	38		
SJ1□60T-C4	2-position	Single	C4 ($\varnothing 4$ One- touch fitting)	36
		Double		40
	3-position	Closed center		43
		Exhaust center		
		Pressure center		
4-position	Dual 3-port valve	40		
SJ2□60-C2	2-position	Single	C2 ($\varnothing 2$ One- touch fitting)	43
		Double		46
	3-position	Closed center		50
		Exhaust center		
		Pressure center		
4-position	Dual 3-port valve	46		
SJ2□60-C4	2-position	Single	C4 ($\varnothing 4$ One- touch fitting)	41
		Double		44
	3-position	Closed center		48
		Exhaust center		
		Pressure center		
4-position	Dual 3-port valve	44		
SJ2□60-M3	2-position	Single	M3 x 0.5	39
		Double		42
	3-position	Closed center		46
		Exhaust center		
		Pressure center		
4-position	Dual 3-port valve	42		

* Please contact SMC for the weight of elbow fittings.

Model: SJ3000 Series

Valve model	Type of actuation		Port size 4(A), 2(B)	Weight [g]
SJ3□60-C2	2-position	Single	C2 ($\varnothing 2$ One- touch fitting)	63
		Double		71
	3-position	Closed center		75
		Exhaust center		
		Pressure center		
4-position	Dual 3-port valve	71		
SJ3□60-C4	2-position	Single	C4 ($\varnothing 4$ One- touch fitting)	65
		Double		73
	3-position	Closed center		77
		Exhaust center		
		Pressure center		
4-position	Dual 3-port valve	73		
SJ3□60-C6	2-position	Single	C6 ($\varnothing 6$ One- touch fitting)	61
		Double		69
	3-position	Closed center		73
		Exhaust center		
		Pressure center		
4-position	Dual 3-port valve	69		
SJ3□60-M5	2-position	Single	M5 x 0.8	57
		Double		65
	3-position	Closed center		69
		Exhaust center		
		Pressure center		
4-position	Dual 3-port valve	65		
SJ3□60A-C4	2-position	Single	C4 ($\varnothing 4$ One- touch fitting)	53
		Double		64
SJ3□60A-C6	2-position	Single	C6 ($\varnothing 6$ One- touch fitting)	49
		Double		60
SJ3□60A-M5	2-position	Single	M5x0.8	46
		Double		57

* Please contact SMC for the weight of elbow fittings.

Model: SJ4000 Series

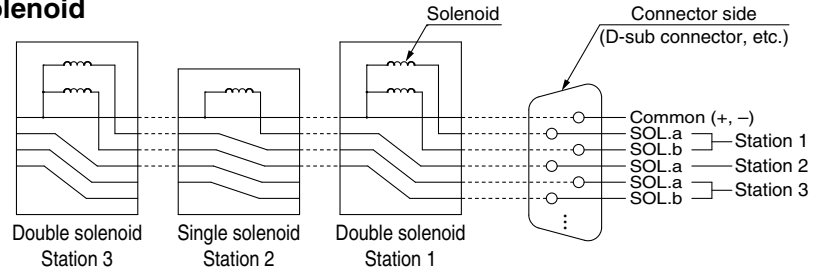
Valve model	Type of actuation		Port size 4(A), 2(B)	Weight [g]
SJ4□60-C6	2-position	Single	C6 ($\varnothing 6$ One- touch fitting)	111
		Double		121
	3-position	Closed center		131
		Exhaust center		
		Pressure center		
4-position	Dual 3-port valve	120		
SJ4□60-C8	2-position	Single	C8 ($\varnothing 8$ One- touch fitting)	108
		Double		118
	3-position	Closed center		128
		Exhaust center		
		Pressure center		
4-position	Dual 3-port valve	117		

SJ1000/2000/3000/4000 Series

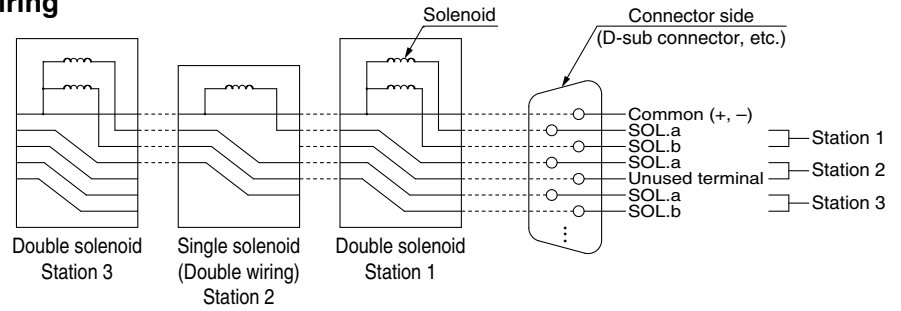
Connector Wiring Diagram

For both serial and parallel wiring, additional valves are sequentially assigned pins on the connector. This makes it completely unnecessary to disassemble the connector unit.

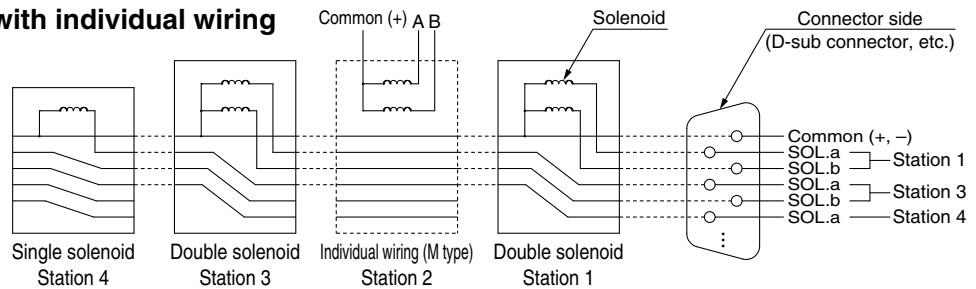
■ Single solenoid and double solenoid



■ Single solenoid with double wiring



■ Mounting a valve with individual wiring

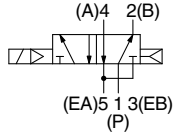


SJ1000/2000/3000/4000 Series Construction

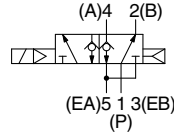
SJ1000/2000: Connector Type

Symbol

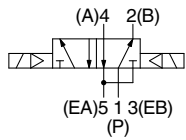
2-position single



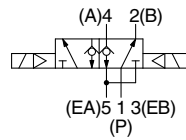
2-position single with back pressure check valve



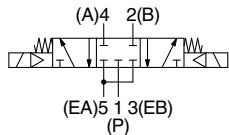
2-position double



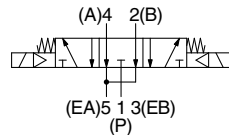
2-position double with back pressure check valve



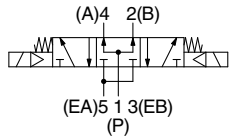
3-position closed center



3-position exhaust center



3-position pressure center



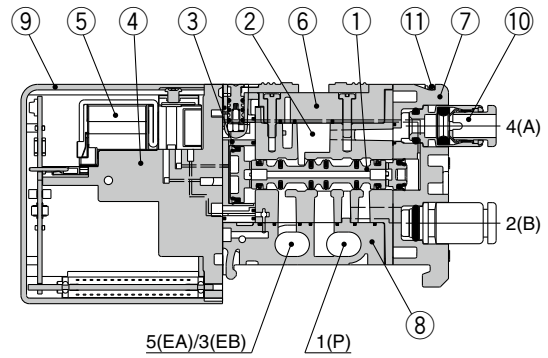
Component Parts

No.	Description	Material	Note
1	Spool valve assembly	Resin/HNBR (3-position solenoid valve: Aluminum/HNBR)	—
2	Body	Zinc die-cast	—
3	Adapter plate	Resin	White
4	Pilot adapter	Resin	White
5	Pilot valve assembly	—	—
6	Body cover	Resin	White
7	Port block	Resin	White
8	Bottom cover	Resin	White
9	Light cover	Resin	Light blue

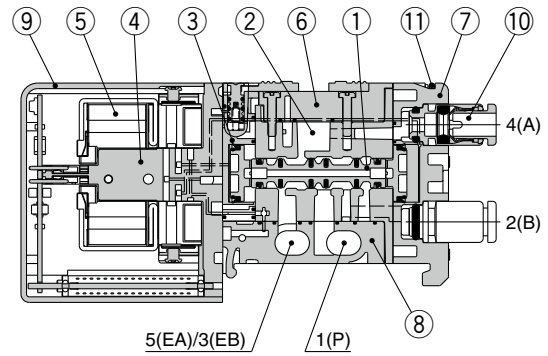
Replacement Parts

No.	Description	Part no.
10	One-touch fitting	Refer to the One-touch fitting part no. on page 142.
11	Clip	SJ1000 SJ1000-CL-1 (10 pcs.)
		SJ2000 SJ2000-CL-1 (10 pcs.)

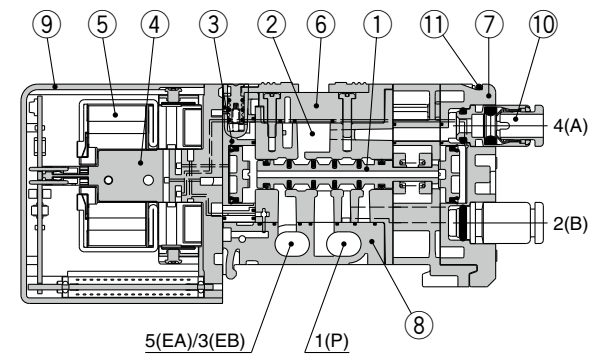
2-position single



2-position double

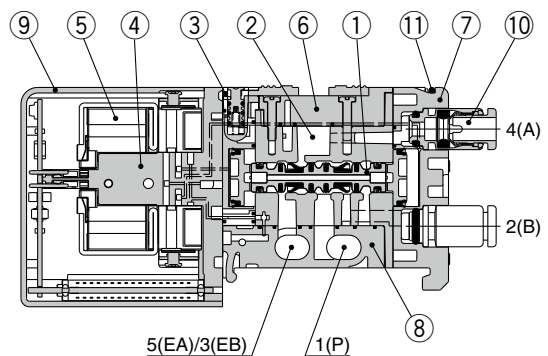


3-position closed center/exhaust center/pressure center



SJ1260KT/SJ2260K

[With back pressure check valve]



SJ
1000
2000
3000
4000

Common
Specifications

Construction

Plug-in

D-sub
Flat Ribbon

EX510 EX180

Non
Plug-in

Individual
Wiring

Manifold
Options

Made to
Order

SJ3A6

Common Spec.
Construction

Plug-in

D-sub
Flat Ribbon
Serial

Non
Plug-in

Individual
Wiring

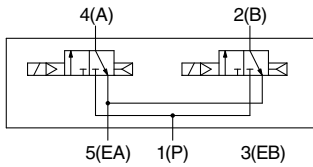
Specific Product
Precautions

SJ1000/2000/3000/4000 Series

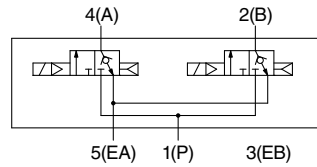
SJ1000/2000: Connector Type

Symbol

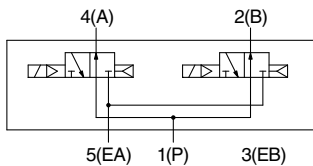
4-position dual 3-port valve
SJ1A60T/SJ2A60
[N.C. valve x 2]



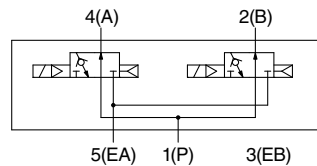
SJ1A60KT/SJ2A60K
with back pressure check valve



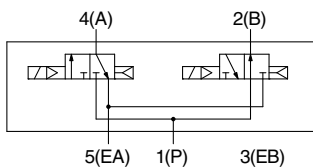
SJ1B60T/SJ2B60
[N.O. valve x 2]



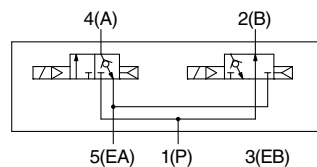
SJ1B60KT/SJ2B60K
with back pressure check valve



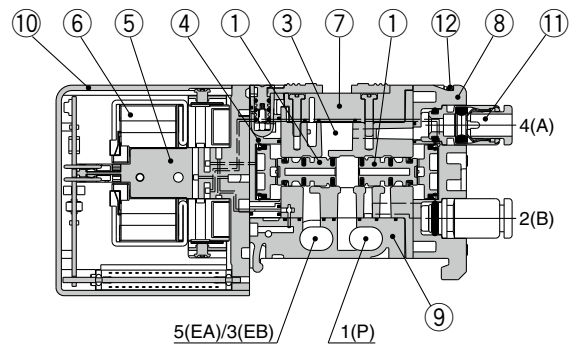
SJ1C60T/SJ2C60
[N.C., N.O. valve x 1 (each)]



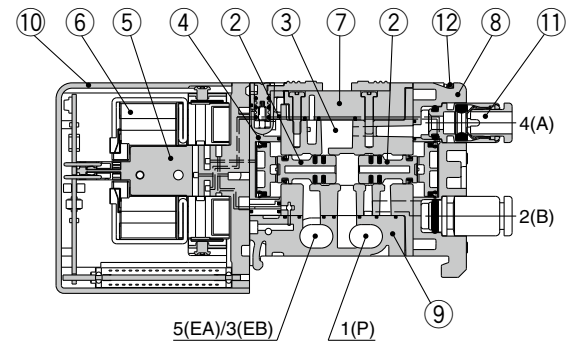
SJ1C60KT/SJ2C60K
with back pressure check valve



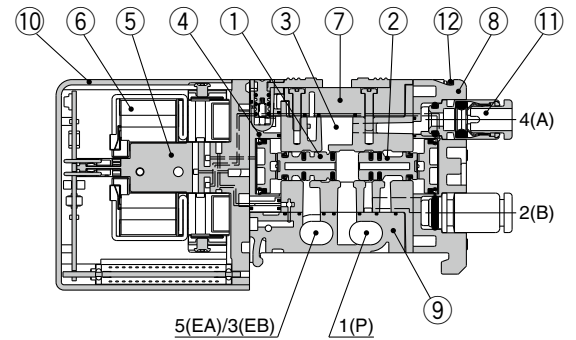
SJ1A60T/SJ2A60 [N.C. valve x 2]



SJ1B60T/SJ2B60 [N.O. valve x 2]



SJ1C60T/SJ2C60 [N.C., N.O. valve x 1 (each)]



Component Parts

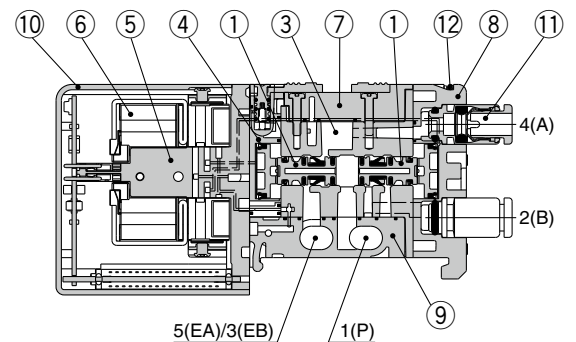
No.	Description	Material	Note
1	Spool valve assembly	Resin/HNBR	N.C. (Normally closed)
2	Spool valve assembly	Resin/HNBR	N.O. (Normally open)
3	Body	Zinc die-cast	—
4	Adapter plate	Resin	White
5	Pilot adapter	Resin	White
6	Pilot valve assembly	—	—
7	Body cover	Resin	White
8	Port block	Resin	White
9	Bottom cover	Resin	White
10	Light cover	Resin	Light blue

Replacement Parts

No.	Description	Part no.
11	One-touch fitting	Refer to the One-touch fitting part no. on page 142.
12	Clip	SJ1000 SJ1000-CL-1 (10 pcs.)
		SJ2000 SJ2000-CL-1 (10 pcs.)

SJ1A60KT/SJ2A60K

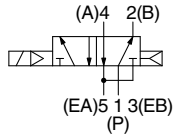
[With back pressure check valve]



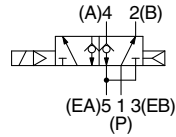
SJ3000: Connector Type

Symbol

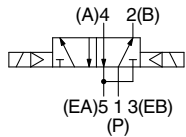
2-position single



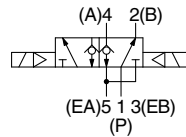
2-position single with back pressure check valve



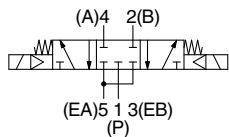
2-position double



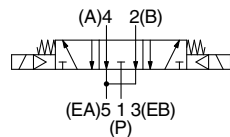
2-position double with back pressure check valve



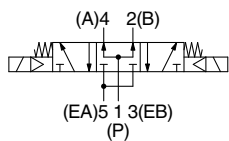
3-position closed center



3-position exhaust center



3-position pressure center



Component Parts

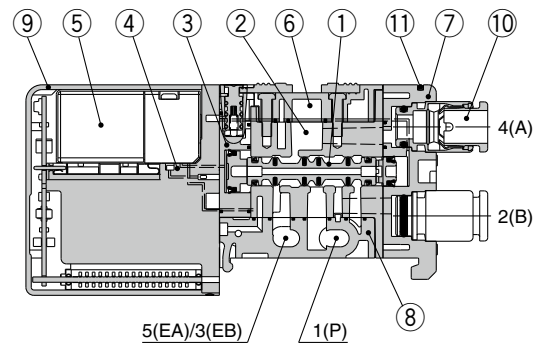
No.	Description	Material	Note
1	Spool valve assembly	Resin/HNBR (3-position solenoid valve: Aluminum/HNBR)	—
2	Body	Zinc die-cast*1	—
3	Adapter plate	Resin	White
4	Pilot adapter	Resin	White
5	Pilot valve assembly	—	—
6	Body cover	Resin	White
7	Port block	Resin	White
8	Bottom cover	Resin	White
9	Light cover	Resin	Light blue

*1 Aluminum die-cast is used for the SJ3000A.

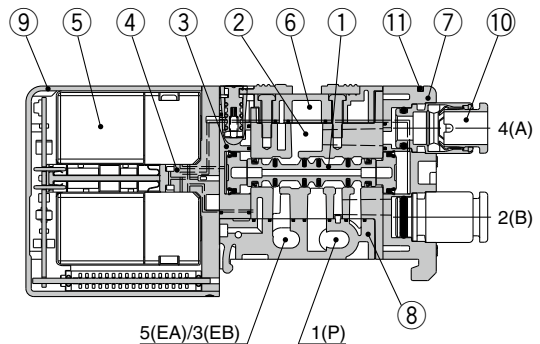
Replacement Parts

No.	Description	Part no.
10	One-touch fitting	Refer to the One-touch fitting part no. on page 142.
11	Clip	SJ3000-CL-1 (10 pcs.)

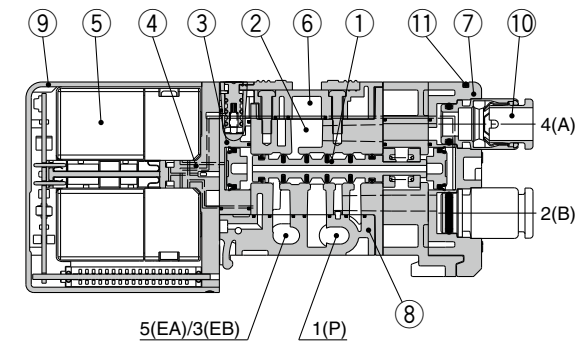
2-position single [SJ31□□(A)]



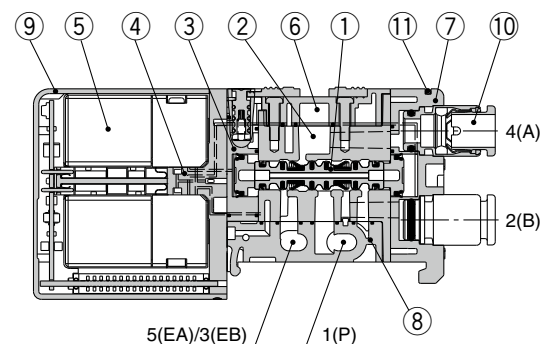
2-position double [SJ32□□(A)]



3-position closed center/exhaust center/pressure center



SJ3260K [With back pressure check valve]



SJ
1000
2000
3000
4000

Common
Specifications

Construction

Plug-in

D-sub
Flat Ribbon

EX510 EX180

EX510 EX180

Non
Plug-in

Individual
Wiring

Manifold
Options

Made to
Order

SJ3A6

Common Spec.
Construction

Plug-in

D-sub
Flat Ribbon
Serial

Non
Plug-in

Individual
Wiring

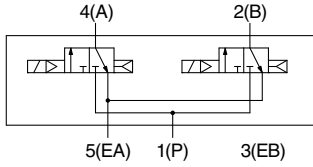
Specific Product
Precautions

SJ1000/2000/3000/4000 Series

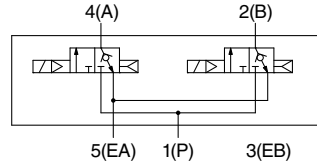
SJ3000: Connector Type

Symbol

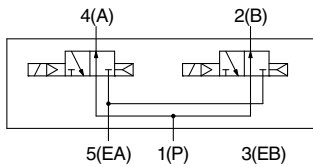
4-position dual 3-port valve
SJ3A60 [N.C. valve x 2]



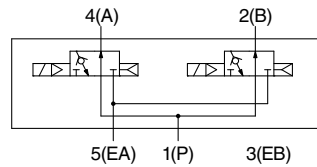
SJ3A60K with back pressure check valve



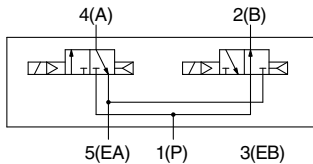
SJ3B60 [N.O. valve x 2]



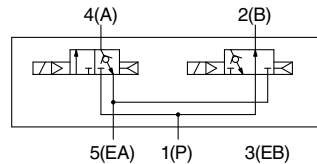
SJ3B60K with back pressure check valve



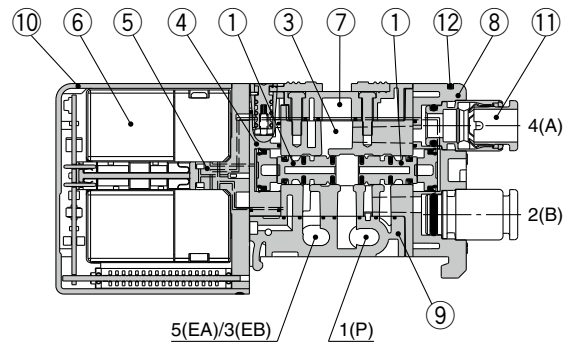
SJ3C60 [N.C., N.O. valve x 1 (each)]



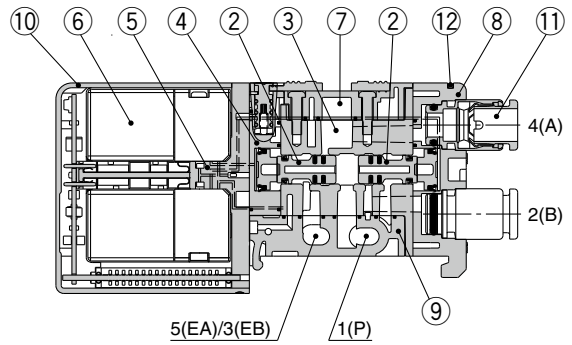
SJ3C60K with back pressure check valve



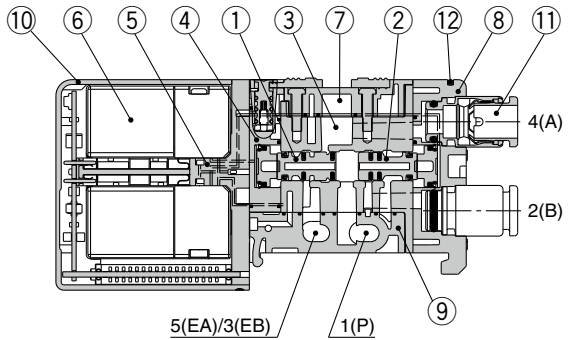
SJ3A60 [N.C. valve x 2]



SJ3B60 [N.O. valve x 2]



SJ3C60 [N.C. valve, N.O. valve x 1 (each)]



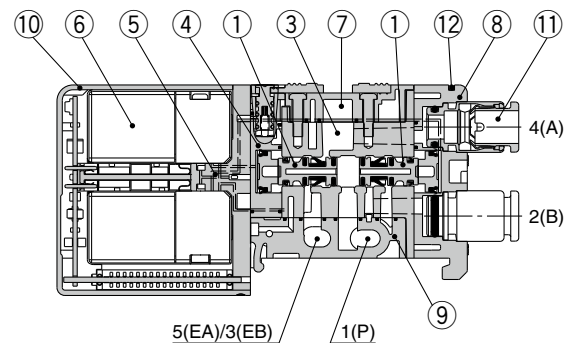
Component Parts

No.	Description	Material	Note
1	Spool valve assembly	Resin/HNBR	N.C. (Normally closed)
2	Spool valve assembly	Resin/HNBR	N.O. (Normally open)
3	Body	Zinc die-cast	—
4	Adapter plate	Resin	White
5	Pilot adapter	Resin	White
6	Pilot valve assembly	—	—
7	Body cover	Resin	White
8	Port block	Resin	White
9	Bottom cover	Resin	White
10	Light cover	Resin	Light blue

Replacement Parts

No.	Description	Part no.
11	One-touch fitting	Refer to the One-touch fitting part no. on page 142.
12	Clip	SJ3000-CL-1 (10 pcs.)

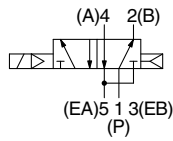
SJ3A60K [With back pressure check valve]



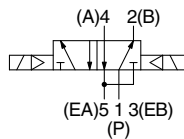
SJ4000: Connector Type

Symbol

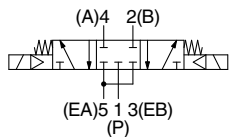
2-position single



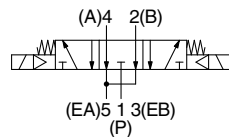
2-position double



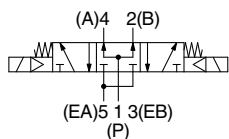
3-position closed center



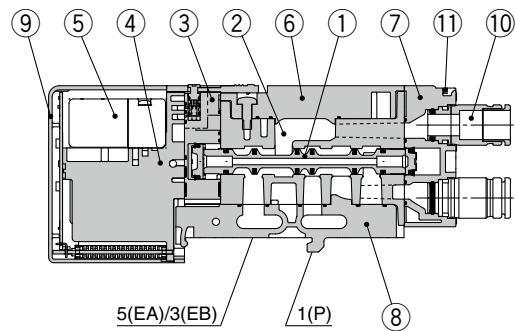
3-position exhaust center



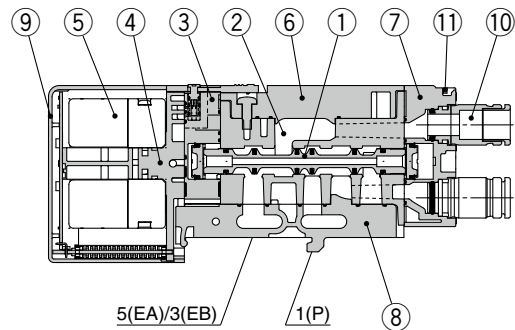
3-position pressure center



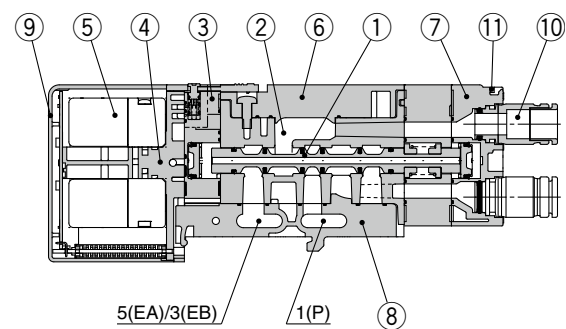
2-position single



2-position double



3-position closed center/exhaust center/pressure center



Component Parts

No.	Description	Material	Note
1	Spool valve assembly	Resin/HNBR (3-position solenoid valve: Aluminum/HNBR)	—
2	Body	Aluminum die-cast	—
3	Adapter plate	Resin	White
4	Pilot adapter	Resin	White
5	Pilot valve assembly	—	—
6	Body cover	Resin	White
7	Port block	Resin	White
8	Bottom cover	Resin	White
9	Light cover	Resin	Light blue

Replacement Parts

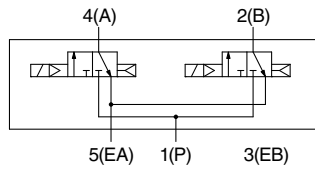
No.	Description	Part no.
10	One-touch fitting	Refer to the One-touch fitting part no. on page 142.
11	Clip	JSY31M-19P-1A (10 pcs.)

SJ1000/2000/3000/4000 Series

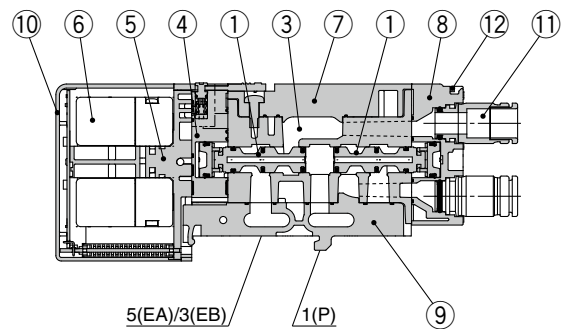
SJ4000: Connector Type

Symbol

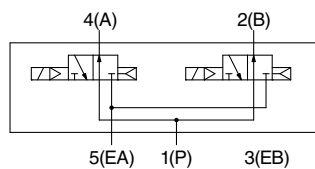
4-position dual 3-port valve
SJ4A60 [N.C. valve x 2]



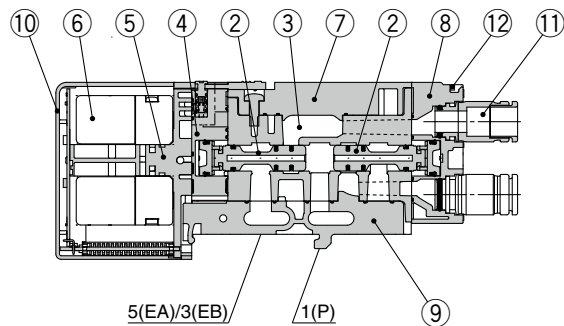
SJ4A60 [N.C. valve x 2]



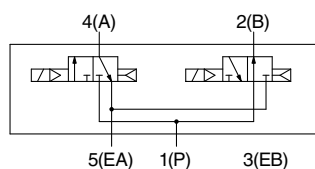
SJ4B60 [N.O. valve x 2]



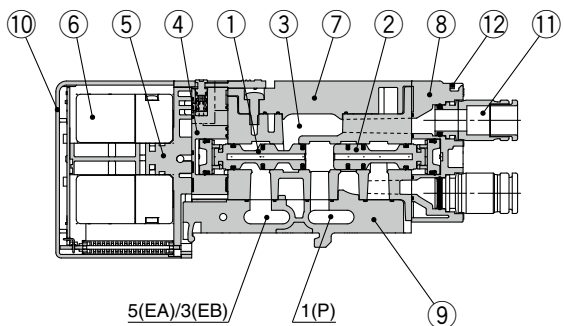
SJ4B60 [N.O. valve x 2]



SJ4C60 [N.C., N.O. valve x 1 (each)]



SJ4C60 [N.C. valve, N.O. valve x 1 (each)]



Component Parts

No.	Description	Material	Note
1	Spool valve assembly	Resin/HNBR	N.C. (Normally closed)
2	Spool valve assembly	Resin/HNBR	N.O. (Normally open)
3	Body	Aluminum die-cast	—
4	Adapter plate	Resin	White
5	Pilot adapter	Resin	White
6	Pilot valve assembly	—	—
7	Body cover	Resin	White
8	Port block	Resin	White
9	Bottom cover	Resin	White
10	Light cover	Resin	Light blue

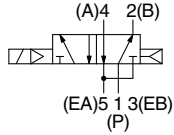
Replacement Parts

No.	Description	Part no.
11	One-touch fitting	Refer to the One-touch fitting part no. on page 142.
12	Clip	JSY31M-19P-1A (10 pcs.)

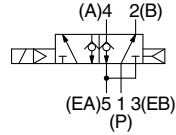
SJ2000: Cable Type

Symbol

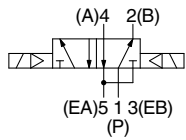
2-position single



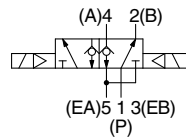
2-position single with back pressure check valve



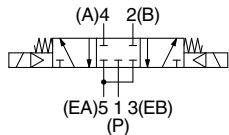
2-position double



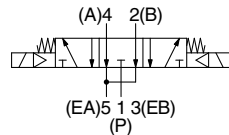
2-position double with back pressure check valve



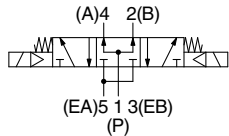
3-position closed center



3-position exhaust center



3-position pressure center



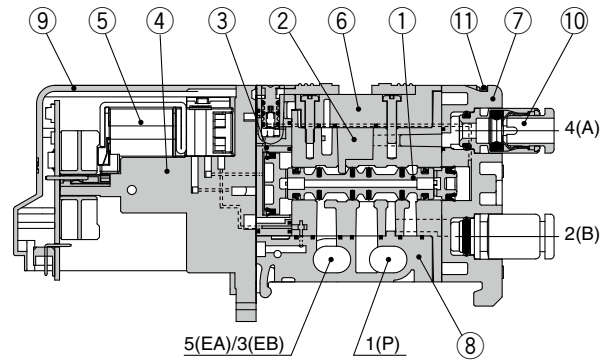
Component Parts

No.	Description	Material	Note
1	Spool valve assembly	Resin/HNBR (3-position solenoid valve: Aluminum/HNBR)	—
2	Body	Zinc die-cast	—
3	Adapter plate	Resin	White
4	Pilot adapter	Resin	White
5	Pilot valve assembly	—	—
6	Body cover	Resin	White
7	Port block	Resin	White
8	Bottom cover assembly	Resin	White
9	Light cover	Resin	Light blue

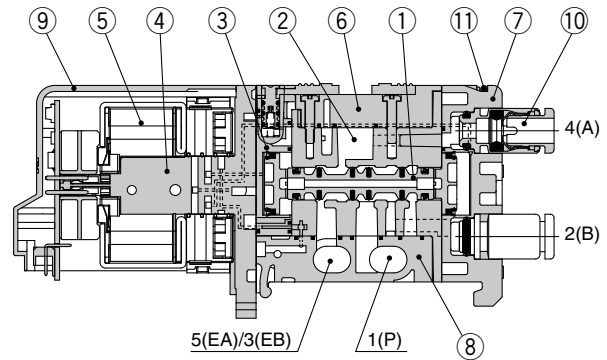
Replacement Parts

No.	Description	Part no.
10	One-touch fitting	Refer to the One-touch fitting part no. on page 142.
11	Clip	SJ2000-CL-1 (10 pcs.)

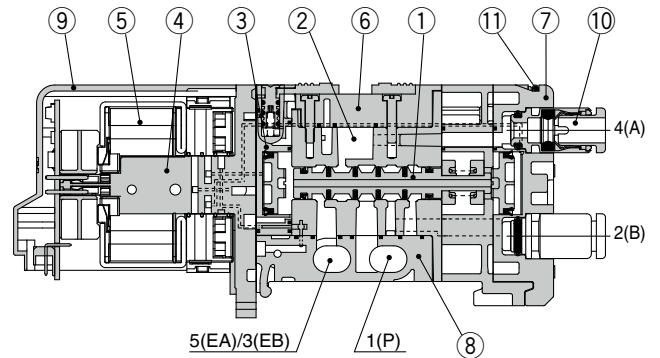
2-position single



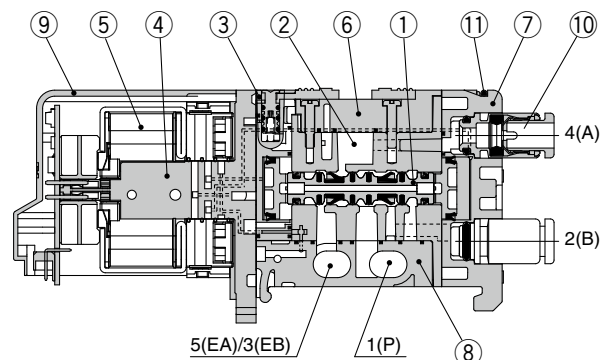
2-position double



3-position closed center/exhaust center/pressure center



SJ2260K [With back pressure check valve]



SJ
1000
2000
3000
4000

Common
Specifications

Construction

Plug-in

D-sub
Flat Ribbon

EX510 EX180

EX510 EX180

Non
Plug-in

Individual
Wiring

Manifold
Options

Made to
Order

SJ3A6

Common Spec.
Construction

Plug-in

D-sub
Flat Ribbon
Serial

Non
Plug-in

Individual
Wiring

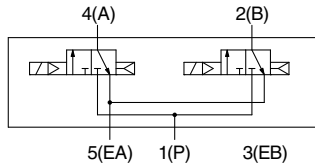
Specific Product
Precautions

SJ2000/3000 Series

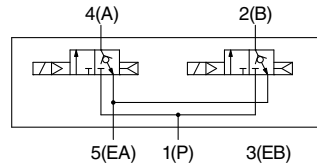
SJ2000: Cable Type

Symbol

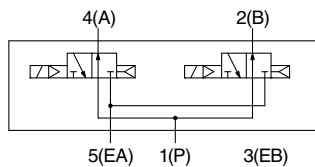
4-position dual 3-port valve
SJ2A60 [N.C. valve x 2]



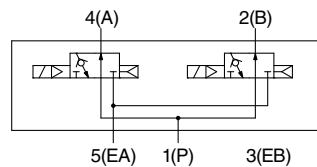
SJ2A60K with back pressure
check valve



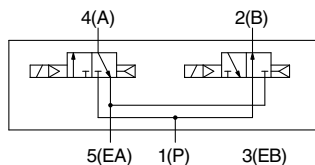
SJ2B60 [N.O. valve x 2]



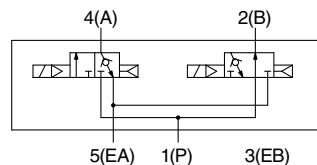
SJ2B60K with back pressure
check valve



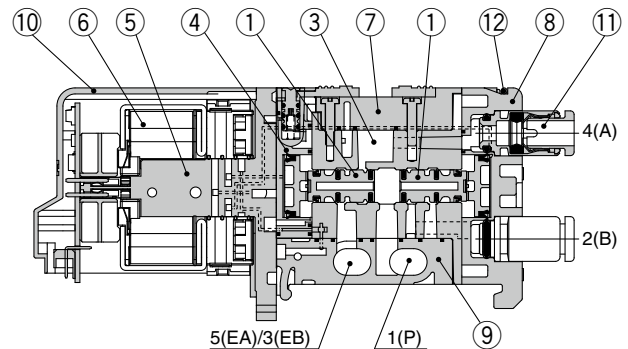
SJ2C60 [N.C., N.O. valve x 1
(each)]



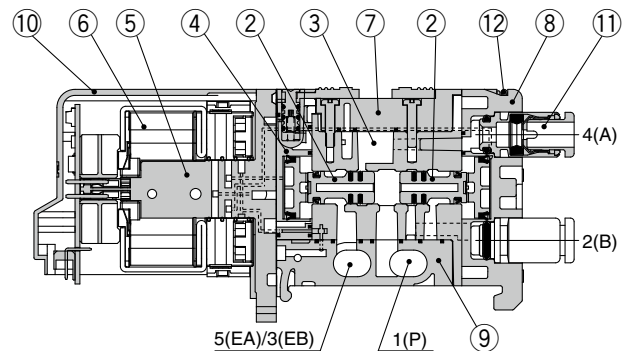
SJ2C60K with back pressure
check valve



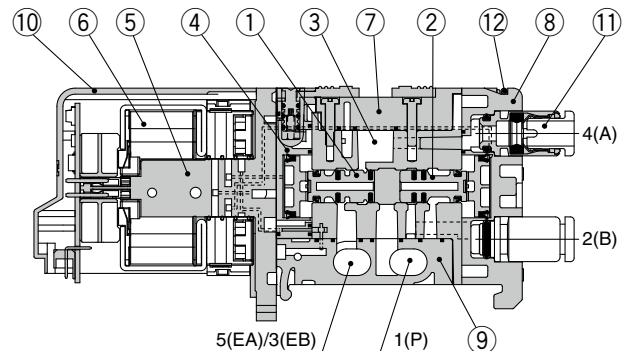
SJ2A60 [N.C. valve x 2]



SJ2B60 [N.O. valve x 2]



SJ2C60 [N.C. valve, N.O. valve x 1 (each)]



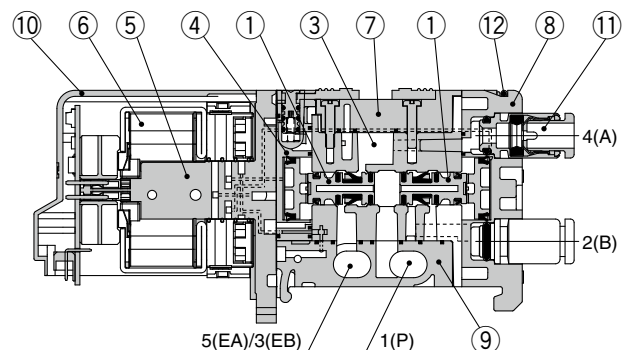
Component Parts

No.	Description	Material	Note
1	Spool valve assembly	Resin/HNBR	N.C. (Normally closed)
2	Spool valve assembly	Resin/HNBR	N.O. (Normally open)
3	Body	Zinc die-cast	—
4	Adapter plate	Resin	White
5	Pilot adapter	Resin	White
6	Pilot valve assembly	—	—
7	Body cover	Resin	White
8	Port block	Resin	White
9	Bottom cover assembly	Resin	White
10	Light cover	Resin	Light blue

Replacement Parts

No.	Description	Part no.
11	One-touch fitting	Refer to the One-touch fitting part no. on page 142.
12	Clip	SJ2000-CL-1 (10 pcs.)

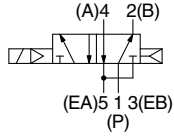
SJ2A60K [With back pressure check valve]



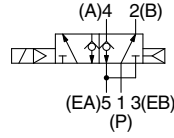
SJ3000: Cable Type

Symbol

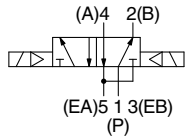
2-position single



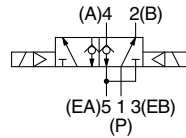
2-position single with back pressure check valve



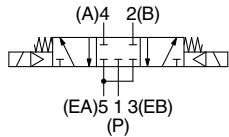
2-position double



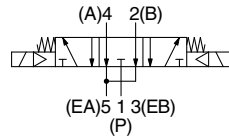
2-position double with back pressure check valve



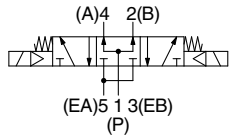
3-position closed center



3-position exhaust center



3-position pressure center



Component Parts

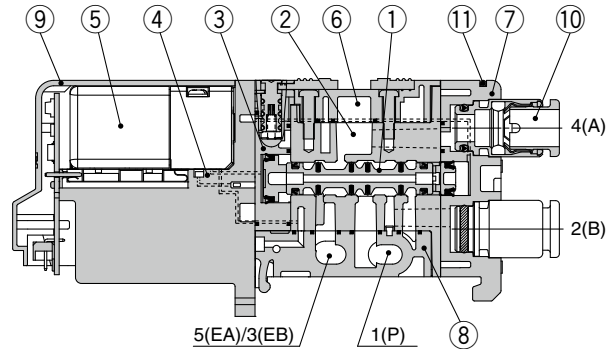
No.	Description	Material	Note
1	Spool valve assembly	Resin/HNBR (3-position solenoid valve: Aluminum/HNBR)	—
2	Body	Zinc die-cast*1	—
3	Adapter plate	Resin	White
4	Pilot adapter	Resin	White
5	Pilot valve assembly	—	—
6	Body cover	Resin	White
7	Port block	Resin	White
8	Bottom cover assembly	Resin	White
9	Light cover	Resin	Light blue

*1 Aluminum die-cast is used for the SJ3000A.

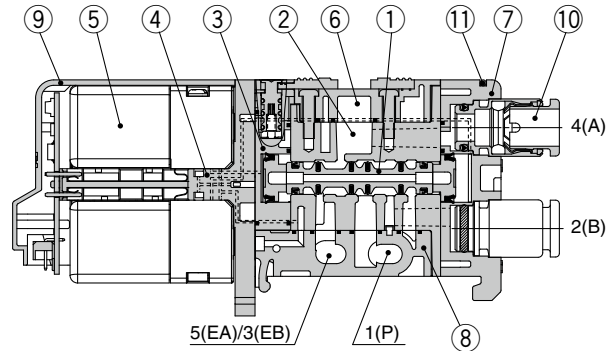
Replacement Parts

No.	Description	Part no.
10	One-touch fitting	Refer to the One-touch fitting part no. on page 142.
11	Clip	SJ3000-CL-1 (10 pcs.)

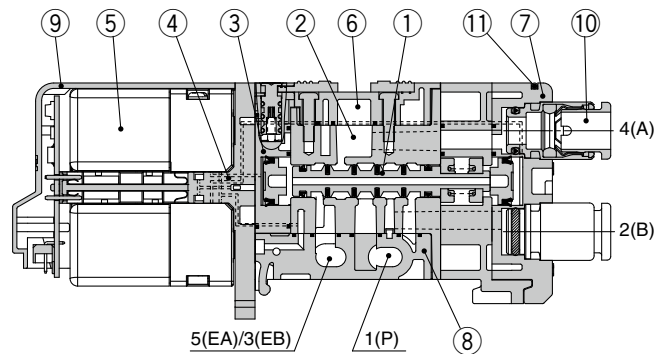
2-position single



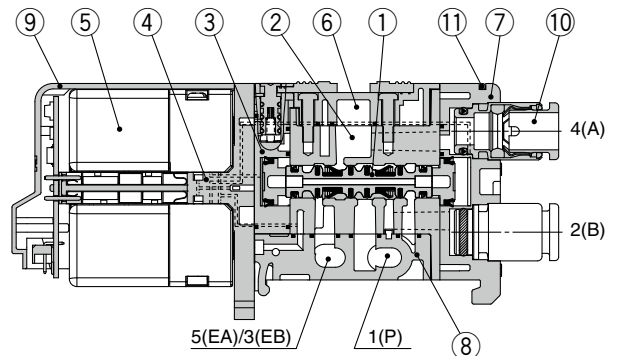
2-position double



3-position closed center/exhaust center/pressure center



SJ3260K [With back pressure check valve]

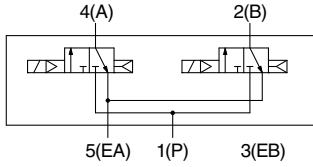


SJ2000/3000 Series

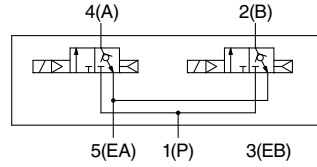
SJ3000: Cable Type

Symbol

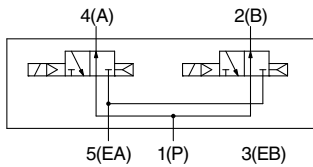
4-position dual 3-port valve
SJ3A60 [N.C. valve x 2]



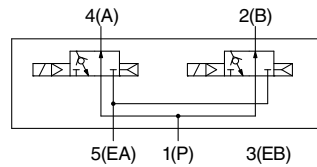
SJ3A60K with back pressure check valve



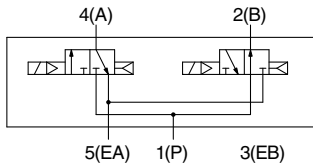
SJ3B60 [N.O. valve x 2]



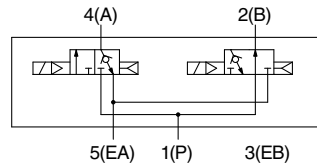
SJ3B60K with back pressure check valve



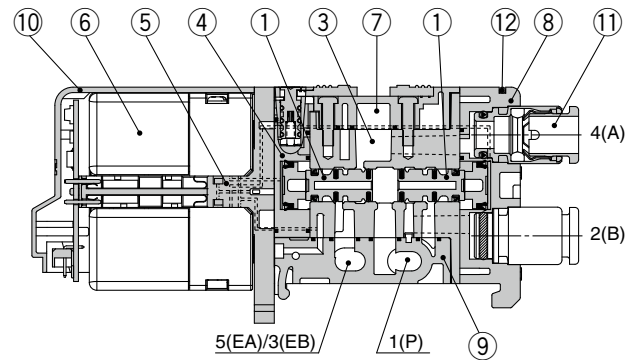
SJ3C60 [N.C., N.O. valve x 1 (each)]



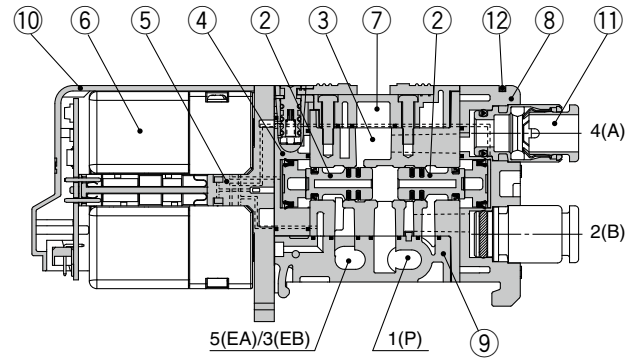
SJ3C60K with back pressure check valve



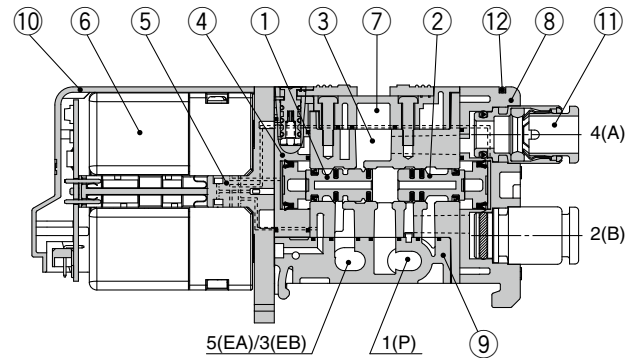
SJ3A60 [N.C. valve x 2]



SJ3B60 [N.O. valve x 2]



SJ3C60 [N.C. valve, N.O. valve x 1 (each)]



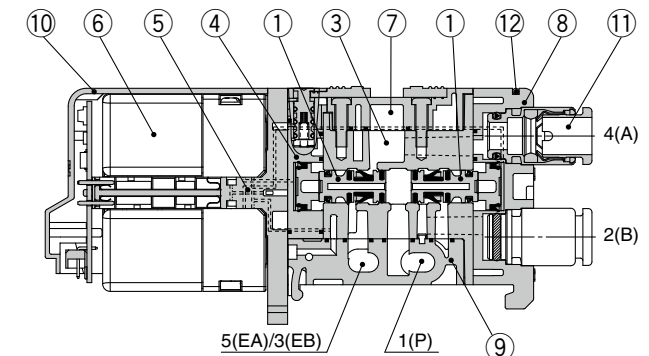
Component Parts

No.	Description	Material	Note
1	Spool valve assembly	Resin/HNBR	N.C. (Normally closed)
2	Spool valve assembly	Resin/HNBR	N.O. (Normally open)
3	Body	Zinc die-cast	—
4	Adapter plate	Resin	White
5	Pilot adapter	Resin	White
6	Pilot valve assembly	—	—
7	Body cover	Resin	White
8	Port block	Resin	White
9	Bottom cover assembly	Resin	White
10	Light cover	Resin	Light blue

Replacement Parts

No.	Description	Part no.
11	One-touch fitting	Refer to the One-touch fitting part no. on page 142.
12	Clip	SJ3000-CL-1 (10 pcs.)

SJ3A60K [With back pressure check valve]

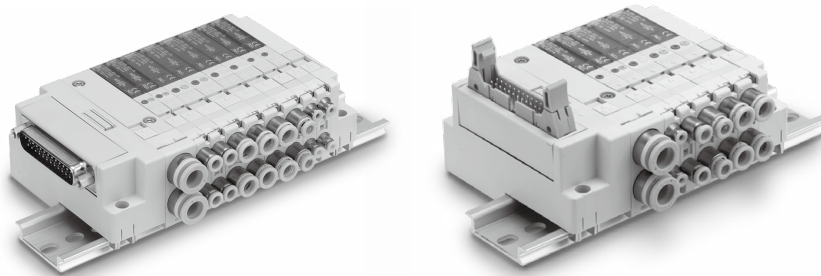


Plug-in Connector Type Manifold Cable Type Manifold

SJ1000/2000/3000/4000 Series

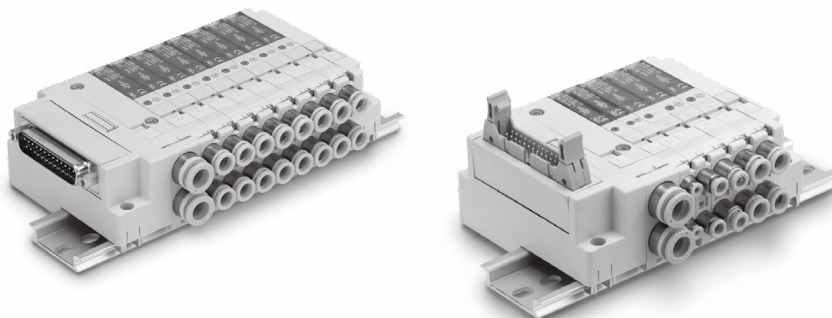
p. 29

**Connector Type Manifold
D-sub Connector/Flat Ribbon Cable**



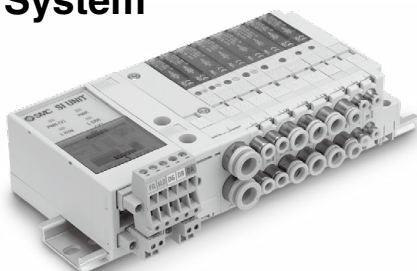
p. 33

**Cable Type Manifold
D-sub Connector/Flat Ribbon Cable**



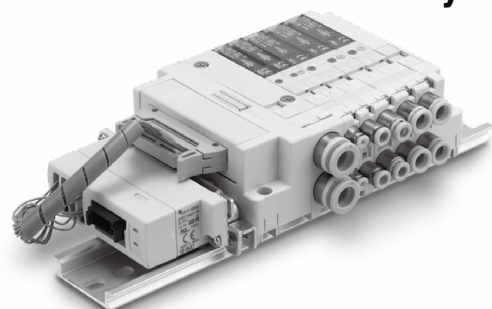
p. 61

**Connector Type Manifold
EX180 Integrated Type (For
Output) Serial Transmission
System**



p. 77

**Connector Type Manifold
EX510 Gateway Type
Serial Transmission System**



SJ
1000
2000
3000
4000

Common
Specifications

Construction

Plug-in

D-sub
Flat Ribbon

EX180 EX510

Non
Plug-in

Individual
Wiring

Manifold
Options

Made to
Order

SJ3A6

Common Spec.
Construction

Plug-in

D-sub
Flat Ribbon
Serial

Non
Plug-in

Individual
Wiring

Specific Product
Precautions

Plug-in Connector Type



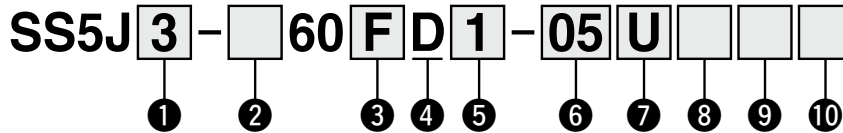
D-sub Connector/Flat Ribbon Cable

SJ1000/2000/3000 Series

An order cannot be placed with only the manifold part no. Be sure to order solenoid valves for mounting at the same time while referring to the ordering example.

How to Order

● Connector type manifold



1 Series

1	SJ1000
2	SJ2000
3	SJ3000 (SJ1000/2000/3000 mixed*1)

*1 Select "3" for the combination of SJ1000 and SJ2000 valves.

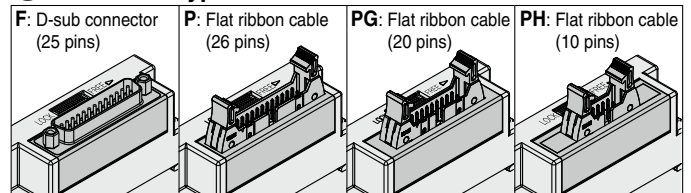
2 Mixed mounting type

Nil	Standard*1
M	Mixed mounting*2

*1 For SJ1000, 2000, and 3000 series valves, select "Nil" when only using a single series.

*2 Select "M" when SJ1000, SJ2000, or SJ3000 series valves will be mounted on the same manifold base together.

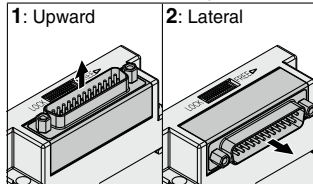
3 Connector type



4 Connector mounting position

Symbol	Mounting position
D	D side

5 Connector entry direction



6 Valve stations

F: D-sub connector			P: Flat ribbon cable (26 pins)		
Symbol	Stations	Note	Symbol	Stations	Note
01	1 station	Up to 24 solenoids can be selected.	01	1 station	Up to 24 solenoids can be selected.
⋮	⋮		⋮	⋮	
24	24 stations		24	24 stations	
PG: Flat ribbon cable (20 pins)			PH: Flat ribbon cable (10 pins)		
Symbol	Stations	Note	Symbol	Stations	Note
01	1 station	Up to 18 solenoids can be selected.	01	1 station	Up to 8 solenoids can be selected.
⋮	⋮		⋮	⋮	
18	18 stations		08	8 stations	

* This number also includes the blanking block. Since single and double wiring are available for the blanking block, select a model compatible with the valve wiring specification to be used. (Refer to page 105.)

7 SUP/EXH block mounting position

U	U side
D	D side
B	Both sides
M*1	Special specifications

*1 Specify the required specifications (including port sizes other than ø8) on the manifold specification sheet.

8 Pilot type

Nil	Internal pilot
S	Internal pilot, Built-in silencer
R	External pilot
RS	External pilot, Built-in silencer

* There is no need to enter anything when the SUP/EXH block mounting position "M" is selected.

* The 3/5(E) port is plugged for the built-in silencer type.

9 SUP/EXH block fitting specification

Nil	L	B
Straight fitting With external pilot spec. X, PE port: Elbow fitting	Elbow fitting (Upward) With external pilot spec. X, PE port: Straight fitting	Elbow fitting (Downward) With external pilot spec. X, PE port: Elbow fitting

* There is no need to enter anything when the SUP/EXH block mounting position "M" is selected.

10 DIN rail length specified

Nil	Standard length
2	2 stations Specify a length longer than that of the standard rail.
⋮	⋮
24	24 stations

* Specify the number of valve stations without exceeding the max. number of stations.

How to Order Manifold Assembly

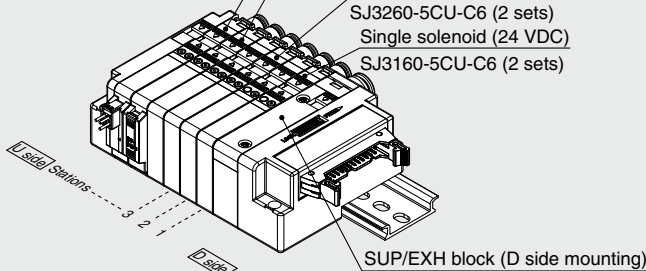
Ordering example (SS5J3-60PD2-□)

Double solenoid, individual wiring/lead wire length 300 mm (24 VDC)
SJ3260-5MZ-C6 (1 set)

Double solenoid, with switch (24 VDC)
SJ3260-5CZJ-C6 (1 set)

Double solenoid (24 VDC)
SJ3260-5CU-C6 (2 sets)

Single solenoid (24 VDC)
SJ3160-5CU-C6 (2 sets)



SS5J3-60PD2-06D 1 set (Manifold part no.)
 * SJ3160-5CU-C6 2 sets (Single solenoid part no.)
 * SJ3260-5CU-C6 2 sets (Double solenoid part no.)
 * SJ3260-5CZJ-C6 1 set (Double solenoid, with switch part no.)
 * SJ3260-5MZ-C6 1 set (Double solenoid, individual wiring/lead wire length 300 mm part no.)

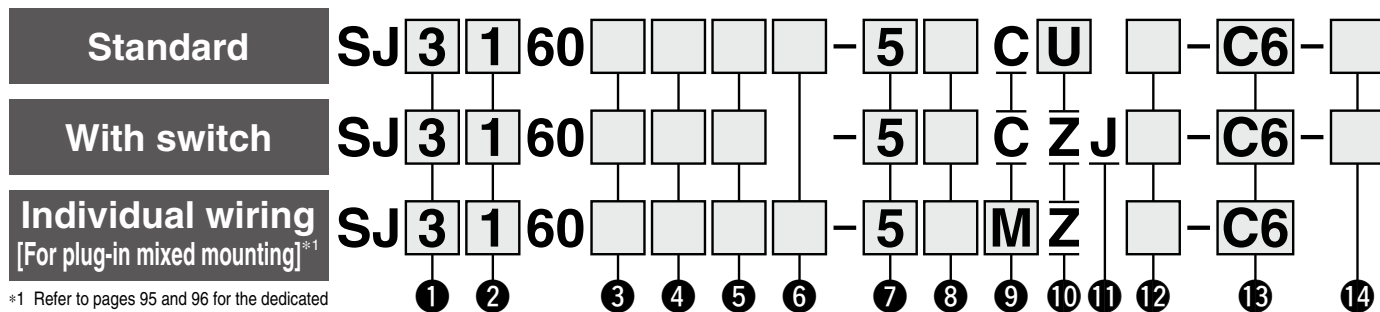
→ The asterisk denotes the symbol for the assembly. Prefix it to the part numbers of the solenoid valve, etc.

* For the valve arrangement, the valve closest to the D side is considered the 1st station.

* Under the manifold part number, state the valves to be mounted in order starting with the 1st station as shown in the figure. If the arrangement becomes too complicated, specify the details on a manifold specification sheet.

* When ordering a manifold, specify the part nos. of the valves to be mounted on it. (An order cannot be placed with only the manifold part no.)

How to Order Solenoid Valves



*1 Refer to pages 95 and 96 for the dedicated non plug-in individual wiring.

1 Series

1	SJ1000
2	SJ2000
3	SJ3000

2 Type of actuation

1	2-position single solenoid
2	2-position double solenoid
3	3-position closed center
4	3-position exhaust center
5	3-position pressure center

* Refer to pages 281 to 284 for the symbol.
* Large flow rate "A" is available only for actuation types "1" and "2".

A	Dual 3-port valve: N.C./N.C.
B	Dual 3-port valve: N.O./N.O.
C	Dual 3-port valve: N.C./N.O.

6 Coil type

Symbol	Coil type	SJ1000	SJ2000	SJ3000(A)
Nil	Standard	—	●	●
T	With power-saving circuit (Continuous duty type)	●	●	●

* Be sure to select the power-saving circuit type if the valve is to be continuously energized for long periods of time.
* For the SJ1000 series, only the power-saving circuit type is available.

3

Nil	Standard flow type
A*1	Large flow type

*1 SJ3000 series only

4 Pilot type

Nil	Internal pilot
R	External pilot

* External pilot specification is not applicable for 4-position dual 3-port valves.

5 Back pressure check valve

Nil	None
K	Built-in

* 3-position and large flow rate "A" solenoid valves are not provided with a back pressure check valve.

7 Rated voltage

5	24 VDC
6	12 VDC

8 Common specification

Nil	Positive common
N	Negative common

* For the non-polar type, there is no need to select a symbol.

9 Connector entry

Symbol	C: Dedicated for centralized wiring	M: Individual wiring, With lead wire Length 300 mm	MN: Individual wiring, Without lead wire (With connector, socket)	MO: Individual wiring, Without connector
SJ1000	●	—	—	—
SJ2000	●	●	●	●
SJ3000	●	●	●	●

* Connector entries with the symbol "M□" cannot use the switch signal from the common wiring on the manifold. For details, refer to the "Connector Wiring Diagram" on page 17.
* When ordering a connector separately, refer to pages 144 and 145.

12 Manual override

Symbol/Specification	SJ1000	SJ2000	SJ3000(A)
Nil: Non-locking push type 	●	●	●
D: Push-turn locking slotted type 	●	●	●
F: Slide locking type 	—	●	●

13 A, B port size

Metric/One-touch fitting		Symbol	A, B port	SJ1000	SJ2000	SJ3000	SJ3000A
Straight	C2		ø2	●	●	●	—
	C4		ø4	●	●	●	
	C6		ø6	—	—	●	●
Elbow	L2		Upward entry	ø2	—	●	—
	L4			ø4	—	●	●
	L6			ø6	—	—	●
	Downward entry		B2	ø2	—	●	—
			B4	ø4	—	●	●
			B6	ø6	—	—	●

Thread piping

Symbol	A, B port	SJ1000	SJ2000	SJ3000	SJ3000A
M3	M3 x 0.5	—	●	—	—
M5	M5 x 0.8	—	—	●	●

10 Light/surge voltage suppressor

Symbol	Specification	SJ1000	SJ2000	SJ3000(A)
U	With light/surge voltage suppressor (Non-polar type)	—	●	●
Z	With light/surge voltage suppressor (Polar type)	●	●	●

* When the types with power-saving circuit, with switches, and individual wiring are used, the non-polar type cannot be selected.

11 With switch

	SJ1000	SJ2000	SJ3000(A)
	—	●	●

Inch/One-touch fitting

Inch/One-touch fitting		Symbol	A, B port	SJ1000	SJ2000	SJ3000	SJ3000A	
Straight	N1		ø1/8"	—	●	●	—	
	N3		ø5/32"	—	●	●		
	N7		ø1/4"	—	—	●	●	
Elbow	LN1		Upward entry	ø1/8"	—	●	—	
	LN3			ø5/32"	—	●	●	
	LN7			ø1/4"	—	—	●	●
	Downward entry		BN1	ø1/8"	—	●	—	
			BN3	ø5/32"	—	●	●	
			BN7	ø1/4"	—	—	●	●

14 Single solenoid wiring specification

Nil	Single wiring
D	Double wiring

* There is no need to enter anything for 2-position double, 3-position, and 4-position solenoid valves. Select this when the unused numbers to wiring are set. Refer to page 17 for details.

⚠ Protective class class III (Mark: ⚡)

Plug-in Connector Type

D-sub Connector/Flat Ribbon Cable

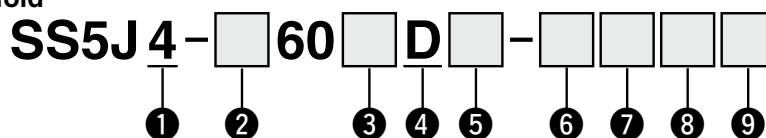
SJ4000 Series



An order cannot be placed with only the manifold part no. Be sure to order solenoid valves for mounting at the same time while referring to the ordering example.

How to Order

● Connector type manifold



1 Series

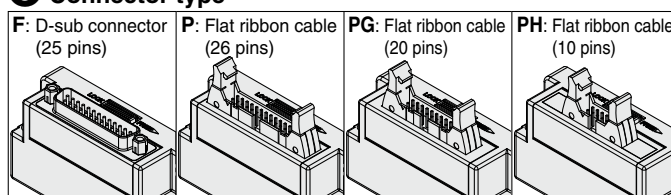
4	SJ4000
---	--------

2 Mixed mounting type

Nil	Standard (Dedicated for the SJ4000)
M	Mixed mounting

- * Select "Nil" when only using a single series.
- * Select "M" when SJ1000, SJ2000, or SJ3000 series valves will be mounted on the same manifold base together.

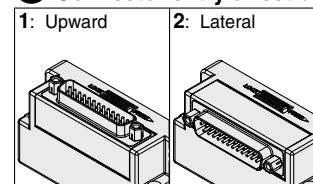
3 Connector type



4 Connector mounting position

D	D side
---	--------

5 Connector entry direction



6 Valve stations

F: D-sub connector

Symbol	Stations	Note
01	1 station	Up to 24 solenoids can be selected.
⋮	⋮	
24	24 stations	

P: Flat ribbon cable (26 pins)

Symbol	Stations	Note
01	1 station	Up to 24 solenoids can be selected.
⋮	⋮	
24	24 stations	

PG: Flat ribbon cable (20 pins)

Symbol	Stations	Note
01	1 station	Up to 18 solenoids can be selected.
⋮	⋮	
18	18 stations	

PH: Flat ribbon cable (10 pins)

Symbol	Stations	Note
01	1 station	Up to 8 solenoids can be selected.
⋮	⋮	
08	8 stations	

- * This number also includes the blanking block. Since single and double wiring are available for the blanking block, select a model compatible with the valve wiring specification to be used. (Refer to page 105.)

7 SUP/EXH block mounting position

U	U side
D	D side
B	Both sides
M	Special specifications

- * Special specifications (including instructions for port sizes other than $\phi 10$ of the standard SUP/EXH block) must be specified separately in manifold specifications sheet.
- * For 11 or more valve stations, "B" (both sides) is recommended.

8 Pilot type

Nil	Internal pilot
S	Internal pilot, Built-in silencer
R	External pilot

- * There is no need to enter anything when the SUP/EXH block mounting position "M" is selected.
- * The 3/5(E) port is plugged for the built-in silencer type (S).
- * SJ4000 does not have the external pilot and built-in silencer (RS) type.

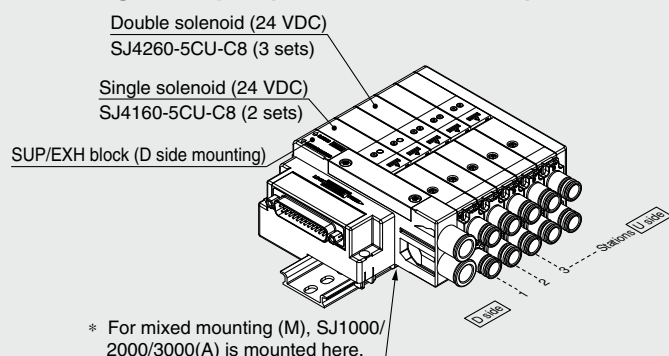
9 DIN rail length specified

Nil	Standard length	
2	2 stations	Specify a length longer than that of the standard rail.
⋮	⋮	
24	24 stations	

- * Specify the number of valve stations without exceeding the max. number of stations.

How to Order Manifold Assembly

Ordering example (SS5J4-60FD2-05D)

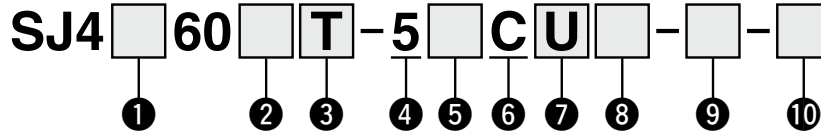


SS5J4-60FD2-05D 1 set (Manifold part no.)
 * SJ4160-5CU-C8 2 sets (Single solenoid part no.)
 * SJ4260-5CU-C8 3 sets (Double solenoid part no.)
 The asterisk denotes the symbol for the assembly. Prefix it to the part numbers of the solenoid valve, etc.

- * For the valve arrangement, the valve closest to the D side is considered the 1st station.
- * Under the manifold part number, state the valves to be mounted in order starting with the 1st station as shown in the figure. If the arrangement becomes too complicated, specify the details on a manifold specification sheet.
- * When ordering a manifold, specify the part nos. of the valves to be mounted on it. (An order cannot be placed with only the manifold part no.)

- * When SJ4000 and SJ1000/2000/3000 are mixed mounting (M), SJ1000/2000/3000 valves are mounted on the D side of SJ4000 D side SUP/EXH block.
- * SJ4000 series does not have an elbow One-touch fitting.

How to Order Solenoid Valves



1 Type of actuation

1	2-position single solenoid
2	2-position double solenoid
3	3-position closed center
4	3-position exhaust center
5	3-position pressure center
A	Dual 3-port valve: N.C./N.C.
B	Dual 3-port valve: N.O./N.O.
C	Dual 3-port valve: N.C./N.O.

* Refer to pages 22 and 23 for the symbol.

2 Pilot type

Nil	Internal pilot
R	External pilot

* External pilot specification is not applicable for 4-position dual 3-port valves.

3 Coil type

Nil	Standard
T	With power-saving circuit (Continuous duty type)

* Be sure to select the power-saving circuit type if the valve is to be continuously energized for long periods of time.

4 Rated voltage

5	24 VDC
---	--------

* 12 VDC is not available for the SJ4000.

5 Common specification

Nil	Positive common
N	Negative common

* For the non-polar type, there is no need to select a symbol.

6 Connector entry

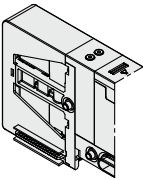
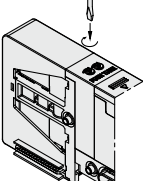
C	Dedicated for centralized wiring
---	----------------------------------

7 Light/surge voltage suppressor

U	With light/surge voltage suppressor (Non-polar type)
Z	With light/surge voltage suppressor (Polar type)

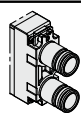
* When the type with power-saving circuit is used, the non-polar type cannot be selected.

8 Manual override

Nil	Non-locking push type	
	Push-turn locking slotted type	

9 A, B port size

Metric/One-touch fitting

C6	Straight	ø6	
		ø8	
C8			

10 Single solenoid wiring specification

Nil	Single wiring
D	Double wiring

* There is no need to enter anything for 2-position double, 3-position, and 4-position solenoid valves.

* SJ4000 series is not equipped with a back pressure check valve.
* SJ4000 series does not have a One-touch fitting for A, B port elbow.

SJ
1000
2000
3000
4000

Common Specifications

Construction

Plug-in

D-sub Flat Ribbon

EX180 EX510

Non Plug-in

Individual Wiring

Manifold Options

Made to Order

SJ3A6

Common Spec. Construction

Plug-in

D-sub Flat Ribbon Serial

Non Plug-in

Individual Wiring

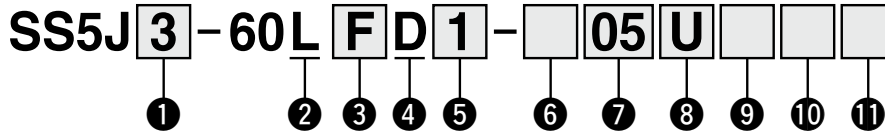
Specific Product Precautions

SJ2000/3000 Series

An order cannot be placed with only the manifold part no. Be sure to order solenoid valves for mounting at the same time while referring to the ordering example.

How to Order

● Cable type manifold



1 Series

2	SJ2000
3	SJ3000

2 Cable type

4 Connector mounting position

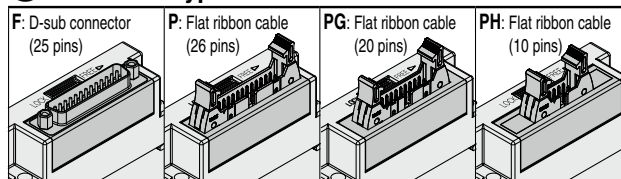
Symbol	Mounting position
D	D side

6 Manifold wiring specification

Nil	All double wiring*1
S	All single wiring*2

- *1 All double wiring: 2-position single, 2-position double, 3-position, and 4-position valves can be used on all manifold stations.
- *2 All single wiring: Available only for manifolds which have 2-position single valves on all stations
Note that 2-position double, 3-position, or 4-position valves cannot be used.
- * If a mixture of single wiring and double wiring is required, it is available as a special order.

3 Connector type



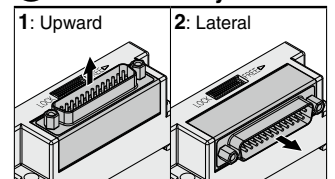
7 Valve stations

F: D-sub connector (25 pins)			P: Flat ribbon cable (26 pins)		
Symbol	Stations	Note	Symbol	Stations	Note
02	2 stations	All double wiring	02	2 stations	All double wiring
10	10 stations		10	10 stations	
02	2 stations	All single wiring	02	2 stations	All single wiring
20	20 stations		20	20 stations	

PG: Flat ribbon cable (20 pins)			PH: Flat ribbon cable (10 pins)		
Symbol	Stations	Note	Symbol	Stations	Note
02	2 stations	All double wiring	02	2 stations	All double wiring
09	9 stations		04	4 stations	
02	2 stations	All single wiring	02	2 stations	All single wiring
18	18 stations		08	8 stations	

- * This number also includes the blanking plate.
- * The cable type is only applicable when there are 2 or more stations.

5 Connector entry direction



8 SUP/EXH block mounting position

U	U side
D	D side
B	Both sides
M*1	Special specifications

- *1 Specify the required specifications (including port sizes other than ø8) on the manifold specification sheet.
- * Due to the length of the cable, the max. number of supply and exhaust blocks that can be installed is 3 in total: one set between stations, one set on the D-side, and one set on the U-side end of the manifold.

9 Pilot type

Nil	Internal pilot
S	Internal pilot, Built-in silencer
R	External pilot
RS	External pilot, Built-in silencer

- * There is no need to enter anything when the SUP/EXH block mounting position "M" is selected.

10 SUP/EXH block fitting specification

Nil	L	B
Straight fitting With external pilot spec. X, PE port: Elbow fitting	Elbow fitting (Upward) With external pilot spec. X, PE port: Straight fitting	Elbow fitting (Downward) With external pilot spec. X, PE port: Elbow fitting

- * There is no need to enter anything when the SUP/EXH block mounting position "M" is selected.

11 DIN rail length specified

Nil	Standard length
3	3 stations
...	Specify a length longer than that of the standard rail.
20	20 stations

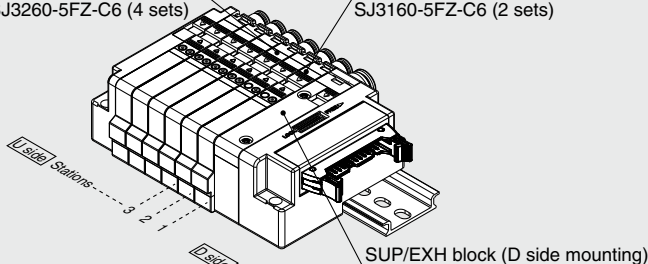
- * Specify the number of valve stations without exceeding the max. number of stations.

How to Order Manifold Assembly

Ordering example (SS5J3-60LPD2)

Double solenoid (24 VDC)
SJ3260-5FZ-C6 (4 sets)

Single solenoid (24 VDC)
SJ3160-5FZ-C6 (2 sets)

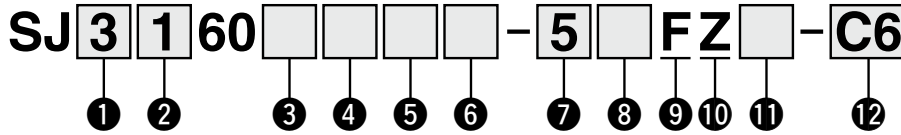


SS5J3-60LPD2-06D.....1 set (Manifold part no.)
* SJ3160-5FZ-C62 sets (Single solenoid part no.)
* SJ3260-5FZ-C64 sets (Double solenoid part no.)

The asterisk denotes the symbol for the assembly.
Prefix it to the part numbers of the solenoid valve, etc.

- For the valve arrangement, the valve closest to the D side is considered the 1st station.
- Under the manifold part number, state the valves to be mounted in order starting with the 1st station as shown in the figure. If the arrangement becomes too complicated, specify the details on a manifold specification sheet.
- * When ordering a manifold, specify the part nos. of the valves to be mounted on it. (An order cannot be placed with only the manifold part no.)

How to Order Solenoid Valves



1 Series

2	SJ2000
3	SJ3000

2 Type of actuation

1	2-position single solenoid
2	2-position double solenoid
3	3-position closed center
4	3-position exhaust center
5	3-position pressure center
A	Dual 3-port valve: N.C./N.C.
B	Dual 3-port valve: N.O./N.O.
C	Dual 3-port valve: N.C./N.O.

* Refer to pages 24 to 27 for the symbol.
 * Large flow rate "A" is available only for actuation types "1" and "2".

3

Nil	Standard flow type
A*1	Large flow type

*1 SJ3000 series only

5 Back pressure check valve

Nil	None
K	Built-in

* 3-position and large flow rate "A" solenoid valves are not provided with a back pressure check valve.

4 Pilot type

Nil	Internal pilot
R	External pilot

* External pilot specification is not applicable for 4-position dual 3-port valves.

6 Coil type

Nil	Standard
T	With power-saving circuit (Continuous duty type)

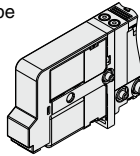
* Be sure to select the power-saving circuit type if the valve is to be continuously energized for long periods of time.

7 Rated voltage

5	24 VDC
6	12 VDC

9 Connector entry

F: Dedicated for centralized wiring, cable type



8 Common specification

Nil	Positive common
N	Negative common

10 Light/surge voltage suppressor

Z	With light/surge voltage suppressor
---	-------------------------------------

12 A, B port size

Metric/One-touch fitting

Symbol	A, B port	SJ2000	SJ3000	SJ3000A		
C2	Straight	ø2	●	●	—	
		ø4	●	●	●	
		ø6	—	●	●	
L2	Upward entry	ø2	●	●	—	
		ø4	●	●	●	
		ø6	—	●	●	
	Downward entry	ø2	●	●	—	
		ø4	●	●	●	
		ø6	—	●	●	

Thread piping

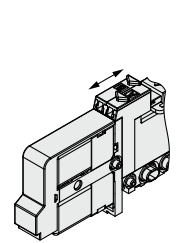
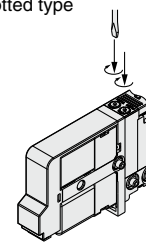
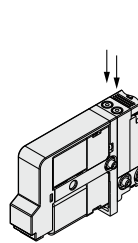
Symbol	A, B port	SJ2000	SJ3000	SJ3000A	
M3	M3 x 0.5	●	—	—	
M5	M5 x 0.8	—	●	●	

11 Manual override

Nil: Non-locking push type

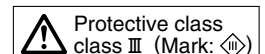
D: Push-turn locking slotted type

F: Slide locking type



Inch/One-touch fitting

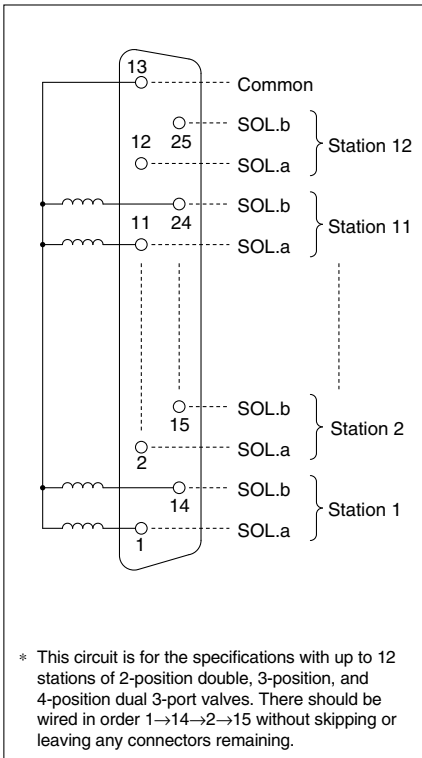
Symbol	A, B port	SJ2000	SJ3000	SJ3000A		
N1	Straight	ø1/8"	●	●	—	
		ø5/32"	●	●	●	
		ø1/4"	—	●	●	
LN1	Upward entry	ø1/8"	●	●	—	
		ø5/32"	●	●	●	
		ø1/4"	—	●	●	
	Downward entry	ø1/8"	●	●	—	
		ø5/32"	●	●	●	
		ø1/4"	—	●	●	



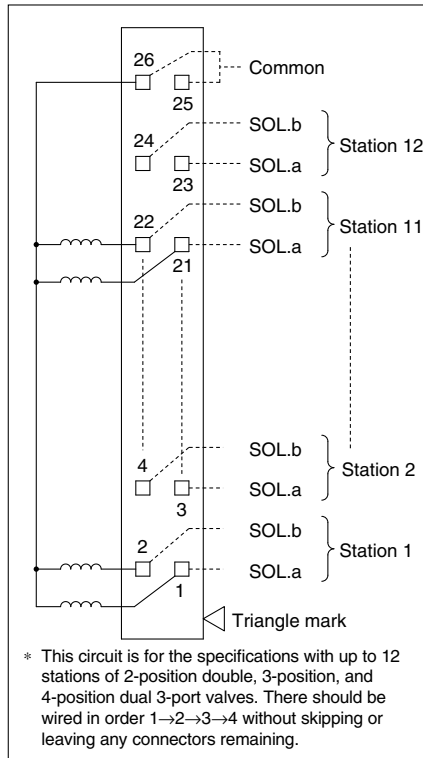
SJ1000/2000/3000/4000 Series

Manifold Electrical Wiring: Connector Type (Non-polar Type)

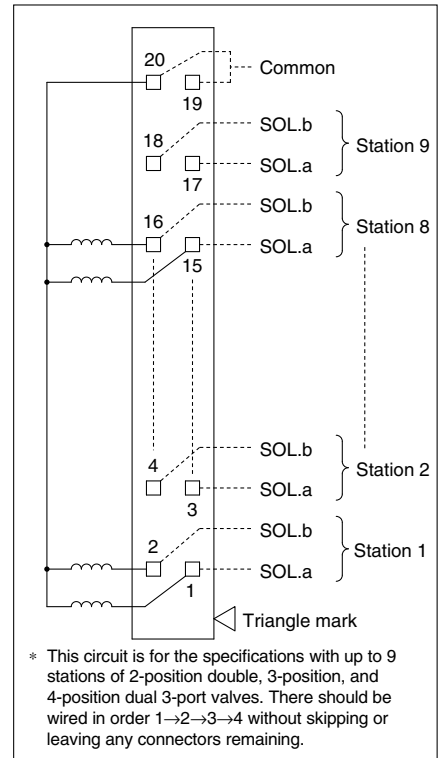
Type 60F: D-sub connector (25 pins)



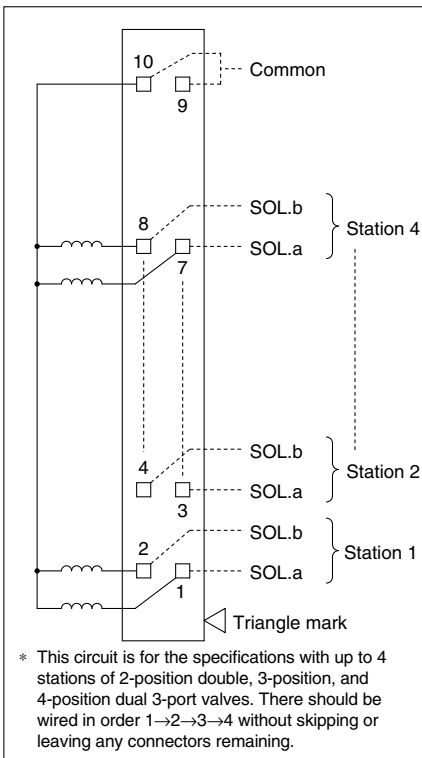
Type 60P: Flat ribbon cable (26 pins)



Type 60PG: Flat ribbon cable (20 pins)



Type 60PH: Flat ribbon cable (10 pins)

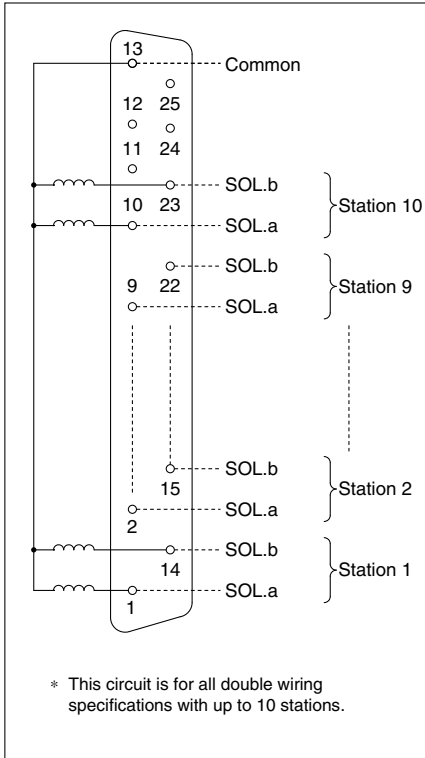


⚠ Caution

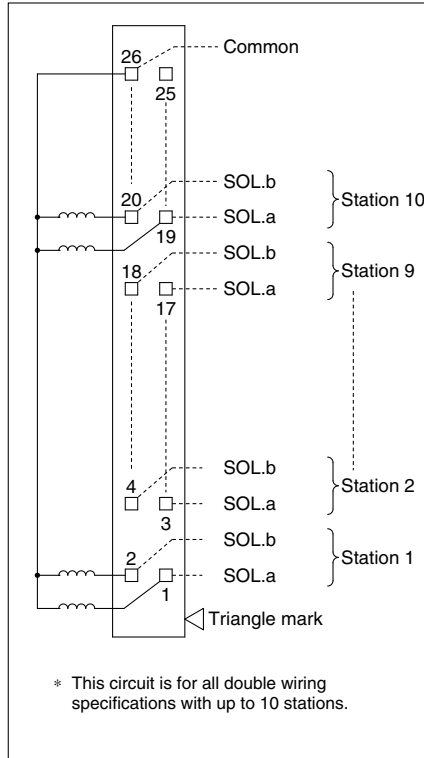
When the non-polar U type valves are used, either positive common or negative common wiring of the manifold is possible. However, when the Z type valves are used, select the positive common or negative common according to the wiring specifications.

Manifold Electrical Wiring: Cable Type

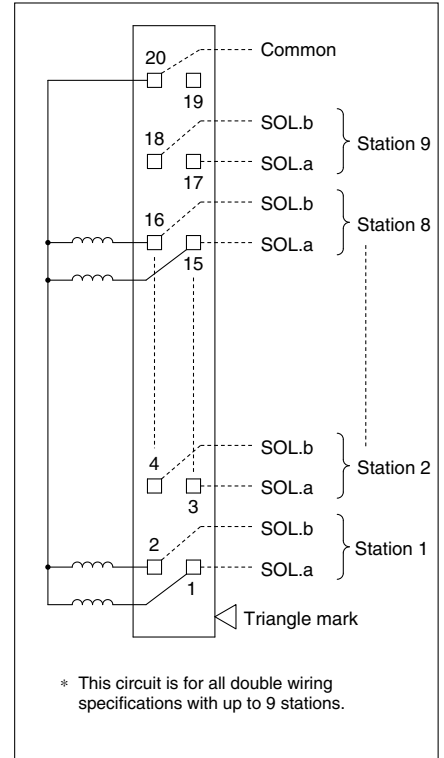
Type 60LF: D-sub connector (25 pins)



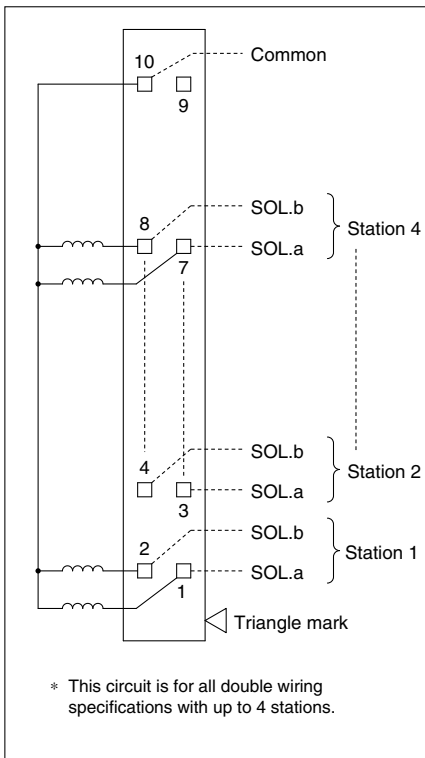
Type 60LP: Flat ribbon cable (26 pins)



Type 60LPG: Flat ribbon cable (20 pins)



Type 60LPH: Flat ribbon cable (10 pins)



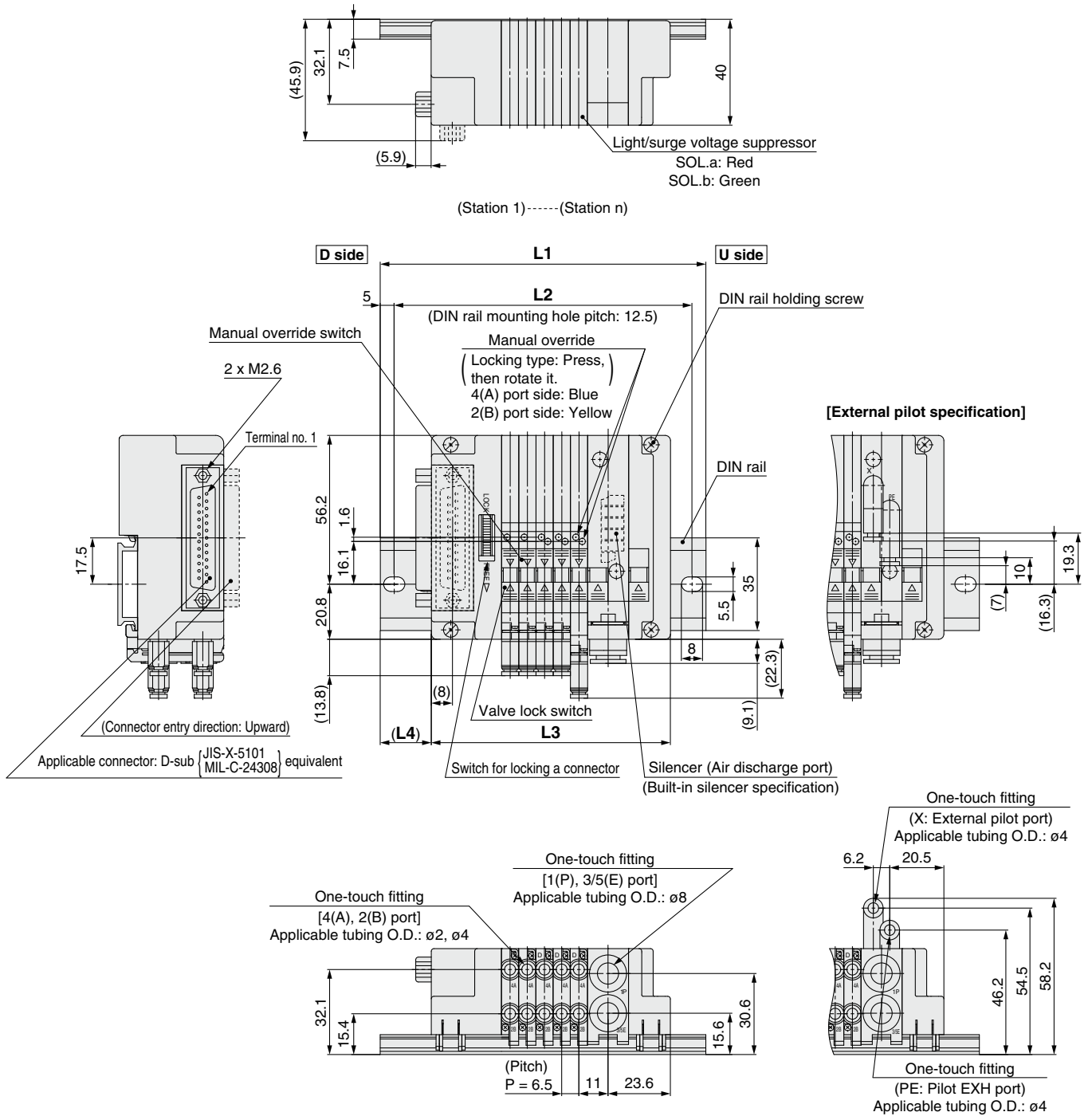
⚠ Caution

For electrical connections, select the positive common or negative common according to the wiring specifications.

SJ1000/2000/3000/4000 Series

Dimensions: SJ1000 for D-sub Connector

SS5J1-60FD₂-[Stations]U(S, R, RS)



L: Dimensions

L \ n	n: Stations																							
	1	2	3	4	5	6	7	8	9	10	11	12	13	14	15	16	17	18	19	20	21	22	23	24
L1	98	110.5	110.5	123	123	135.5	135.5	148	148	160.5	160.5	173	173	185.5	185.5	198	198	210.5	210.5	223	235.5	235.5	248	248
L2	87.5	100	100	112.5	112.5	125	125	137.5	137.5	150	150	162.5	162.5	175	175	187.5	187.5	200	200	212.5	225	225	237.5	237.5
L3	64.3	70.8	77.3	83.8	90.3	96.8	103.3	109.8	116.3	122.8	129.3	135.8	142.3	148.8	155.3	161.8	168.3	174.8	181.3	187.8	194.3	200.8	207.3	213.8
L4	20	23	19.5	22.5	19.5	22.5	19	22	19	22	18.5	21.5	18.5	21.5	18	21	18	21	17.5	20.5	23.5	20.5	23.5	20

Dimensions: SJ1000 for D-sub Connector

SS5J1-60FD₂-Stations B(S, R, RS)

SJ
1000
2000
3000
4000

Common
Specifications

Construction

Plug-in

D-sub
Flat Ribbon

EX180 EX180

Non
Plug-in

Individual
Wiring

Manifold
Options

Made to
Order

SJ3A6

Common Spec.
Construction

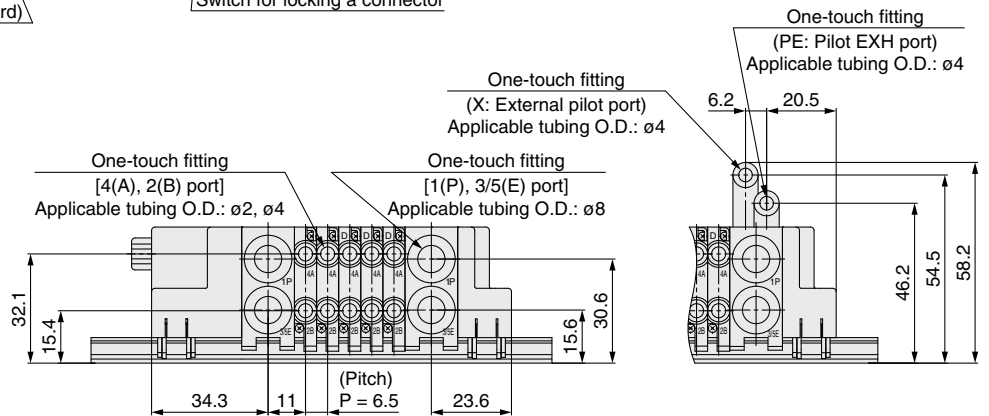
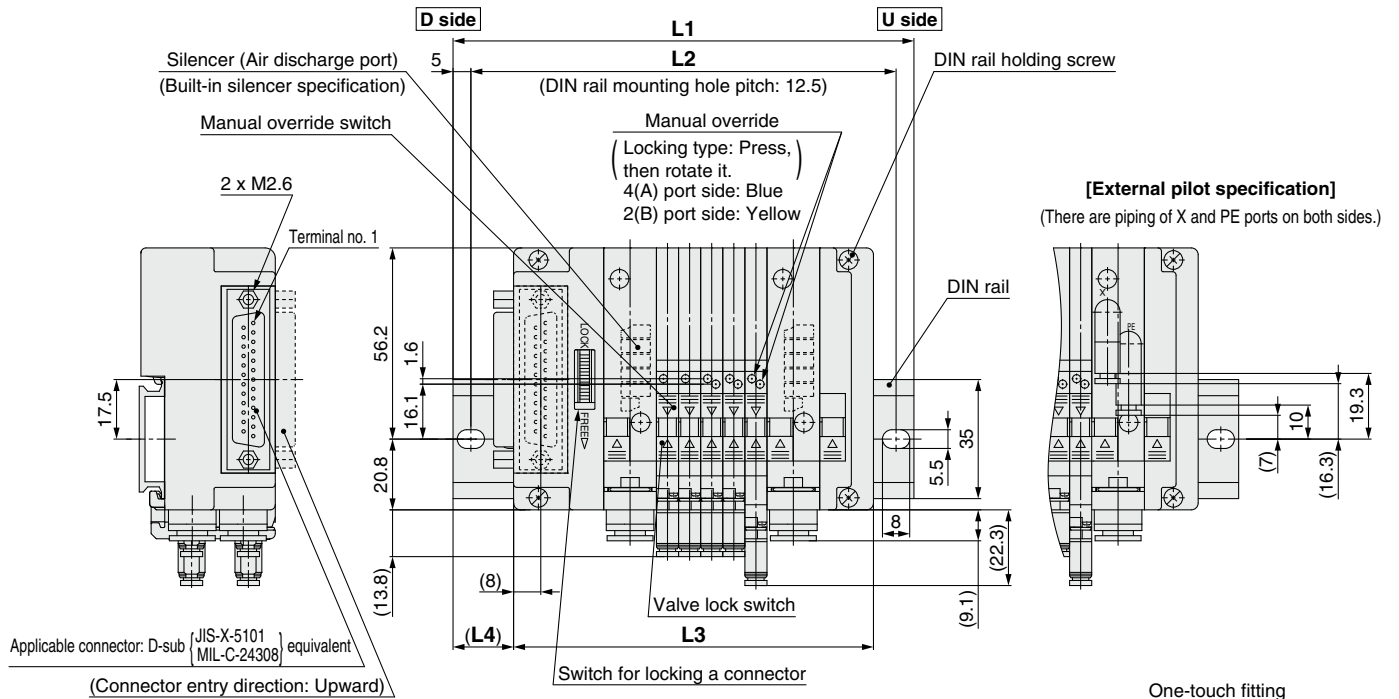
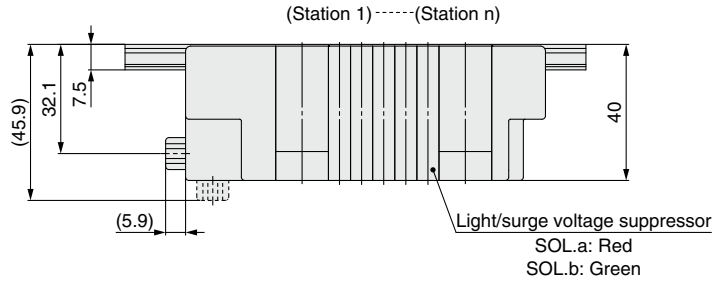
Plug-in

D-sub
Flat Ribbon
Serial

Non
Plug-in

Individual
Wiring

Specific Product
Precautions



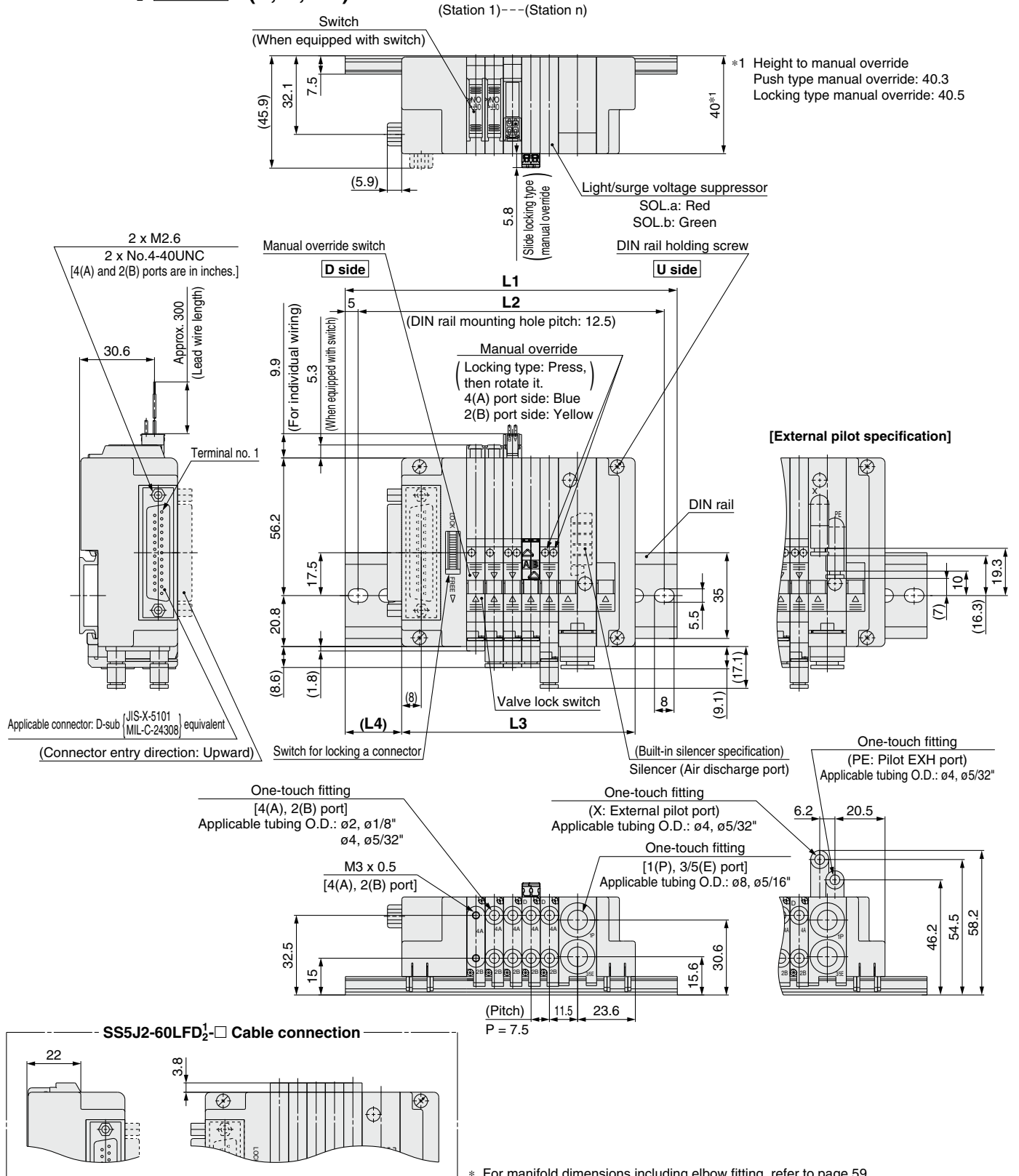
L: Dimensions

L	n: Stations																							
	1	2	3	4	5	6	7	8	9	10	11	12	13	14	15	16	17	18	19	20	21	22	23	24
L1	110.5	123	123	135.5	135.5	148	148	160.5	173	173	185.5	185.5	198	198	210.5	210.5	223	223	235.5	235.5	248	248	260.5	260.5
L2	100	112.5	112.5	125	125	137.5	137.5	150	162.5	162.5	175	175	187.5	187.5	200	200	212.5	212.5	225	225	237.5	237.5	250	250
L3	79.8	86.3	92.8	99.3	105.8	112.3	118.8	125.3	131.8	138.3	144.8	151.3	157.8	164.3	170.8	177.3	183.8	190.3	196.8	203.3	209.8	216.3	222.8	229.3
L4	18.5	21.5	18	21	18	21	17.5	20.5	23.5	20.5	23.5	20	23	20	23	19.5	22.5	19.5	22.5	19	22	19	22	18.5

SJ1000/2000/3000/4000 Series

Dimensions: SJ2000 for D-sub Connector

SS5J2-60FD₂-□ Stations U(S, R, RS)

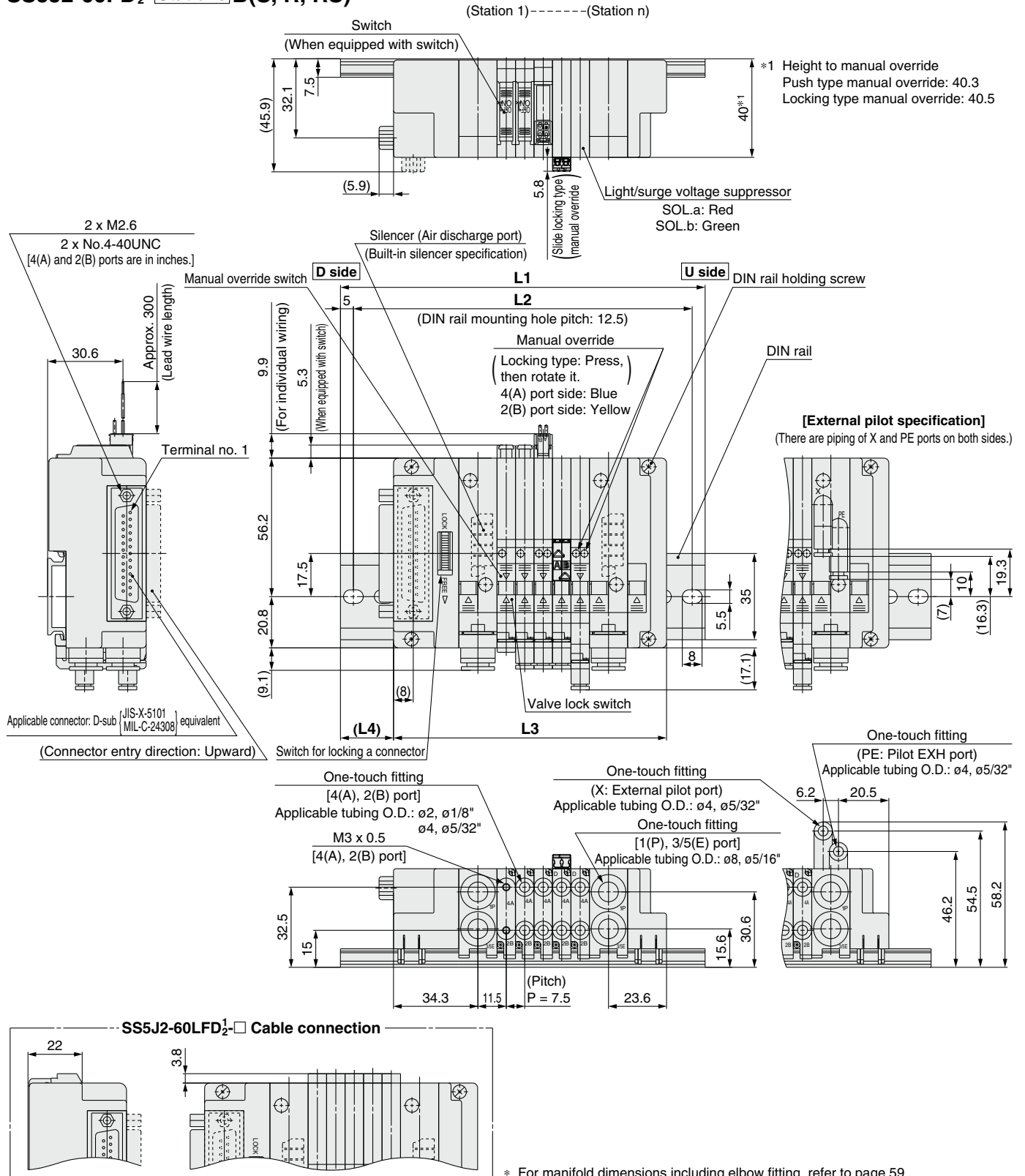


L: Dimensions

L	n: Stations																							
	1	2	3	4	5	6	7	8	9	10	11	12	13	14	15	16	17	18	19	20	21	22	23	24
L1	98	110.5	110.5	123	135.5	135.5	148	148	160.5	173	173	185.5	185.5	198	210.5	210.5	223	223	235.5	248	248	260.5	260.5	273
L2	87.5	100	100	112.5	125	125	137.5	137.5	150	162.5	162.5	175	175	187.5	200	200	212.5	212.5	225	237.5	237.5	250	250	262.5
L3	65.3	72.8	80.3	87.8	95.3	102.8	110.3	117.8	125.3	132.8	140.3	147.8	155.3	162.8	170.3	177.8	185.3	192.8	200.3	207.8	215.3	222.8	230.3	237.8
L4	19.5	22	18	20.5	23	19.5	22	18	20.5	23	19.5	22	18	20.5	23	19.5	22	18	20.5	23	19.5	22	18	20.5

Dimensions: SJ2000 for D-sub Connector

SS5J2-60FD₂-[Stations] B(S, R, RS)



L: Dimensions

L	n	1	2	3	4	5	6	7	8	9	10	11	12	13	14	15	16	17	18	19	20	21	22	23	24
L1		110.5	123	135.5	135.5	148	148	160.5	173	173	185.5	185.5	198	210.5	210.5	223	223	235.5	248	248	260.5	260.5	273	285.5	285.5
L2		100	112.5	125	125	137.5	137.5	150	162.5	162.5	175	175	187.5	200	200	212.5	212.5	225	237.5	237.5	250	250	262.5	275	275
L3		80.8	88.3	95.8	103.3	110.8	118.3	125.8	133.3	140.8	148.3	155.8	163.3	170.8	178.3	185.8	193.3	200.8	208.3	215.8	223.3	230.8	238.3	245.8	253.3
L4		18	20.5	23	19	21.5	18	20.5	23	19	21.5	18	20.5	23	19	21.5	18	20.5	23	19	21.5	18	20.5	23	19

SJ
1000
2000
3000
4000

Common
Specifications

Construction

Plug-in

D-sub
Flat Ribbon

EX180 EX510

Non
Plug-in

Individual
Wiring

Manifold
Options

Made to
Order

SJ3A6

Common Spec.
Construction

Plug-in

D-sub
Flat Ribbon
Serial

Non
Plug-in

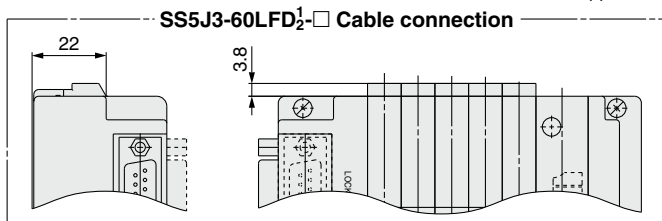
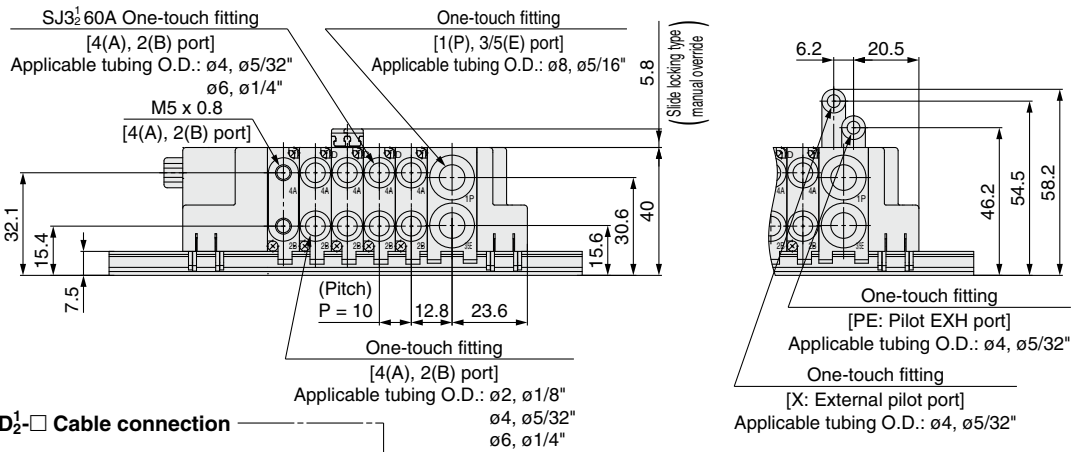
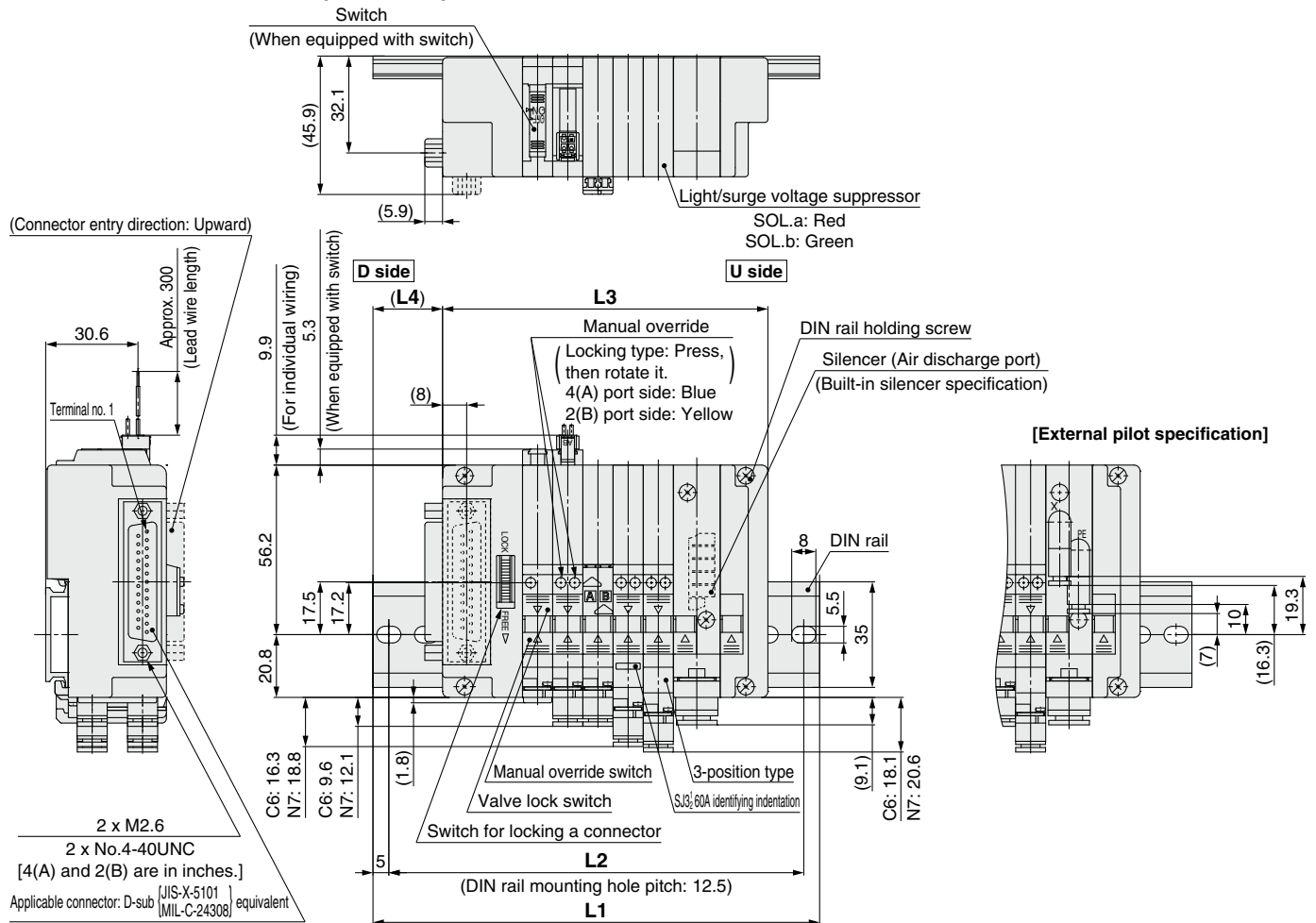
Individual
Wiring

Specific Product
Precautions

SJ1000/2000/3000/4000 Series

Dimensions: SJ3000(A) for D-sub Connector

SS5J3-60FD₂-[Stations] U(S, R, RS) (Station 1)-----[Station n]



* For manifold dimensions including elbow fitting, refer to page 60.

L: Dimensions

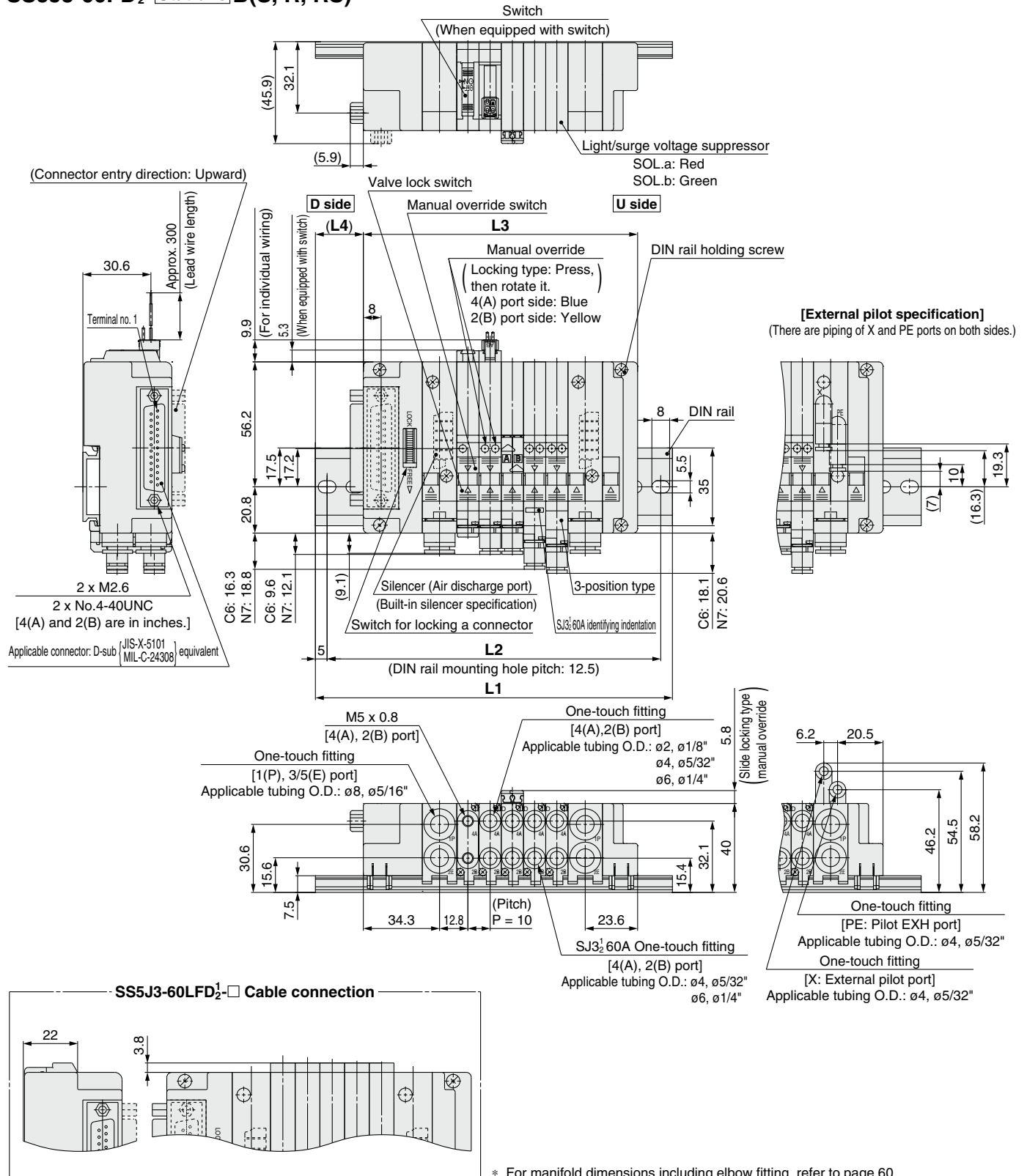
n: Stations

L \ n	1	2	3	4	5	6	7	8	9	10	11	12	13	14	15	16	17	18	19	20	21	22	23	24
L1	98	110.5	123	135.5	148	148	160.5	173	185.5	198	210.5	210.5	223	235.5	248	260.5	260.5	273	285.5	298	310.5	323	323	335.5
L2	87.5	100	112.5	125	137.5	137.5	150	162.5	175	187.5	200	200	212.5	225	237.5	250	250	262.5	275	287.5	300	312.5	312.5	325
L3	67.8	77.8	87.8	97.8	107.8	117.8	127.8	137.8	147.8	157.8	167.8	177.8	187.8	197.8	207.8	217.8	227.8	237.8	247.8	257.8	267.8	277.8	287.8	297.8
L4	18	19	20.5	21.5	22.5	17.5	18.5	20	21	22	23	18	19.5	20.5	21.5	22.5	17.5	19	20	21	22	23.5	18.5	19.5

Dimensions: SJ3000(A) for D-sub Connector

SS5J3-60FD₂-[Stations B(S, R, RS)]

(Station 1) ----- (Station n)



* For manifold dimensions including elbow fitting, refer to page 60.

L: Dimensions

L	n: Stations																							
	1	2	3	4	5	6	7	8	9	10	11	12	13	14	15	16	17	18	19	20	21	22	23	24
L1	123	123	135.5	148	160.5	173	185.5	185.5	198	210.5	223	235.5	235.5	248	260.5	273	285.5	298	298	310.5	323	335.5	348	348
L2	112.5	112.5	125	137.5	150	162.5	175	175	187.5	200	212.5	225	225	237.5	250	262.5	275	287.5	287.5	300	312.5	325	337.5	337.5
L3	83.3	93.3	103.3	113.3	123.3	133.3	143.3	153.3	163.3	173.3	183.3	193.3	203.3	213.3	223.3	233.3	243.3	253.3	263.3	273.3	283.3	293.3	303.3	313.3
L4	22.5	17.5	19	20	21	22	23.5	18.5	19.5	20.5	21.5	23	18	19	20	21	22.5	23.5	18.5	19.5	20.5	22	23	18

Common Specifications

Construction

Plug-in

D-sub Flat Ribbon

EX180 EX1510

Non Plug-in

Individual Wiring

Manifold Options

Made to Order

SJ3A6

Common Spec. Construction

Plug-in

D-sub Flat Ribbon Serial

Non Plug-in

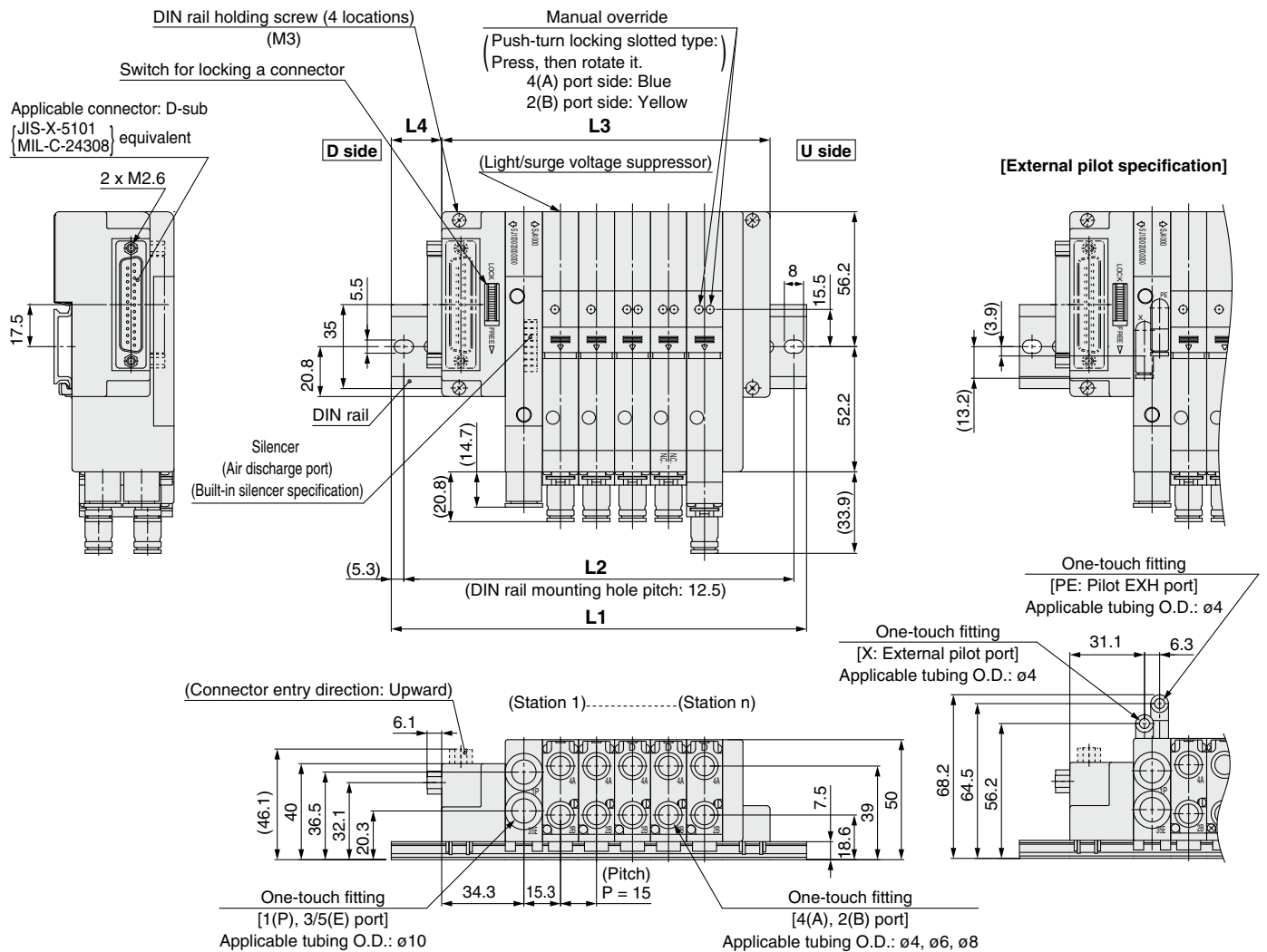
Individual Wiring

Specific Product Precautions

SJ1000/2000/3000/4000 Series

Dimensions: **SJ4000** for D-sub Connector

SS5J4-60FD₂-[Stations]D(S, R)

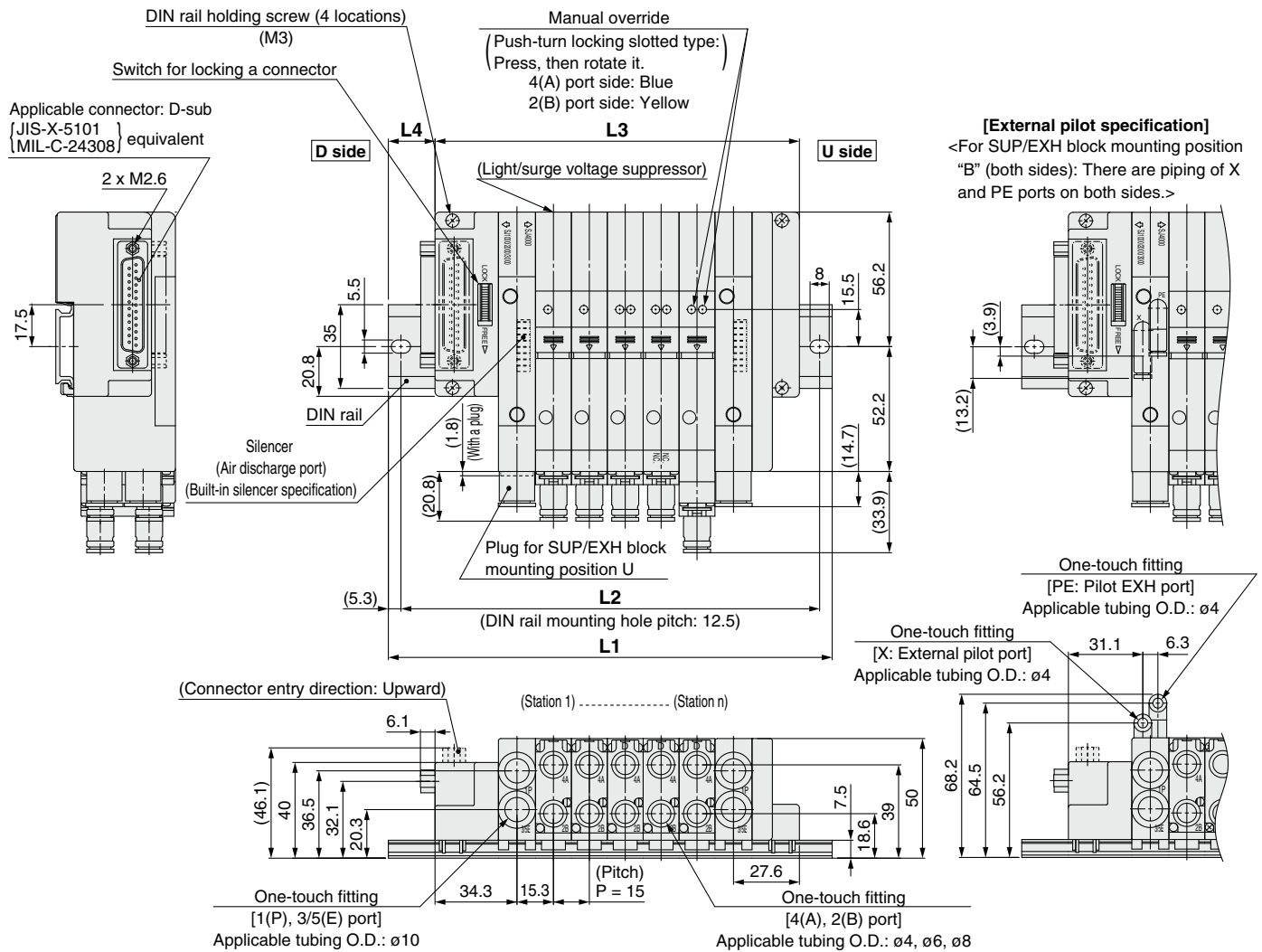


L: Dimensions

L	n: Stations																							
	1	2	3	4	5	6	7	8	9	10	11	12	13	14	15	16	17	18	19	20	21	22	23	24
L1	110.5	123	148	160.5	173	185.5	198	223	235.5	248	260.5	273	298	310.5	323	335.5	348	373	385.5	398	410.5	423	448	460.5
L2	100	112.5	137.5	150	162.5	175	187.5	212.5	225	237.5	250	262.5	287.5	300	312.5	325	337.5	362.5	375	387.5	400	412.5	437.5	450
L3	76.8	91.8	106.8	121.8	136.8	151.8	166.8	181.8	196.8	211.8	226.8	241.8	256.8	271.8	286.8	301.8	316.8	331.8	346.8	361.8	376.8	391.8	406.8	421.8
L4	20	18.5	23.5	22.5	21	20	18.5	23.5	22.5	21	20	18.5	23.5	22.5	21	20	18.5	23.5	22.5	21	20	18.5	23.5	22.5

Dimensions: SJ4000 for D-sub Connector

SS5J4-60FD₂-[Stations]_B^U(S, R)



L: Dimensions

L	n: Stations																							
	1	2	3	4	5	6	7	8	9	10	11	12	13	14	15	16	17	18	19	20	21	22	23	24
L1	123	148	160.5	173	185.5	198	223	235.5	248	260.5	273	298	310.5	323	335.5	348	373	385.5	398	410.5	423	448	460.5	473
L2	112.5	137.5	150	162.5	175	187.5	212.5	225	237.5	250	262.5	287.5	300	312.5	325	337.5	362.5	375	387.5	400	412.5	437.5	450	462.5
L3	92.3	107.3	122.3	137.3	152.3	167.3	182.3	197.3	212.3	227.3	242.3	257.3	272.3	287.3	302.3	317.3	332.3	347.3	362.3	377.3	392.3	407.3	422.3	437.3
L4	18.5	23.5	22	21	19.5	18.5	23.5	22	21	19.5	18.5	23.5	22	21	19.5	18.5	23.5	22	21	19.5	18.5	23.5	22	21

SJ
1000
2000
3000
4000

Common Specifications

Construction

Plug-in

D-sub Flat Ribbon

EX180 EX510

Non Plug-in

Individual Wiring

Manifold Options

Made to Order

SJ3A6

Common Spec. Construction

Plug-in

D-sub Flat Ribbon Serial

Non Plug-in

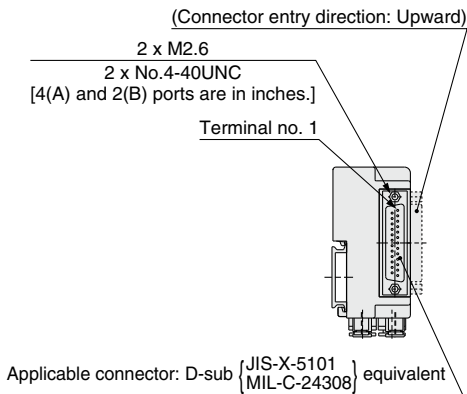
Individual Wiring

Specific Product Precautions

SJ1000/2000/3000/4000 Series

Dimensions: SJ1000/2000/3000(A) Mixed Manifold

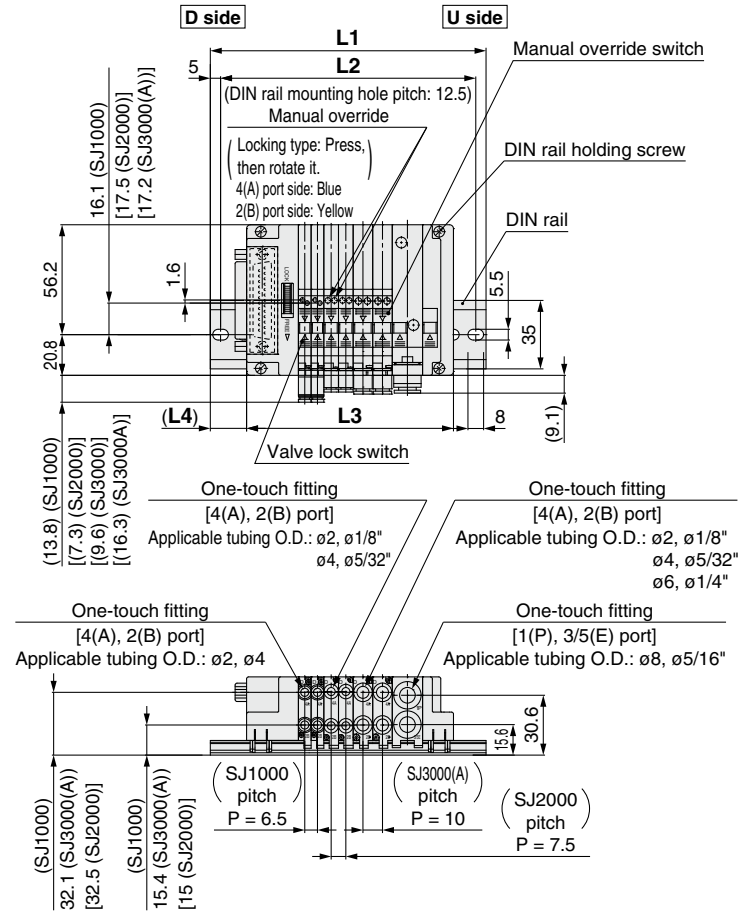
SS5J3-M60FD_{1/2}-[Stations] U(S, R, RS)



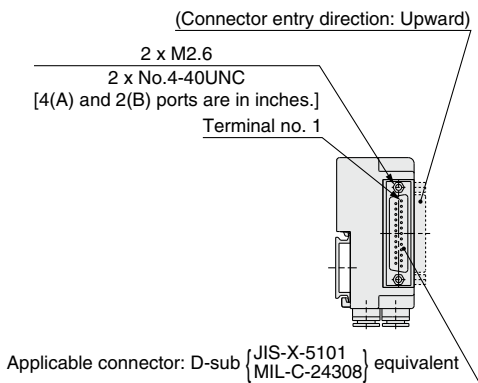
L dimension: Formula, L1 to L4
 $L3 = 6.5 \times n1 + 7.5 \times n2 + 10 \times n3 + 57.8$
 $M = (L3 + 9.9) / 12.5 + 1$
 Decimal fractions are truncated.
 $L1 = M \times 12.5 + 23$
 $L2 = L1 - 10.5$
 $L4 = (L1 - L3) / 2 + 1$

n1 = Number of SJ1000
 n2 = Number of SJ2000
 n3 = Number of SJ3000(A)

* The dimensions of L1 to L4 for **SS5J3-M60FD_{1/2}-[Stations] D** are the same as those of **SS5J3-M60FD_{1/2}-[Stations] U**.

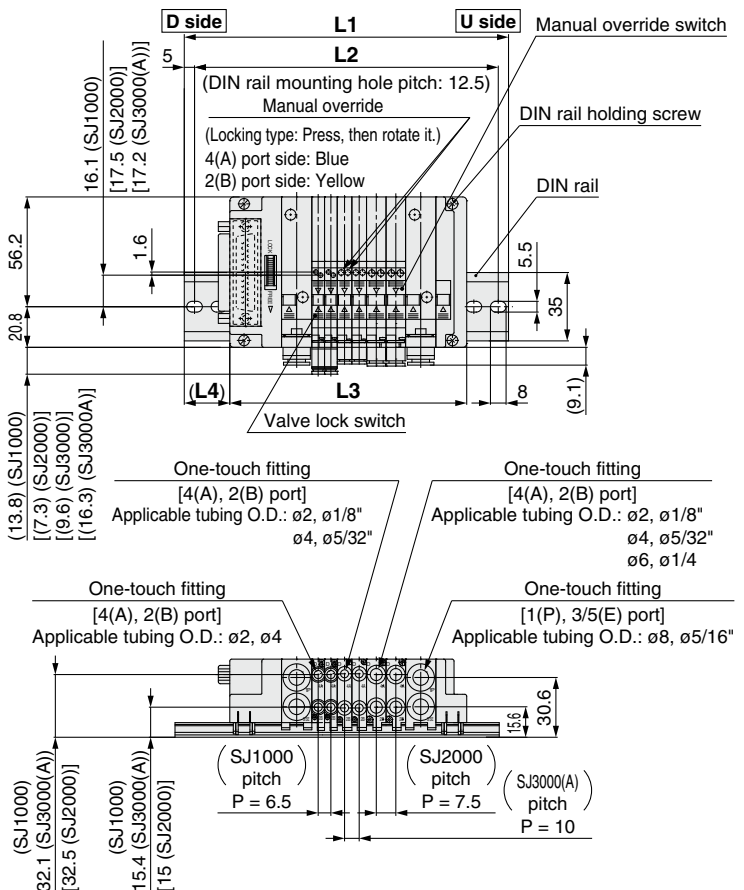


SS5J3-M60FD_{1/2}-[Stations] B(S, R, RS)



$L3 = 6.5 \times n1 + 7.5 \times n2 + 10 \times n3 + 73.3$
 $M = (L3 + 9.9) / 12.5 + 1$
 Decimal fractions are truncated.
 $L1 = M \times 12.5 + 23$
 $L2 = L1 - 10.5$
 $L4 = (L1 - L3) / 2 + 1$

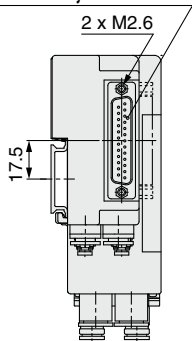
n1 = Number of SJ1000
 n2 = Number of SJ2000
 n3 = Number of SJ3000(A)



Dimensions: SJ1000/2000/3000/4000 Mixed Manifold

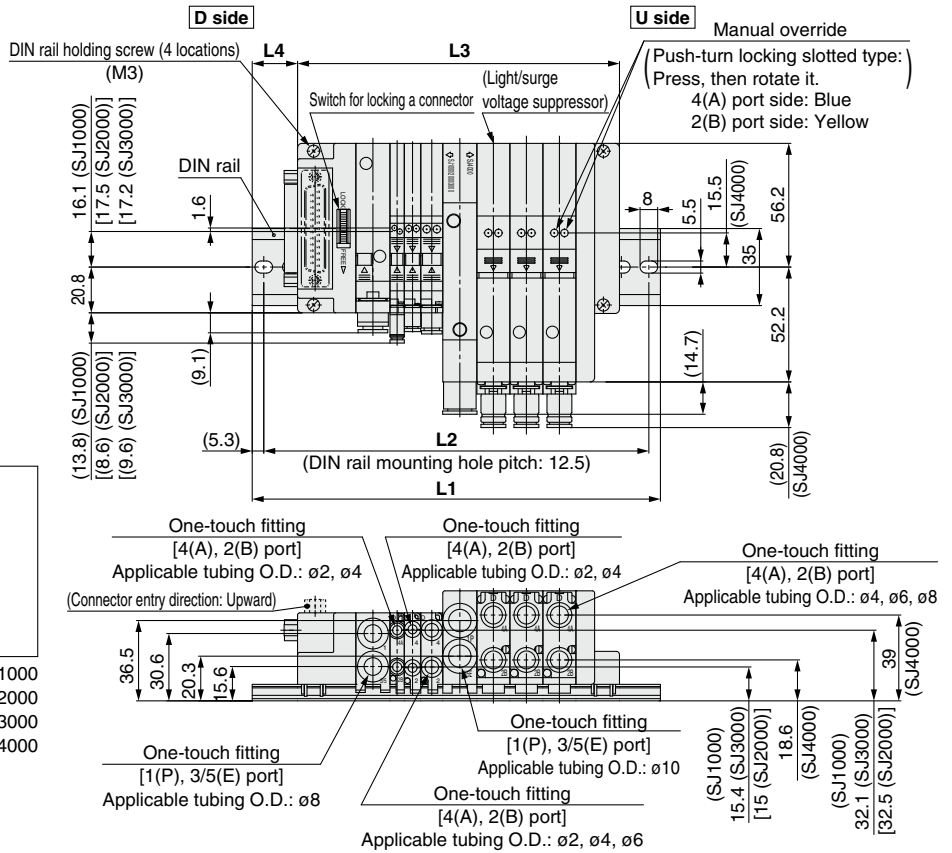
SS5J4-M60FD₂-Stations D(S, R)

Applicable connector: D-sub
[JIS-X-5101
MIL-C-24308] equivalent



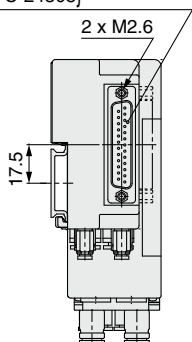
L dimension: Formula, L1 to L4
 $L3 = 6.5 \times n1 + 7.5 \times n2 + 10 \times n3 + 15 \times n4 + 77.3$
 $M = (L3 + 9.9) / 12.5 + 1$
 Decimal fractions are truncated.
 $L1 = M \times 12.5 + 23$
 $L2 = L1 - 10.5$
 $L4 = (L1 - L3) / 2 + 1$

n1 = Number of SJ1000
 n2 = Number of SJ2000
 n3 = Number of SJ3000
 n4 = Number of SJ4000



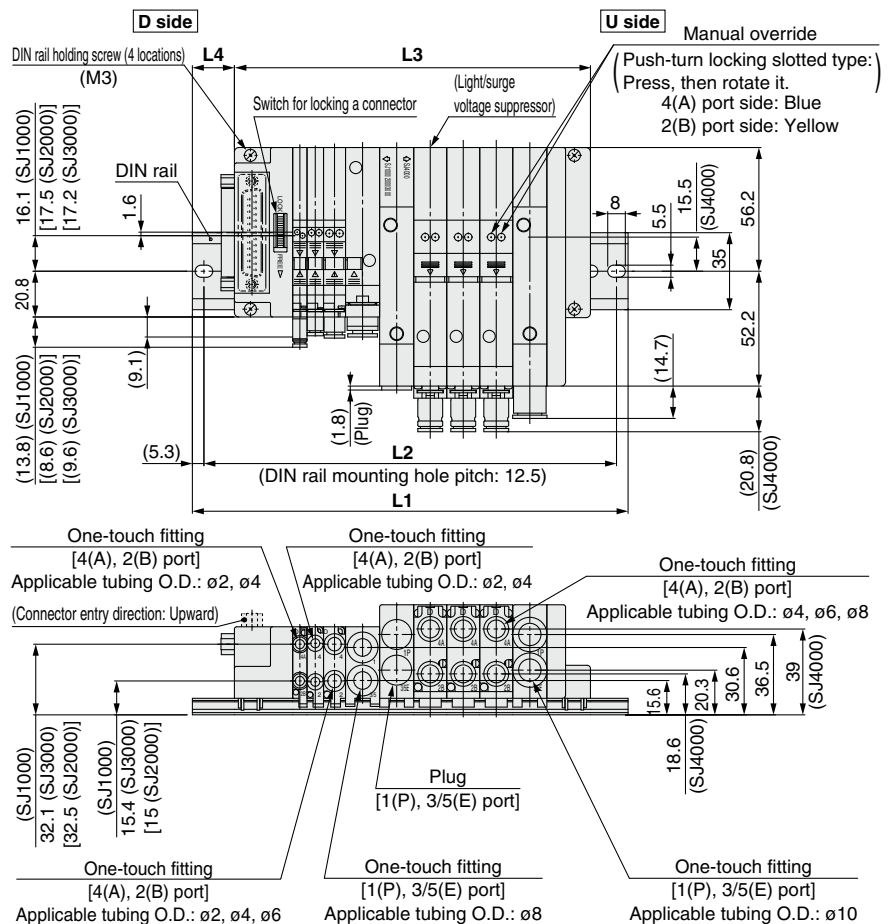
SS5J4-M60FD₂-Stations U(S, R)

Applicable connector: D-sub
[JIS-X-5101
MIL-C-24308] equivalent



L dimension: Formula, L1 to L4
 $L3 = 6.5 \times n1 + 7.5 \times n2 + 10 \times n3 + 15 \times n4 + 92.8$
 $M = (L3 + 9.9) / 12.5 + 1$
 Decimal fractions are truncated.
 $L1 = M \times 12.5 + 23$
 $L2 = L1 - 10.5$
 $L4 = (L1 - L3) / 2 + 1$

n1 = Number of SJ1000
 n2 = Number of SJ2000
 n3 = Number of SJ3000
 n4 = Number of SJ4000



SJ
1000
2000
3000
4000

Common
Specifications

Construction

Plug-in

D-sub
Flat Ribbon

EX510 EX180

Non
Plug-in

Individual
Wiring

Manifold
Options

Made to
Order

SJ3A6

Common Spec.
Construction

Plug-in

D-sub
Flat Ribbon
Serial

Non
Plug-in

Individual
Wiring

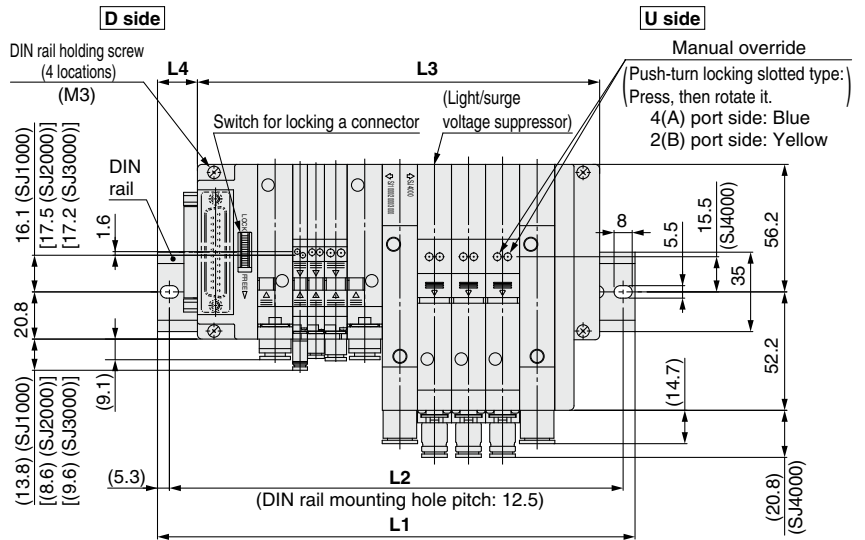
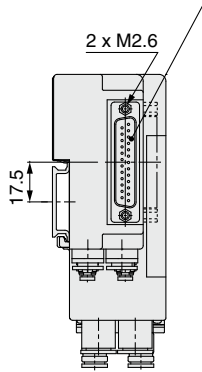
Specific Product
Precautions

SJ1000/2000/3000/4000 Series

Dimensions: SJ1000/2000/3000/4000 Mixed Manifold

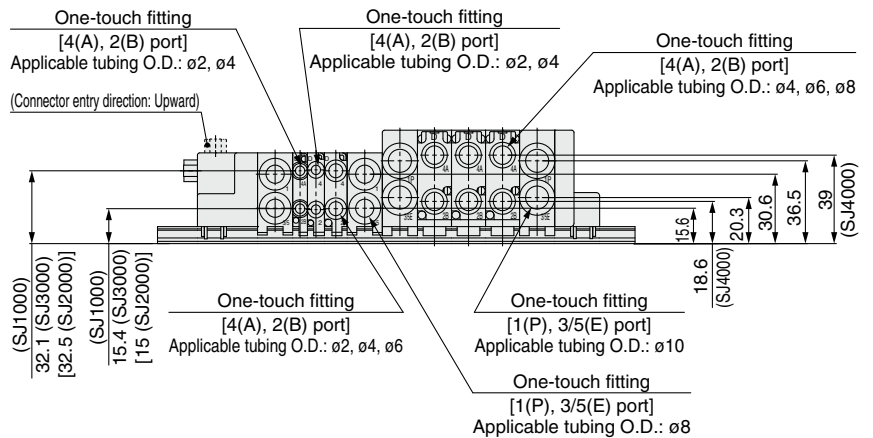
SS5J4-M60FD_{1/2}-Stations B(S, R)

Applicable connector: D-sub
(JIS-X-5101
MIL-C-24308) equivalent



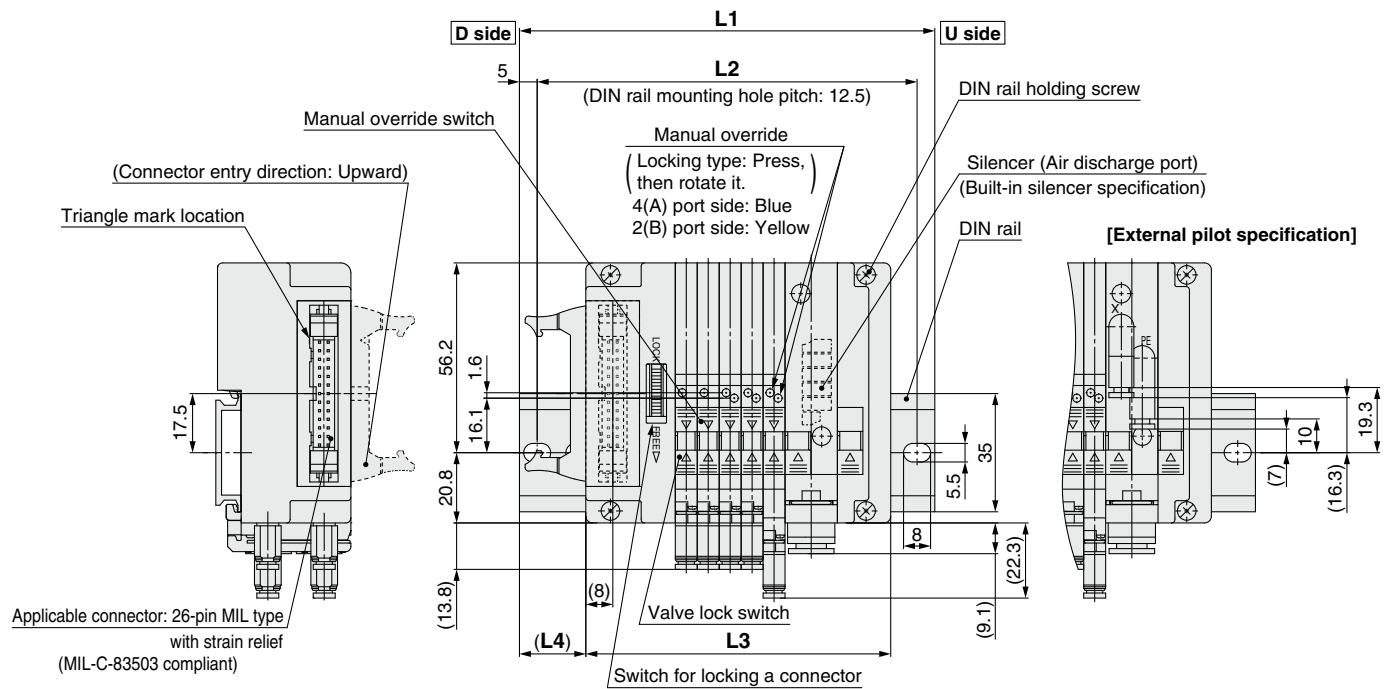
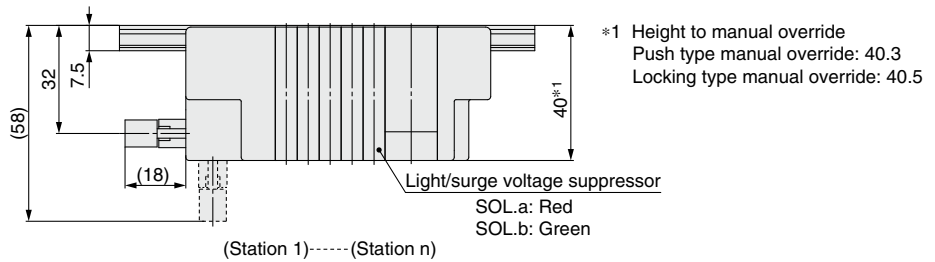
L dimension: Formula, L1 to L4
 $L3 = 6.5 \times n1 + 7.5 \times n2 + 10 \times n3 + 15 \times n4 + 108.3$
 $M = (L3 + 9.9) / 12.5 + 1$
 Decimal fractions are truncated.
 $L1 = M \times 12.5 + 23$
 $L2 = L1 - 10.5$
 $L4 = (L1 - L3) / 2 + 1$

n1 = Number of SJ1000
 n2 = Number of SJ2000
 n3 = Number of SJ3000
 n4 = Number of SJ4000



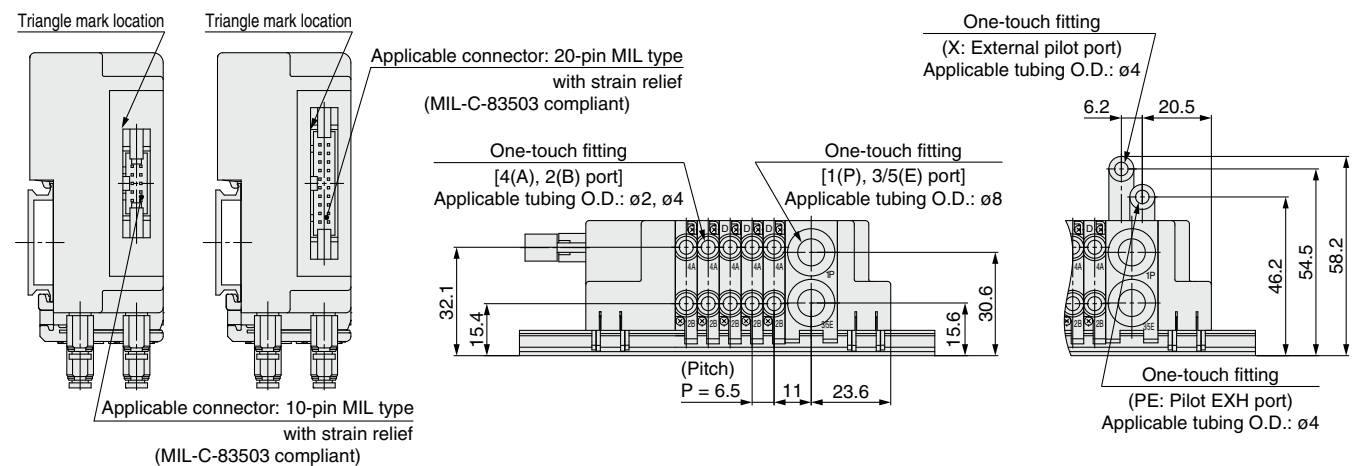
Dimensions: SJ1000 for Flat Ribbon Cable

SS5J1-60PD₂-Stations U(S, R, RS)



For 60PH (10 pins)

For 60PG (20 pins)



* Type 60PG and 60PH differ only in their connectors, and the L1 through L4 dimensions are the same as type 60P.

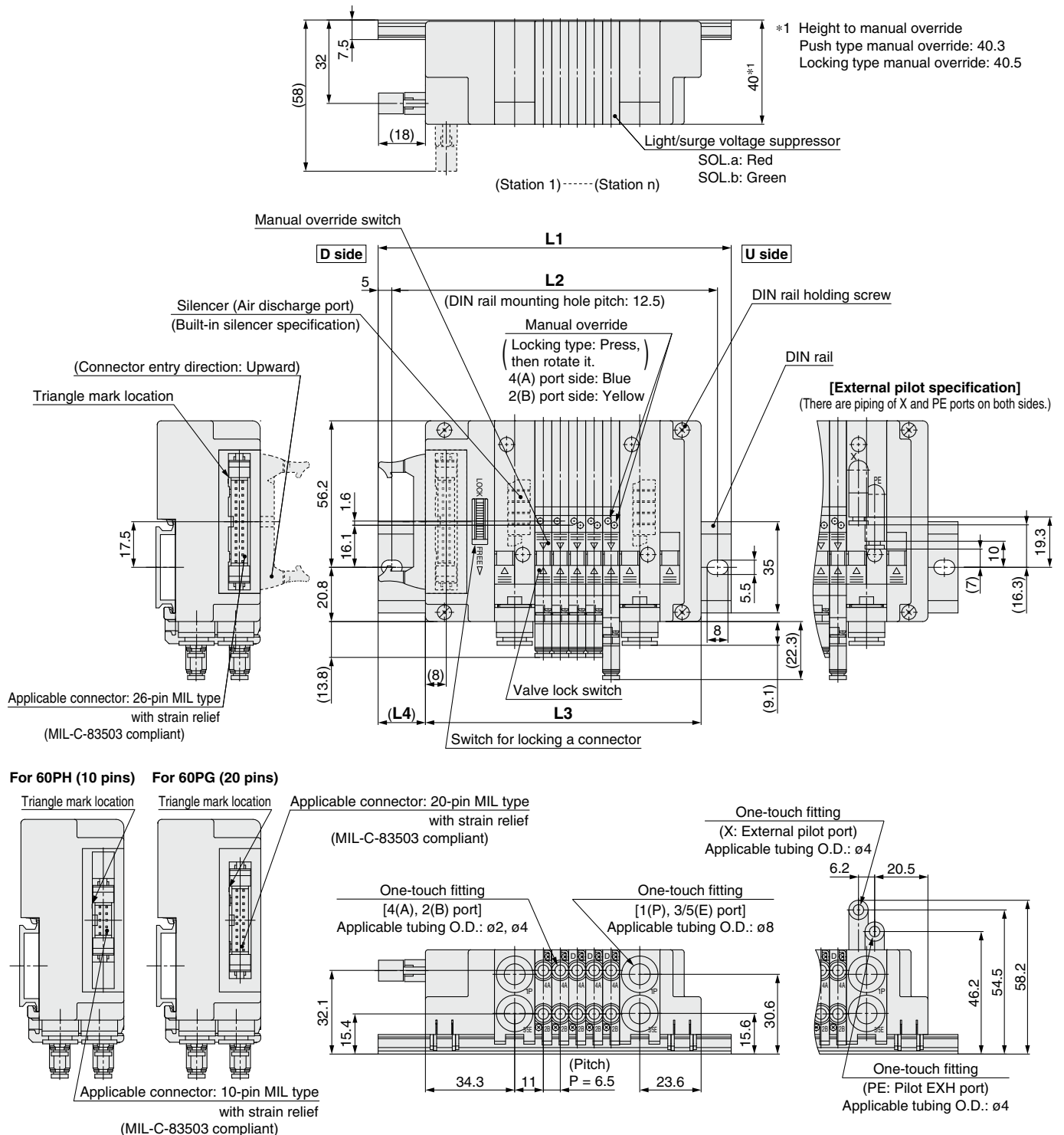
L: Dimensions

L	n: Stations																							
	1	2	3	4	5	6	7	8	9	10	11	12	13	14	15	16	17	18	19	20	21	22	23	24
L1	98	110.5	110.5	123	123	135.5	135.5	148	148	160.5	160.5	173	173	185.5	185.5	198	198	210.5	210.5	223	235.5	235.5	248	248
L2	87.5	100	100	112.5	112.5	125	125	137.5	137.5	150	150	162.5	162.5	175	175	187.5	187.5	200	200	212.5	225	225	237.5	237.5
L3	64.3	70.8	77.3	83.8	90.3	96.8	103.3	109.8	116.3	122.8	129.3	135.8	142.3	148.8	155.3	161.8	168.3	174.8	181.3	187.8	194.3	200.8	207.3	213.8
L4	20	23	20	23	19.5	22.5	19.5	22.5	19	22	19	22	18.5	21.5	18.5	21.5	18	21	24	21	24	20.5	23.5	20.5

SJ1000/2000/3000/4000 Series

Dimensions: SJ1000 for Flat Ribbon Cable

SS5J1-60PD₂-[Stations] B(S, R, RS)



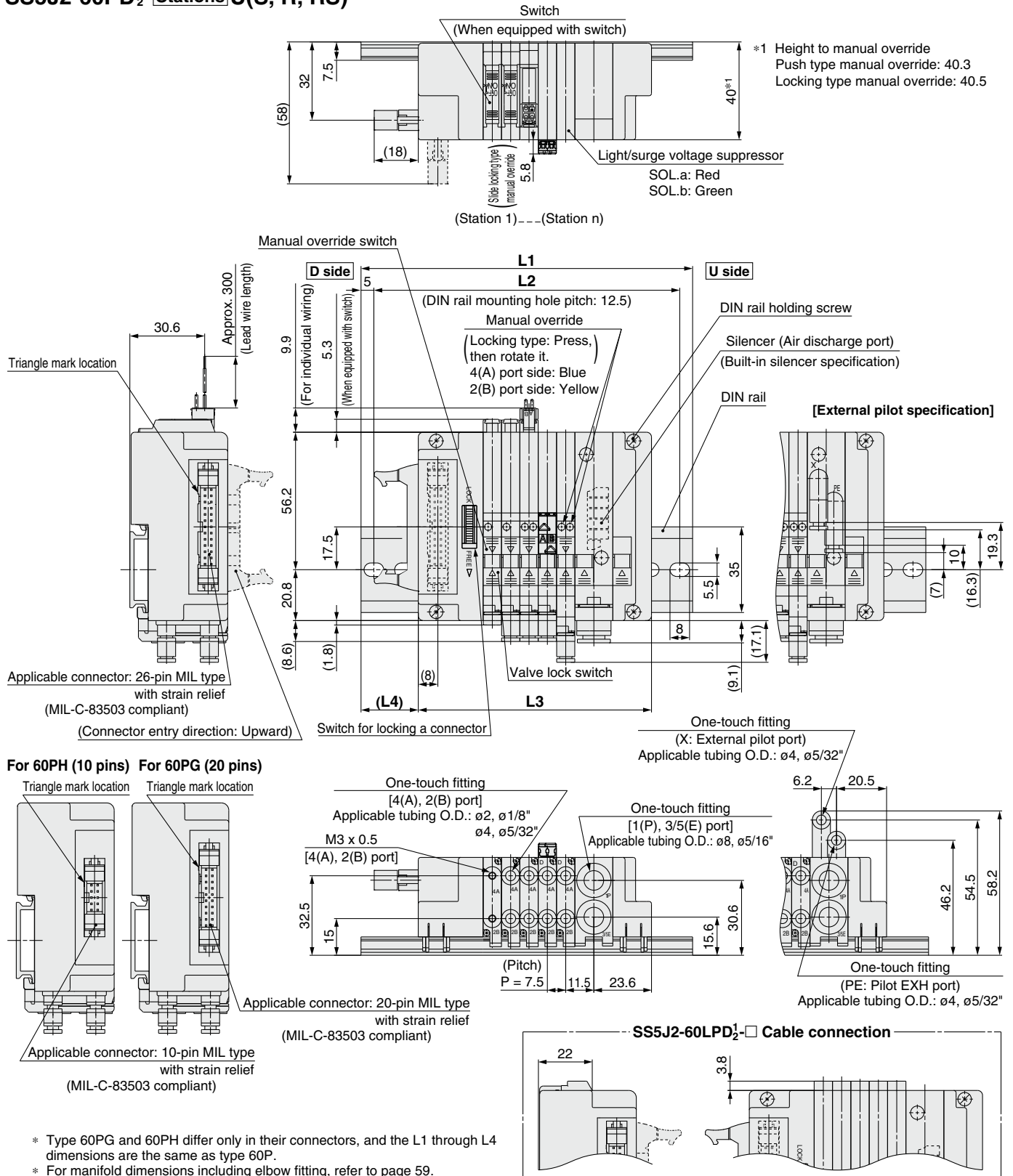
* Type 60PG and 60PH differ only in their connectors, and the L1 through L4 dimensions are the same as type 60P.

L: Dimensions

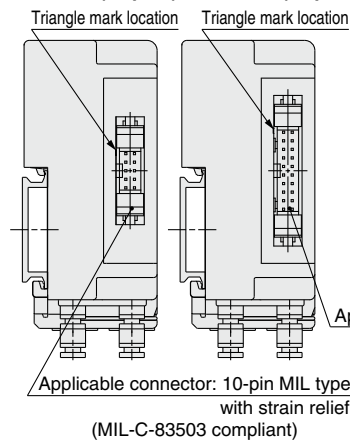
L \ n	n: Stations																							
	1	2	3	4	5	6	7	8	9	10	11	12	13	14	15	16	17	18	19	20	21	22	23	24
L1	110.5	123	123	135.5	135.5	148	148	160.5	173	173	185.5	185.5	198	198	210.5	210.5	223	223	235.5	235.5	248	248	260.5	260.5
L2	100	112.5	112.5	125	125	137.5	137.5	150	162.5	162.5	175	175	187.5	187.5	200	200	212.5	212.5	225	225	237.5	237.5	250	250
L3	79.8	86.3	92.8	99.3	105.8	112.3	118.8	125.3	131.8	138.3	144.8	151.3	157.8	164.3	170.8	177.3	183.8	190.3	196.8	203.3	209.8	216.3	222.8	229.3
L4	18.5	21.5	18.5	21.5	18	21	24	21	24	20.5	23.5	20.5	23.5	20	23	20	23	19.5	22.5	19.5	22.5	19	22	19

Dimensions: SJ2000 for Flat Ribbon Cable

SS5J2-60PD₂- Stations U(S, R, RS)



For 60PH (10 pins) For 60PG (20 pins)



* Type 60PG and 60PH differ only in their connectors, and the L1 through L4 dimensions are the same as type 60P.
* For manifold dimensions including elbow fitting, refer to page 59.

L: Dimensions

L	n: Stations																							
	1	2	3	4	5	6	7	8	9	10	11	12	13	14	15	16	17	18	19	20	21	22	23	24
L1	98	110.5	110.5	123	135.5	135.5	148	148	160.5	173	173	185.5	185.5	198	210.5	210.5	223	223	235.5	248	248	260.5	260.5	273
L2	87.5	100	100	112.5	125	125	137.5	137.5	150	162.5	162.5	175	175	187.5	200	200	212.5	212.5	225	237.5	237.5	250	250	262.5
L3	65.3	72.8	80.3	87.8	95.3	102.8	110.3	117.8	125.3	132.8	140.3	147.8	155.3	162.8	170.3	177.8	185.3	192.8	200.3	207.8	215.3	222.8	230.3	237.8
L4	19.5	22	18.5	21	23.5	19.5	22	18.5	21	23.5	19.5	22	18.5	21	23.5	19.5	22	18.5	21	23.5	19.5	22	18.5	21

SJ
1000
2000
3000
4000

Common
Specifications

Construction

Plug-in

D-sub
Flat Ribbon

EX180

EX510

Non
Plug-in

Individual
Wiring

Manifold
Options

Made to
Order

SJ3A6

Common Spec.
Construction

Plug-in

D-sub
Flat Ribbon
Serial

Non
Plug-in

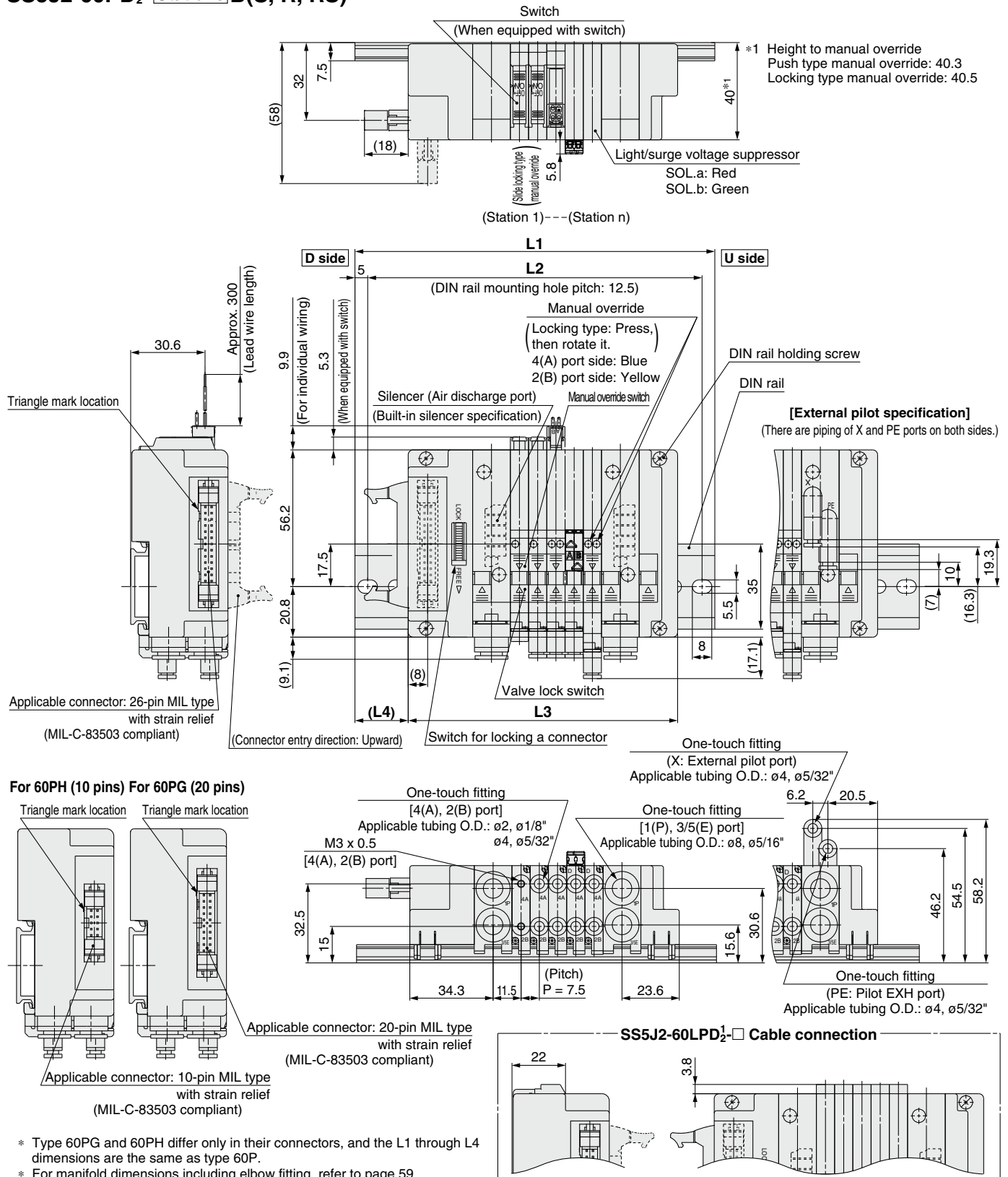
Individual
Wiring

Specific Product
Precautions

SJ1000/2000/3000/4000 Series

Dimensions: SJ2000 for Flat Ribbon Cable

SS5J2-60PD₁-[Stations B(S, R, RS)]

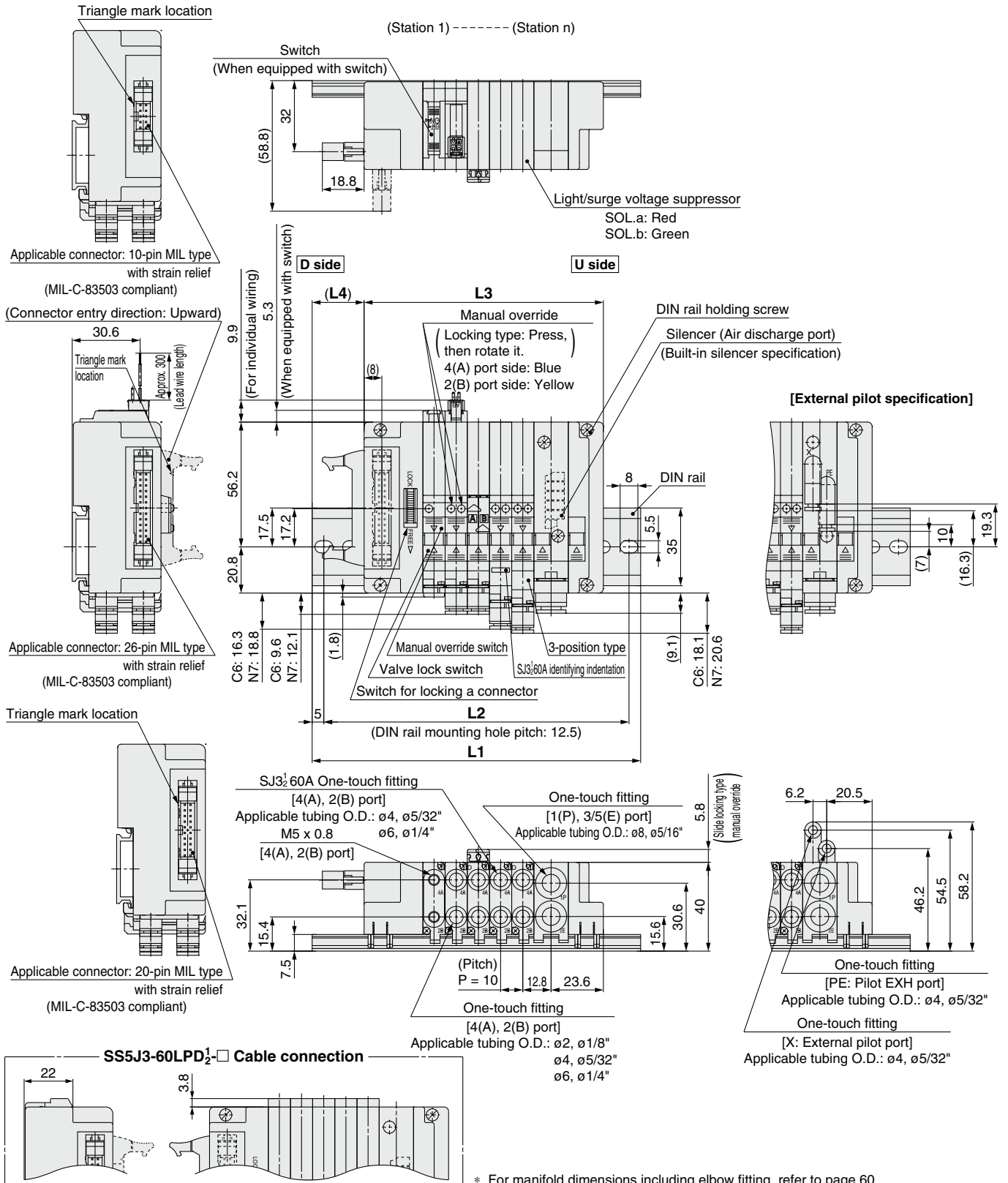


L: Dimensions

L \ n	n: Stations																							
	1	2	3	4	5	6	7	8	9	10	11	12	13	14	15	16	17	18	19	20	21	22	23	24
L1	110.5	123	135.5	135.5	148	148	160.5	173	173	185.5	185.5	198	210.5	210.5	223	223	235.5	248	248	260.5	260.5	273	285.5	285.5
L2	106	112.5	125	125	137.5	137.5	150	162.5	162.5	175	175	187.5	200	200	212.5	212.5	225	237.5	237.5	250	250	262.5	275	275
L3	80.8	88.3	95.8	103.3	110.8	118.3	125.8	133.3	140.8	148.3	155.8	163.3	170.8	178.3	185.8	193.3	200.8	208.3	215.8	223.3	230.8	238.3	245.8	253.3
L4	18	20.5	23	19.5	22	18	20.5	23	19.5	22	18	20.5	23	19.5	22	18	20.5	23	19.5	22	18	20.5	23	19.5

Dimensions: SJ3000(A) for Flat Ribbon Cable

SS5J3-60PD₁²-Stations U(S, R, RS)



* For manifold dimensions including elbow fitting, refer to page 60.

L: Dimensions

L	n	n: Stations																							
		1	2	3	4	5	6	7	8	9	10	11	12	13	14	15	16	17	18	19	20	21	22	23	24
L1		98	110.5	123	135.5	148	160.5	160.5	173	185.5	198	210.5	210.5	223	235.5	248	260.5	273	273	285.5	298	310.5	323	323	335.5
L2		87.5	100	112.5	125	137.5	150	150	162.5	175	187.5	200	200	212.5	225	237.5	250	262.5	262.5	275	287.5	300	312.5	312.5	325
L3		67.8	77.8	87.8	97.8	107.8	117.8	127.8	137.8	147.8	157.8	167.8	177.8	187.8	197.8	207.8	217.8	227.8	237.8	247.8	257.8	267.8	277.8	287.8	297.8
L4		18.5	19.5	20.5	22	23	24	19	20	21.5	22.5	23.5	18.5	19.5	21	22	23	24	19	20.5	21.5	22.5	23.5	18.5	20

SJ
1000
2000
3000
4000

Common Specifications

Construction

Plug-in

D-sub Flat Ribbon

EX180 EX510

Non Plug-in

Individual Wiring

Manifold Options

Made to Order

SJ3A6

Common Spec. Construction

Plug-in

D-sub Flat Ribbon Serial

Non Plug-in

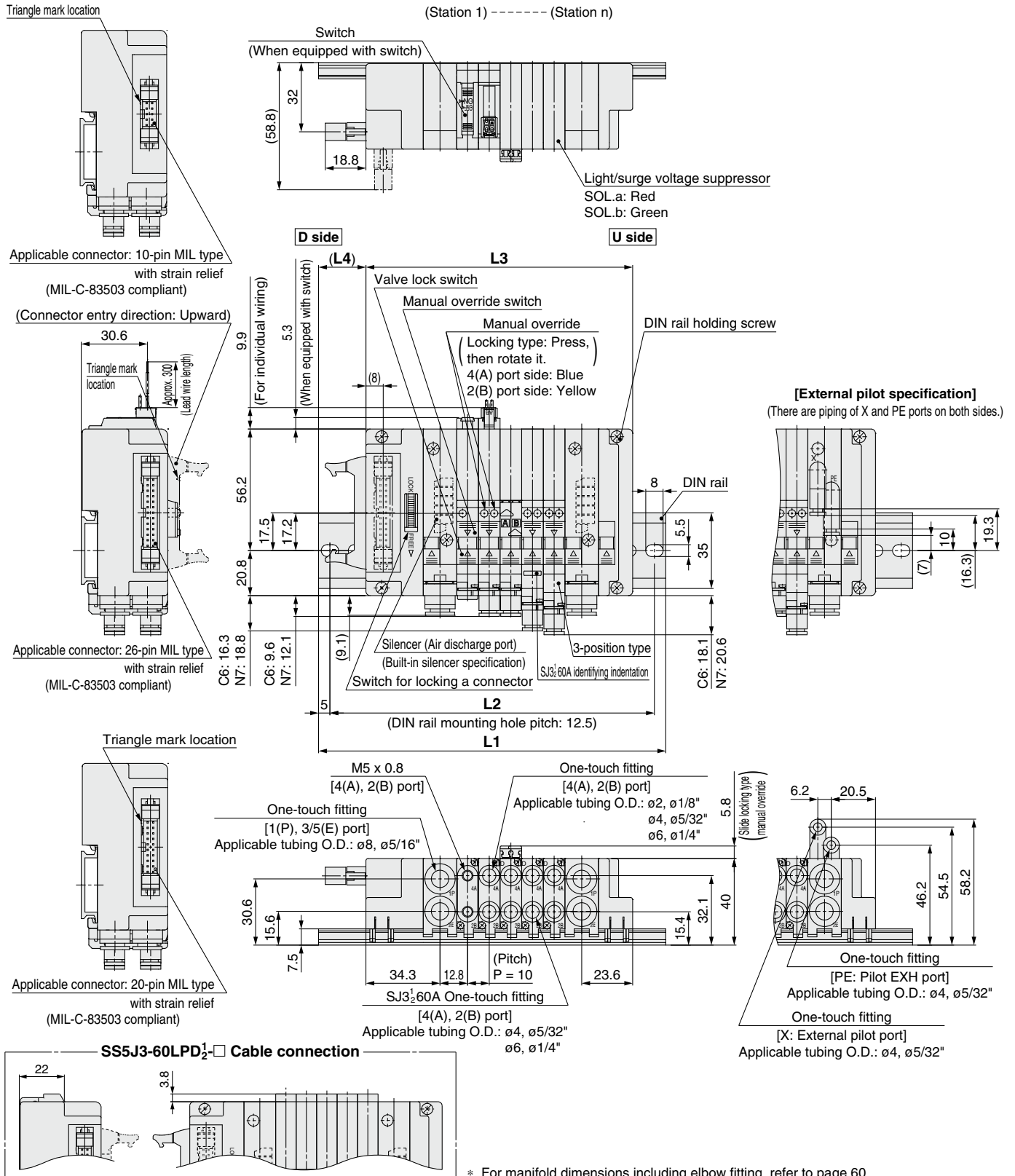
Individual Wiring

Specific Product Precautions

SJ1000/2000/3000/4000 Series

Dimensions: **SJ3000(A)** for Flat Ribbon Cable

SS5J3-60PD₂- Stations B(S, R, RS)



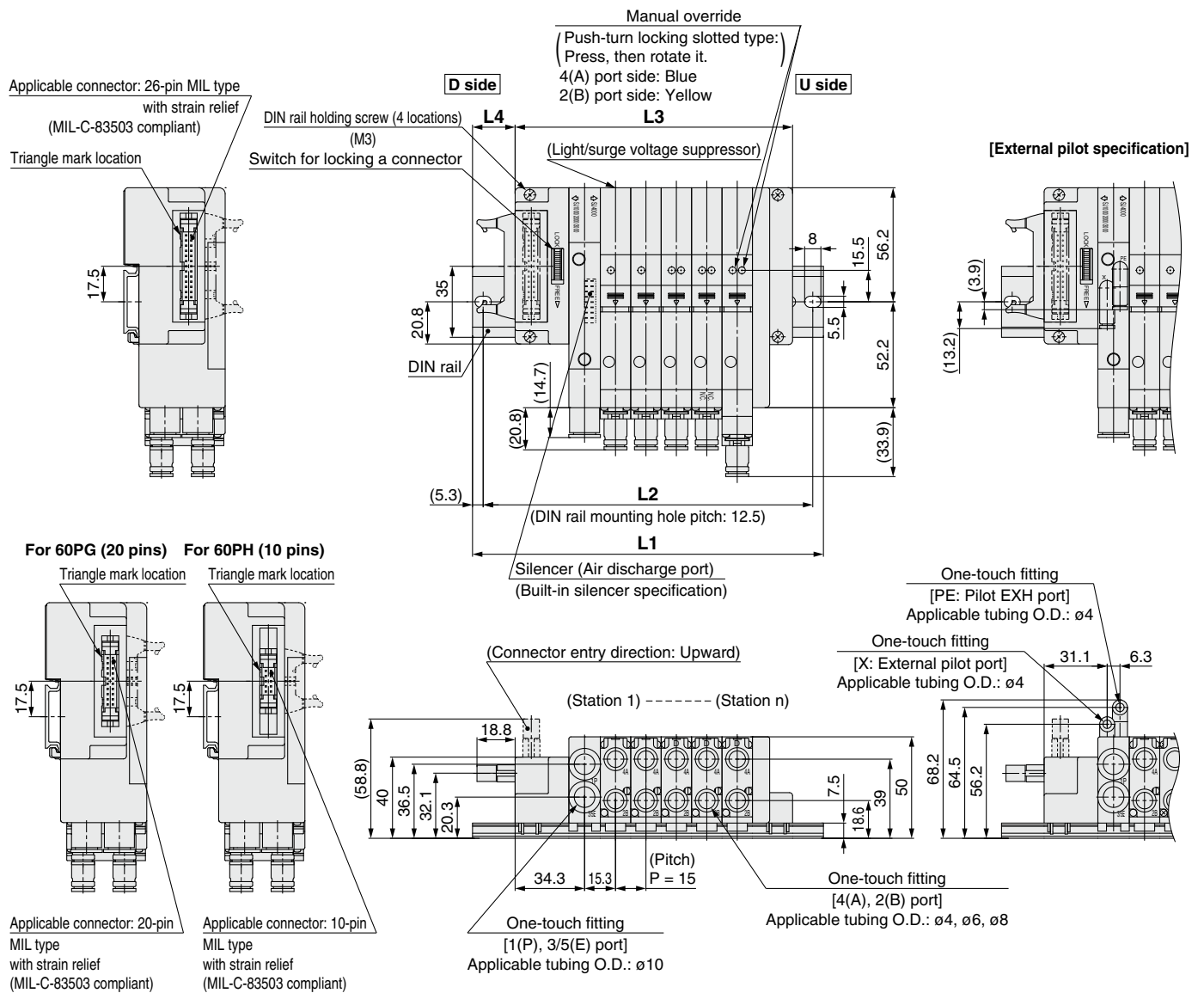
* For manifold dimensions including elbow fitting, refer to page 60.

L: Dimensions

L	n: Stations																							
	1	2	3	4	5	6	7	8	9	10	11	12	13	14	15	16	17	18	19	20	21	22	23	24
L1	123	135.5	135.5	148	160.5	173	185.5	185.5	198	210.5	223	235.5	248	248	260.5	273	285.5	298	298	310.5	323	335.5	348	348
L2	112.5	125	125	137.5	150	162.5	175	175	187.5	200	212.5	225	237.5	237.5	250	262.5	275	287.5	287.5	300	312.5	325	337.5	337.5
L3	83.3	93.3	103.3	113.3	123.3	133.3	143.3	153.3	163.3	173.3	183.3	193.3	203.3	213.3	223.3	233.3	243.3	253.3	263.3	273.3	283.3	293.3	303.3	313.3
L4	23	24	19	20.5	21.5	22.5	23.5	18.5	20	21	22	23	24.5	19.5	20.5	21.5	22.5	24	19	20	21	22	23.5	18.5

Dimensions: SJ4000 for Flat Ribbon Cable

SS5J4-60PD₁ - Stations D(S, R)



* Type 60PG and 60PH differ only in their connectors, and the L1 through L4 dimensions are the same as type 60P.

L: Dimensions

L \ n	n: Stations																							
	1	2	3	4	5	6	7	8	9	10	11	12	13	14	15	16	17	18	19	20	21	22	23	24
L1	110.5	123	148	160.5	173	185.5	198	223	235.5	248	260.5	273	298	310.5	323	335.5	348	373	385.5	398	410.5	423	448	460.5
L2	100	112.5	137.5	150	162.5	175	187.5	212.5	225	237.5	250	262.5	287.5	300	312.5	325	337.5	362.5	375	387.5	400	412.5	437.5	450
L3	76.8	91.8	106.8	121.8	136.8	151.8	166.8	181.8	196.8	211.8	226.8	241.8	256.8	271.8	286.8	301.8	316.8	331.8	346.8	361.8	376.8	391.8	406.8	421.8
L4	19.5	18	23	22	20.5	19.5	18	23	22	20.5	19.5	18	23	22	20.5	19.5	18	23	22	20.5	19.5	18	23	22

SJ
1000
2000
3000
4000

Common
Specifications

Construction

Plug-in

D-sub
Flat Ribbon

EX510 EX180

Non
Plug-in

Individual
Wiring

Manifold
Options

Made to
Order

SJ3A6

Common Spec.
Construction

Plug-in

D-sub
Flat Ribbon
Serial

Non
Plug-in

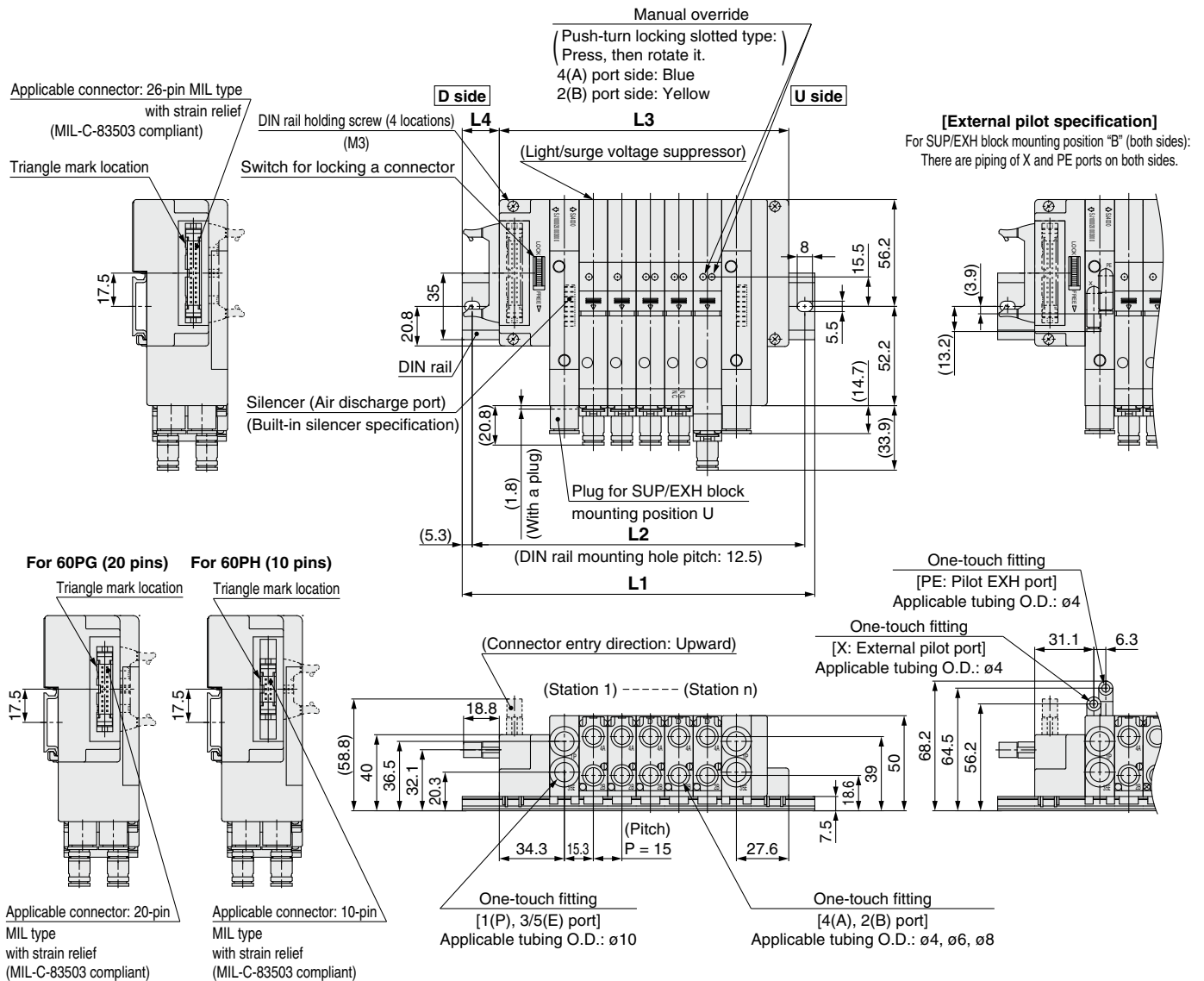
Individual
Wiring

Specific Product
Precautions

SJ1000/2000/3000/4000 Series

Dimensions: SJ4000 for Flat Ribbon Cable

SS5J4-60PD₂-Stations_B^U (S, R)



* Type 60PG and 60PH differ only in their connectors, and the L1 through L4 dimensions are the same as type 60P.

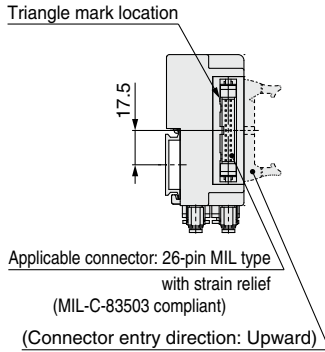
L: Dimensions

n: Stations

L \ n	1	2	3	4	5	6	7	8	9	10	11	12	13	14	15	16	17	18	19	20	21	22	23	24
L1	123	148	160.5	173	185.5	198	223	235.5	248	260.5	273	298	310.5	323	335.5	348	373	385.5	398	410.5	423	448	460.5	473
L2	112.5	137.5	150	162.5	175	187.5	212.5	225	237.5	250	262.5	287.5	300	312.5	325	337.5	362.5	375	387.5	400	412.5	437.5	450	462.5
L3	92.3	107.3	122.3	137.3	152.3	167.3	182.3	197.3	212.3	227.3	242.3	257.3	272.3	287.3	302.3	317.3	332.3	347.3	362.3	377.3	392.3	407.3	422.3	437.3
L4	18	23	21.5	20.5	19	18	23	21.5	20.5	19	18	23	21.5	20.5	19	18	23	21.5	20.5	19	18	23	21.5	20.5

Dimensions: SJ1000/2000/3000(A) Mixed Manifold

SS5J3-M60PD_{1/2}-Stations U(S, R, RS)

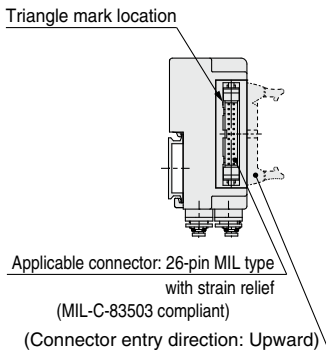


L dimension: Formula, L1 to L4
 $L3 = 6.5 \times n1 + 7.5 \times n2 + 10 \times n3 + 57.8$
 $M = (L3 + 10.6) / 12.5 + 1$
 Decimal fractions are truncated.
 $L1 = M \times 12.5 + 23$
 $L2 = L1 - 10.5$
 $L4 = (L1 - L3) / 2 + 1.3$

n1 = Number of SJ1000
 n2 = Number of SJ2000
 n3 = Number of SJ3000(A)

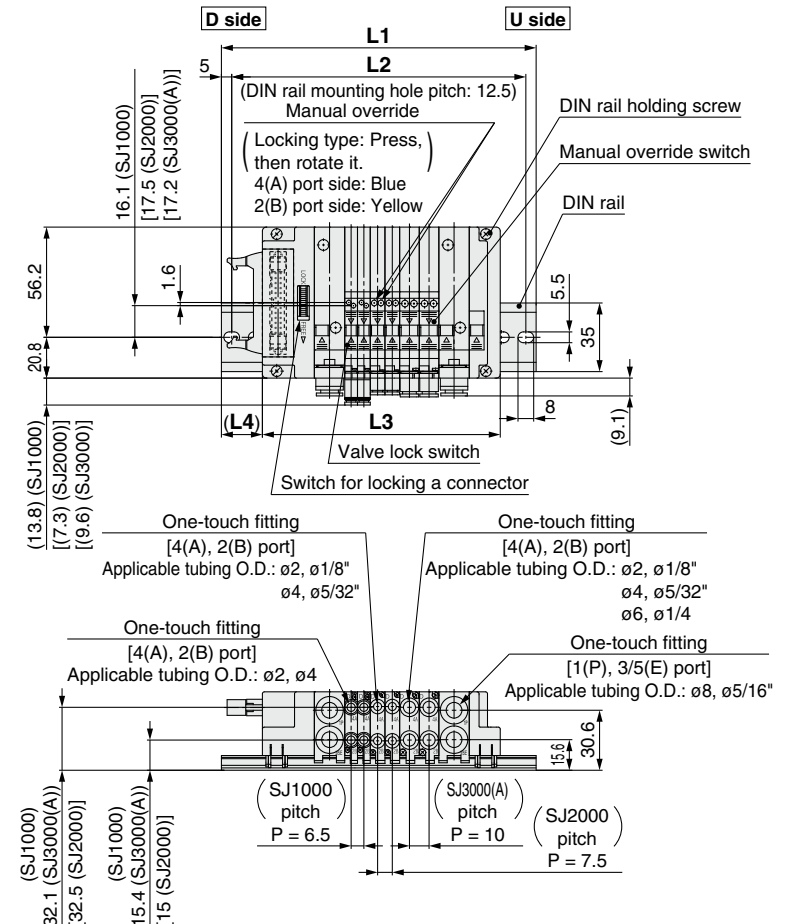
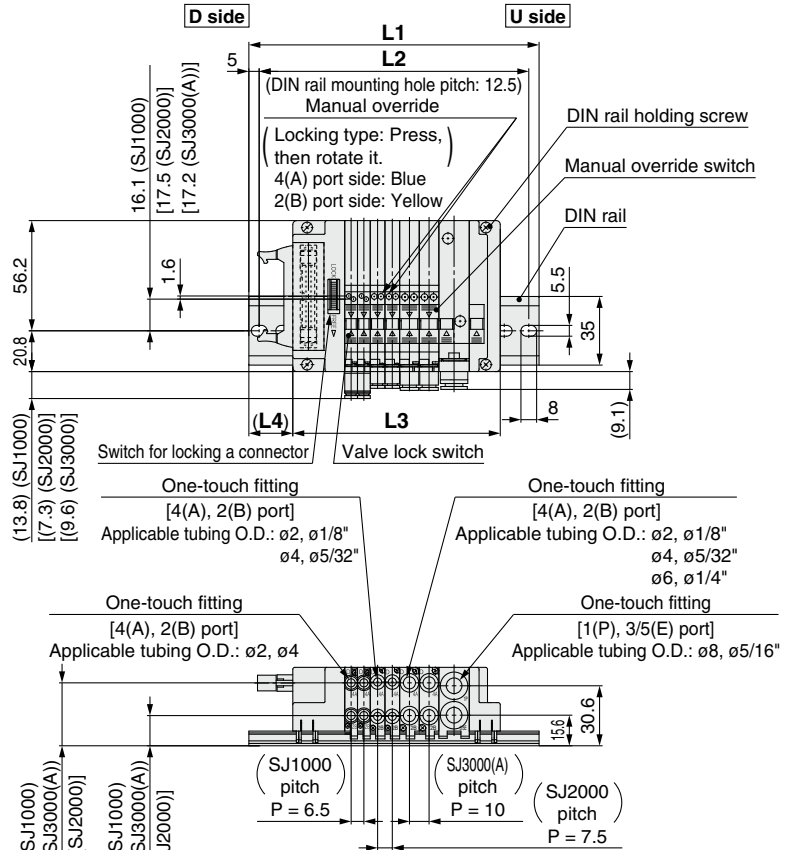
* The dimensions of L1 to L4 for **SS5J3-M60PD_{1/2}-Stations D** are the same as those of **SS5J3-M60PD_{1/2}-Stations U**.

SS5J3-M60PD_{1/2}-Stations B(S, R, RS)



L dimension: Formula, L1 to L4
 $L3 = 6.5 \times n1 + 7.5 \times n2 + 10 \times n3 + 73.3$
 $M = (L3 + 10.6) / 12.5 + 1$
 Decimal fractions are truncated.
 $L1 = M \times 12.5 + 23$
 $L2 = L1 - 10.5$
 $L4 = (L1 - L3) / 2 + 1.3$

n1 = Number of SJ1000
 n2 = Number of SJ2000
 n3 = Number of SJ3000(A)

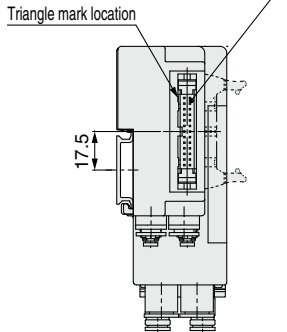


SJ1000/2000/3000/4000 Series

Dimensions: SJ1000/2000/3000/4000 Mixed Manifold

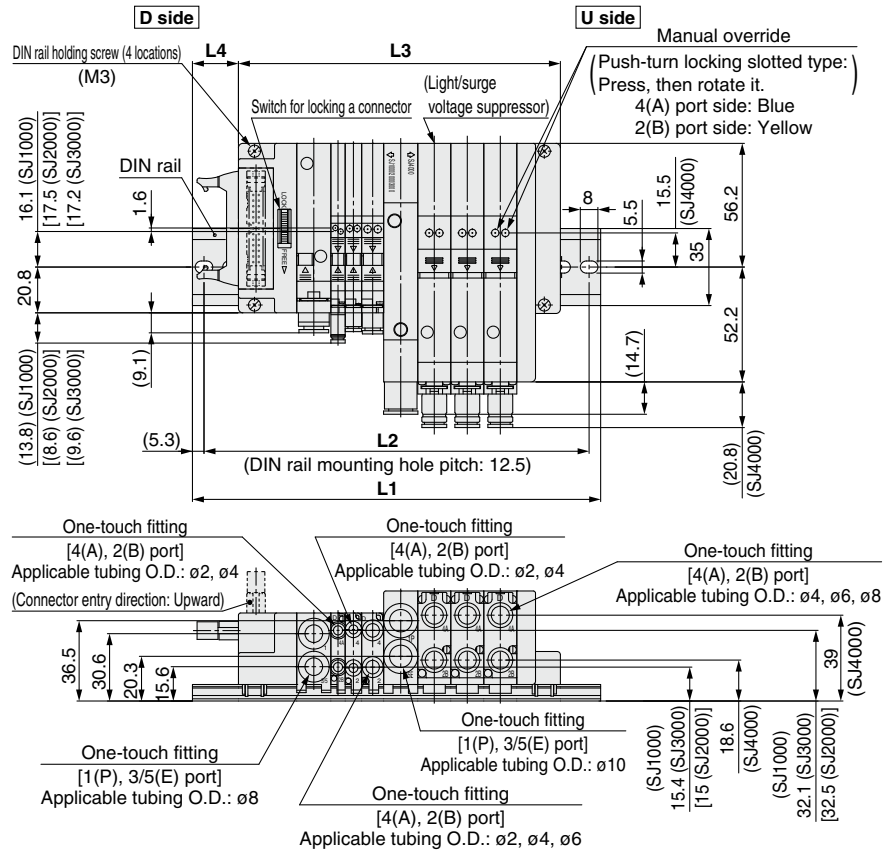
SS5J4-M60PD₂-Stations D(S, R)

Applicable connector: 26-pin MIL type
with strain relief
(MIL-C-83503 compliant)



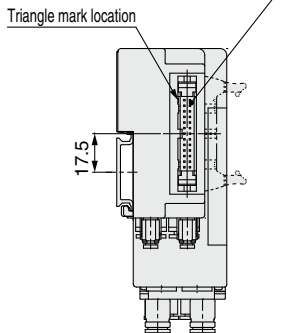
L dimension: Formula, L1 to L4
 $L3 = 6.5 \times n1 + 7.5 \times n2 + 10 \times n3 + 15 \times n4 + 77.3$
 $M = (L3 + 10.6) / 12.5 + 1$
 Decimal fractions are truncated.
 $L1 = M \times 12.5 + 23$
 $L2 = L1 - 10.5$
 $L4 = (L1 - L3) / 2 + 1.3$

n1 = Number of SJ1000
 n2 = Number of SJ2000
 n3 = Number of SJ3000
 n4 = Number of SJ4000



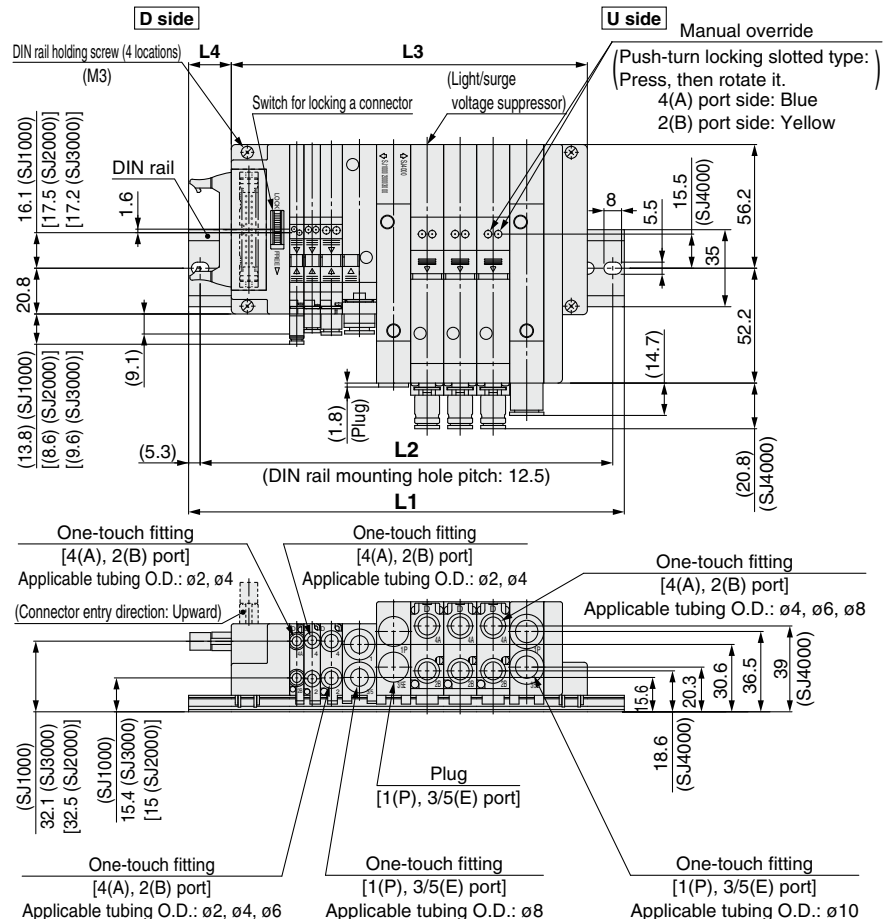
SS5J4-M60PD₂-Stations U(S, R)

Applicable connector: 26-pin MIL type
with strain relief
(MIL-C-83503 compliant)



L dimension: Formula, L1 to L4
 $L3 = 6.5 \times n1 + 7.5 \times n2 + 10 \times n3 + 15 \times n4 + 92.8$
 $M = (L3 + 10.6) / 12.5 + 1$
 Decimal fractions are truncated.
 $L1 = M \times 12.5 + 23$
 $L2 = L1 - 10.5$
 $L4 = (L1 - L3) / 2 + 1.3$

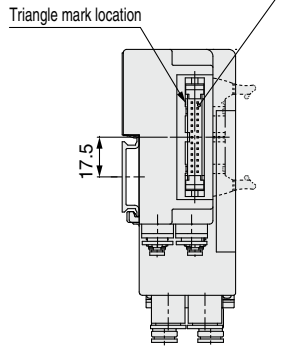
n1 = Number of SJ1000
 n2 = Number of SJ2000
 n3 = Number of SJ3000
 n4 = Number of SJ4000



Dimensions: SJ1000/2000/3000/4000 Mixed Manifold

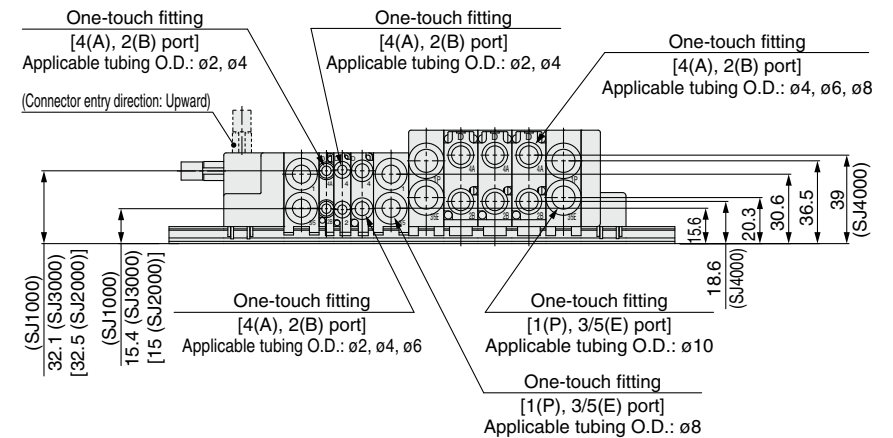
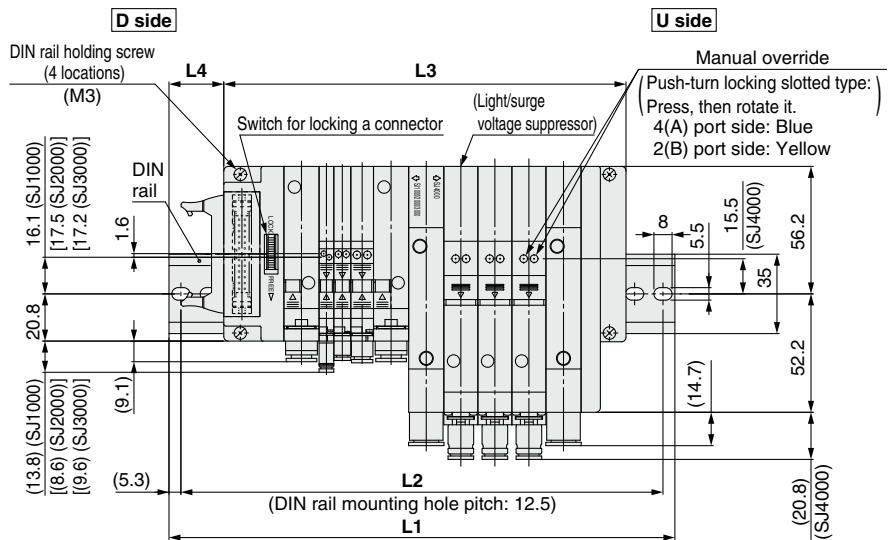
SS5J4-M60PD₂-Stations B(S, R)

Applicable connector: 26-pin MIL type
with strain relief
(MIL-C-83503 compliant)



L dimension: Formula, L1 to L4
 $L3 = 6.5 \times n1 + 7.5 \times n2 + 10 \times n3 + 15 \times n4 + 108.3$
 $M = (L3 + 10.6) / 12.5 + 1$
 Decimal fractions are truncated.
 $L1 = M \times 12.5 + 23$
 $L2 = L1 - 10.5$
 $L4 = (L1 - L3) / 2 + 1.3$

n1 = Number of SJ1000
 n2 = Number of SJ2000
 n3 = Number of SJ3000
 n4 = Number of SJ4000



SJ
1000
2000
3000
4000

Common
Specifications

Construction

Plug-in

D-sub
Flat Ribbon

EX510 EX180

Non
Plug-in

Individual
Wiring

Manifold
Options

Made to
Order

SJ3A6

Common Spec.
Construction

Plug-in

D-sub
Flat Ribbon
Serial

Non
Plug-in

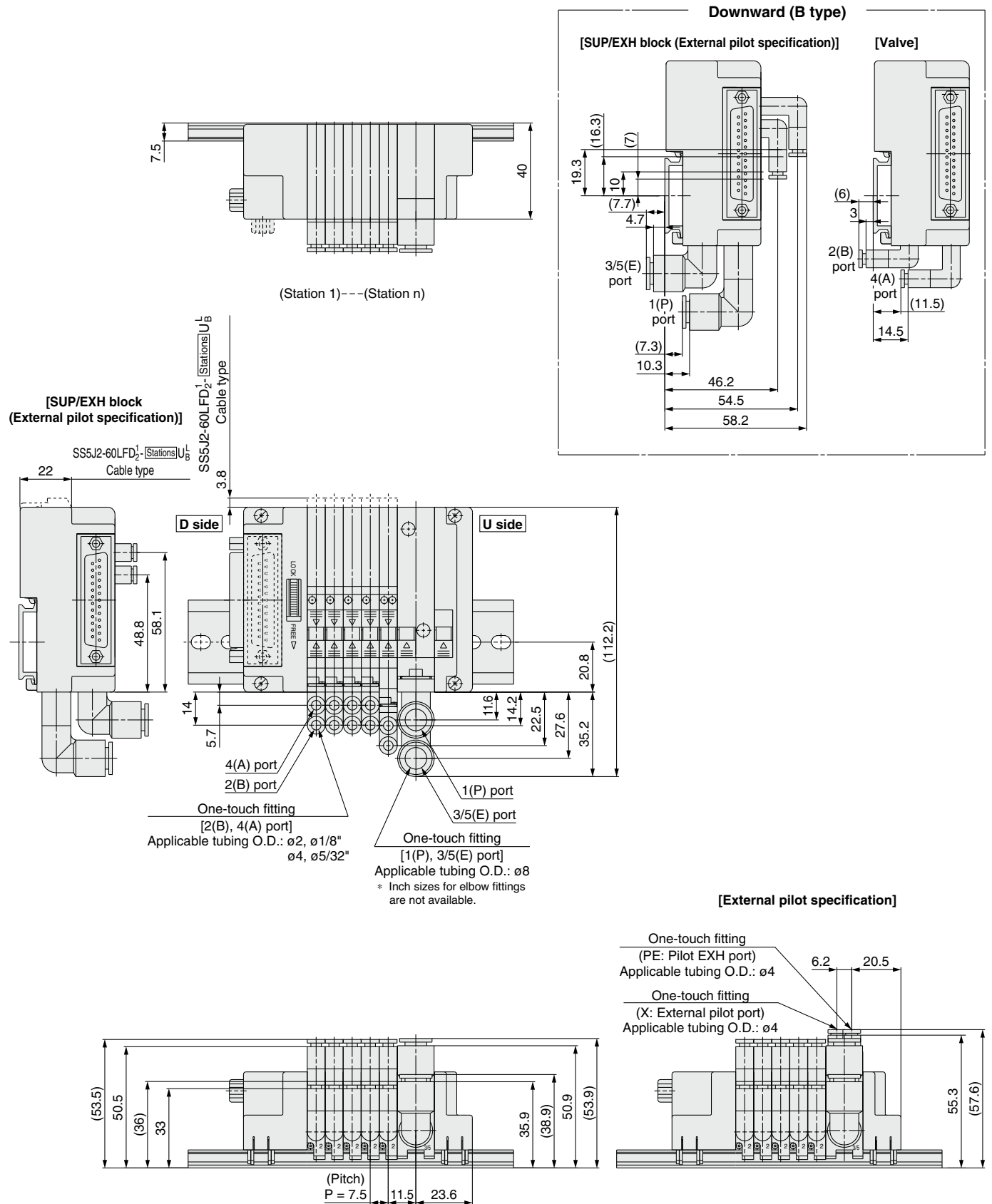
Individual
Wiring

Specific Product
Precautions

SJ1000/2000/3000/4000 Series

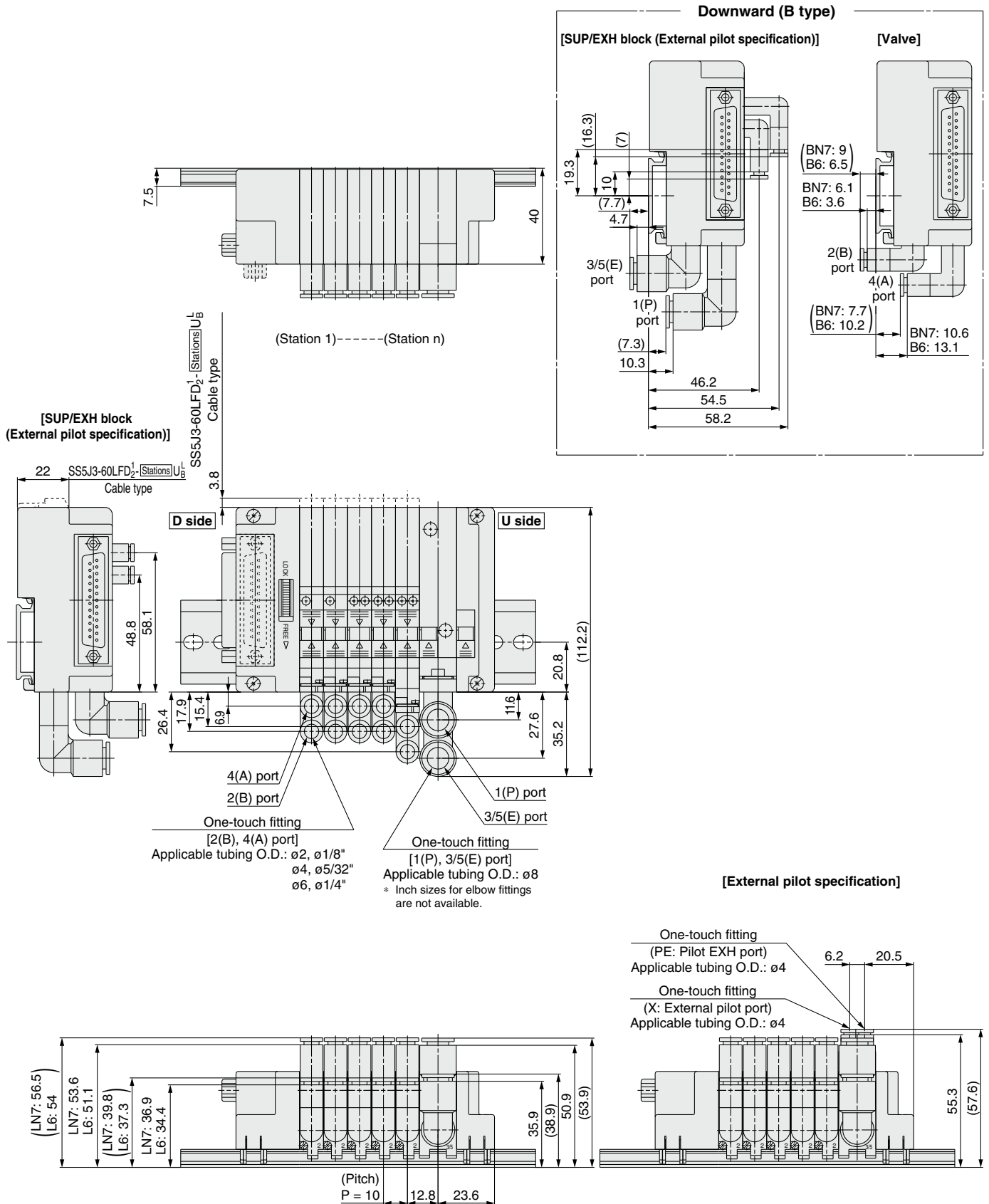
Dimensions: SJ2000 with Elbow Fittings

SS5J2-60FD₂¹-[Stations]U_B¹



Dimensions: SJ3000 with Elbow Fittings

SS5J3-60FD₂-[Stations]U_B



SJ
1000
2000
3000
4000

Common
Specifications

Construction

Plug-in

D-sub
Flat Ribbon

EX180 EX180

Non
Plug-in

Individual
Wiring

Manifold
Options

Made to
Order

SJ3A6

Common Spec.
Construction

Plug-in

D-sub
Flat Ribbon
Serial

Non
Plug-in

Individual
Wiring

Specific Product
Precautions

Plug-in Connector Type

EX180 Integrated Type

(For Output) Serial Transmission System

SJ1000/2000/3000 Series



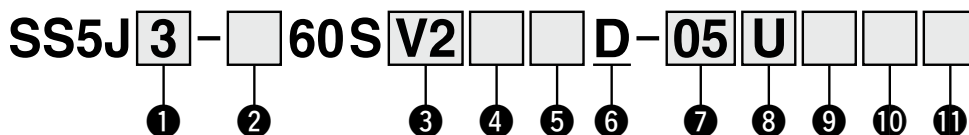
*1 SJ2000/3000 only

RoHS

Type 60S

An order cannot be placed with only the manifold part no. Be sure to order solenoid valves for mounting at the same time while referring to the ordering example.

How to Order



1 Series

1	SJ1000
2	SJ2000
3	SJ3000 (SJ1000/2000/ 3000 mixed ^{*1})

*1 Select "3" for the combination of SJ1000 and SJ2000 valves.

2 Mixed mounting type

Nil	Standard ^{*1}
M	Mixed mounting ^{*2}

*1 For SJ1000, 2000, and 3000 series valves, select "Nil" when only using a single series.

*2 Select "M" when SJ1000, SJ2000, or SJ3000 series valves will be mounted on the same manifold base together.

3 Component module

0	Without SI unit
V2	CC-Link (32 points)
Q2	DeviceNet [®] (32 points)
Q3	DeviceNet [®] (16 points)

* Please contact SMC for SI unit specifications.

4 Communication connector

Nil	T-branch type
A	Straight type

* The communication connector and power connector are shipped together with the manifold. The power connector is only available for the straight type.

5 SI unit common specification

Nil	Positive common
N	Negative common

6 Unit mounting position

D	D side
---	--------

7 Valve stations

Symbol	Stations	Note
01	1 station	Up to 32 solenoids can be selected.
⋮	⋮	
32	32 stations	

* This number also includes the blanking block. Since single and double wiring are available for the blanking block, select a model compatible with the valve wiring specification to be used. (Refer to page 105.)

8 SUP/EXH block mounting position

U	U side
D	D side
B	Both sides
M ^{*1}	Special specifications

*1 Specify the required specifications (including port sizes other than ø8) on the manifold specification sheet.

9 Pilot type

Nil	Internal pilot
S	Internal pilot, Built-in silencer
R	External pilot
RS	External pilot, Built-in silencer

* There is no need to enter anything when the SUP/EXH block mounting position "M" is selected.

* The 3/5(E) port is plugged for the built-in silencer type.

10 SUP/EXH block fitting specification

Nil	Straight fitting With external pilot spec. X, PE port: Elbow fitting	
L	Elbow fitting (Upward) With external pilot spec. X, PE port: Straight fitting	
B	Elbow fitting (Downward) With external pilot spec. X, PE port: Elbow fitting	

* There is no need to enter anything when the SUP/EXH block mounting position "M" is selected.

11 DIN rail length specified

Nil	Standard length
2	2 stations
⋮	⋮
32	32 stations

* Specify the number of valve stations without exceeding the max. number of stations.

How to Order Manifold Assembly

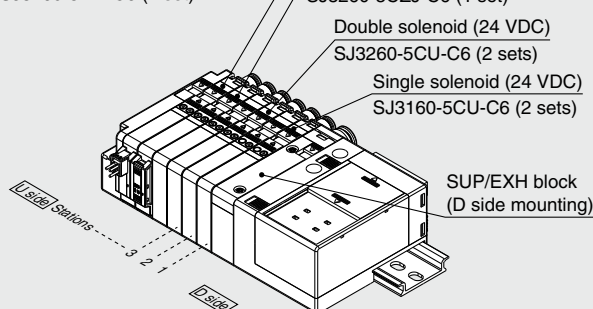
Ordering example (SS5J3-60SV2□-□)

Double solenoid, individual wiring/
lead wire length 300 mm (24 VDC)
SJ3260-5MZ-C6 (1 set)

Double solenoid, with switch (24 VDC)
SJ3260-5CZJ-C6 (1 set)

Double solenoid (24 VDC)
SJ3260-5CU-C6 (2 sets)

Single solenoid (24 VDC)
SJ3160-5CU-C6 (2 sets)



SS5J3-60SV2D-06D 1 set (Manifold part no.)
* SJ3160-5CU-C6 2 sets (Single solenoid part no.)
* SJ3260-5CU-C6 2 sets (Double solenoid part no.)
* SJ3260-5CZJ-C6 1 set (Double solenoid, with switch part no.)
* SJ3260-5MZ-C6 1 set (Double solenoid, individual wiring/
lead wire length 300 mm part no.)

→The asterisk denotes the symbol for the assembly.
Prefix it to the part numbers of the solenoid valve, etc.

- For the valve arrangement, the valve closest to the D side is considered the 1st station.
- Under the manifold part number, state the valves to be mounted in order starting with the 1st station as shown in the figure. If the arrangement becomes too complicated, specify the details on a manifold specification sheet.
- When ordering a manifold, specify the part nos. of the valves to be mounted on it. (An order cannot be placed with only the manifold part no.)

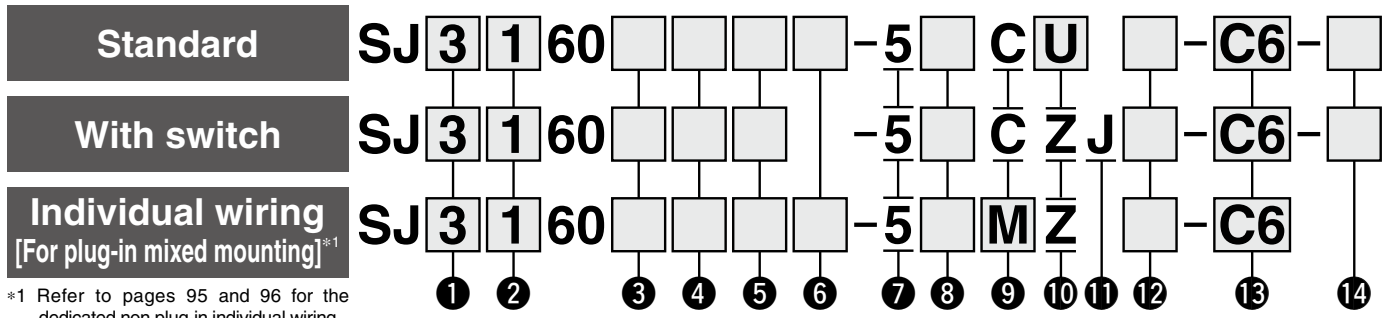
SI Unit Part Nos.

Symbol	Component module/Communication connector	Common specification	SI unit part no.
V2	CC-Link (32 points)	NPN output (Positive common)	EX180-SMJ3
V2N	T-branch type	PNP output (Negative common)	EX180-SMJ5
V2A	CC-Link (32 points)	NPN output (Positive common)	EX180-SMJ3A
V2AN	Straight type	PNP output (Negative common)	EX180-SMJ5A
Q2	DeviceNet [®] (32 points)	NPN output (Positive common)	EX180-SDN3
Q2N	T-branch type	PNP output (Negative common)	EX180-SDN5
Q2A	DeviceNet [®] (32 points)	NPN output (Positive common)	EX180-SDN3A
Q2AN	Straight type	PNP output (Negative common)	EX180-SDN5A
Q3	DeviceNet [®] (16 points)	NPN output (Positive common)	EX180-SDN4
Q3N	T-branch type	PNP output (Negative common)	EX180-SDN6
Q3A	DeviceNet [®] (16 points)	NPN output (Positive common)	EX180-SDN4A
Q3AN	Straight type	PNP output (Negative common)	EX180-SDN6A

Item	Specification
Power source for driving valve	Non-polar 24 VDC +10%/-5%
	With power-saving circuit (Continuous duty) 24 VDC +10%/0%

For details on the EX180 Integrated Type (For Output) Serial Transmission System, refer to the Web Catalog and the Operation Manual. Please download the Operation Manual via the SMC website: <https://www.smcworld.com>

How to Order Solenoid Valves



*1 Refer to pages 95 and 96 for the dedicated non plug-in individual wiring.

1 Series

1	SJ1000
2	SJ2000
3	SJ3000

2 Type of actuation

1	2-position single solenoid
2	2-position double solenoid
3	3-position closed center
4	3-position exhaust center
5	3-position pressure center

* Refer to pages 18 to 21 for the symbol.
 * Large flow rate "A" is available only for actuation types "1" and "2".

A	Dual 3-port valve: N.C./N.C.
B	Dual 3-port valve: N.O./N.O.
C	Dual 3-port valve: N.C./N.O.

6 Coil type

Symbol	Coil type	SJ1000	SJ2000	SJ3000(A)
Nil	Standard	—	●	●
T	With power-saving circuit (Continuous duty type)	●	●	●

* Be sure to select the power-saving circuit type if the valve is to be continuously energized for long periods of time.
 * For the SJ1000 series, only the power-saving circuit type is available.

3

Nil	Standard flow type
A*1	Large flow type

*1 SJ3000 series only

4 Pilot type

Nil	Internal pilot
R	External pilot

* External pilot specification is not applicable for 4-position dual 3-port valves.

5 Back pressure check valve

Nil	None
K	Built-in

* 3-position and large flow rate "A" solenoid valves are not provided with a back pressure check valve.

7 Rated voltage

5	24 VDC
---	--------

8 Common specification

Nil	Positive common
N	Negative common

* For the non-polar type, there is no need to select a symbol.
 * When the standard valve and valve with a switch are used, select a common specification that matches the SI unit common specification.

9 Connector entry

Symbol	C: Dedicated for centralized wiring	M: Individual wiring, With lead wire Length 300 mm	MN: Individual wiring, Without lead wire (With connector, socket)	MO: Individual wiring, Without connector
	With linkage-printed circuit board	With linkage-printed circuit board	With linkage-printed circuit board	With linkage-printed circuit board
SJ1000	●	—	—	—
SJ2000	●	●	●	●
SJ3000	●	●	●	●

* Connector entries with the symbol "M□" cannot use the switch signal from the common wiring on the manifold. For details, refer to the "Connector Wiring Diagram" on page 17.
 * When ordering a connector separately, refer to pages 144 and 145.

12 Manual override

Symbol/Specification	SJ1000	SJ2000	SJ3000(A)
Nil: Non-locking push type	●	●	●
D: Push-turn locking slotted type	●	●	●
F: Slide locking type	—	●	●

13 A, B port size

Metric/One-touch fitting						
Symbol	A, B port	SJ1000	SJ2000	SJ3000	SJ3000A	
C2	Straight	●	●	●	—	
C4		●	●	●	●	
C6		—	—	●	●	
L2	Upward entry	—	●	●	—	
L4		—	●	●	●	
L6		—	—	●	●	
B2	Downward entry	—	●	●	—	
B4		—	●	●	●	
B6		—	—	●	●	

Thread piping

Symbol	A, B port	SJ1000	SJ2000	SJ3000	SJ3000A	
M3	M3 x 0.5	—	●	—	—	
M5	M5 x 0.8	—	—	●	●	

10 Light/surge voltage suppressor

Symbol	Specification	SJ1000	SJ2000	SJ3000(A)
U	With light/surge voltage suppressor (Non-polar type)	—	●	●
Z	With light/surge voltage suppressor (Polar type)	●	●	●

* When the types with power-saving circuit, with switches, and individual wiring are used, the non-polar type cannot be selected.
 * Select "CU" or "CZ" for the valve when the SI unit output polarity is Nil (positive common). Select "CU" or "NCZ" for the valve when the SI unit output polarity is N (negative common).

11 With switch

	SJ1000	SJ2000	SJ3000(A)
	—	●	●

Inch/One-touch fitting

Symbol	A, B port	SJ1000	SJ2000	SJ3000	SJ3000A	
N1	Straight	—	●	●	—	
N3		—	●	●	●	
N7		—	—	●	●	
LN1	Upward entry	—	●	●	—	
LN3		—	●	●	●	
LN7		—	—	●	●	
BN1	Downward entry	—	●	●	—	
BN3		—	●	●	●	
BN7		—	—	●	●	

14 Single solenoid wiring specification

Nil	Single wiring
D	Double wiring

* There is no need to enter anything for 2-position double, 3-position, and 4-position solenoid valves. Select this when the unused numbers to wiring are set. Refer to page 17 for details.

Protective class class III (Mark:)

SJ
1000
2000
3000
4000

Common Specifications

Construction

Plug-in

D-sub Flat Ribbon

EX180

EX510

Non Plug-in

Individual Wiring

Manifold Options

Made to Order

SJ3A6

Common Spec. Construction

Plug-in

D-sub Flat Ribbon Serial

Non Plug-in

Individual Wiring

Specific Product Precautions

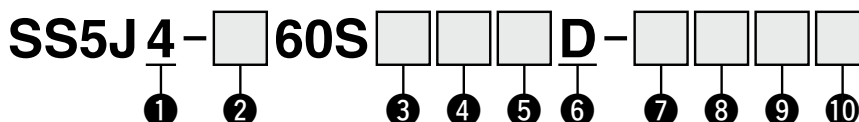
Plug-in Connector Type EX180 Integrated Type (For Output) Serial Transmission System **SJ4000 Series**



Type **60S** □

An order cannot be placed with only the manifold part no. Be sure to order solenoid valves for mounting at the same time while referring to the ordering example.

How to Order



1 Series

4	SJ4000
---	--------

2 Mixed mounting type

Nil	Standard (Dedicated for the SJ4000)
M	Mixed mounting

- * Select "Nil" when only using a single series.
- * Select "M" when SJ1000, SJ2000, or SJ3000 series valves will be mounted on the same manifold base together.

3 Component module

0	Without SI unit
V2	CC-Link (32 points)
Q2	DeviceNet® (32 points)
Q3	DeviceNet® (16 points)

- * Please contact SMC for SI unit specifications.

4 Communication connector

Nil	T-branch type
A	Straight type

- * The communication connector and power connector are shipped together with the manifold. The power connector is only available for the straight type.

5 SI unit common specification

Nil	Positive common
N	Negative common

6 Unit mounting position

D	D side
---	--------

7 Valve stations

Symbol	Stations	Note
01	1 station	Up to 32 solenoids can be selected.
⋮	⋮	
32	32 stations	

- * This number also includes the blanking block. Since single and double wiring are available for the blanking block, select a model compatible with the valve wiring specification to be used. (Refer to page 105.)

8 SUP/EXH block mounting position

U	U side
D	D side
B	Both sides
M	Special specifications

- * Special specifications (including instructions for port sizes other than ø10 of the standard SUP/EXH block) must be specified separately in manifold specifications sheet.
- * For 11 or more valve stations, "B" (both sides) is recommended.

9 Pilot type

Nil	Internal pilot
S	Internal pilot, Built-in silencer
R	External pilot

- * There is no need to enter anything when the SUP/EXH block mounting position "M" is selected.
- * The 3/5(E) port is plugged for the built-in silencer type (S).
- * SJ4000 does not have the external pilot and built-in silencer (RS) type.

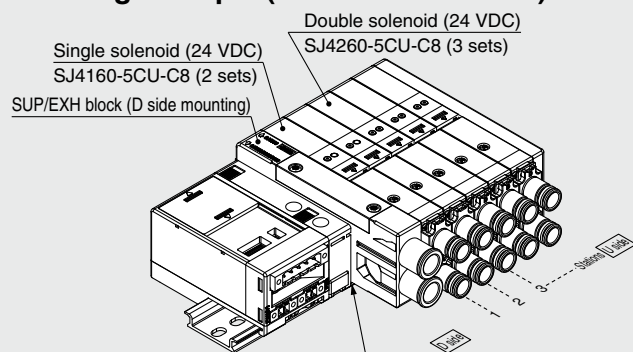
10 DIN rail length specified

Symbol	Stations	Note
Nil	Standard length	Specify a length longer than that of the standard rail.
2	2 stations	
⋮	⋮	
32	32 stations	

- * Specify the number of valve stations without exceeding the max. number of stations.

How to Order Manifold Assembly

Ordering example (SS5J4-60SV2□-□)



- * For mixed mounting (M), SJ1000/2000/3000(A) is mounted here.

SS5J4-60SV2D-05D 1 set (Manifold part no.)
 * SJ4160-5CU-C8 2 sets (Single solenoid part no.)
 * SJ4260-5CU-C8 3 sets (Double solenoid part no.)

→ The asterisk denotes the symbol for the assembly. Prefix it to the part numbers of the solenoid valve, etc.

- For the valve arrangement, the valve closest to the D side is considered the 1st station.
- Under the manifold part number, state the valves to be mounted in order starting with the 1st station as shown in the figure. If the arrangement becomes too complicated, specify the details on a manifold specification sheet.
- * When ordering a manifold, specify the part nos. of the valves to be mounted on it. (An order cannot be placed with only the manifold part no.)

- * When SJ4000 and SJ1000/2000/3000 are mixed mounting (M), SJ1000/2000/3000 valves are mounted on the D side of SJ4000 D side SUP/EXH block.
- * SJ4000 series does not have an elbow One-touch fitting.

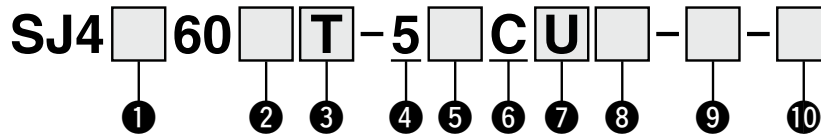
SI Unit Part Nos.

Symbol	Component module/Communication connector	Common specification	SI unit part no.
V2	CC-Link (32 points)	NPN output (Positive common)	EX180-SMJ3
V2N	T-branch type	PNP output (Negative common)	EX180-SMJ5
V2A	CC-Link (32 points)	NPN output (Positive common)	EX180-SMJ3A
V2AN	Straight type	PNP output (Negative common)	EX180-SMJ5A
Q2	DeviceNet® (32 points)	NPN output (Positive common)	EX180-SDN3
Q2N	T-branch type	PNP output (Negative common)	EX180-SDN5
Q2A	DeviceNet® (32 points)	NPN output (Positive common)	EX180-SDN3A
Q2AN	Straight type	PNP output (Negative common)	EX180-SDN5A
Q3	DeviceNet® (16 points)	NPN output (Positive common)	EX180-SDN4
Q3N	T-branch type	PNP output (Negative common)	EX180-SDN6
Q3A	DeviceNet® (16 points)	NPN output (Positive common)	EX180-SDN4A
Q3AN	Straight type	PNP output (Negative common)	EX180-SDN6A

Item		Specification
Power source for driving valve	Non-polar	24 VDC +10%/-5%
	With power-saving circuit (Continuous duty)	24 VDC +10%/0%

For details on the EX180 Integrated Type (For Output) Serial Transmission System, refer to the **Web Catalog** and the **Operation Manual**. Please download the **Operation Manual** via the SMC website: <https://www.smcworld.com>

How to Order Solenoid Valves



1 Type of actuation

1	2-position single solenoid
2	2-position double solenoid
3	3-position closed center
4	3-position exhaust center
5	3-position pressure center
A	Dual 3-port valve: N.C./N.C.
B	Dual 3-port valve: N.O./N.O.
C	Dual 3-port valve: N.C./N.O.

* Refer to pages 22 and 23 for the symbol.

2 Pilot type

Nil	Internal pilot
R	External pilot

* External pilot specification is not applicable for 4-position dual 3-port valves.

3 Coil type

Nil	Standard
T	With power-saving circuit (Continuous duty type)

* Be sure to select the power-saving circuit type if the valve is to be continuously energized for long periods of time.

4 Rated voltage

5	24 VDC
----------	--------

* 12 VDC is not available for the SJ4000.

5 Common specification

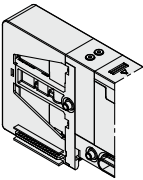
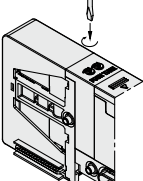
Nil	Positive common
N	Negative common

* For the non-polar type, there is no need to select a symbol.

6 Connector entry

C	Dedicated for centralized wiring
----------	----------------------------------

8 Manual override

Nil	Non-locking push type	
	Push-turn locking slotted type	

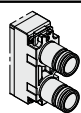
7 Light/surge voltage suppressor

U	With light/surge voltage suppressor (Non-polar type)
Z	With light/surge voltage suppressor (Polar type)

* When the type with power-saving circuit is used, the non-polar type cannot be selected.

9 A, B port size

Metric/One-touch fitting

C6	Straight	ø6	
		ø8	

10 Single solenoid wiring specification

Nil	Single wiring
D	Double wiring

* There is no need to enter anything for 2-position double, 3-position, and 4-position solenoid valves.

* SJ4000 series is not equipped with a back pressure check valve.
 * SJ4000 series does not have a One-touch fitting for A, B port elbow.

SJ
1000
2000
3000
4000

Common
Specifications

Construction

Plug-in

D-sub
Flat Ribbon

EX180

EX510

Non
Plug-in

Individual
Wiring

Manifold
Options

Made to
Order

SJ3A6

Common Spec.
Construction

Plug-in

D-sub
Flat Ribbon
Serial

Non
Plug-in

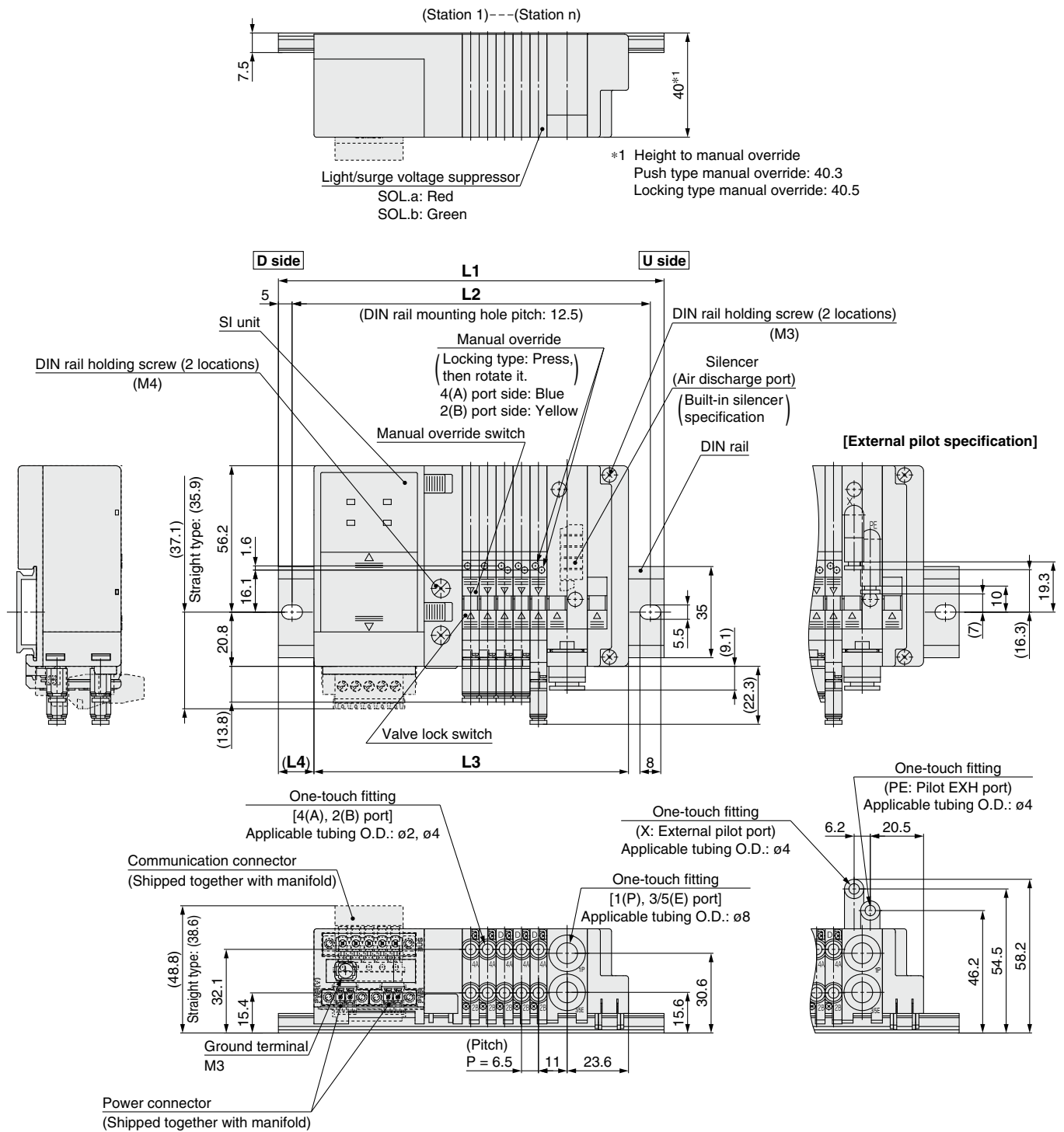
Individual
Wiring

Specific Product
Precautions

SJ1000/2000/3000 Series

Dimensions: **SJ1000** for EX180 Integrated Type (For Output) Serial Transmission System

SS5J1-60S□□□D-Stations U(S, R, RS)



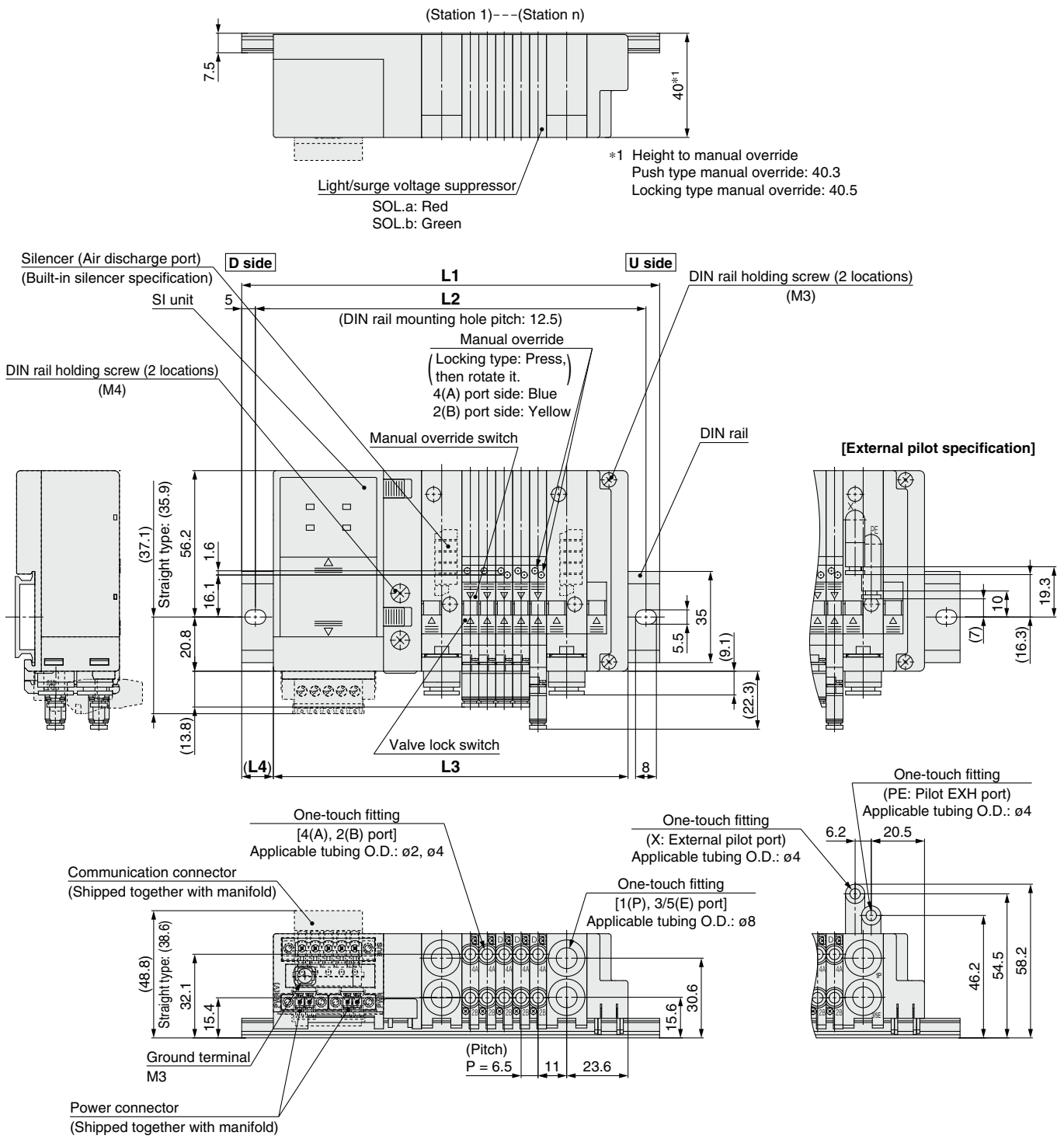
L: Dimensions

n: Stations

L \ n	1	2	3	4	5	6	7	8	9	10	11	12	13	14	15	16
L1	123	135.5	135.5	148	148	160.5	160.5	173	173	185.5	185.5	198	198	210.5	210.5	223
L2	112.5	125	125	137.5	137.5	150	150	162.5	162.5	175	175	187.5	187.5	200	200	212.5
L3	94.7	101.2	107.7	114.2	120.7	127.2	133.7	140.2	146.7	153.2	159.7	166.2	172.7	179.2	185.7	192.2
L4	14	17	14	17	13.5	16.5	13.5	16.5	13	16	13	16	12.5	15.5	12.5	15.5
L \ n	17	18	19	20	21	22	23	24	25	26	27	28	29	30	31	32
L1	223	235.5	235.5	248	248	260.5	273	273	285.5	285.5	298	298	310.5	310.5	323	323
L2	212.5	225	225	237.5	237.5	250	262.5	262.5	275	275	287.5	287.5	300	300	312.5	312.5
L3	198.7	205.2	211.7	218.2	224.7	231.2	237.7	244.2	250.7	257.2	263.7	270.2	276.7	283.2	289.7	296.2
L4	12	15	12	15	11.5	14.5	17.5	14.5	17.5	14	17	14	17	13.5	16.5	13.5

Dimensions: **SJ1000** for EX180 Integrated Type (For Output) Serial Transmission System

SS5J1-60S□□□D-Stations B(S, R, RS)



L: Dimensions

n: Stations

L \ n	1	2	3	4	5	6	7	8	9	10	11	12	13	14	15	16
L1	135.5	148	148	160.5	160.5	173	173	185.5	185.5	198	210.5	210.5	223	223	235.5	235.5
L2	125	137.5	137.5	150	150	162.5	162.5	175	175	187.5	200	200	212.5	212.5	225	225
L3	110.2	116.7	123.2	129.7	136.2	142.7	149.2	155.7	162.2	168.7	175.2	181.7	188.2	194.7	201.2	207.7
L4	12.5	15.5	12.5	15.5	12	15	12	15	11.5	14.5	17.5	14.5	17.5	14	17	14

L \ n	17	18	19	20	21	22	23	24	25	26	27	28	29	30	31	32
L1	248	248	260.5	260.5	273	273	285.5	285.5	298	298	310.5	310.5	323	323	335.5	335.5
L2	237.5	237.5	250	250	262.5	262.5	275	275	287.5	287.5	300	300	312.5	312.5	325	325
L3	214.2	220.7	227.2	233.7	240.2	246.7	253.2	259.7	266.2	272.7	279.2	285.7	292.2	298.7	305.2	311.7
L4	17	13.5	16.5	13.5	16.5	13	16	13	16	12.5	15.5	12.5	15.5	12	15	12

SJ
1000
2000
3000
4000

Common Specifications

Construction

Plug-in

D-sub Flat Ribbon

EX180

EX510

Non Plug-in

Individual Wiring

Manifold Options

Made to Order

SJ3A6

Common Spec. Construction

Plug-in

D-sub Flat Ribbon Serial

Non Plug-in

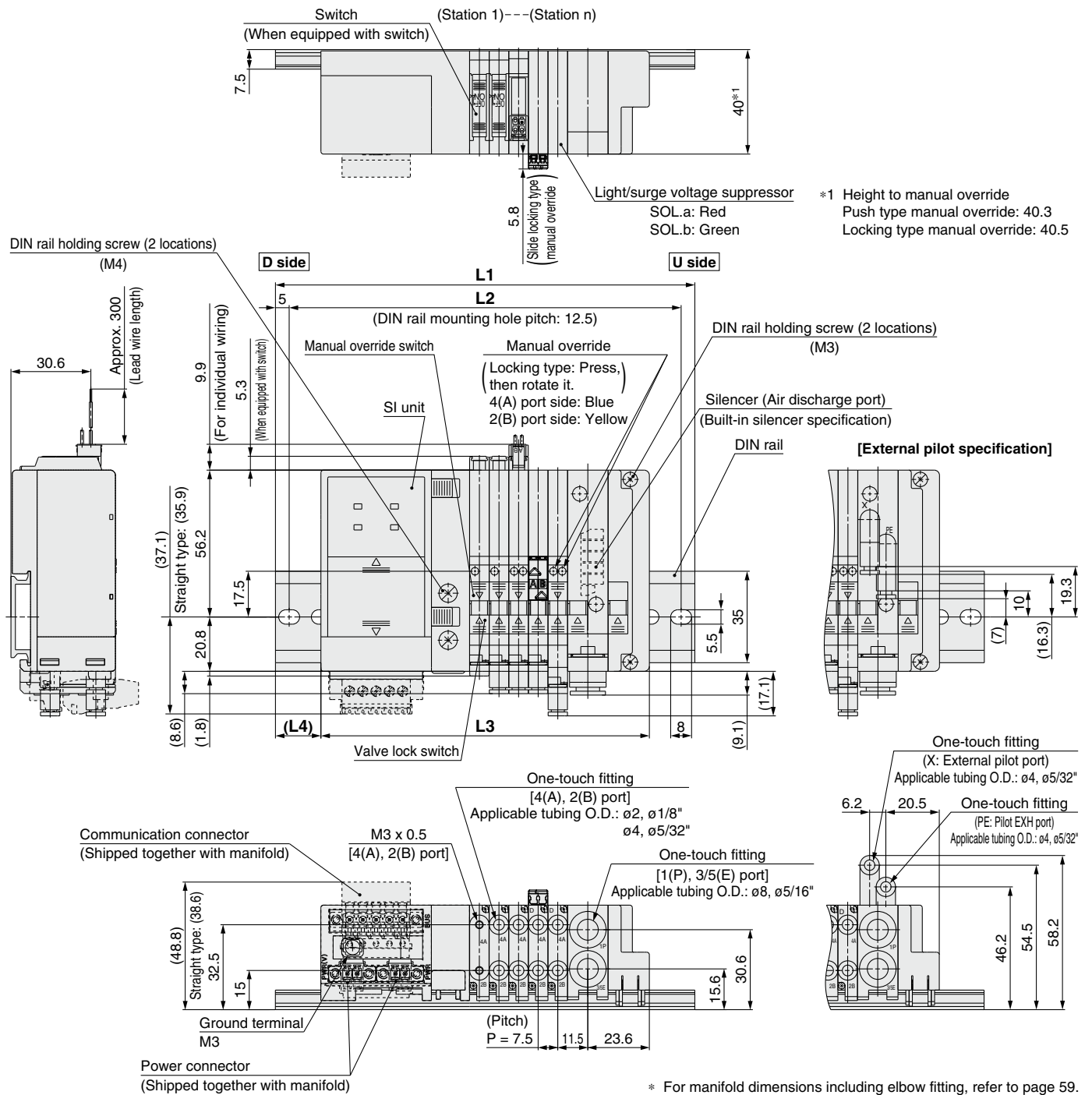
Individual Wiring

Specific Product Precautions

SJ1000/2000/3000 Series

Dimensions: **SJ2000** for EX180 Integrated Type (For Output) Serial Transmission System

SS5J2-60S□□□D-**Stations**U(S, R, RS)

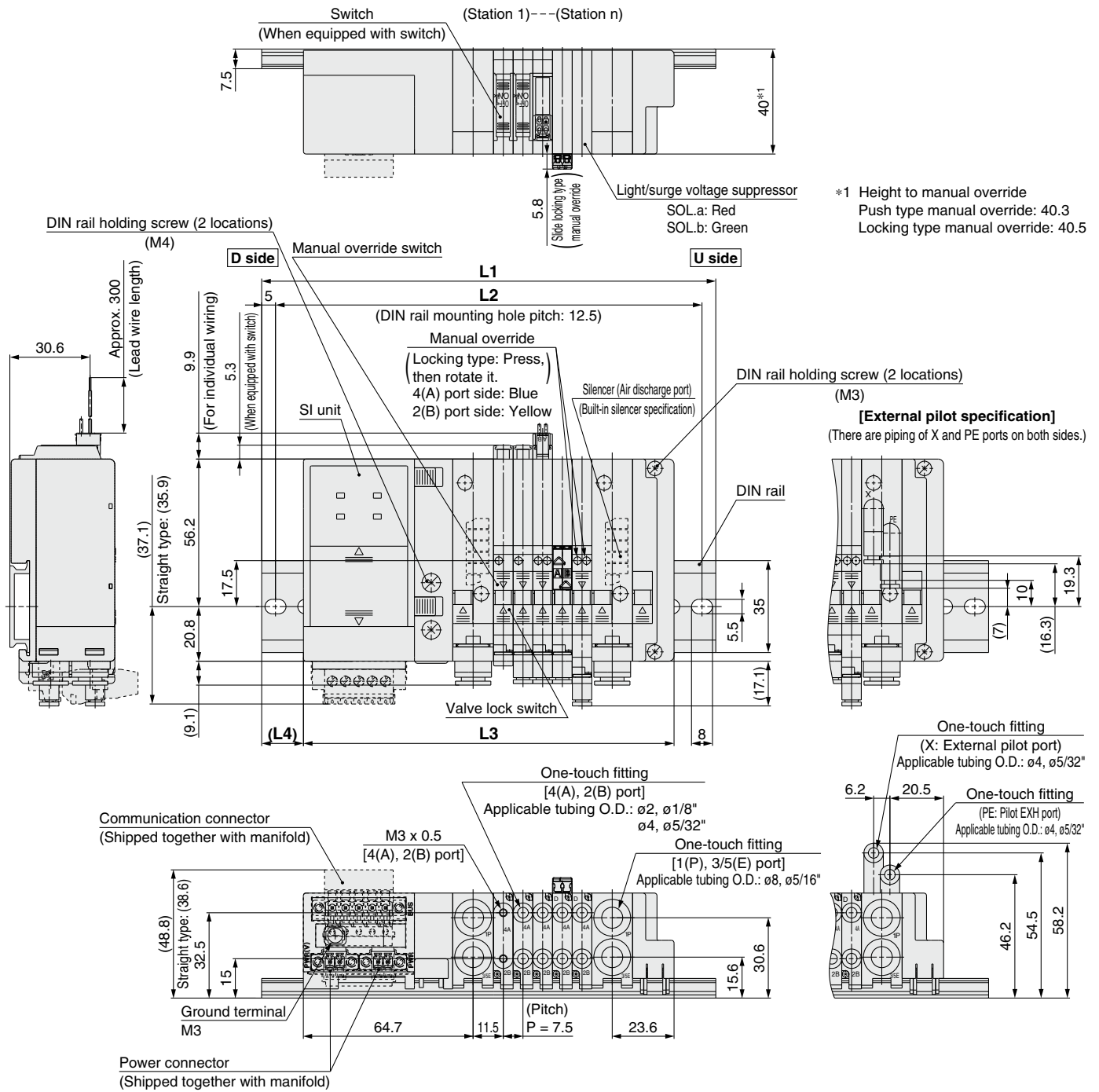


L: Dimensions

		n: Stations															
L \ n	1	2	3	4	5	6	7	8	9	10	11	12	13	14	15	16	
L1	123	135.5	135.5	148	160.5	160.5	173	173	185.5	198	198	210.5	210.5	223	235.5	235.5	
L2	112.5	125	125	137.5	150	150	162.5	162.5	175	187.5	187.5	200	200	212.5	225	225	
L3	95.7	103.2	110.7	118.2	125.7	133.2	140.7	148.2	155.7	163.2	170.7	178.2	185.7	193.2	200.7	208.2	
L4	13.5	16	12.5	15	17.5	13.5	16	12.5	15	17.5	13.5	16	12.5	15	17.5	13.5	
L \ n	17	18	19	20	21	22	23	24	25	26	27	28	29	30	31	32	
L1	248	248	260.5	273	273	285.5	285.5	298	310.5	310.5	323	323	335.5	348	348	360.5	
L2	237.5	237.5	250	262.5	262.5	275	275	287.5	300	300	312.5	312.5	325	337.5	337.5	350	
L3	215.7	223.2	230.7	238.2	245.7	253.2	260.7	268.2	275.7	283.2	290.7	298.2	305.7	313.2	320.7	328.2	
L4	16	12.5	15	17.5	13.5	16	12.5	15	17.5	13.5	16	12.5	15	17.5	13.5	16	

Dimensions: **SJ2000** for EX180 Integrated Type (For Output) Serial Transmission System

SS5J2-60S□□□D-Stations B(S, R, RS)



* For manifold dimensions including elbow fitting, refer to page 59. Refer to the **Web Catalog** for details on the SI unit.

L: Dimensions

		n: Stations															
L \ n	n	1	2	3	4	5	6	7	8	9	10	11	12	13	14	15	16
L1		135.5	148	160.5	160.5	173	173	185.5	198	198	210.5	210.5	223	235.5	235.5	248	248
L2		125	137.5	150	150	162.5	162.5	175	187.5	187.5	200	200	212.5	225	225	237.5	237.5
L3		111.2	118.7	126.2	133.7	141.2	148.7	156.2	163.7	171.2	178.7	186.2	193.7	201.2	208.7	216.2	223.7
L4		12	14.5	17	13.5	16	12	14.5	17	13.5	16	12	14.5	17	13.5	16	12
L \ n	n	17	18	19	20	21	22	23	24	25	26	27	28	29	30	31	32
L1		260.5	273	273	285.5	285.5	298	310.5	310.5	323	323	335.5	348	348	360.5	360.5	373
L2		250	262.5	262.5	275	275	287.5	300	300	312.5	312.5	325	337.5	337.5	350	350	362.5
L3		231.2	238.7	246.2	253.7	261.2	268.7	276.2	283.7	291.2	298.7	306.2	313.7	321.2	328.7	336.2	343.7
L4		14.5	17	13.5	16	12	14.5	17	13.5	16	12	14.5	17	13.5	16	12	14.5

SJ 1000 2000 3000 4000

Common Specifications

Construction

Plug-in

D-sub Flat Ribbon

EX510 EX180

Non Plug-in

Individual Wiring

Manifold Options

Made to Order

SJ3A6

Common Spec. Construction

Plug-in

D-sub Flat Ribbon Serial

Non Plug-in

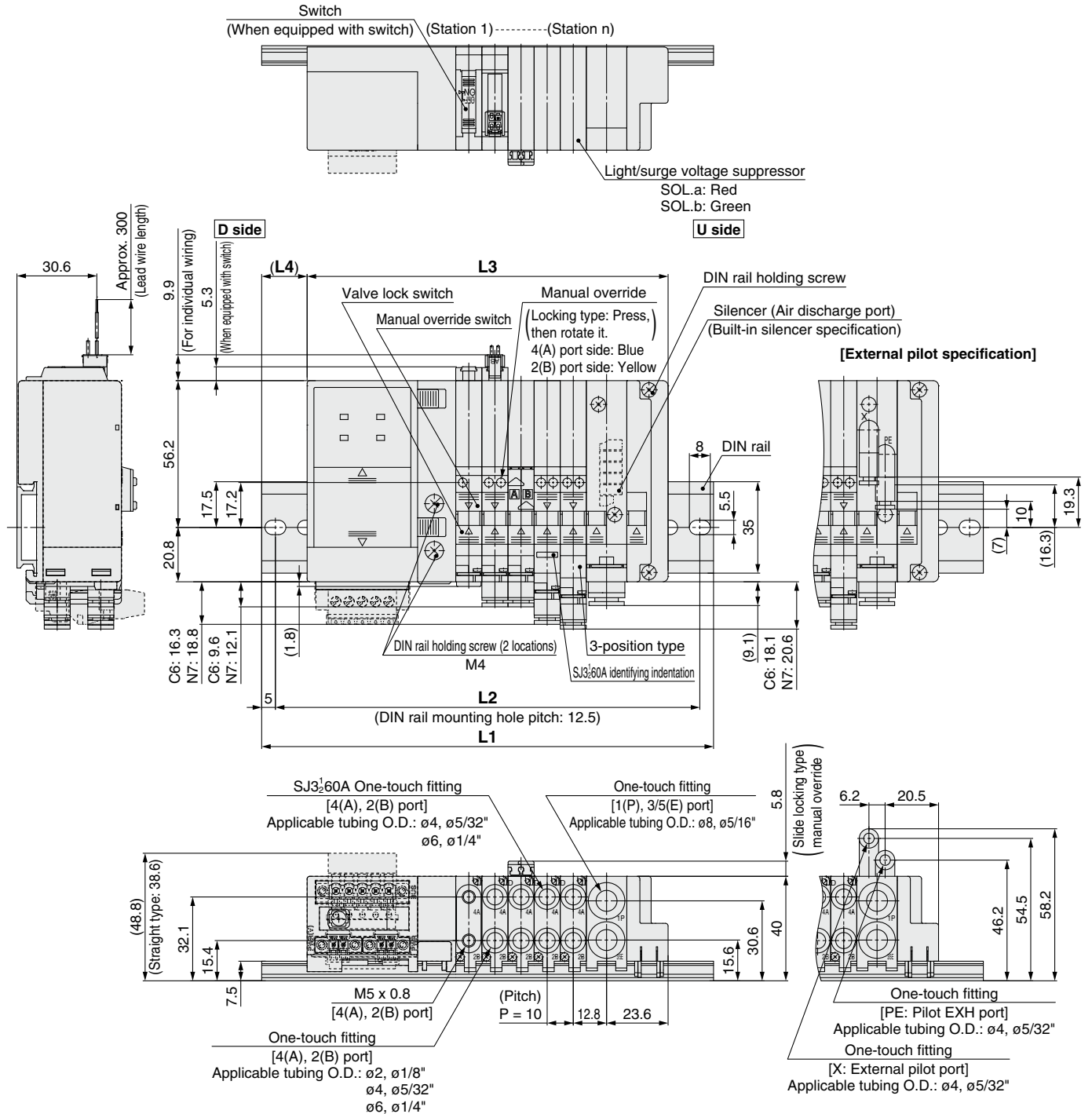
Individual Wiring

Specific Product Precautions

SJ1000/2000/3000 Series

Dimensions: **SJ3000** for EX180 Integrated Type (For Output) Serial Transmission System

SS5J3-60S□□□D-**Stations**U(S, R, RS)



* For manifold dimensions including elbow fitting, refer to page 60. Refer to the **Web Catalog** for details on the SI unit.

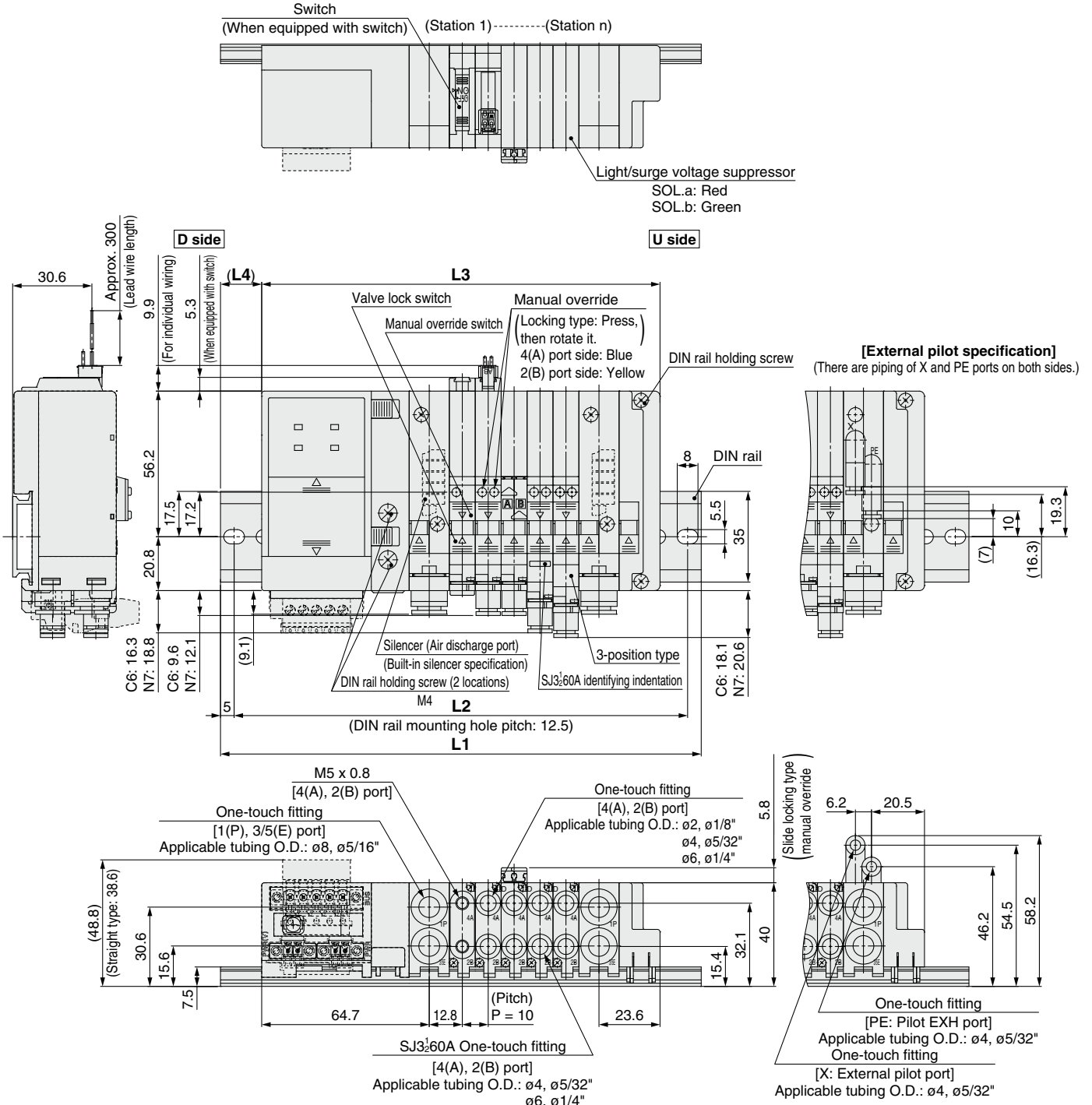
L: Dimensions

n: Stations

L \ n	1	2	3	4	5	6	7	8	9	10	11	12	13	14	15	16
L1	123	135.5	148	160.5	173	173	185.5	198	210.5	223	235.5	235.5	248	260.5	273	285.5
L2	112.5	125	137.5	150	162.5	162.5	175	187.5	200	212.5	225	225	237.5	250	262.5	275
L3	98.2	108.2	118.2	128.2	138.2	148.2	158.2	168.2	178.2	188.2	198.2	208.2	218.2	228.2	238.2	248.2
L4	12.5	13.5	14.5	16	17	12	13	14	15.5	16.5	17.5	12.5	13.5	15	16	17
L \ n	17	18	19	20	21	22	23	24	25	26	27	28	29	30	31	32
L1	285.5	298	310.5	323	335.5	348	348	360.5	373	385.5	398	398	410.5	423	435.5	448
L2	275	287.5	300	312.5	325	337.5	337.5	350	362.5	375	387.5	387.5	400	412.5	425	437.5
L3	258.2	268.2	278.2	288.2	298.2	308.2	318.2	328.2	338.2	348.2	358.2	368.2	378.2	388.2	398.2	408.2
L4	12	13	14.5	15.5	16.5	17.5	12.5	14	15	16	17	12	13.5	14.5	15.5	16.5

Dimensions: **SJ3000** for EX180 Integrated Type (For Output) Serial Transmission System

SS5J3-60S□□□D- Stations B(S, R, RS)



* For manifold dimensions including elbow fitting, refer to page 60. Refer to the **Web Catalog** for details on the SI unit.

L: Dimensions

		n: Stations															
L \ n	n	1	2	3	4	5	6	7	8	9	10	11	12	13	14	15	16
L1		148	148	160.5	173	185.5	198	210.5	210.5	223	235.5	248	260.5	260.5	273	285.5	298
L2		137.5	137.5	150	162.5	175	187.5	200	200	212.5	225	237.5	250	250	262.5	275	287.5
L3		113.7	123.7	133.7	143.7	153.7	163.7	173.7	183.7	193.7	203.7	213.7	223.7	233.7	243.7	253.7	263.7
L4		17	12	13	14.5	15.5	16.5	17.5	12.5	14	15	16	17	12	13.5	14.5	15.5
L \ n	n	17	18	19	20	21	22	23	24	25	26	27	28	29	30	31	32
L1		310.5	310.5	323	335.5	348	360.5	373	373	385.5	398	410.5	423	423	435.5	448	460.5
L2		300	300	312.5	325	337.5	350	362.5	362.5	375	387.5	400	412.5	412.5	425	437.5	450
L3		273.7	283.7	293.7	303.7	313.7	323.7	333.7	343.7	353.7	363.7	373.7	383.7	393.7	403.7	413.7	423.7
L4		16.5	11.5	13	14	15	16	17.5	12.5	13.5	14.5	15.5	17	12	13	14	15

SJ 1000 2000 3000 4000

Common Specifications

Construction

Plug-in

D-sub Flat Ribbon

EX180

EX510

Non Plug-in

Individual Wiring

Manifold Options

Made to Order

SJ3A6

Common Spec. Construction

Plug-in

D-sub Flat Ribbon Serial

Non Plug-in

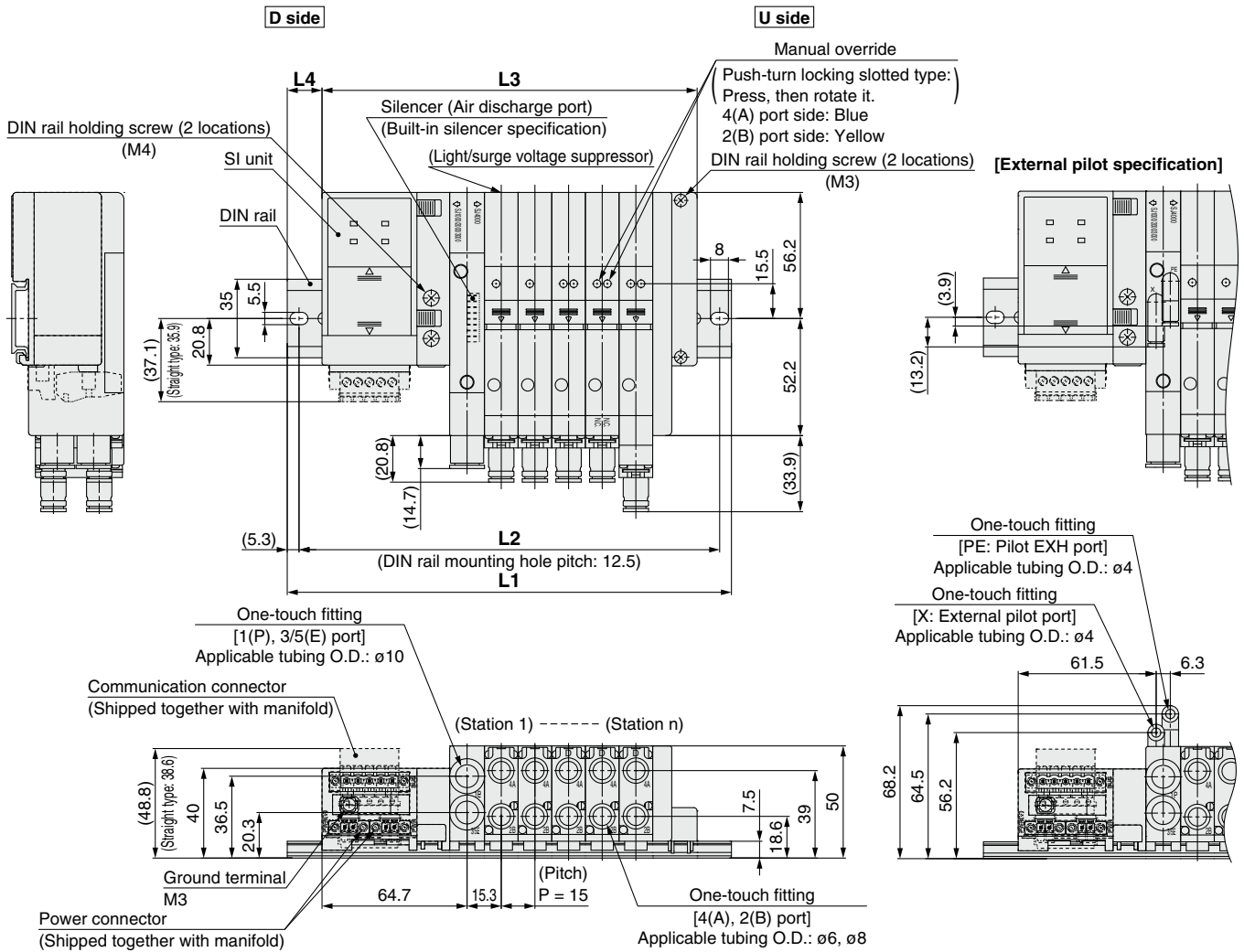
Individual Wiring

Specific Product Precautions

SJ4000 Series

Dimensions: **SJ4000** for EX180 Integrated Type (For Output) Serial Transmission System

SS5J4-60S□□-Stations D(S, R)



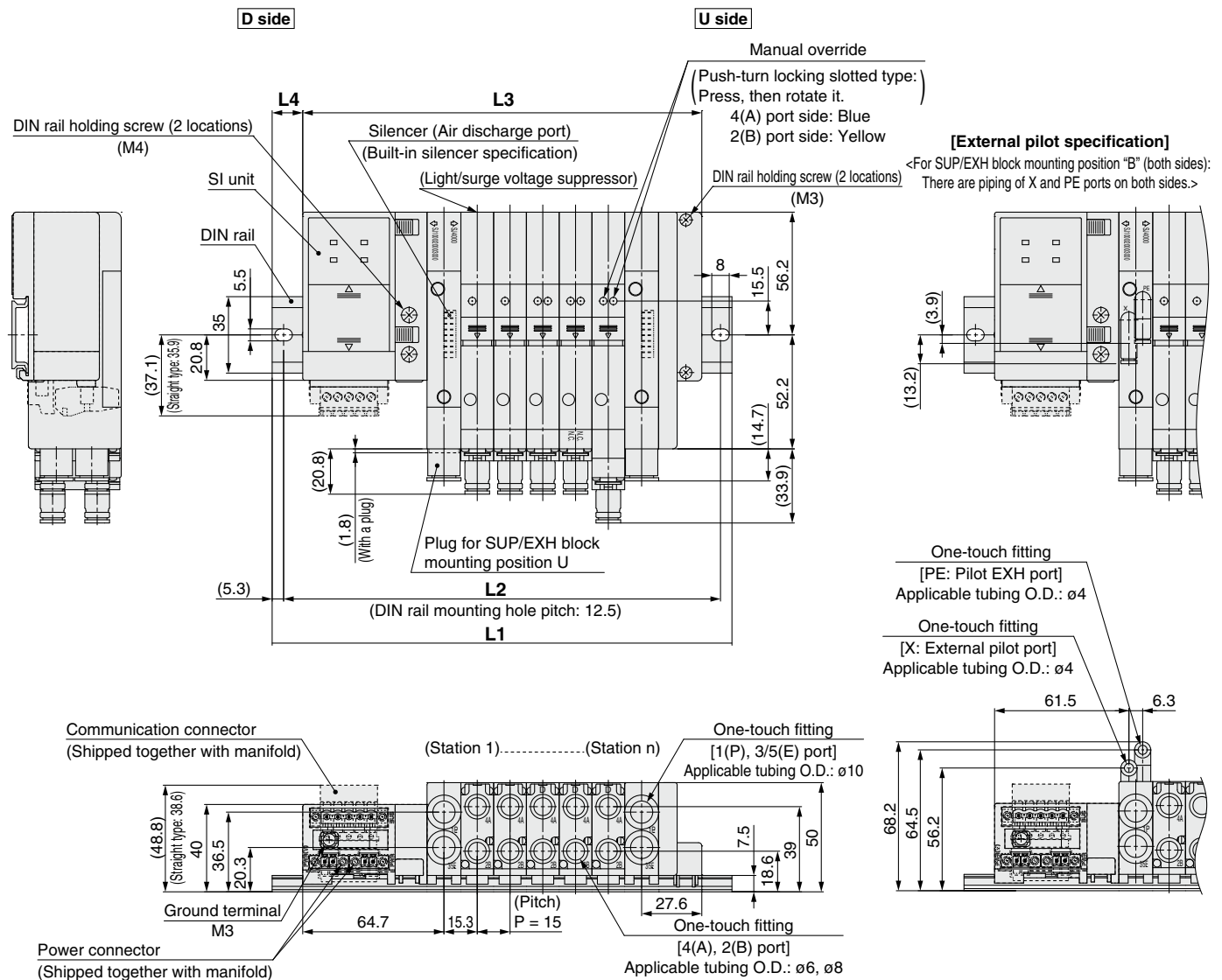
* Refer to the **Web Catalog** for details on the SI unit.

L: Dimensions

		n: Stations															
L \ n	n	1	2	3	4	5	6	7	8	9	10	11	12	13	14	15	16
L1		135.5	148	160.5	185.5	198	210.5	223	235.5	260.5	273	285.5	298	310.5	335.5	348	360.5
L2		125	137.5	150	175	187.5	200	212.5	225	250	262.5	275	287.5	300	325	337.5	350
L3		107.2	122.2	137.2	152.2	167.2	182.2	197.2	212.2	227.2	242.2	257.2	272.2	287.2	302.2	317.2	332.2
L4		14	13	11.5	16.5	15.5	14	13	11.5	16.5	15.5	14	13	11.5	16.5	15.5	14
L \ n	n	17	18	19	20	21	22	23	24	25	26	27	28	29	30	31	32
L1		373	385.5	410.5	423	435.5	448	460.5	485.5	498	510.5	523	535.5	560.5	573	585.5	598
L2		362.5	375	400	412.5	425	437.5	450	475	487.5	500	512.5	525	550	562.5	575	587.5
L3		347.2	362.2	377.2	392.2	407.2	422.2	437.2	452.2	467.2	482.2	497.2	512.2	527.2	542.2	557.2	572.2
L4		13	11.5	16.5	15.5	14	13	11.5	16.5	15.5	14	13	11.5	16.5	15.5	14	13

Dimensions: **SJ4000** for EX180 Integrated Type (For Output) Serial Transmission System

SS5J4-60S □ □ - Stations **B(S, R)**



* Refer to the **Web Catalog** for details on the SI unit.

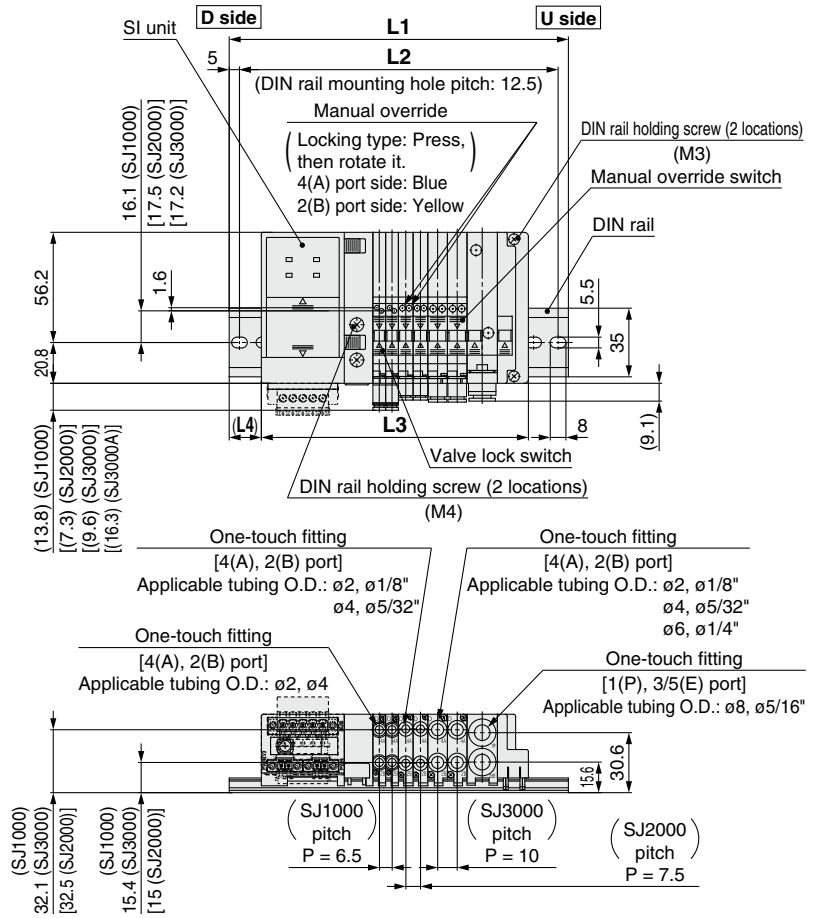
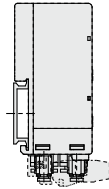
L: Dimensions

		n: Stations															
L \ n	1	2	3	4	5	6	7	8	9	10	11	12	13	14	15	16	
L1	148	173	185.5	198	210.5	223	248	260.5	273	285.5	298	323	335.5	348	360.5	373	
L2	137.5	162.5	175	187.5	200	212.5	237.5	250	262.5	275	287.5	312.5	325	337.5	350	362.5	
L3	122.7	137.7	152.7	167.7	182.7	197.7	212.7	227.7	242.7	257.7	272.7	287.7	302.7	317.7	332.7	347.7	
L4	12.5	17.5	16.5	15	14	12.5	17.5	16.5	15	14	12.5	17.5	16.5	15	14	12.5	
L \ n	17	18	19	20	21	22	23	24	25	26	27	28	29	30	31	32	
L1	398	410.5	423	435.5	448	473	485.5	498	510.5	523	548	560.5	573	585.5	598	623	
L2	387.5	400	412.5	425	437.5	462.5	475	487.5	500	512.5	537.5	550	562.5	575	587.5	612.5	
L3	362.7	377.7	392.7	407.7	422.7	437.7	452.7	467.7	482.7	497.7	512.7	527.7	542.7	557.7	572.7	587.7	
L4	17.5	16.5	15	14	12.5	17.5	16.5	15	14	12.5	17.5	16.5	15	14	12.5	17.5	

SJ1000/2000/3000 Series

Dimensions: SJ1000/2000/3000 Mixed Manifold

SS5J3-M60S□□□D-Stations U(S, R, RS)

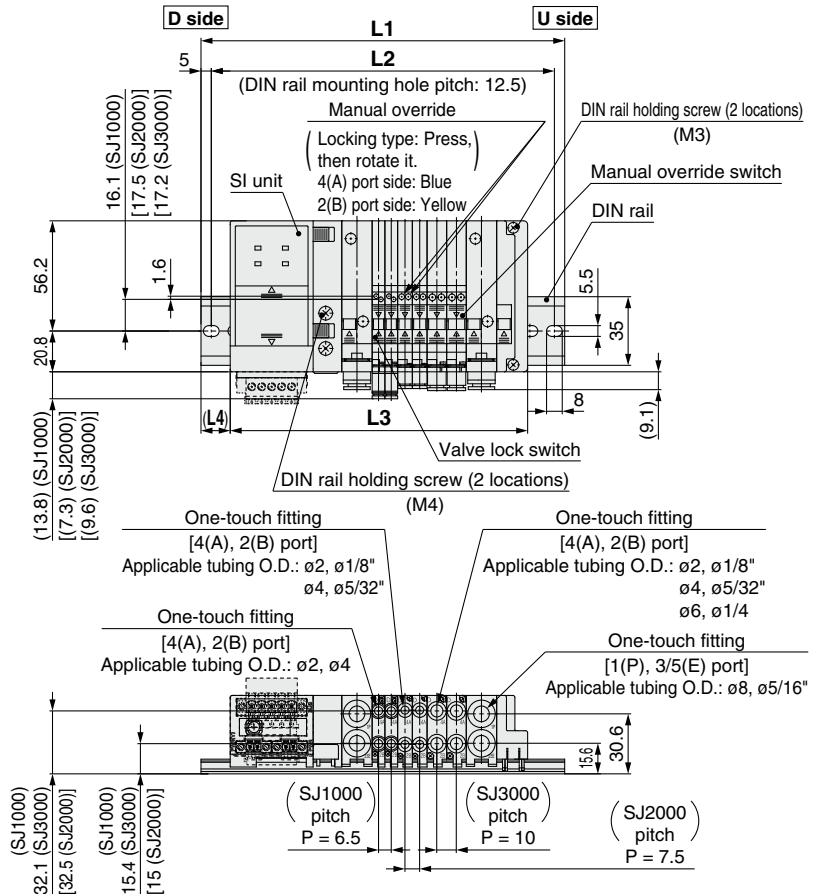
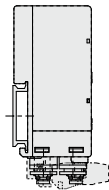


L dimension: Formula, L1 to L4
 $L3 = 6.5 \times n1 + 7.5 \times n2 + 10 \times n3 + 88.2$
 $M = (L3 + 4) / 12.5 + 1$
 Decimal fractions are truncated.
 $L1 = M \times 12.5 + 23$
 $L2 = L1 - 10.5$
 $L4 = (L1 - L3) / 2 - 2$

n1 = Number of SJ1000
 n2 = Number of SJ2000
 n3 = Number of SJ3000

* The dimensions of L1 to L4 for SS5J3-M60S□□□D-Stations D are the same as those of SS5J3-M60S□□□D-Stations U.

SS5J3-M60S□□□D-Stations B(S, R, RS)

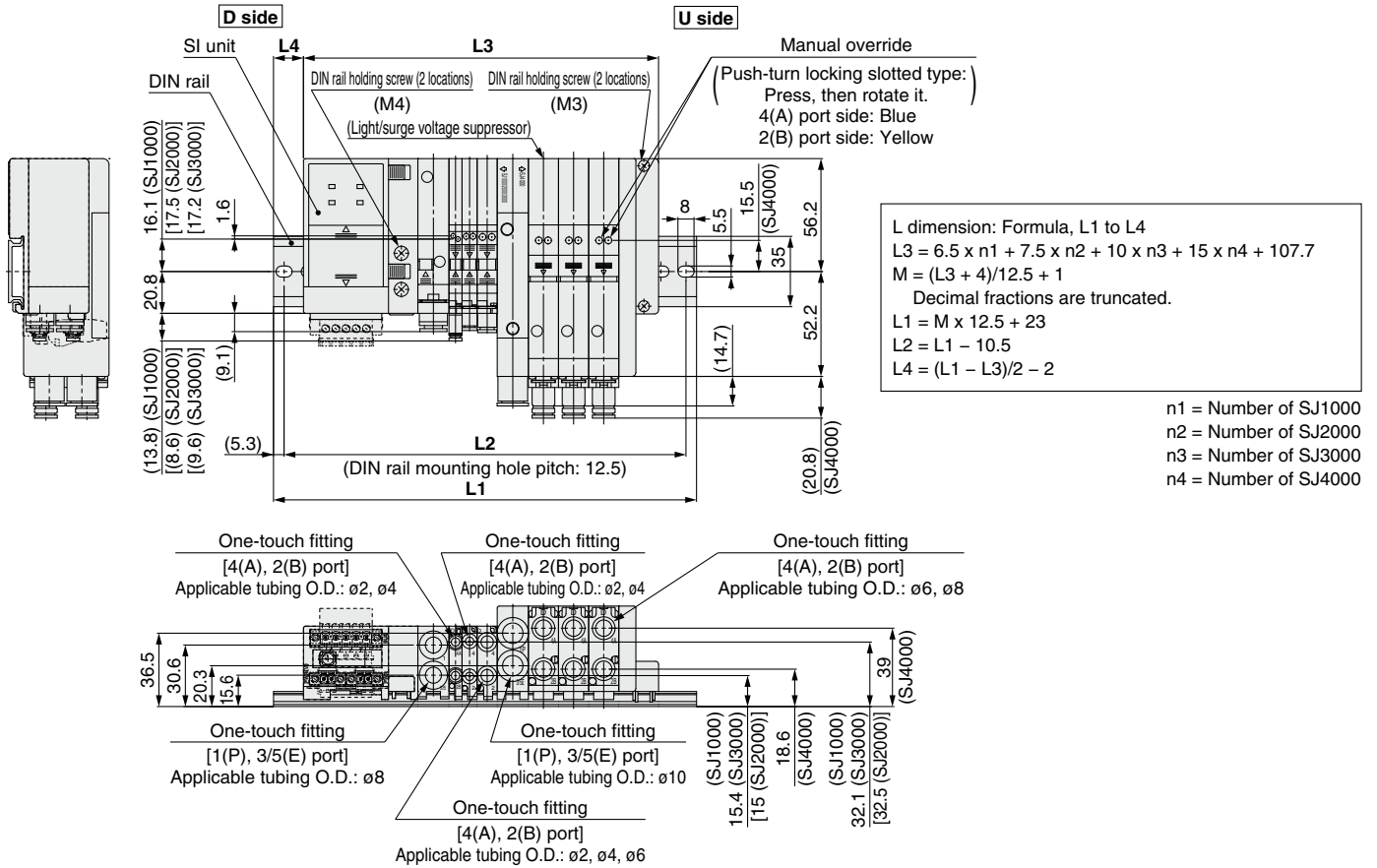


L dimension: Formula, L1 to L4
 $L3 = 6.5 \times n1 + 7.5 \times n2 + 10 \times n3 + 103.7$
 $M = (L3 + 4) / 12.5 + 1$
 Decimal fractions are truncated.
 $L1 = M \times 12.5 + 23$
 $L2 = L1 - 10.5$
 $L4 = (L1 - L3) / 2 - 2$

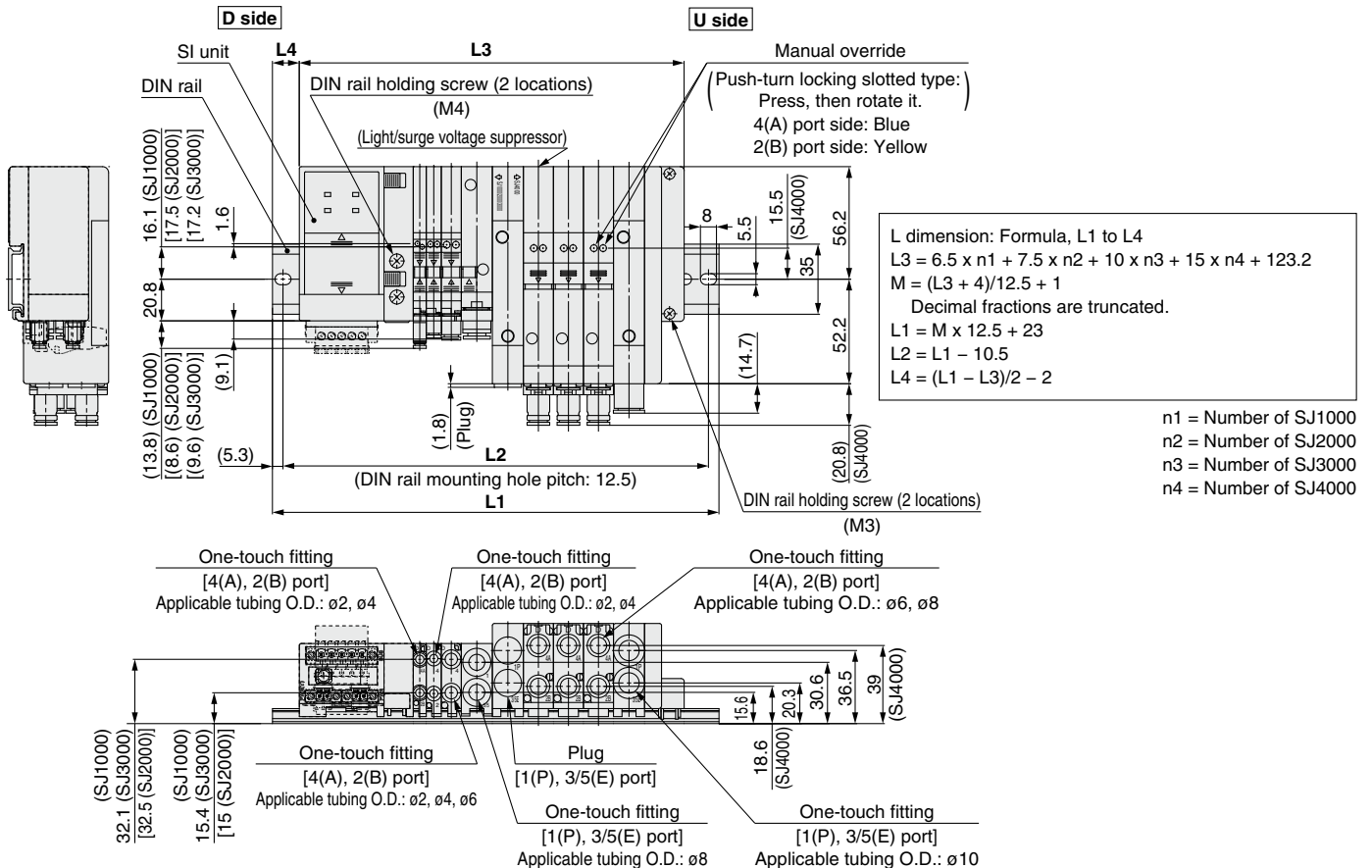
n1 = Number of SJ1000
 n2 = Number of SJ2000
 n3 = Number of SJ3000

Dimensions: **SJ4000 Mixed Manifold**

SS5J4-M60S □ □ - Stations **D(S, R)**



SS5J4-M60S □ □ - Stations **U(S, R)**



SJ
 1000
 2000
 3000
 4000

Common
 Specifications

Construction

Plug-in

D-sub
 Flat Ribbon

EX180

EX510

Non
 Plug-in

Individual
 Wiring

Manifold
 Options

Made to
 Order

SJ3A6

Common Spec.
 Construction

Plug-in

D-sub
 Flat Ribbon
 Serial

Non
 Plug-in

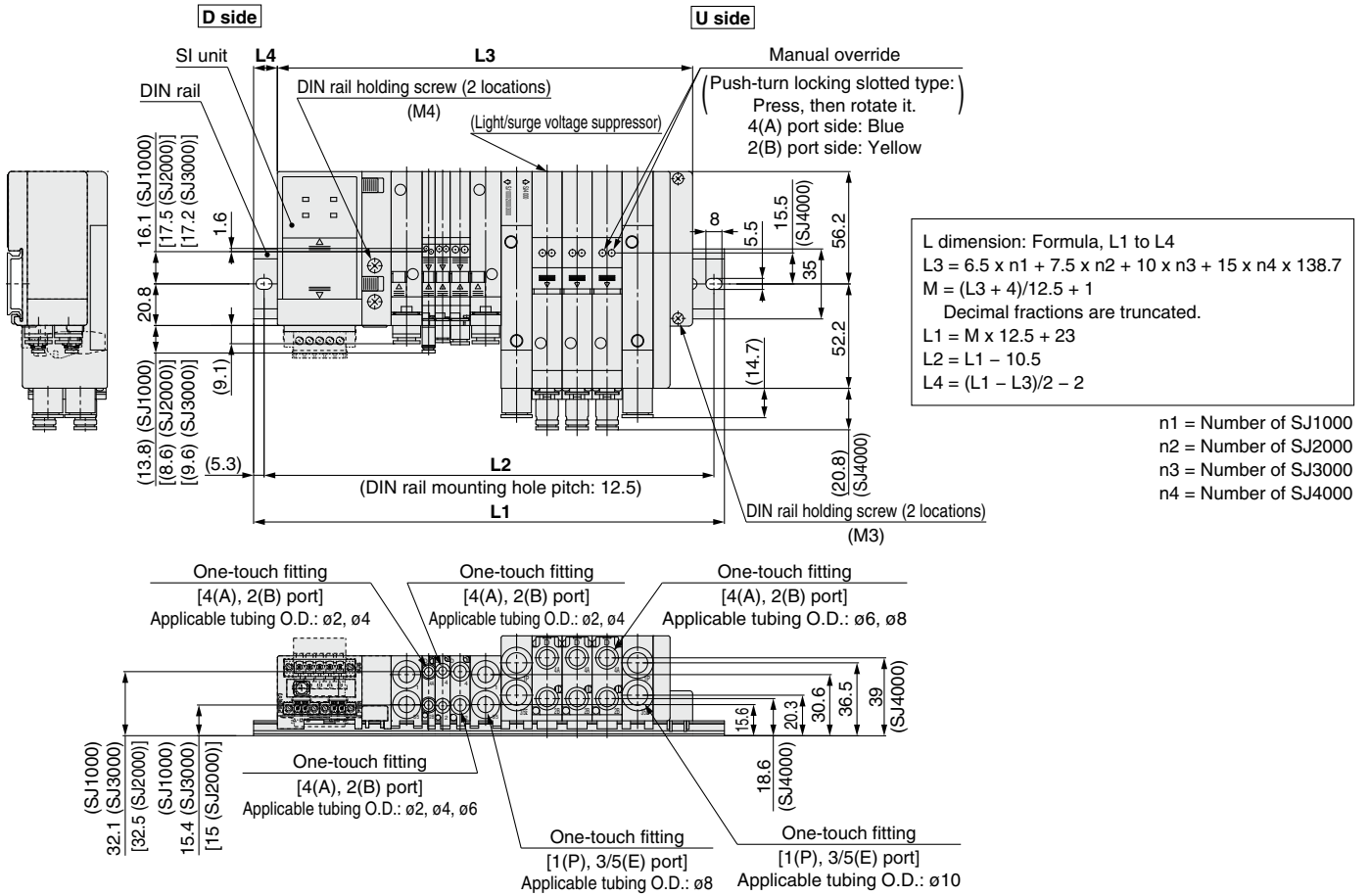
Individual
 Wiring

Specific Product
 Precautions

SJ4000 Series

Dimensions: SJ4000 Mixed Manifold

SS5J4-M60S□□-Stations B(S, R)



SJ
1000
2000
3000
4000

Common
Specifications

Construction

Plug-in

D-sub
Flat Ribbon

EX180

EX510

Non
Plug-in

Individual
Wiring

Manifold
Options

Made to
Order

SJ3A6

Common Spec.
Construction

Plug-in

D-sub
Flat Ribbon
Serial

Non
Plug-in

Individual
Wiring

Specific Product
Precautions

Plug-in Connector Type EX510 Gateway Type Serial Transmission System

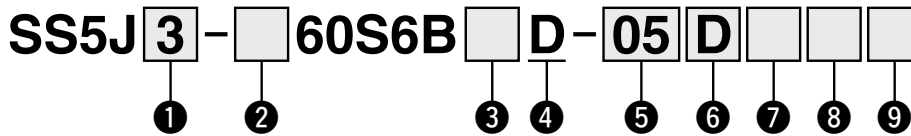


Type **60S6B**

SJ1000/2000/3000 Series

An order cannot be placed with only the manifold part no. Be sure to order solenoid valves for mounting at the same time while referring to the ordering example.

How to Order Manifolds



① Manifold series

1	SJ1000
2	SJ2000
3	SJ3000 (SJ1000/2000/3000 mixed*1)

*1 Select "3" for the combination of SJ1000 and SJ2000 valves.

② Mixed mounting type

Nil	Standard*1
M	Mixed mounting*2

*1 For SJ1000, 2000, and 3000 series valves, select "Nil" when only using a single series.

*2 Select "M" when SJ1000, SJ2000, or SJ3000 series valves will be mounted on the same manifold base together.

③ SI unit common specification

Nil	Positive common
N	Negative common

④ Unit mounting position

D	D side
---	--------

⑤ Valve stations

Symbol	Stations	Note
01	1 station	Up to 16 solenoids can be selected.
⋮	⋮	
16	16 stations	

* This number also includes the blanking block. Since single and double wiring are available for the blanking block, select a model compatible with the valve wiring specification to be used.

⑥ SUP/EXH block mounting position

U	U side
D	D side
B	Both sides
M*1	Special specifications

*1 Specify the required specifications (including port sizes other than ø8) on the manifold specification sheet.

⑦ Pilot type

Nil	Internal pilot
S	Internal pilot, Built-in silencer
R	External pilot
RS	External pilot, Built-in silencer

* There is no need to enter anything when the SUP/EXH block mounting position "M" is selected.

* The 3/5(E) port is plugged for the built-in silencer type.

⑧ SUP/EXH block fitting specification

Nil	L	B
Straight fitting With external pilot spec. X, PE port: Elbow fitting	Elbow fitting (Upward) With external pilot spec. X, PE port: Straight fitting	Elbow fitting (Downward) With external pilot spec. X, PE port: Elbow fitting

* There is no need to enter anything when the SUP/EXH block mounting position "M" is selected.

⑨ DIN rail length specified

Nil	Standard length
2	2 stations Specify a length longer than that of the standard rail.
⋮	⋮
16	16 stations

* Specify the number of valve stations without exceeding the max. number of stations.

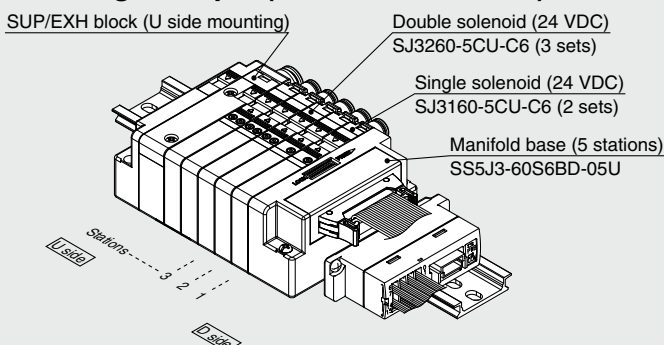
SI Unit Part Nos.

Symbol	SI unit specification	SI unit part no.
Nil	NPN output (Positive common)	EX510-S002C
N	PNP output (Negative common)	EX510-S102C

For details on the EX510 Gateway Type Serial Transmission System, refer to the **Web Catalog** and the **Operation Manual**. Please download the **Operation Manual** via the SMC website: <https://www.smcworld.com>

How to Order Manifold Assembly

Ordering example (SS5J3-60S6BD-□)



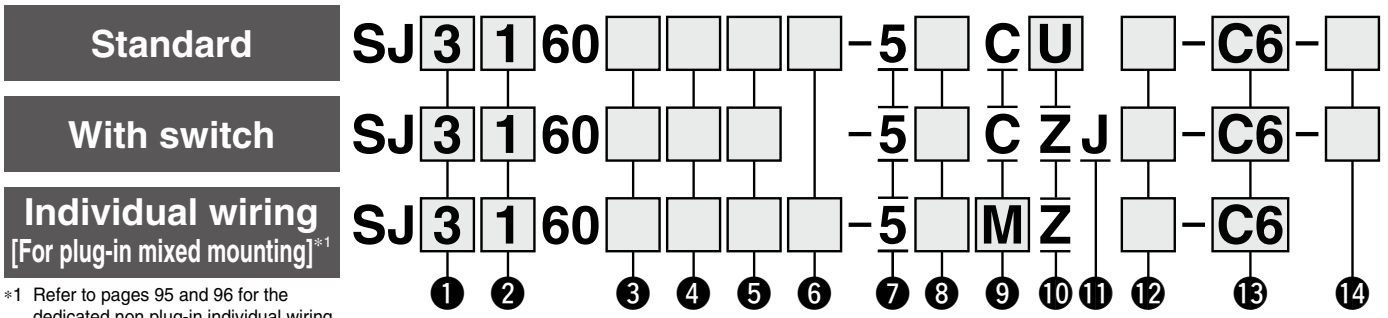
SS5J3-60S6BD-05U 1 set (Type 60S6B, 5-station manifold base part no.)
 * SJ3160-5CU-C6 2 sets (Single solenoid part no.)
 * SJ3260-5CU-C6 3 sets (Double solenoid part no.)
 → The asterisk denotes the symbol for the assembly. Prefix it to the part numbers of the solenoid valve, etc.

· For the valve arrangement, the valve closest to the D side is considered the 1st station.

· Under the manifold part number, state the valves to be mounted in order starting with the 1st station as shown in the figure. If the arrangement becomes too complicated, specify the details on a manifold specification sheet.

* When ordering a manifold, specify the part nos. of the valves to be mounted on it. (An order cannot be placed with only the manifold part no.)

How to Order Solenoid Valves



*1 Refer to pages 95 and 96 for the dedicated non plug-in individual wiring.

1 Series

1	SJ1000
2	SJ2000
3	SJ3000

2 Type of actuation

1	2-position single solenoid
2	2-position double solenoid
3	3-position closed center
4	3-position exhaust center
5	3-position pressure center

A	Dual 3-port valve: N.C./N.C.
B	Dual 3-port valve: N.O./N.O.
C	Dual 3-port valve: N.C./N.O.

6 Coil type

Symbol	Coil type	SJ1000	SJ2000	SJ3000(A)
Nil	Standard	—	●	●
T	With power-saving circuit (Continuous duty type)	●	●	●

* Be sure to select the power-saving circuit type if the valve is to be continuously energized for long periods of time.
 * For the SJ1000 series, only the power-saving circuit type is available.

3 Nil Standard flow type
A*1 Large flow type

*1 SJ3000 series only

4 Nil Internal pilot
R External pilot

* External pilot specification is not applicable for 4-position dual 3-port valves.

5 Nil None
K Built-in

* 3-position and large flow rate "A" solenoid valves are not provided with a back pressure check valve.

7 5 24 VDC

8 Nil Positive common
N Negative common

* For the non-polar type, there is no need to select a symbol.
 * When the standard valve and valve with a switch are used, select a common specification that matches the SI unit common specification.

9 Connector entry

Symbol	C: Dedicated for centralized wiring	M: Individual wiring, With lead wire Length 300 mm	MN: Individual wiring, Without lead wire	MO: Individual wiring, Without connector
SJ1000	●	—	—	—
SJ2000	●	●	●	●
SJ3000	●	●	●	●

* Connector entries with the symbol "M□" cannot use the switch signal from the common wiring on the manifold. For details, refer to the "Connector Wiring Diagram" on page 17.
 * When ordering a connector separately, refer to pages 144 and 145.

12 Manual override

Symbol/Specification	SJ1000	SJ2000	SJ3000(A)
Nil: Non-locking push type	●	●	●
D: Push-turn locking slotted type	●	●	●
F: Slide locking type	—	●	●

13 A, B port size

Metric/One-touch fitting

Symbol	A, B port	SJ1000	SJ2000	SJ3000	SJ3000A
C2	Straight ø2	●	●	●	—
C4	Straight ø4	●	●	●	●
C6	Straight ø6	—	—	●	●
L2	Elbow Upward entry ø2	—	●	—	—
L4	Elbow Upward entry ø4	—	●	●	●
L6	Elbow Upward entry ø6	—	—	●	●
B2	Elbow Downward entry ø2	—	●	—	—
B4	Elbow Downward entry ø4	—	●	●	●
B6	Elbow Downward entry ø6	—	—	●	●

Thread piping

Symbol	A, B port	SJ1000	SJ2000	SJ3000	SJ3000A
M3	M3 x 0.5	—	●	—	—
M5	M5 x 0.8	—	—	●	●

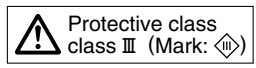
Inch/One-touch fitting

Symbol	A, B port	SJ1000	SJ2000	SJ3000	SJ3000A
N1	Straight ø1/8"	—	●	●	—
N3	Straight ø5/32"	—	●	●	●
N7	Straight ø1/4"	—	—	●	●
LN1	Elbow Upward entry ø1/8"	—	●	—	—
LN3	Elbow Upward entry ø5/32"	—	●	●	●
LN7	Elbow Upward entry ø1/4"	—	—	●	●
BN1	Elbow Downward entry ø1/8"	—	●	—	—
BN3	Elbow Downward entry ø5/32"	—	●	●	●
BN7	Elbow Downward entry ø1/4"	—	—	●	●

14 Single solenoid wiring specification

Nil	Single wiring
D	Double wiring

* There is no need to enter anything for 2-position double, 3-position, and 4-position solenoid valves. Select this when the unused numbers to wiring are set. Refer to page 16 for details.



SJ 1000
2000
3000
4000

Common Specifications

Construction

Plug-in

D-sub Flat Ribbon

EX180

EX510

Non Plug-in

Individual Wiring

Manifold Options

Made to Order

SJ3A6

Common Spec. Construction

Plug-in

D-sub Flat Ribbon Serial

Non Plug-in

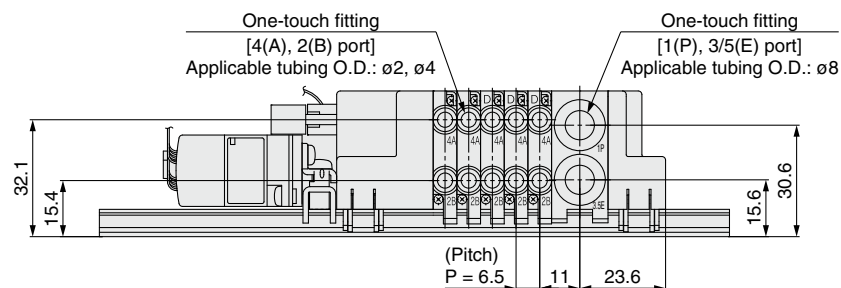
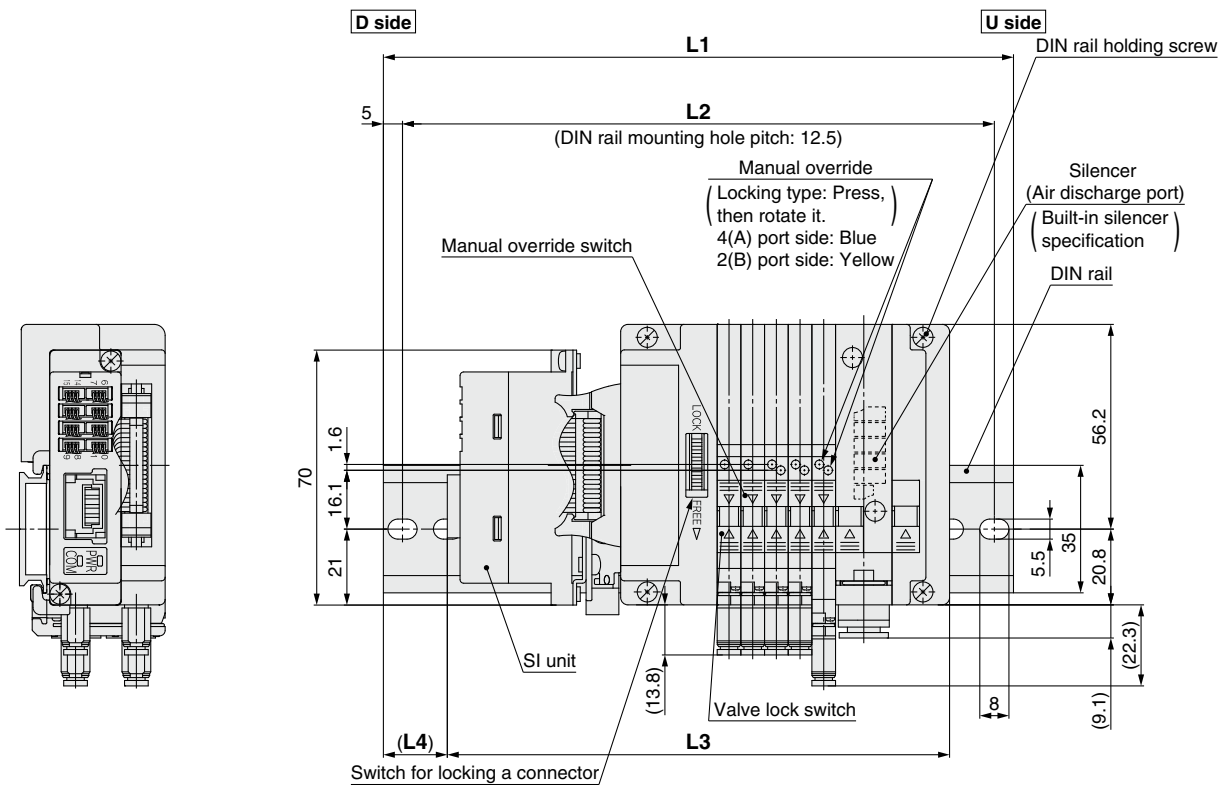
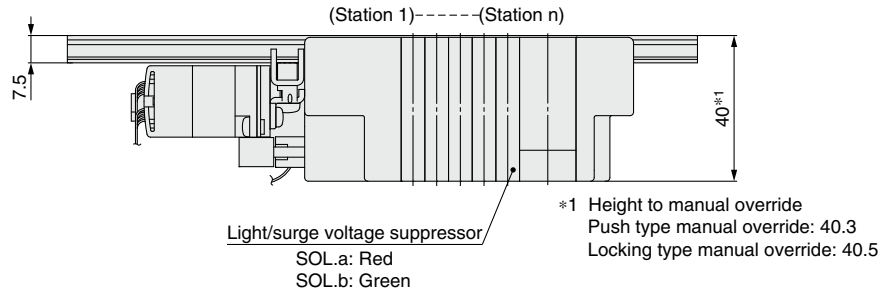
Individual Wiring

Specific Product Precautions

SJ1000/2000/3000 Series

Dimensions: **SJ1000** for EX510 Gateway Type Serial Transmission System

SS5J1-60S6B□D-StationsU(S, R, RS)



L: Dimensions

		n: Stations															
L \ n	1	2	3	4	5	6	7	8	9	10	11	12	13	14	15	16	
L1	135.5	148	148	160.5	173	173	185.5	185.5	198	198	210.5	210.5	223	223	235.5	235.5	
L2	125	137.5	137.5	150	162.5	162.5	175	175	187.5	187.5	200	200	212.5	212.5	225	225	
L3	111.9	118.4	124.9	131.4	137.9	144.4	150.9	157.4	163.9	170.4	176.9	183.4	189.9	196.4	202.9	209.4	
L4	12	15	11.5	14.5	17.5	14.5	17.5	14	17	14	17	13.5	16.5	13.5	16.5	13	

Dimensions: **SJ1000** for EX510 Gateway Type Serial Transmission System

SS5J1-60S6B□D-StationsB(S, R, RS)

SJ
1000
2000
3000
4000

Common
Specifications

Construction

Plug-in

D-sub
Flat Ribbon

EX180

EX510

Non
Plug-in

Individual
Wiring

Manifold
Options

Made to
Order

SJ3A6

Common Spec.
Construction

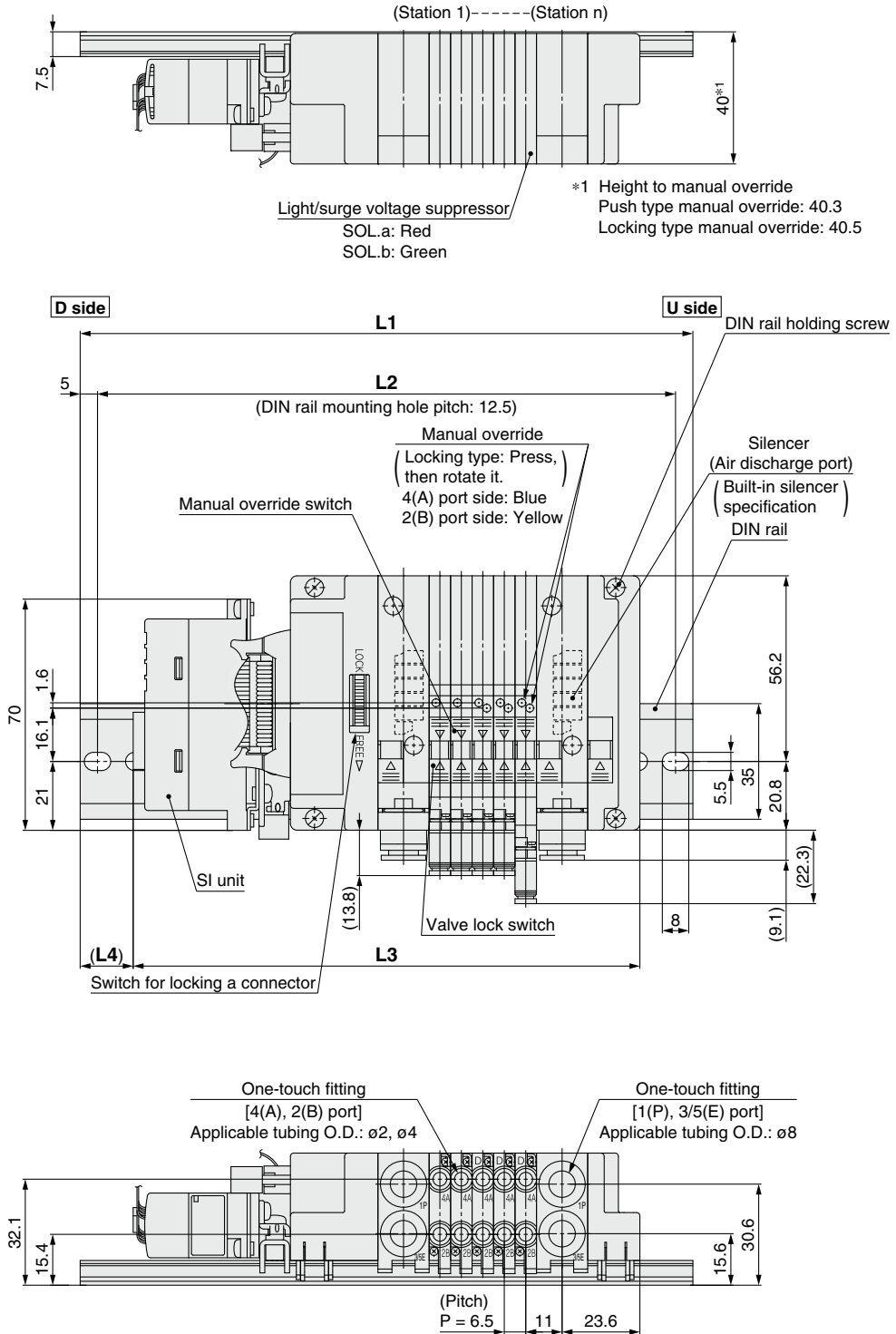
Plug-in

D-sub
Flat Ribbon
Serial

Non
Plug-in

Individual
Wiring

Specific Product
Precautions



L: Dimensions

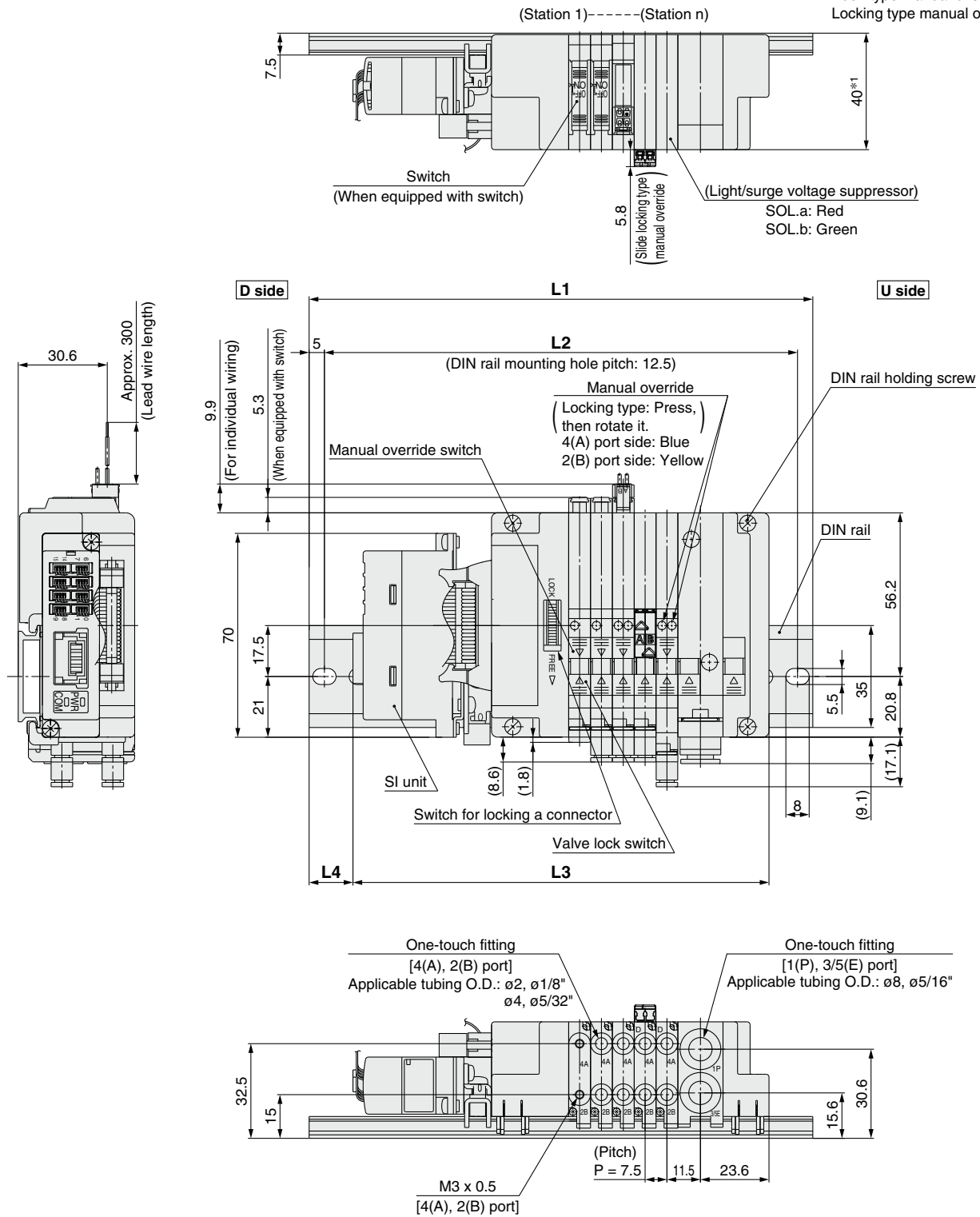
		n: Stations															
L \ n	1	2	3	4	5	6	7	8	9	10	11	12	13	14	15	16	
L1	160.5	160.5	173	173	185.5	185.5	198	198	210.5	210.5	223	223	235.5	235.5	248	248	
L2	150	150	162.5	162.5	175	175	187.5	187.5	200	200	212.5	212.5	225	225	237.5	237.5	
L3	127.4	133.9	140.4	146.9	153.4	159.9	166.4	172.9	179.4	185.9	192.4	198.9	205.4	211.9	218.4	224.9	
L4	16.5	13.5	16.5	13	16	13	16	12.5	15.5	12.5	15.5	12	15	12	15	11.5	

SJ1000/2000/3000 Series

Dimensions: **SJ2000** for EX510 Gateway Type Serial Transmission System

SS5J2-60S6B□D-StationsU(S, R, RS)

*1 Height to manual override
 Push type manual override: 40.3
 Locking type manual override: 40.5



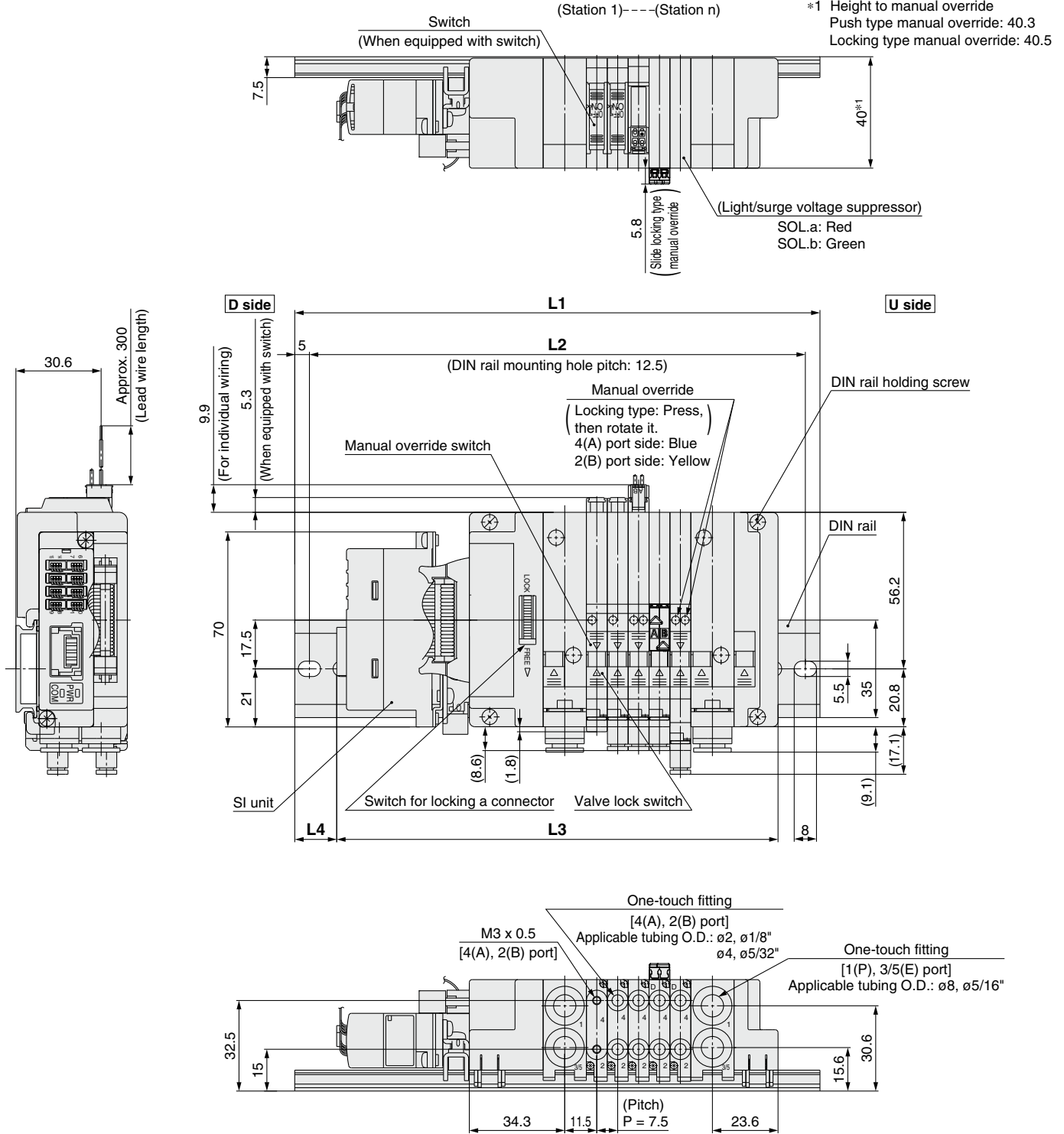
* Refer to page 67 for the external pilot specifications and page 59 for the dimensions of the manifold with elbow fittings. Refer to the **Web Catalog** for details on the SI unit.

L: Dimensions

L \ n	n: Stations															
	1	2	3	4	5	6	7	8	9	10	11	12	13	14	15	16
L1	148	148	160.5	160.5	173	185.5	185.5	198	198	210.5	223	223	235.5	248	248	260.5
L2	137.5	137.5	150	150	162.5	175	175	187.5	187.5	200	212.5	212.5	225	237.5	237.5	250
L3	112.9	120.4	127.9	135.4	142.9	150.4	157.9	165.4	172.9	180.4	187.9	195.4	202.9	210.4	217.9	225.4
L4	17.5	14	16.5	12.5	15	17.5	14	16.5	12.5	15	17.5	14	16.5	19	15	17.5

Dimensions: **SJ2000** for EX510 Gateway Type Serial Transmission System

SS5J2-60S6B □ D-Stations B-□



* Refer to page 68 for the external pilot specifications and page 59 for the dimensions of the manifold with elbow fittings. Refer to the **Web Catalog** for details on the SI unit.

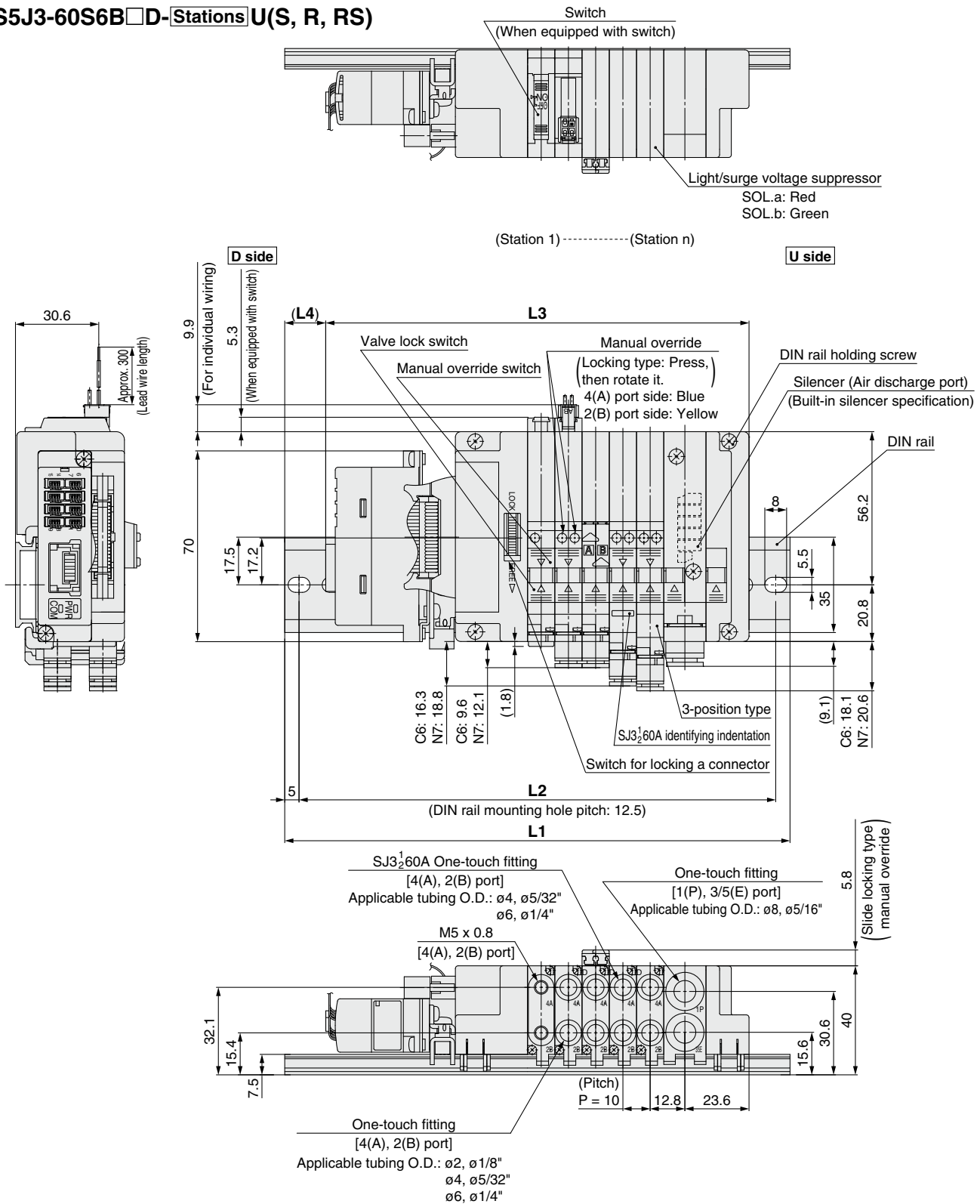
L: Dimensions

L	n: Stations															
	1	2	3	4	5	6	7	8	9	10	11	12	13	14	15	16
L1	160.5	160.5	173	185.5	185.5	198	198	210.5	223	223	235.5	248	248	260.5	260.5	273
L2	150	150	162.5	175	175	187.5	187.5	200	212.5	212.5	225	237.5	237.5	250	250	262.5
L3	128.4	135.9	143.4	150.9	158.4	165.9	173.4	180.9	188.4	195.9	203.4	210.9	218.4	225.9	233.4	240.9
L4	16	12.5	15	17.5	13.5	16	12.5	15	17.5	13.5	16	18.5	15	17.5	13.5	16

SJ1000/2000/3000 Series

Dimensions: **SJ3000** for EX510 Gateway Type Serial Transmission System

SS5J3-60S6B□D-StationsU(S, R, RS)



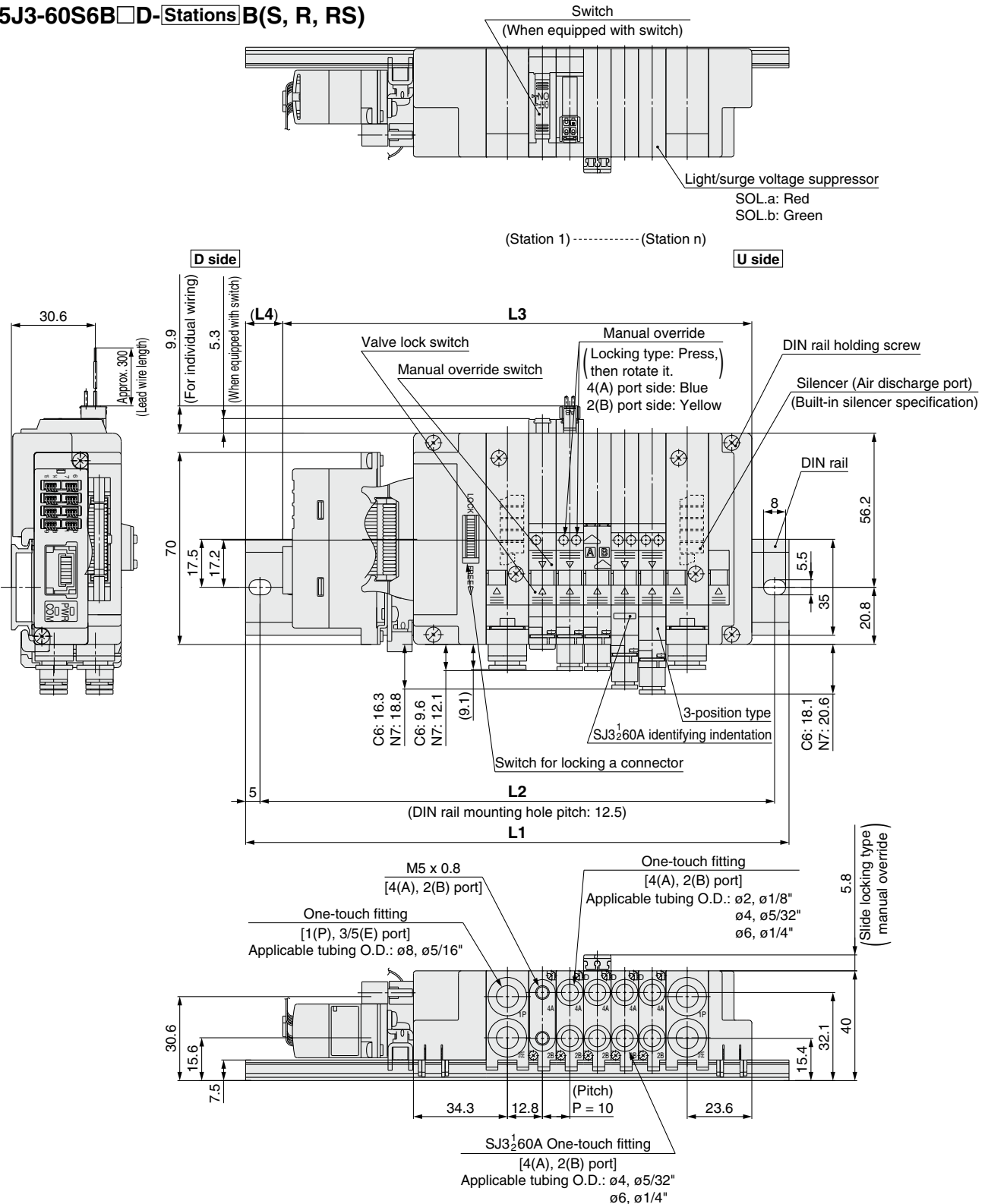
* Refer to page 69 for the external pilot specifications and page 60 for the dimensions of the manifold with elbow fittings. Refer to the **Web Catalog** for details on the SI unit.

L: Dimensions

L \ n	n: Stations															
	1	2	3	4	5	6	7	8	9	10	11	12	13	14	15	16
L1	148	160.5	160.5	173	185.5	198	210.5	210.5	223	235.5	248	260.5	273	273	285.5	298
L2	137.5	150	150	162.5	175	187.5	200	200	212.5	225	237.5	250	262.5	262.5	275	287.5
L3	115.4	125.4	135.4	145.4	155.4	165.4	175.4	185.4	195.4	205.4	215.4	225.4	235.4	245.4	255.4	265.4
L4	16.5	17.5	12.5	14	15	16.5	17.5	12.5	14	15	16.5	17.5	19	14	15	16.5

Dimensions: **SJ3000** for EX510 Gateway Type Serial Transmission System

SS5J3-60S6B□D-StationsB(S, R, RS)



* Refer to page 70 for the external pilot specifications and page 60 for the dimensions of the manifold with elbow fittings. Refer to the **Web Catalog** for details on the SI unit.

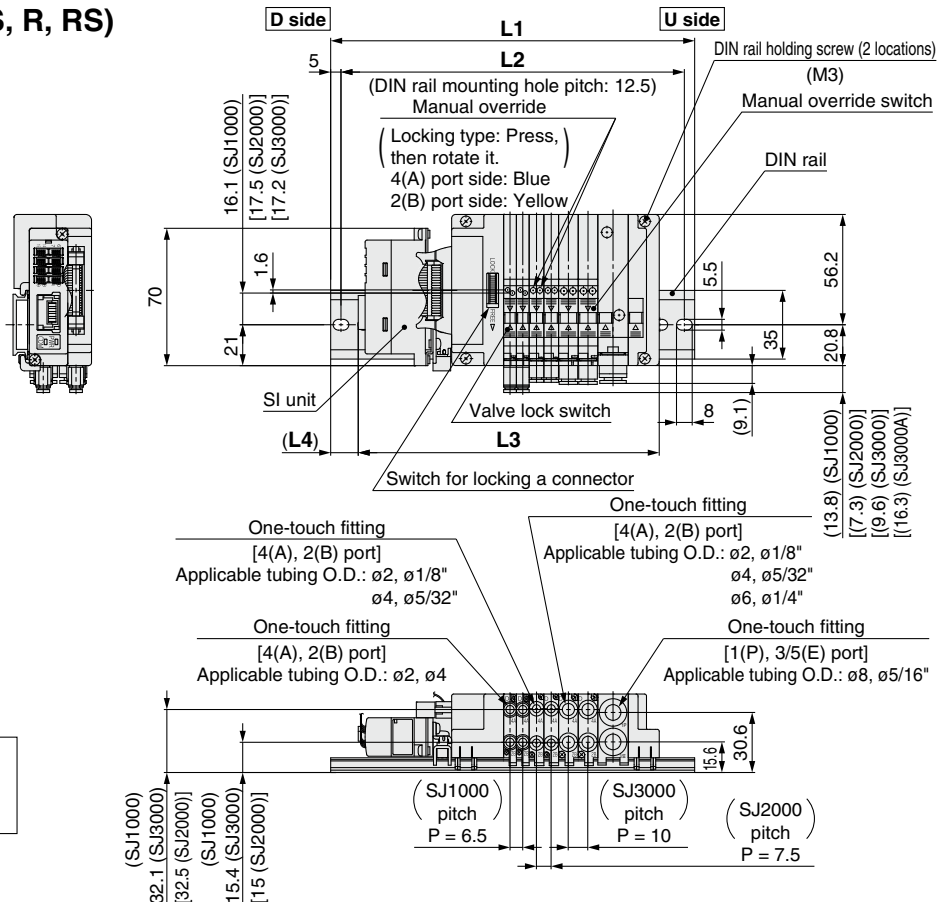
L: Dimensions

L \ n	n: Stations															
	1	2	3	4	5	6	7	8	9	10	11	12	13	14	15	16
L1	160.5	173	185.5	185.5	198	210.5	223	235.5	248	248	260.5	273	285.5	298	298	310.5
L2	150	162.5	175	175	187.5	200	212.5	225	237.5	237.5	250	262.5	275	287.5	287.5	300
L3	130.9	140.9	150.9	160.9	170.9	180.9	190.9	200.9	210.9	220.9	230.9	240.9	250.9	260.9	260.9	280.9
L4	15	16	17.5	12.5	13.5	15	16	17.5	18.5	13.5	15	16	17.5	18.5	13.5	15

SJ1000/2000/3000 Series

Dimensions: SJ1000/2000/3000 Mixed Manifold for EX510 Gateway Type Serial Transmission System

SS5J3-M60S6B□D-[Stations]U(S, R, RS)

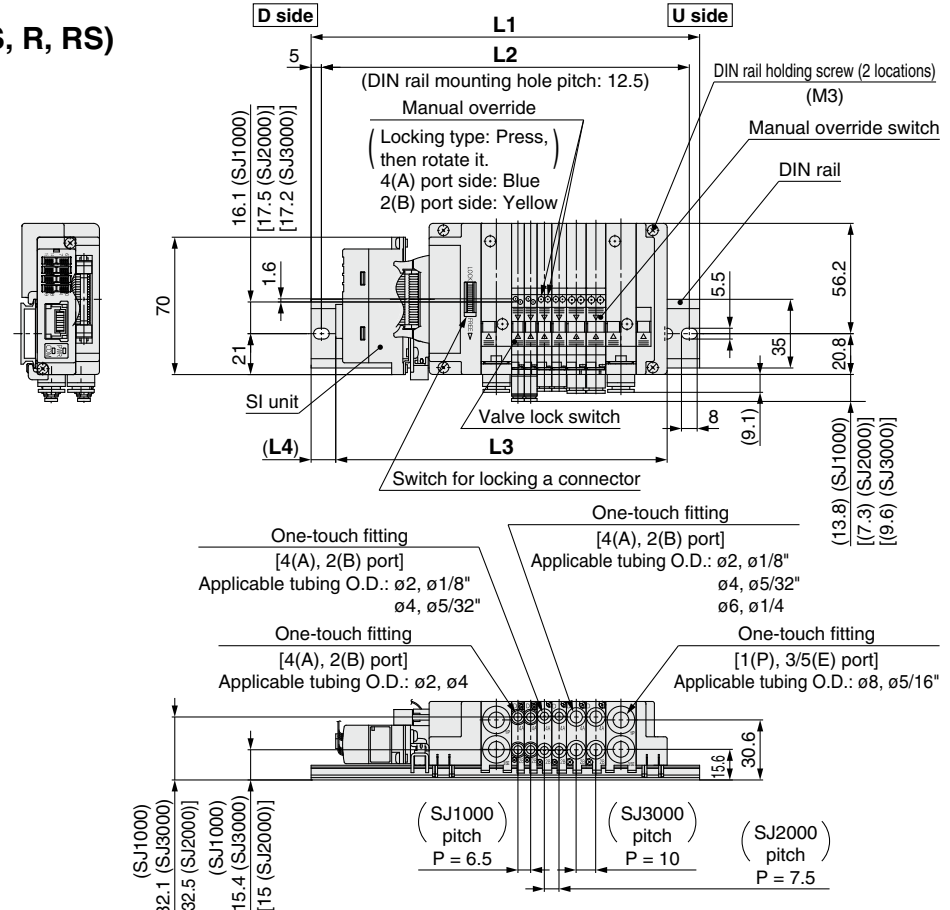


L dimension: Formula, L1 to L4
 $L3 = 6.5 \times n1 + 7.5 \times n2 + 10 \times n3 + 105.4$
 $M = (L3 + 4) / 12.5 + 1$
 Decimal fractions are truncated.
 $L1 = M \times 12.5 + 23$
 $L2 = L1 - 10.5$
 $L4 = (L1 - L3) / 2 - 2$

n1 = Number of SJ1000
 n2 = Number of SJ2000
 n3 = Number of SJ3000

* The dimensions of L1 to L4 for SS5J3-M60S6B□D-[Stations]D are the same as those of SS5J3-M60S6B□D-[Stations]U.

SS5J3-M60S6B□D-[Stations]B(S, R, RS)



L dimension: Formula, L1 to L4
 $L3 = 6.5 \times n1 + 7.5 \times n2 + 10 \times n3 + 120.9$
 $M = (L3 + 4) / 12.5 + 1$
 Decimal fractions are truncated.
 $L1 = M \times 12.5 + 23$
 $L2 = L1 - 10.5$
 $L4 = (L1 - L3) / 2 - 2$

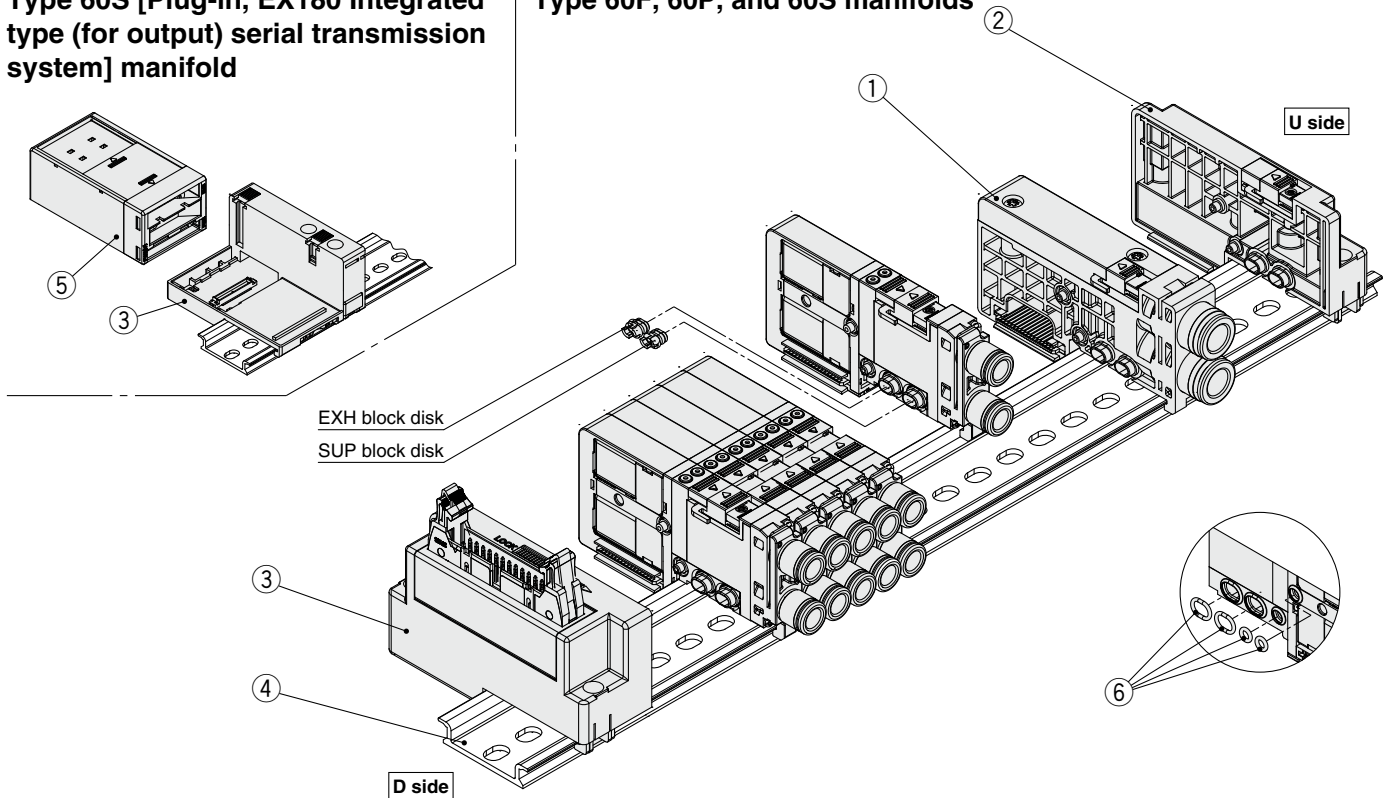
n1 = Number of SJ1000
 n2 = Number of SJ2000
 n3 = Number of SJ3000

SJ1000/2000/3000/4000 Series Manifold Exploded View

SJ1000/2000/3000 Connector Type

Type 60S [Plug-in, EX180 Integrated type (for output) serial transmission system] manifold

Type 60F, 60P, and 60S manifolds



Component Parts: Plug-in (Connector Type)

No.	Description	Part no.	Note
1	Internal pilot	SJ3000-50-1A-□□	(Metric size) C6: With ø6 One-touch fitting (straight) C8: With ø8 One-touch fitting (straight) L6: With ø6 One-touch fitting (elbow upward entry) L8: With ø8 One-touch fitting (elbow upward entry) B6: With ø6 One-touch fitting (elbow downward entry) B8: With ø8 One-touch fitting (elbow downward entry)
	Internal pilot, Built-in silencer	SJ3000-50-1AS-□□	
	External pilot	SJ3000-50-1AR-□□ (X, PE port: Metric size ø4 Inch size ø5/32")	
	External pilot, Built-in silencer	SJ3000-50-1ARS-□□ (X port: Metric size ø4 Inch size ø5/32")	
	For different pressures, Internal pilot* ¹	SJ3000-50-3A-□□	
	For different pressures, Internal pilot, Built-in silencer* ¹	SJ3000-50-3AS-□□	
2	End block	SJ3000-53-1A	For the U side
3	Connector block	SJ3000-42-□A-□	Refer to the connector block part nos. shown below.
4	DIN rail	VZ1000-11-1-□	Refer to page 106.
5	SI unit	EX180-□□	Refer to the SI unit part nos. on page 61.
6	O-ring for valve connection* ²	SJ3000-96-1A	The part no. shown on the left includes parts for 5 units. (10 pcs. each for the P and E ports and for the X and PE ports)

*1 As the valves cannot be operated only with the SUP/EXH block for different pressures, select them in combination with the SUP/EXH block for internal/external pilot.

*2 Included with valves, SUP/EXH block, and connector block

* Refer to page 103 for the SUP/EXH block disk and method of handling parts at different pressures.

Connector Block Part Nos.

Connector specifications	Mounting position	Part no.	Note
For D-sub connector (Locking bracket: Metric size thread)	D side	SJ3000-42-1A-□	□: 1 (Connector upward) □: 2 (Connector lateral)
For D-sub connector (Locking bracket: Unified thread)		SJ3000-42-1AU-□	
For flat ribbon cable 26 pins		SJ3000-42-2A-□	
For flat ribbon cable 20 pins		SJ3000-42-3A-□	
For flat ribbon cable 10 pins		SJ3000-42-4A-□	
For EX180 serial wiring* ¹		SJ3000-42-20A	
For EX510 serial wiring* ¹		SJ3000-42-3A-2	

*1 An SI unit is not included.

Connector Block with SI Unit

Connector block with EX180 serial wiring	D side	SJ3000-42-20A-□□	For details on the □□ portion, refer to the SI unit part nos. on page 61. Example: SJ3000-42-20A-V2 (CC-Link compliant, T-branch type)
--	--------	------------------	---

SJ
1000
2000
3000
4000

Common
Specifications

Construction

Plug-in

D-sub
Flat Ribbon

EX180

EX510

Non
Plug-in

Individual
Wiring

Manifold
Options

Made to
Order

SJ3A6

Common Spec.
Construction

Plug-in

D-sub
Flat Ribbon
Serial

Non
Plug-in

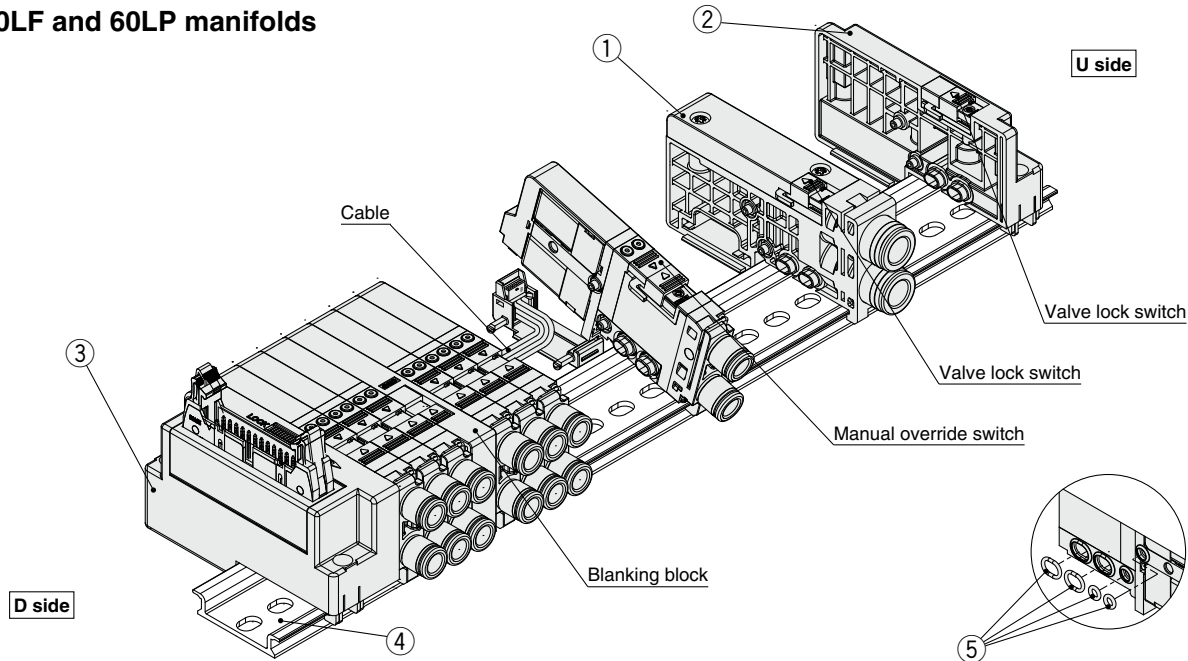
Individual
Wiring

Specific Product
Precautions

SJ1000/2000/3000/4000 Series

SJ1000/2000/3000 Cable Type

Type 60LF and 60LP manifolds



Component Parts: Plug-in (Cable Type)

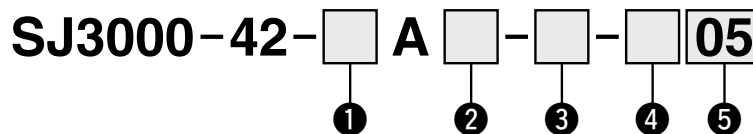
No.	Description	Part no.	Note
1	Internal pilot	SJ3000-50-5A-□□	(Metric size) C6: With ø6 One-touch fitting (straight) C8: With ø8 One-touch fitting (straight) L6: With ø6 One-touch fitting (elbow upward entry) L8: With ø8 One-touch fitting (elbow upward entry) B6: With ø6 One-touch fitting (elbow downward entry) B8: With ø8 One-touch fitting (elbow downward entry) (Inch size) N7: With 1/4" One-touch fitting (straight) N9: With 5/16" One-touch fitting (straight)
	Internal pilot, Built-in silencer	SJ3000-50-5AS-□□	
	External pilot	SJ3000-50-5AR-□□ (X, PE port: Metric size ø4 Inch size ø5/32")	
	External pilot, Built-in silencer	SJ3000-50-5ARS-□□ (X port: Metric size ø4 Inch size ø5/32")	
	For different pressures, Internal pilot*1	SJ3000-50-6A-□□	
	For different pressures, Internal pilot, Built-in silencer*1	SJ3000-50-6AS-□□	
2	End block	SJ3000-53-1A	For the U side
3	Connector block	SJ3000-42-□□A-□□	Refer to the connector block part nos. shown below.
4	DIN rail	VZ1000-11-1-□	Refer to page 106.
5	O-ring for valve connection*2	SJ3000-96-1A	The part no. shown on the left includes parts for 5 units. (10 pcs. each for the P and E ports and for the X and PE ports)

*1 As the valves cannot be operated only with the SUP/EXH block for different pressures, select them in combination with the SUP/EXH block for internal/external pilot.

*2 Included with valves, SUP/EXH block, and connector block

* Refer to page 103 for the SUP/EXH block disk and method of handling parts at different pressures.

●Connector Block



① Connector type

No.	Description	Series
7	For D-sub connector	SJ3000 series
8	For flat ribbon cable 26 pins	
9	For flat ribbon cable 20 pins	
10	For flat ribbon cable 10 pins	SJ2000 series
11	For D-sub connector	
12	For flat ribbon cable 26 pins	
13	For flat ribbon cable 20 pins	
14	For flat ribbon cable 10 pins	

* All connector block mounting positions are on the D side.

* The connector block includes the cables necessary for the number of stations.

② Locking bracket

Nil	Metric size thread
U	Unified thread

* D-sub connector only

③ Connector entry direction

1	Upward
2	Lateral

④ Wiring

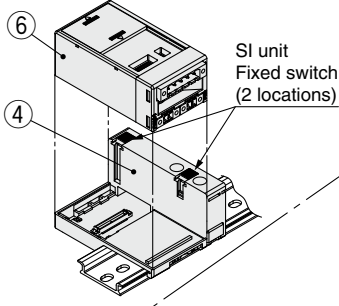
Nil	All double wiring
S	All single wiring

⑤ Valve stations

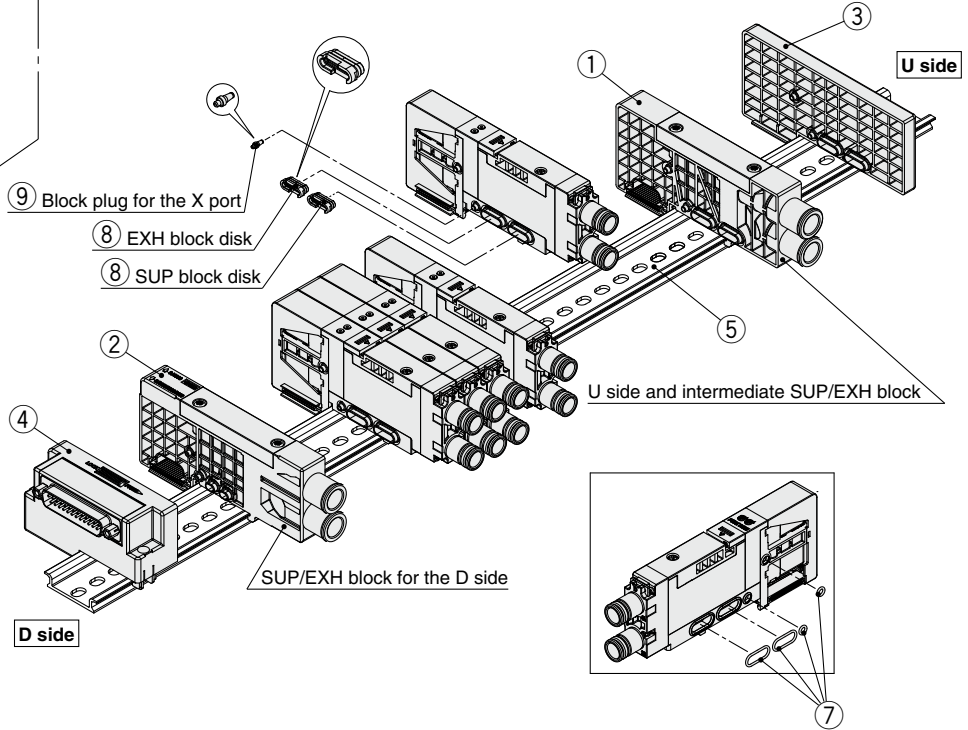
Valve stations	Description	Wiring
02 to 10	For D-sub connector	All double wiring
02 to 20		All single wiring
02 to 10	For flat ribbon cable 26 pins	All double wiring
02 to 20		All single wiring
02 to 09	For flat ribbon cable 20 pins	All double wiring
02 to 18		All single wiring
02 to 04	For flat ribbon cable 10 pins	All double wiring
02 to 08		All single wiring

SJ4000 Connector Type

Type 60S (Plug-in, EX180 Integrated type (for output) serial transmission system) manifold



Type 60F, 60P, and 60S manifolds



Component Parts: Plug-in (Connector Type)

No.	Description	Part no.	Note
1	SUP/EXH block (For the U side and intermediate)	Internal pilot SJ4000-50-1A-□□	(Metric size) C8 : With ø8 One-touch fitting (straight) C10: With ø10 One-touch fitting (straight)
	Internal pilot, Built-in silencer SJ4000-50-1AS-□□		
	External pilot SJ4000-50-1AR-□□ (X, PE port: Metric size ø4)		
2	SUP/EXH block (For the D side)	Internal pilot SJ4000-50-2A-□□	(Metric size) C8 : With ø8 One-touch fitting (straight) C10: With ø10 One-touch fitting (straight) 00: P, E port plug (Excludes the built-in silencer) * This block is used as the D-side SUP/EXH block of the SJ4000 and converter block for SJ1000/2000/3000 valve.
	Internal pilot, Built-in silencer SJ4000-50-2AS-□□		
	External pilot SJ4000-50-2AR-□□		
3	End block	SJ4000-53-1A	For the U side
4	Connector block	SJ3000-42-□A-□	Refer to the connector block part nos. shown below.
5	DIN rail	VZ1000-11-1-□	Refer to page 106.
6	SI unit	EX180-□□	Refer to the SI unit part nos. on page 61.
7	Seal for valve connection (For the SJ4000)*1	SJ4000-96-1A	The part no. shown on the left includes parts for 5 units. (10 pcs. each for the P and E ports and for the X and PE ports)
8	Block disk (For the SJ4000)	SJ4000-44-1A	Supplied individually (For the P and E ports)
9	Block plug (For the SJ4000)	SJ4000-44-2A	The part no. shown on the left includes parts for 5 units. (5 pcs. for the X port)

*1 Included with valves, SUP/EXH block, and connector block

* SJ4000 series has no setting of the internal pilot specification SUP/EXH block for different pressures. Different pressure specifications are available by partitioning P, E port and attaching a block plug to the X port. (Refer to the pneumatic circuit diagrams on page 104.)

Connector Block Part Nos.

Connector specifications	Mounting position	Part no.	Note
For D-sub connector (Locking bracket: Metric size thread)	D side	SJ3000-42-1A-□	□: 1 (Connector upward) □: 2 (Connector lateral)
For D-sub connector (Locking bracket: Unified thread)		SJ3000-42-1AU-□	
For flat ribbon cable 26 pins		SJ3000-42-2A-□	
For flat ribbon cable 20 pins		SJ3000-42-3A-□	
For flat ribbon cable 10 pins		SJ3000-42-4A-□	
For EX180 serial wiring*1		SJ3000-42-20A	

*1 An SI unit is not included.

Connector Block with SI Unit

Connector block with EX180 serial wiring	D side	SJ3000-42-20A-□□	For details on the □□ portion, refer to the SI unit part nos. on page 61. Example: SJ3000-42-20A-V2 (CC-Link compliant, T-branch type)
--	--------	-------------------------	--

SJ
1000
2000
3000
4000

Common
Specifications

Construction

Plug-in

D-sub
Flat Ribbon

EX180

EX510

Non
Plug-in

Individual
Wiring

Manifold
Options

Made to
Order

SJ3A6

Common Spec.
Construction

Plug-in

D-sub
Flat Ribbon
Serial

Non
Plug-in

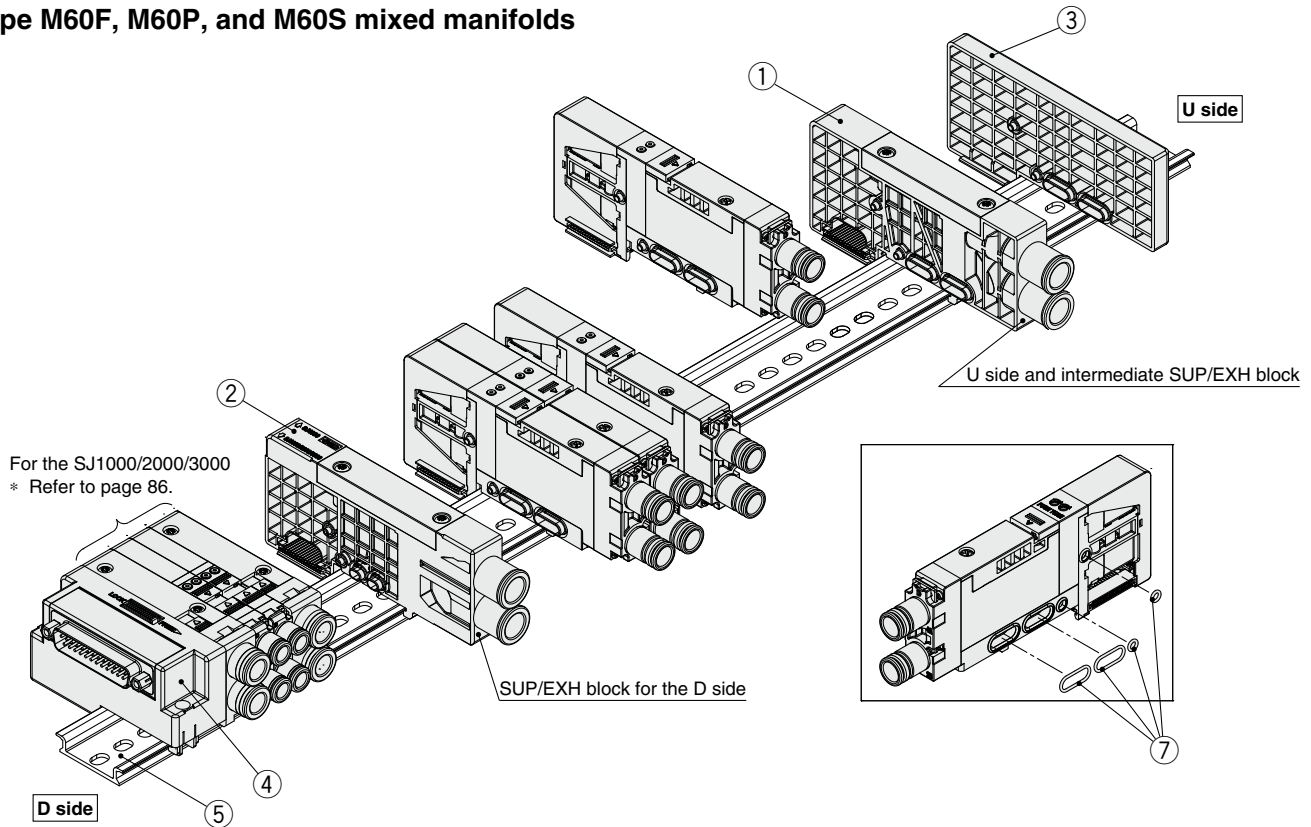
Individual
Wiring

Specific Product
Precautions

SJ1000/2000/3000/4000 Series Manifold Exploded View (Mixed Specification)

Connector Type

Type M60F, M60P, and M60S mixed manifolds



Component Parts: Plug-in (Connector Type)

No.	Description	Part no.	Note
1	SUP/EXH block (For the U side and intermediate)	Internal pilot	SJ4000-50-1A-□□
		Internal pilot, Built-in silencer	SJ4000-50-1AS-□□
		External pilot	SJ4000-50-1AR-□□ (X, PE port: Metric size ø4)
2	SUP/EXH block (For the D side)	Internal pilot	SJ4000-50-2A-□□
		Internal pilot, Built-in silencer	SJ4000-50-2AS-□□
		External pilot	SJ4000-50-2AR-□□
3	End block	SJ4000-53-1A	(Metric size) C8 : With ø8 One-touch fitting (straight) C10: With ø10 One-touch fitting (straight)
4	Connector block	SJ3000-42-□A-□	For the U side
5	DIN rail	VZ1000-11-1-□	Refer to the connector block part nos. shown below.
6	SI unit	EX180-□□	Refer to page 106.
7	Seal for valve connection (For the SJ4000)*1	SJ4000-96-1A	Refer to the SI unit part nos. on page 61.
			The part no. shown on the left includes parts for 5 units. (10 pcs. each for the P and E ports and for the X and PE ports)

*1 Included with valves, SUP/EXH block, and connector block

* Contact SMC when using SJ4000 mixed type (SS5J4-M60 type) under different pressures.

Connector Block Part Nos.

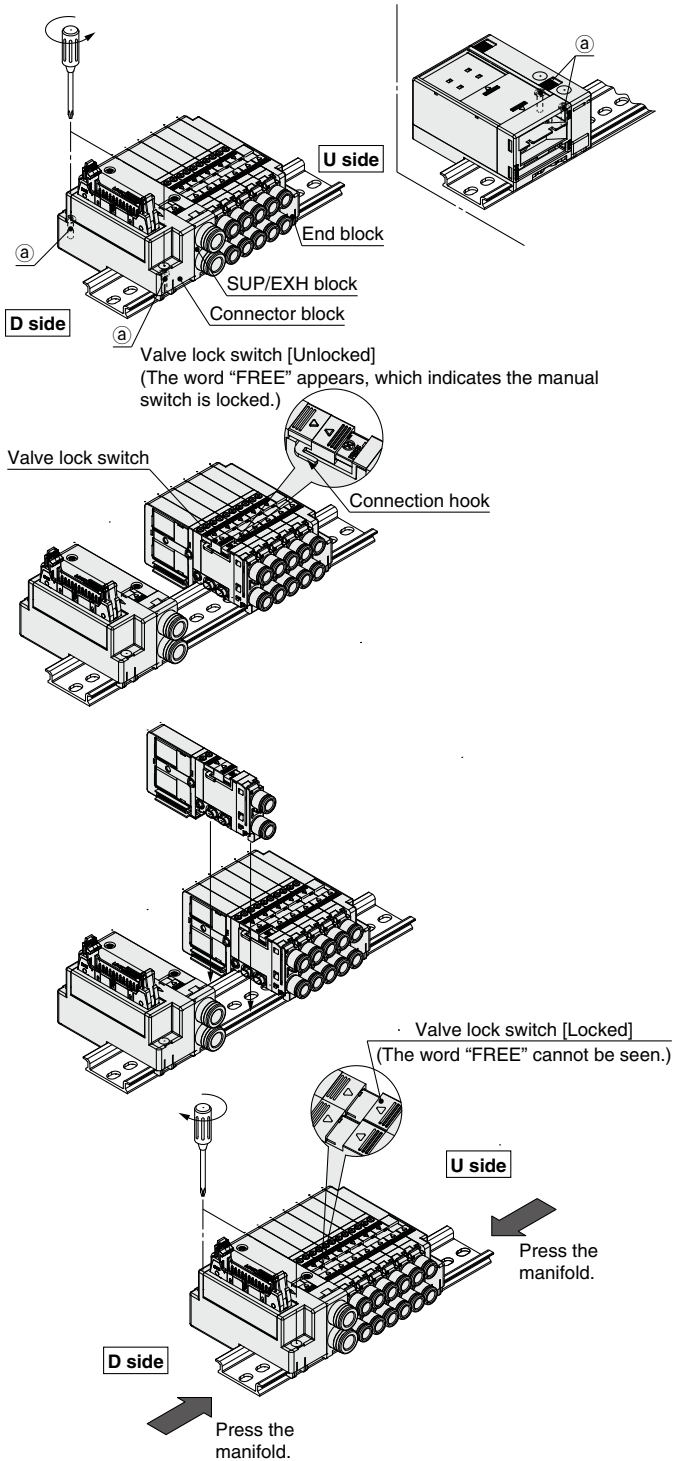
Connector specifications	Mounting position	Part no.	Note
For D-sub connector (Locking bracket: Metric size thread)	D side	SJ3000-42-1A-□	□: 1 (Connector upward) □: 2 (Connector lateral)
For D-sub connector (Locking bracket: Unified thread)		SJ3000-42-1AU-□	
For flat ribbon cable 26 pins		SJ3000-42-2A-□	
For flat ribbon cable 20 pins		SJ3000-42-3A-□	
For flat ribbon cable 10 pins		SJ3000-42-4A-□	
For EX180 serial wiring*1		SJ3000-42-20A	
For EX510 serial wiring*1		SJ3000-42-3A-2	

*1 An SI unit is not included.

Connector Block with SI Unit

Connector block with EX180 serial wiring	D side	SJ3000-42-20A-□□	For details on the □□ portion, refer to the SI unit part nos. on page 61. Example: SJ3000-42-20A-V2 (CC-Link compliant, T-branch type)
--	--------	------------------	---

Connector Type

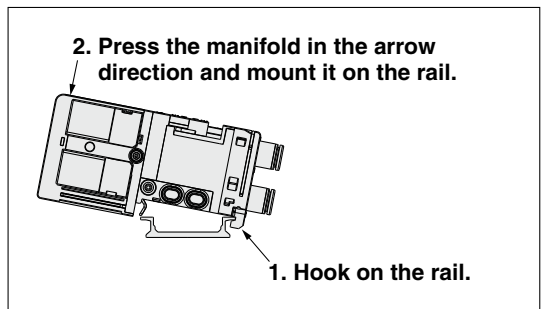


1 Loosen threads (a), which are fixed onto the DIN rail (two locations on one side).

2 In the direction of the coil, slide the valve where the station is desired to add and the valve lock switch on each block.

(If blocks are removed without completely releasing the valve lock switch, the connection hook of that switch could be damaged or deformed.)

3 Install an additional valve or a SUP/EXH block on the DIN rail.



A manifold equipped with a valve or a block can be mounted on the DIN rail. However, a serial connector block cannot be mounted on the DIN rail when it is connected with another block; the serial connector block must be mounted separately.

4 Press the valves and blocks to each other for connection. Press the valve lock switch in the cylinder port direction until it does not go any further. Fasten threads (a) onto the DIN rail.

(After fixing the connector block, fasten the threads onto the end block while holding it lightly by hand. This is necessary to improve sealing.)

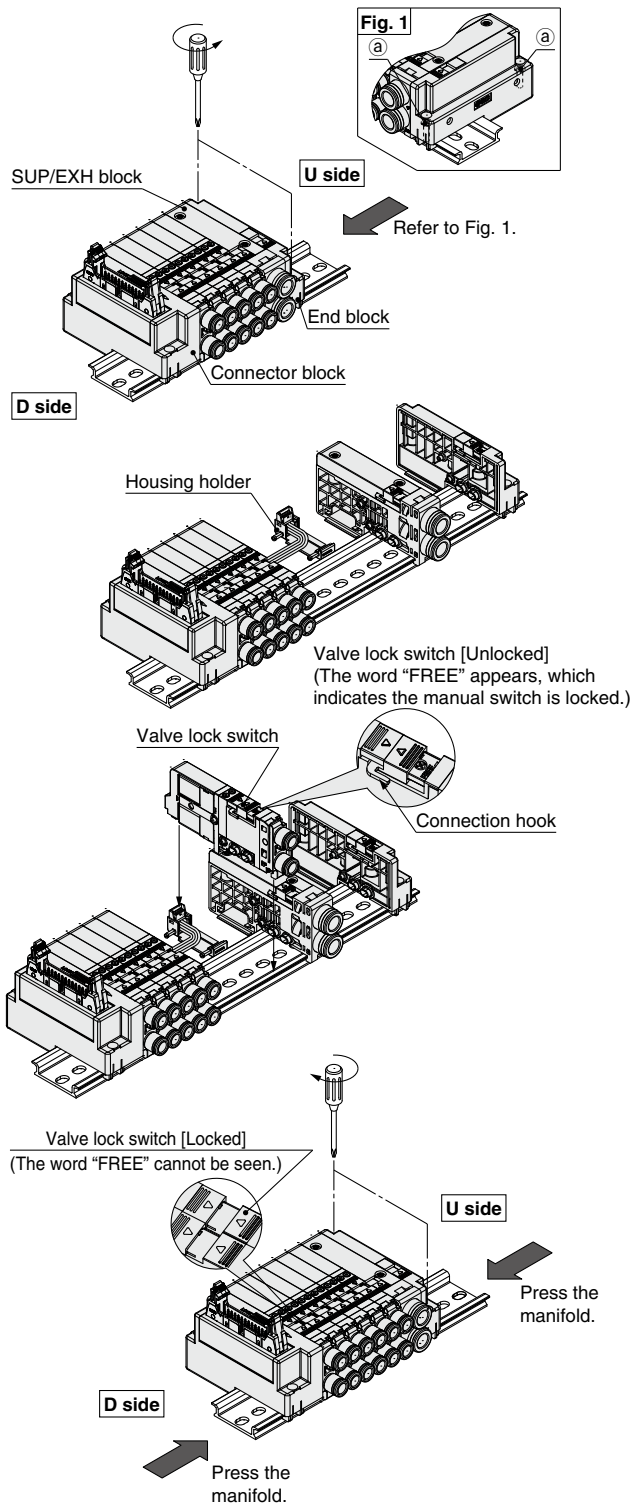
Caution (D-sub, Connector block for flat ribbon cable, End block M3: 0.6 N·m
Connector block for EX180 serial wiring M4: 1.4 N·m
Mounting bracket for EX510 serial wiring M4: 0.6 N·m)

Caution

- Be sure to turn off the power and stop the supply of air before disassembly. Furthermore, since air may remain inside the actuator, piping, and manifold, confirm that the air is completely exhausted before performing any work.
- After assembly and disassembly, air leakage could occur if blocks are not well connected or a thread is not tightly fastened onto the end block. Before supplying air, make sure that no gaps exist in between blocks and that the valve and block are tightly fastened onto the DIN rail. Also, make sure that air is not leaking before use.
- For the SJ3A6 series manifold with vacuum release valve with restrictor, there is no valve lock switch for connecting, so when mounting, tighten the screws after checking that there are no gaps between valves.

SJ1000/2000/3000 Series

Cable Type



⚠ Caution

To increase a manifold station, a housing holder (refer to the table below) is required in addition to the solenoid valve.

For the manifold with less than the max. number of stations, spare housing (for one station) for adding the manifold station is stored in the housing holder of the last station or the SUP/EXH block. To increase a manifold station, follow the steps below to disassemble and reassemble the manifold.

Series	Housing holder part no.	Material	Note
SJ2000	SJ2000-86-1	Resin	White
SJ3000	SJ3000-86-1		

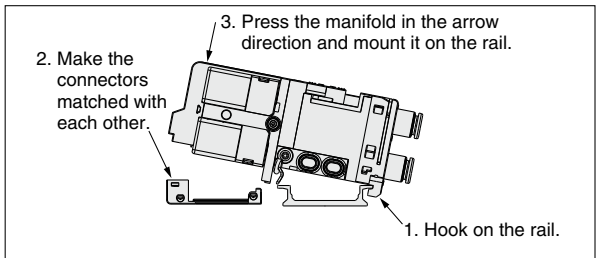
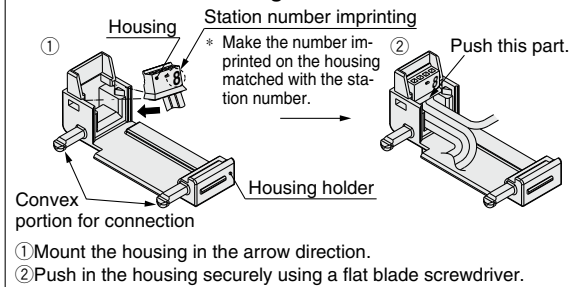
1 Loosen threads ①, which are fixed onto the DIN rail (two locations).

[* To replace the DIN rail, also loosen the screws (2 locations) on the connector block.]

2 Slide the valve lock switch on each block toward the coil, and then remove the end block and SUP/EXH block.

3 Take out the stored housing for adding the manifold station and assemble it to a newly added housing holder. Insert this housing holder next to the current housing holder.

How to mount the housing



4 Press the valves and blocks to each other for connection. Press the valve lock switch in the cylinder port direction until it does not go any further. Fasten threads ① onto the DIN rail. Connect the added valve and SUP/EXH block, and then fasten the DIN rail fixing screws on the end block on the U side.

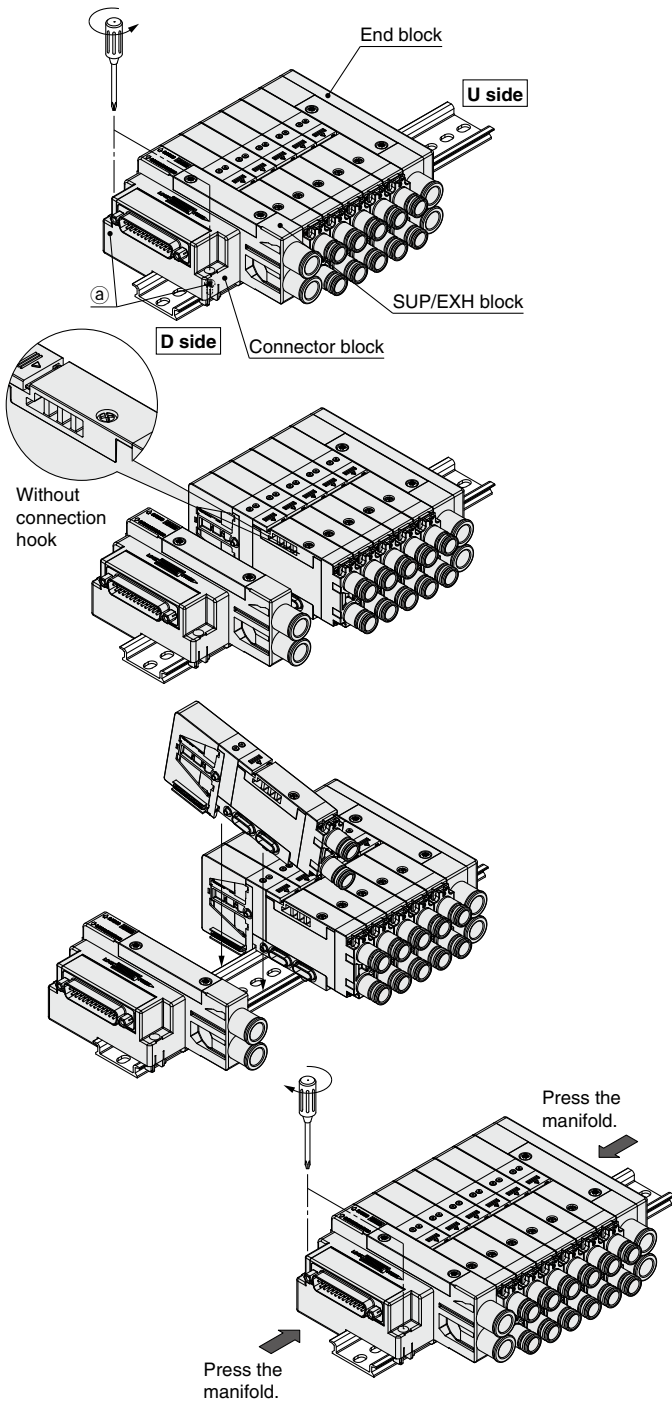
(After fixing the connector block, fasten the threads onto the end block while holding it lightly by hand. This is necessary to improve sealing.)

⚠ Caution D-sub, Connector block for flat ribbon cable, End block M3: 0.6 N-m

⚠ Caution

- When adding a valve and SUP/EXH block, add the valve to the U side of the last station, and then add the SUP/EXH block to its U side. The SUP/EXH block cannot be added to a position adjacent to the connector block or an intermediate position.
- Be sure to turn off the power and stop the supply of air before disassembly. Furthermore, since air may remain inside the actuator, piping, and manifold, confirm that the air is completely exhausted before performing any work.
- After assembly and disassembly, air leakage could occur if blocks are not well connected or a thread is not tightly fastened onto the end block. Before supplying air, make sure that no gaps exist in between blocks and that the valve and block are tightly fastened onto the DIN rail. Also, make sure that air is not leaking before use.
- For the SJ3A6 series manifold with vacuum release valve with restrictor, there is no valve lock switch for connecting, so when mounting, tighten the screws after checking that there are no gaps between valves.

Connector Type

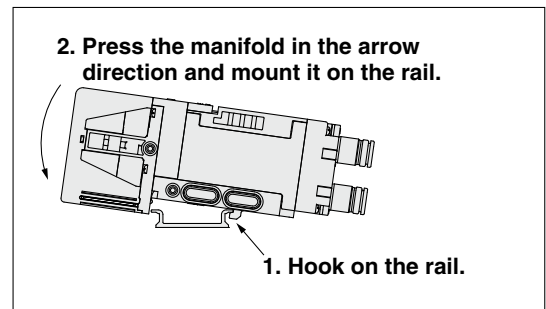


1 Loosen threads (a), which are fixed onto the DIN rail (two locations on one side).

2 In the direction of the coil, slide the valve where the station is desired to add and the valve lock switch on each block.

(If blocks are removed without completely releasing the valve lock switch, the connection hook of that switch could be damaged or deformed.)

3 Install an additional valve or a SUP/EXH block on the DIN rail.



A manifold equipped with a valve or a block can be mounted on the DIN rail. However, a serial connector block cannot be mounted on the DIN rail when it is connected with another block; the serial connector block must be mounted separately.

4 Press the valves and blocks to each other for connection. Press the valve lock switch in the cylinder port direction until it does not go any further. Fasten threads (a) onto the DIN rail.

(After fixing the connector block, fasten the threads onto the end block while holding it lightly by hand. This is necessary to improve sealing.)

Caution (D-sub, Connector block for flat ribbon cable, End block M3: 0.6 N·m
Connector block for EX180 serial wiring M4: 1.4 N·m
Mounting bracket for EX510 serial wiring M4: 0.6 N·m)

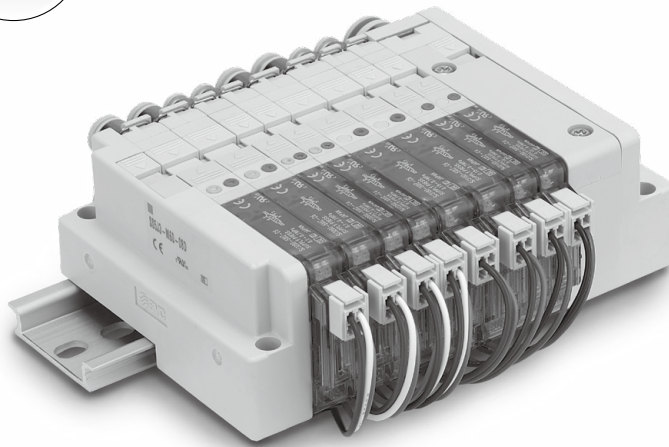
Caution

1. Be sure to turn off the power and stop the supply of air before disassembly. Furthermore, since air may remain inside the actuator, piping, and manifold, confirm that the air is completely exhausted before performing any work.
2. After assembly and disassembly, air leakage could occur if blocks are not well connected or a thread is not tightly fastened onto the end block. Before supplying air, make sure that no gaps exist in between blocks and that the valve and block are tightly fastened onto the DIN rail. Also, make sure that air is not leaking before use.

Non Plug-in Individual Wiring Manifold

SJ2000/3000 Series

p. 95 Individual Wiring



SJ
1000
2000
3000
4000

Common
Specifications

Construction

Plug-in

D-sub
Flat Ribbon

EX510 EX180

Non
Plug-in

Individual
Wiring

Manifold
Options

Made to
Order

SJ3A6

Common Spec.
Construction

Plug-in

D-sub
Flat Ribbon
Serial

Non
Plug-in

Individual
Wiring

Specific Product
Precautions

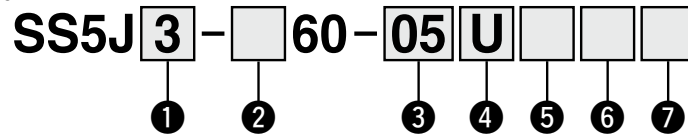
Non Plug-in Individual Wiring

SJ2000/3000 Series

An order cannot be placed with only the manifold part no. Be sure to order solenoid valves for mounting at the same time while referring to the ordering example.

How to Order

Individual wiring manifold



1 Series

2	SJ2000
3	SJ3000 (SJ2000/3000 mixed)

2 Mixed mounting type

Nil	Standard*1
M	Mixed mounting*2

*1 There is no need to enter anything when you operate either the SJ2000 or SJ3000 series alone.

*2 Select "M" when SJ2000 or SJ3000 series valves will be mounted on the same manifold base together.

4 SUP/EXH block mounting position

U	U side
D	D side
B	Both sides
M*1	Special specifications

*1 Specify the required specifications (including port sizes other than ø8) on the manifold specification sheet.

5 Pilot type

Nil	Internal pilot
S	Internal pilot, Built-in silencer
R	External pilot
RS	External pilot, Built-in silencer

* There is no need to enter anything when the SUP/EXH block mounting position "M" is selected.

* The 3/5(E) port is plugged for the built-in silencer type.

3 Valve stations

Symbol	Stations
01	1 station
⋮	⋮
20	20 stations

6 SUP/EXH block fitting specification

Nil	L	B
Straight fitting With external pilot spec. X, PE port: Elbow fitting	Elbow fitting (Upward) With external pilot spec. X, PE port: Straight fitting	Elbow fitting (Downward) With external pilot spec. X, PE port: Elbow fitting

* There is no need to enter anything when the SUP/EXH block mounting position "M" is selected.

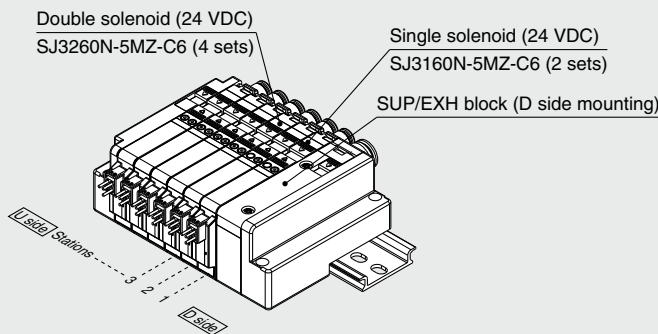
7 DIN rail length specified

Nil	Standard length
2	2 stations Specify a length longer than that of the standard rail.
⋮	⋮
20	20 stations

* Specify the number of valve stations without exceeding the max. number of stations.

How to Order Manifold Assembly

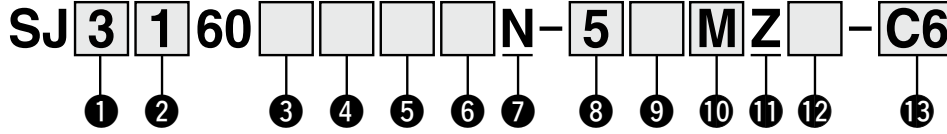
Ordering example (SS5J3-60-□)



SS5J3-60-06D.....1 set (Manifold part no.)
 * SJ3160N-5MZ-C6.....2 sets (Single solenoid part no.)
 * SJ3260N-5MZ-C6.....4 sets (Double solenoid part no.)
 ↳ The asterisk denotes the symbol for the assembly.
 Prefix it to the part numbers of the solenoid valve, etc.

- For the valve arrangement, the valve closest to the D side is considered the 1st station.
- Under the manifold part number, state the valves to be mounted in order starting with the 1st station as shown in the figure. If the arrangement becomes too complicated, specify the details on a manifold specification sheet.

How to Order Solenoid Valves



1 Series

2	SJ2000
3	SJ3000

2 Type of actuation

1	2-position single solenoid
2	2-position double solenoid
3	3-position closed center
4	3-position exhaust center
5	3-position pressure center
A	Dual 3-port valve: N.C./N.C.
B	Dual 3-port valve: N.O./N.O.
C	Dual 3-port valve: N.C./N.O.

* Refer to pages 18 to 21 for the symbol.
* Large flow rate "A" is available only for actuation types "1" and "2".

3

Nil	Standard flow type
A*1	Large flow type

*1 SJ3000 series only

5 Back pressure check valve

Nil	None
K	Built-in

* 3-position and large flow rate "A" solenoid valves are not provided with a back pressure check valve.

4 Pilot type

Nil	Internal pilot
R	External pilot

* External pilot specification is not applicable for 4-position dual 3-port valves.

6 Coil type

Nil	Standard
T	With power-saving circuit (Continuous duty type)

* Be sure to select the power-saving circuit type if the valve is to be continuously energized for long periods of time.

7 Non plug-in

8 Rated voltage

5	24 VDC
6	12 VDC

9 Common specification

Nil	Positive common
N	Negative common

10 Connector entry

<p>M: Individual wiring, With lead wire Length 300 mm</p> <p>Without linkage-printed circuit board</p>	<p>MN: Individual wiring, Without lead wire (With connector, socket)</p> <p>Without linkage-printed circuit board</p>	<p>MO: Individual wiring, Without connector</p> <p>Without linkage-printed circuit board</p>
---	--	---

* When ordering a connector separately, refer to pages 144 and 145.

12 Manual override

<p>Nil: Non-locking push type</p>	<p>D: Push-turn locking slotted type</p>	<p>F: Slide locking type</p>
--	---	---

13 A, B port size

Metric/One-touch fitting

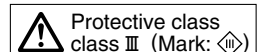
Symbol	A, B port	SJ2000	SJ3000	SJ3000A		
C2 C4 C6	Straight	ø2	●	●	—	
		ø4	●	●	●	
		ø6	—	●	●	
L2 L4 L6 B2 B4 B6	Upward entry	ø2	●	●	—	
		ø4	●	●	●	
		ø6	—	●	●	
	Downward entry	ø2	●	●	—	
		ø4	●	●	●	
		ø6	—	●	●	

Thread piping

Symbol	A, B port	SJ2000	SJ3000	SJ3000A	
M3	M3 x 0.5	●	—	—	
M5	M5 x 0.8	—	●	●	

Inch/One-touch fitting

Symbol	A, B port	SJ2000	SJ3000	SJ3000A		
N1 N3 N7	Straight	ø1/8"	●	●	—	
		ø5/32"	●	●	●	
		ø1/4"	—	●	●	
LN1 LN3 LN7 BN1 BN3 BN7	Downward entry	ø1/8"	●	●	—	
		ø5/32"	●	●	●	
		ø1/4"	—	●	●	
		ø1/8"	●	●	—	
		ø5/32"	●	●	●	
		ø1/4"	—	●	●	



SJ
1000
2000
3000
4000

Common Specifications

Construction

Plug-in

D-sub Flat Ribbon

EX180

EX510

Non Plug-in

Individual Wiring

Manifold Options

Made to Order

SJ3A6

Common Spec. Construction

Plug-in

D-sub Flat Ribbon Serial

Non Plug-in

Individual Wiring

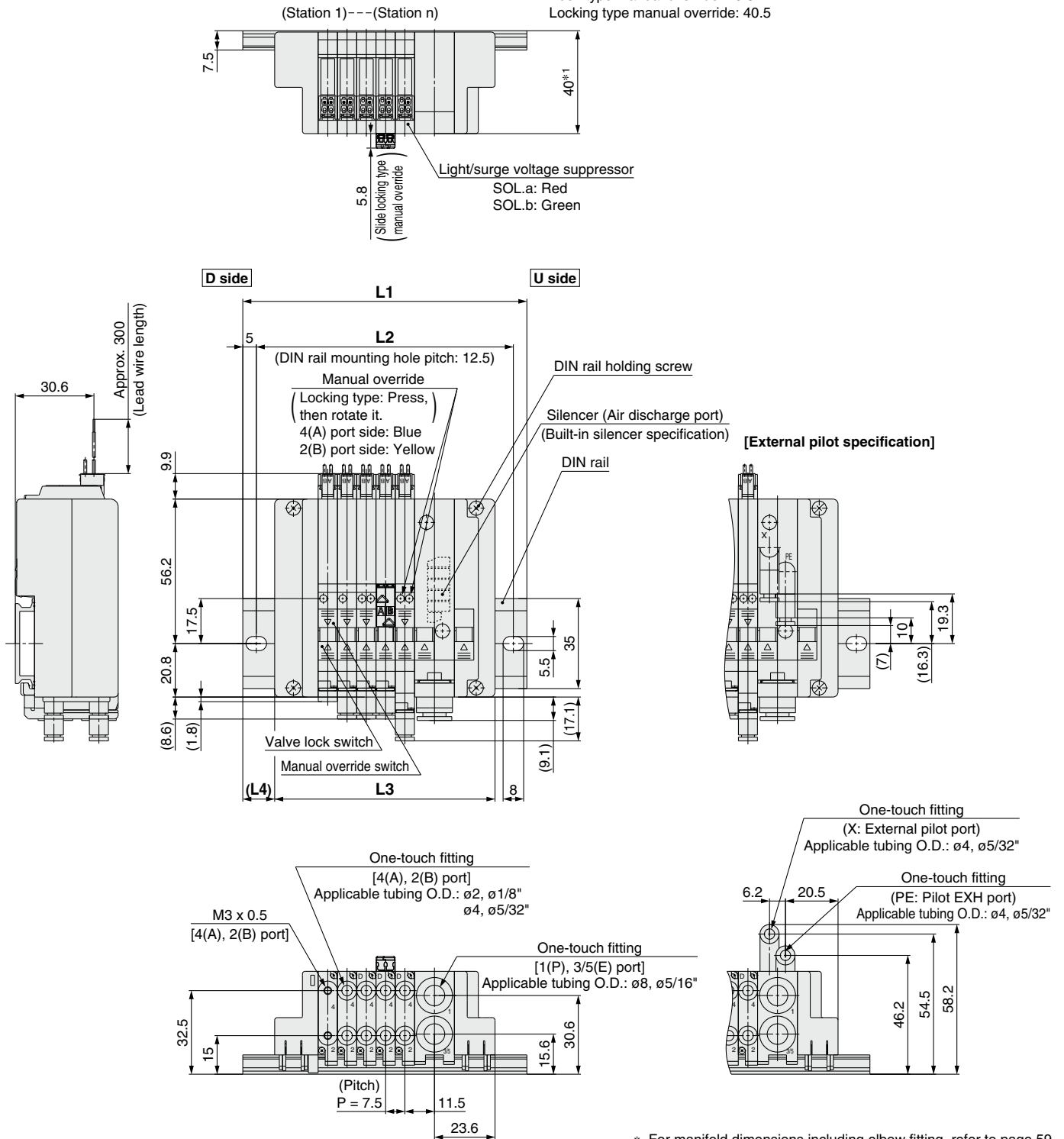
Specific Product Precautions

SJ2000/3000 Series

Dimensions

SS5J2-60-Stations U(S, R, RS)

*1 Height to manual override
 Push type manual override: 40.3
 Locking type manual override: 40.5



* For manifold dimensions including elbow fitting, refer to page 59.

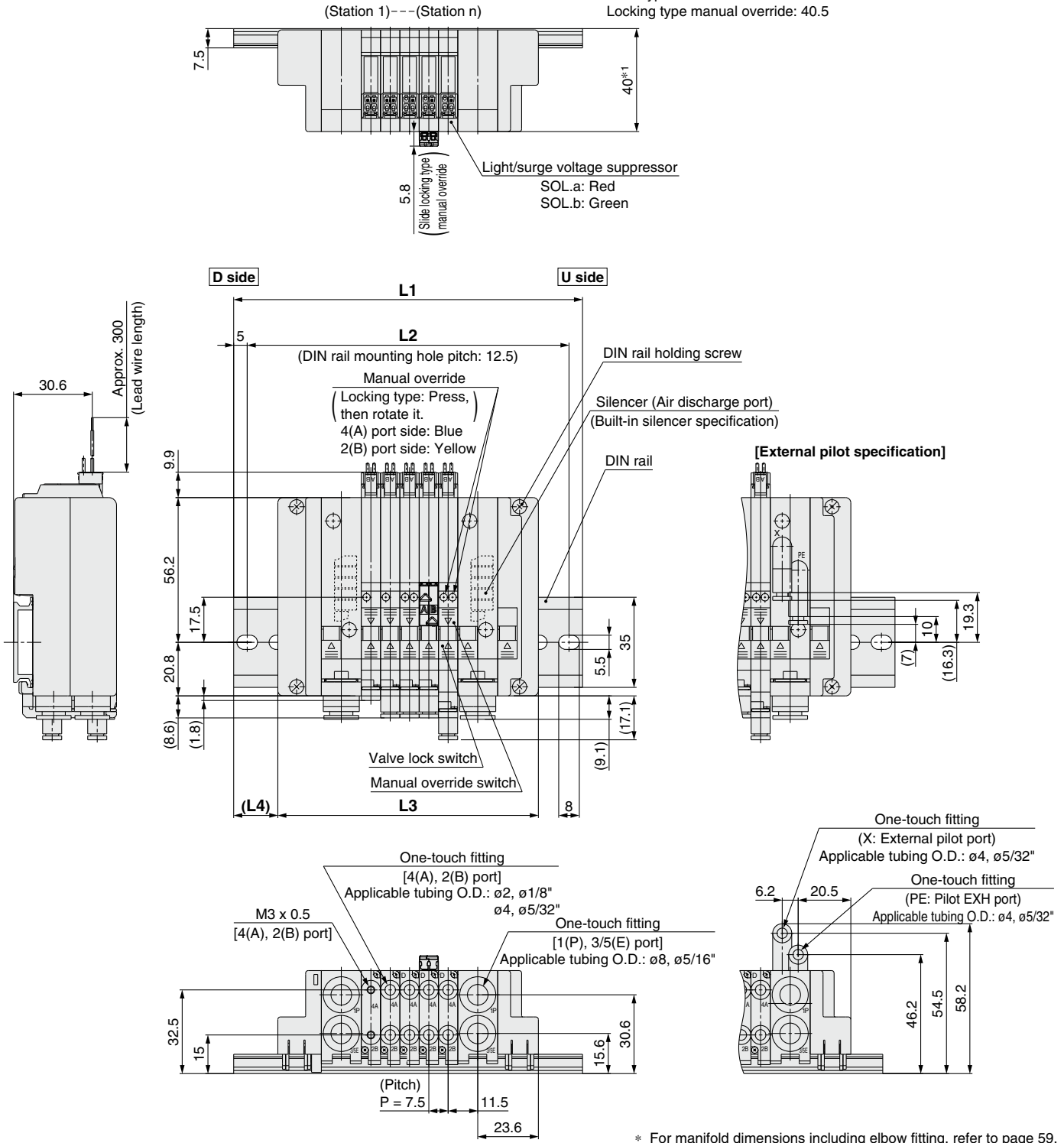
L: Dimensions

L \ n	n: Stations																			
	1	2	3	4	5	6	7	8	9	10	11	12	13	14	15	16	17	18	19	20
L1	85.5	98	98	110.5	110.5	123	135.5	135.5	148	148	160.5	173	173	185.5	185.5	198	210.5	210.5	223	223
L2	75	87.5	87.5	100	100	112.5	125	125	137.5	137.5	150	162.5	162.5	175	175	187.5	200	200	212.5	212.5
L3	55.7	63.2	70.7	78.2	85.7	93.2	100.7	108.2	115.7	123.2	130.7	138.2	145.7	153.2	160.7	168.2	175.7	183.2	190.7	198.2
L4	15	17.5	13.5	16	12.5	15	17.5	13.5	16	12.5	15	17.5	13.5	16	12.5	15	17.5	13.5	16	12.5

Dimensions

SS5J2-60-Stations B(S, R, RS)

*1 Height to manual override
Push type manual override: 40.3
Locking type manual override: 40.5



* For manifold dimensions including elbow fitting, refer to page 59.

L: Dimensions

		n: Stations																			
L \ n	1	2	3	4	5	6	7	8	9	10	11	12	13	14	15	16	17	18	19	20	
L1	98	110.5	110.5	123	135.5	135.5	148	148	160.5	173	173	185.5	185.5	198	210.5	210.5	223	223	235.5	248	
L2	87.5	100	100	112.5	125	125	137.5	137.5	150	162.5	162.5	175	175	187.5	200	200	212.5	212.5	225	237.5	
L3	71.2	78.7	86.2	93.7	101.2	108.7	116.2	123.7	131.2	138.7	146.2	153.7	161.2	168.7	176.2	183.7	191.2	198.7	206.2	213.7	
L4	13.5	16	12	14.5	17	13.5	16	12	14.5	17	13.5	16	12	14.5	17	13.5	16	12	14.5	17	

Common Specifications

Construction

Plug-in

D-sub Flat Ribbon

EX510 EX180

Non Plug-in

Individual Wiring

Manifold Options

Made to Order

SJ3A6

Common Spec. Construction

Plug-in

D-sub Flat Ribbon Serial

Non Plug-in

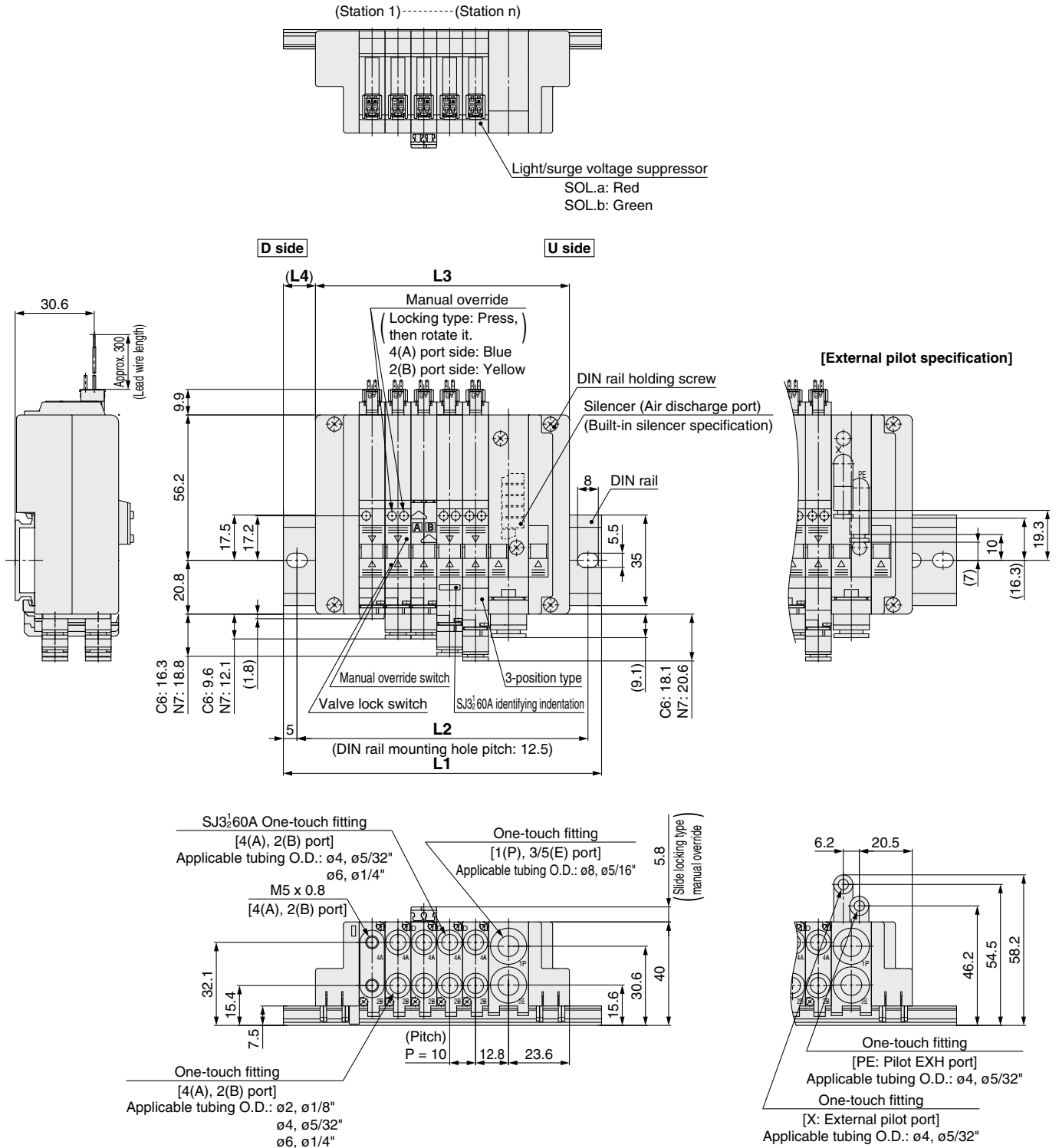
Individual Wiring

Specific Product Precautions

SJ2000/3000 Series

Dimensions

SS5J3-60-Stations U(S, R, RS)



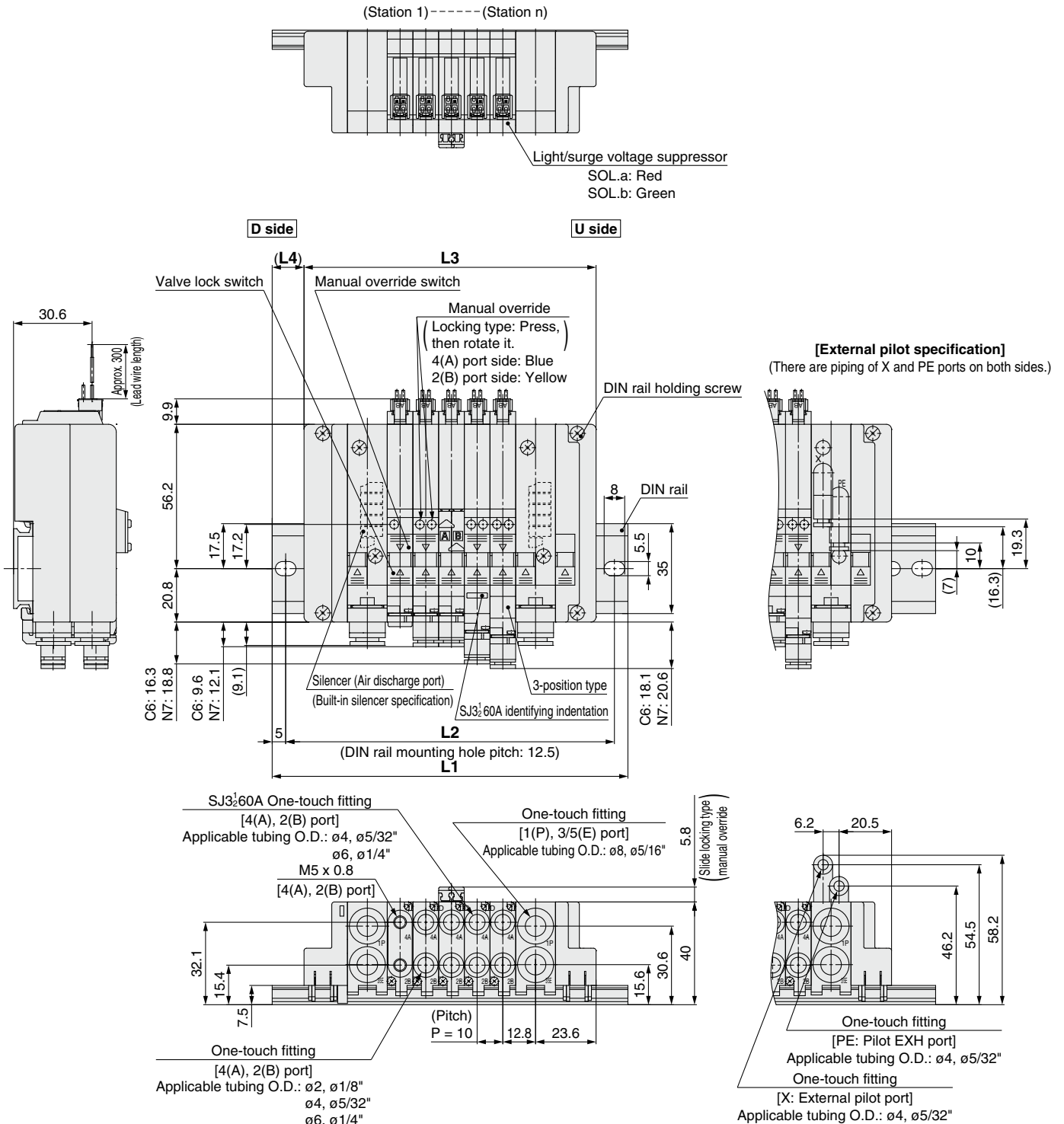
* For manifold dimensions including elbow fitting, refer to page 60.

L: Dimensions

L \ n	n: Stations																			
	1	2	3	4	5	6	7	8	9	10	11	12	13	14	15	16	17	18	19	20
L1	85.5	98	110.5	123	123	135.5	148	160.5	173	185.5	185.5	198	210.5	223	235.5	235.5	248	260.5	273	285.5
L2	75	87.5	100	112.5	112.5	125	137.5	150	162.5	175	175	187.5	200	212.5	225	225	237.5	250	262.5	275
L3	58.2	68.2	78.2	88.2	98.2	108.2	118.2	128.2	138.2	148.2	158.2	168.2	178.2	188.2	198.2	208.2	218.2	228.2	238.2	248.2
L4	13.5	14.5	16	17	12	13	14	15.5	16.5	17.5	12.5	13.5	15	16	17	12	13	14.5	15.5	16.5

Dimensions

SS5J3-60-Stations B(S, R, RS)



* For manifold dimensions including elbow fitting, refer to page 60.

L: Dimensions

		n: Stations																			
L \ n	1	2	3	4	5	6	7	8	9	10	11	12	13	14	15	16	17	18	19	20	
L1	98	110.5	123	135.5	148	148	160.5	173	185.5	198	210.5	210.5	223	235.5	248	260.5	260.5	273	285.5	298	
L2	87.5	100	112.5	125	137.5	137.5	150	162.5	175	187.5	200	200	212.5	225	237.5	250	250	262.5	275	287.5	
L3	73.7	83.7	93.7	103.7	113.7	123.7	133.7	143.7	153.7	163.7	173.7	183.7	193.7	203.7	213.7	223.7	233.7	243.7	253.7	263.7	
L4	12	13	14.5	15.5	16.5	11.5	12.5	14	15	16	17.5	12	13.5	14.5	15.5	17	11.5	13	14	15	

SJ2000/3000 Series

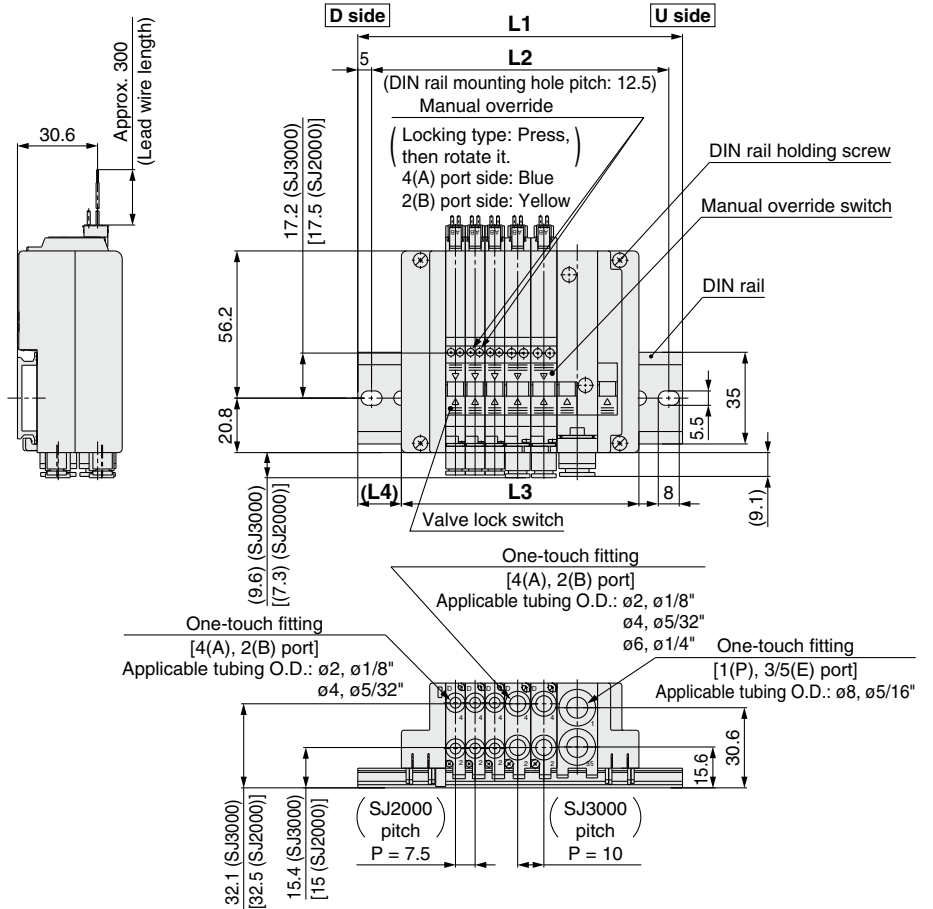
Dimensions: SJ2000/3000 Mixed Manifold

SS5J3-M60-StationsU(S, R, RS)

L dimension: Formula, L1 to L4
 $L3 = 7.5 \times n2 + 10 \times n3 + 48.2$
 $M = (L3 + 4) / 12.5 + 1$
 Decimal fractions are truncated.
 $L1 = M \times 12.5 + 23$
 $L2 = L1 - 10.5$
 $L4 = (L1 - L3) / 2 - 2$

n2 = Number of SJ2000
 n3 = Number of SJ3000

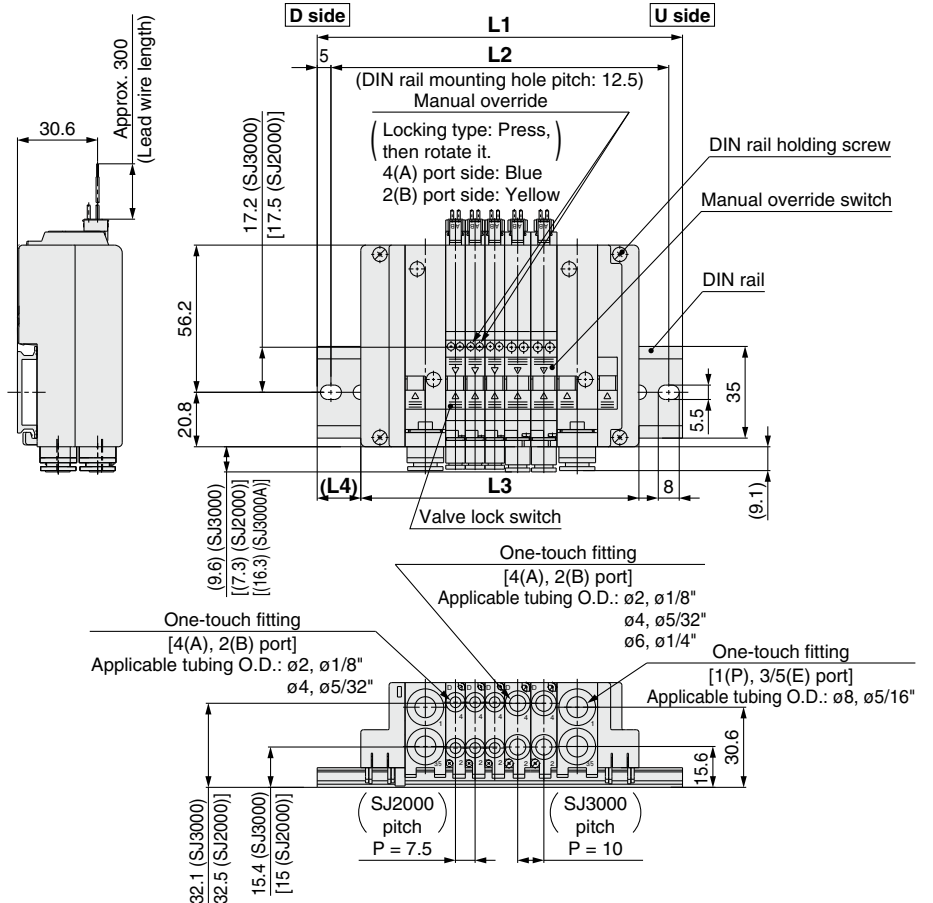
* The dimensions of L1 to L4 for **SS5J3-M60-StationsD** are the same as those of **SS5J3-M60-StationsU**.



SS5J3-M60-StationsB(S, R, RS)

L dimension: Formula, L1 to L4
 $L3 = 7.5 \times n2 + 10 \times n3 + 63.7$
 $M = (L3 + 4) / 12.5 + 1$
 Decimal fractions are truncated.
 $L1 = M \times 12.5 + 23$
 $L2 = L1 - 10.5$
 $L4 = (L1 - L3) / 2 - 2$

n2 = Number of SJ2000
 n3 = Number of SJ3000

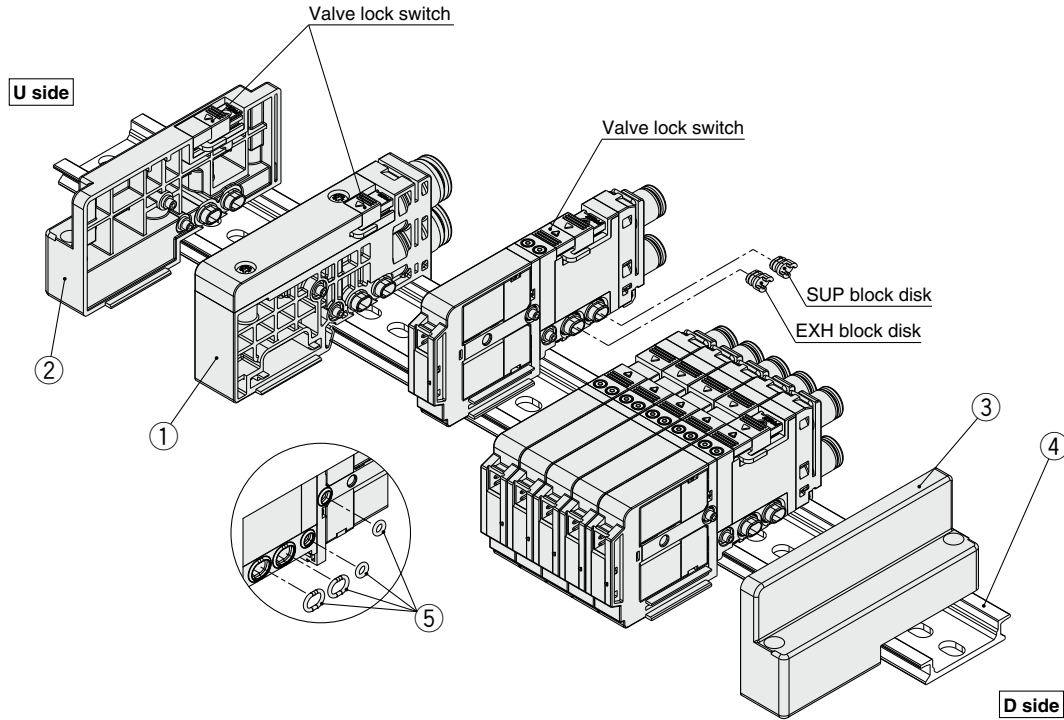


SJ2000/3000 Series Manifold Exploded View

Individual Wiring

Type 60 individual wiring (Non plug-in) manifold

* Refer to page 90 for "How to Increase Manifold Stations."



Component Parts: Individual Wiring (Non Plug-in)

No.	Description	Part no.	Note
1	Internal pilot	SJ3000-50-5A-□□	(Metric size) C6: With ø6 One-touch fitting (straight) C8: With ø8 One-touch fitting (straight) L6: With ø6 One-touch fitting (elbow upward entry) L8: With ø8 One-touch fitting (elbow upward entry) B6: With ø6 One-touch fitting (elbow downward entry) B8: With ø8 One-touch fitting (elbow downward entry)
	Internal pilot, Built-in silencer	SJ3000-50-5AS-□□	
	External pilot	SJ3000-50-5AR-□□ (X, PE port: Metric size ø4 Inch size ø5/32")	
	External pilot, Built-in silencer	SJ3000-50-5ARS-□□ (X port: Metric size ø4 Inch size ø5/32")	
	For different pressures, Internal pilot* ¹	SJ3000-50-6A-□□	
	For different pressures, Internal pilot, Built-in silencer* ¹	SJ3000-50-6AS-□□	
2	End block	SJ3000-53-1A	For the U side
3	End block	SJ3000-53-2A	For the D side
4	DIN rail	VZ1000-11-1-□	Refer to page 106.
5	O-ring for valve connection* ²	SJ3000-96-1A	The part no. shown on the left includes parts for 5 units. (10 pcs. each for the P and E ports and for the X and PE ports)

*¹ As the valves cannot be operated only with the SUP/EXH block for different pressures, select them in combination with the SUP/EXH block for internal/external pilot.

*² Included with valves, SUP/EXH block, and connector block

* Refer to page 103 for the SUP/EXH block disk and method of handling parts at different pressures.

SJ
1000
2000
3000
4000

Common
Specifications

Construction

Plug-in

D-sub
Flat Ribbon

EX510 EX180

Non
Plug-in

Individual
Wiring

Manifold
Options

Made to
Order

SJ3A6

Common Spec.
Construction

Plug-in

D-sub
Flat Ribbon
Serial

Non
Plug-in

Individual
Wiring

Specific Product
Precautions

SJ1000/2000/3000/4000 Series Manifold Options

SJ1000/2000/3000 Common to Connector Type/Cable Type/Individual Wiring

■ SUP block disk

By placing a SUP block disk in a manifold valve's pressure supply passage, two different high and low pressures can be supplied to one manifold. When supplying different pressures using the manifold of the internal pilot, fill out a manifold specification sheet to place an order for a SUP/EXH block for the internal pilot specifications and another SUP/EXH block for the different pressure internal pilot specifications (Refer to Circuit Diagram 1).

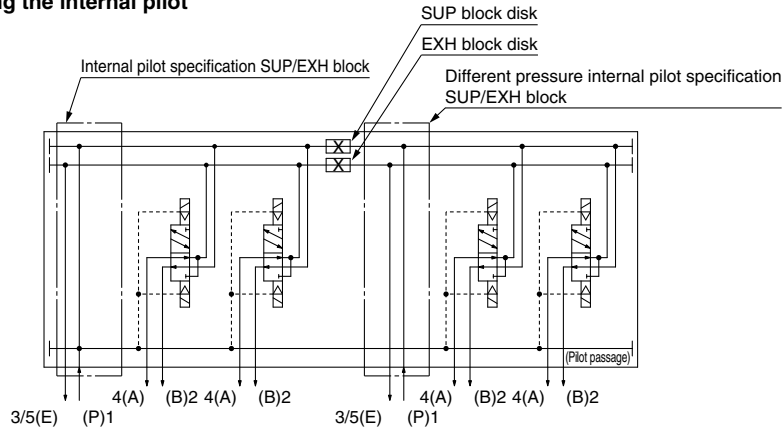
■ EXH block disk

By installing an EXH block disk in a manifold valve's exhaust passage, the valve's exhaust can be separated so that it will not affect other valves.

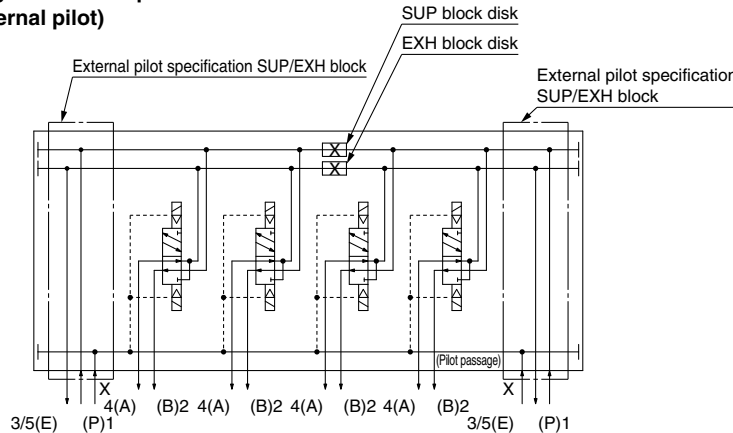
[Different pressure pneumatic circuit diagram]

● The SJ series supplies air to the pilot port of each valve using a 1(P) port of the SUP/EXH block. When using in situations such as where there are different pressures, combine SUP/EXH blocks for internal pilot, external pilot, and different-pressure by referring to the circuit below.

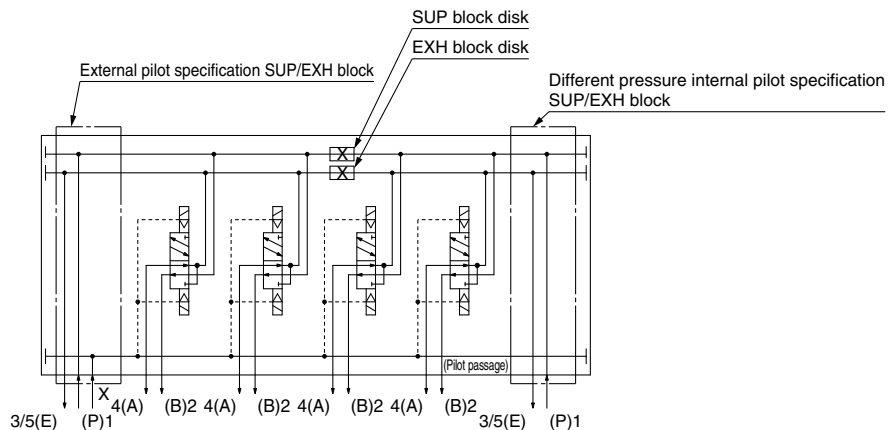
1. Different-pressure specification using the internal pilot



2. Different-pressure specification using the external pilot (For using the SUP/EXH block for external pilot)

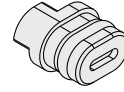


3. Different-pressure specification using the external pilot (For using the SUP/EXH block for different-pressure internal pilot specification)



* When operating under the different-pressure specification, supply the higher pressure to the pilot passage.
* If there is a need to partition the pilot passage, please contact SMC.

For the
SJ1000/2000/3000



The part number is for 1 pc.

Series	Part no.
SJ1000	
SJ2000	SJ3000-44-1A
SJ3000	

SJ4000 Connector Type

■ SUP block disk

By placing a SUP block disk in a manifold valve's pressure supply passage, two different high and low pressures can be supplied to one manifold.

■ EXH block disk

By installing an EXH block disk in a manifold valve's exhaust passage, the valve's exhaust can be separated so that it will not affect other valves.

■ Block plug for the X port (For the SJ4000)

(For the SJ4000)

The part number is for 5 pcs.

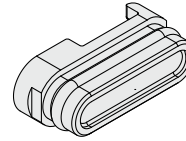


Series	Part no.
SJ4000	SJ4000-44-2A

(For the SJ4000)

The part number is for 1 pc.

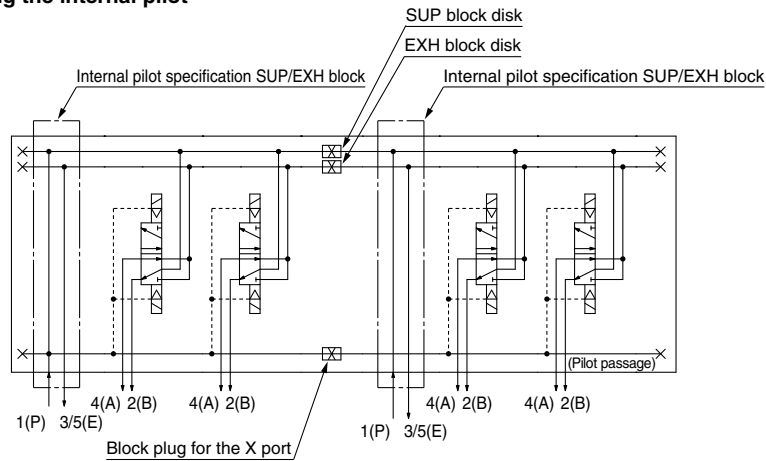
Series	Part no.
SJ4000	SJ4000-44-1A



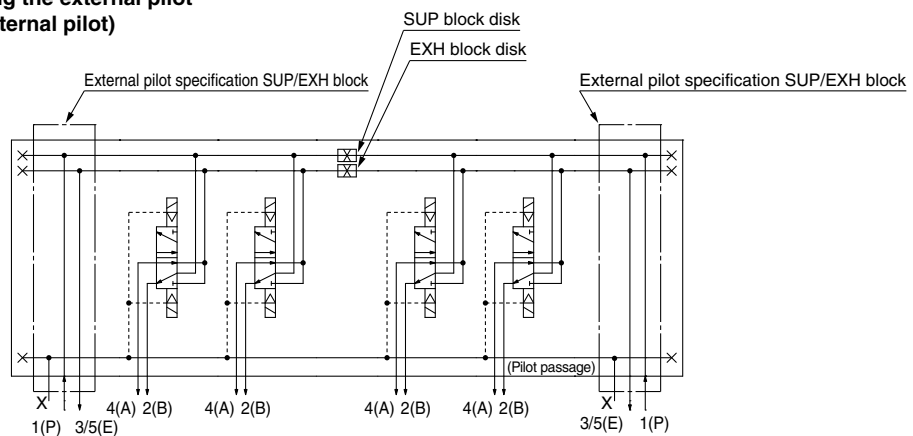
[Different pressure pneumatic circuit diagram]

● The SJ series supplies air to the pilot port of each valve using a 1(P) port of the SUP/EXH block. When using in situations such as where there are different pressures, combine block disks for the SUP/EXH port and a block plug for the X port by referring to the circuit below.

1. Different-pressure specification using the internal pilot



2. Different-pressure specification using the external pilot (For using the SUP/EXH block for external pilot)



* If SJ1000/2000/3000 and SJ4000 series are mixed mounted and then the block plug is mounted on the pilot (X-port), it is available as a special order.

SJ
1000
2000
3000
4000

Common Specifications

Construction

Plug-in

D-sub Flat Ribbon

EX510 EX180

EX510 EX180

Non Plug-in

Individual Wiring

Manifold Options

Made to Order

Made to Order

SJ3A6

Common Spec. Construction

Plug-in

D-sub Flat Ribbon Serial

Non Plug-in

Individual Wiring

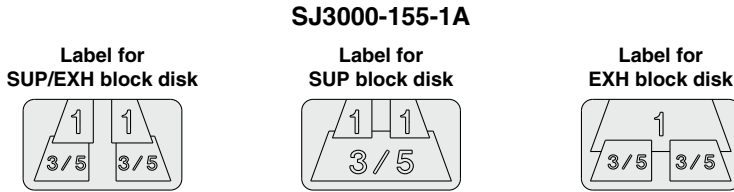
Specific Product Precautions

SJ1000/2000/3000/4000 Series

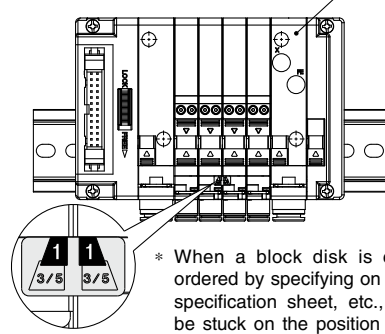
Common to Connector Type/Cable Type/Individual Wiring

Label for block disk (For the SJ1000/2000/3000)

These labels are attached to manifolds in which SUP and EXH block disks have been installed, in order to identify the installed locations. (Three sheets each included.)



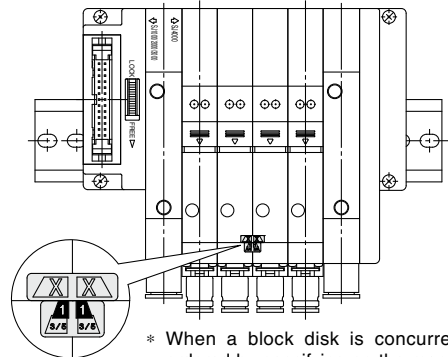
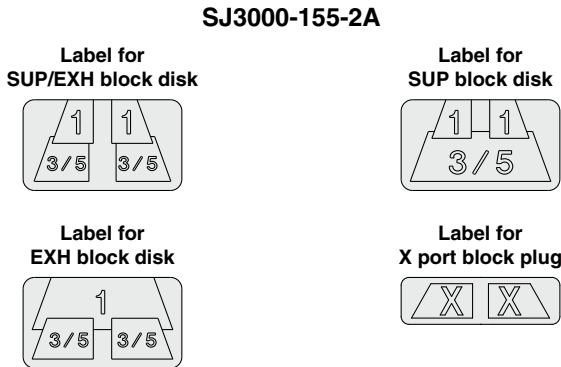
Different pressure internal pilot specification
SUP/EXH block



* When a block disk is concurrently ordered by specifying on the manifold specification sheet, etc., a label will be stuck on the position where block disk is mounted.

Label for block disk (For the SJ4000)

These labels are attached to manifolds in which SUP and EXH block disks and a block plug for the X port have been installed, in order to identify the installed locations. (Three sheets each included.)

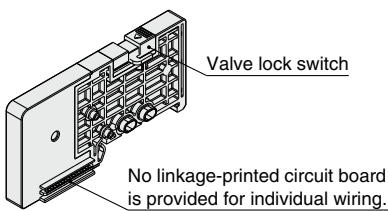


* When a block disk is concurrently ordered by specifying on the manifold specification sheet, etc., a label will be stuck on the position where block disk is mounted.

Blanking block

These are mounted when later addition of valves is planned, etc.

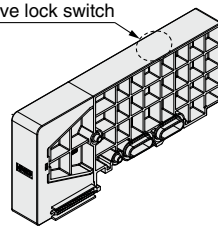
<Connector type/Individual wiring>



For the SJ1000/2000/3000

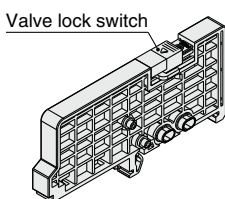
<Connector type>

Without valve lock switch

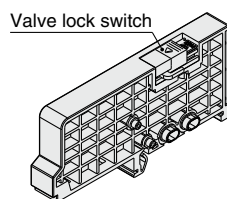


For the SJ4000

<Cable type>



SJ2000



SJ3000

Series	Part no.	Note	Width
SJ1000	SJ3000-49-1A	Connector type (Single wiring)	7.5 mm
SJ2000	SJ3000-49-2A	Connector type (Double wiring)	
SJ3000			
SJ3A6*1	SJ3000-49-2A-N	Connector type (Double wiring)	15 mm
SJ2000	SJ3000-49-3A	Individual wiring	
SJ3000			
SJ3A6*1	SJ3000-49-3A-N		
SJ4000*1	SJ4000-49-1A	Connector type (Single wiring)	
	SJ4000-49-2A	Connector type (Double wiring)	

*1 Valve lock switch is not available for the SJ3A6 and SJ4000.

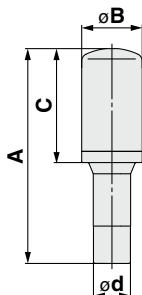
Series	Part no.	Width
SJ2000	SJ2000-49-4A	7.5 mm
SJ3000	SJ3000-49-4A	10 mm
SJ3A6*1	SJ3000-49-4A-N	

*1 Valve lock switch is not available for the SJ3A6.

Common to Connector Type/Cable Type/Individual Wiring

■ Silencer with One-touch fitting

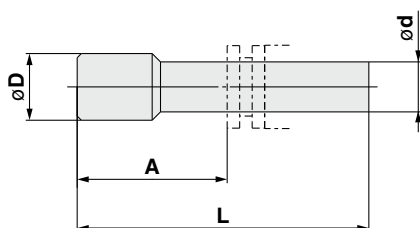
This silencer can be mounted on the manifolds' port 3/5 (E: Exhaust) with a single touch.



Series	Model	Effective area	A	B	C	ød
SJ1000 SJ2000 (ø8) SJ3000	AN15-C08	20 mm ²	45 mm	13 mm	20 mm	ø8
SJ4000 (ø10)	AN20-C10	30 mm ²	57.5 mm	16.5 mm	30.5 mm	ø10

■ Plug

These are inserted in unused cylinder ports and P, E ports.



Dimensions

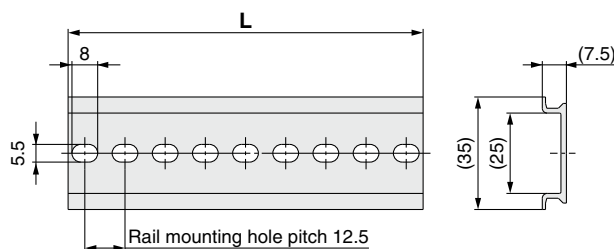
Applicable fitting size ød	Model	A	L	D
2	KJP-02	8.2	17	3
4	KQ2P-04	16	32	6
6	KQ2P-06	18	35	8
8	KQ2P-08	20.5	39	10
10	KQ2P-10	27.4	43	12
1/8"	KQ2P-01	16	31.5	5
5/32"	KQ2P-03	16	32	6
1/4"	KQ2P-07	18	35	8.5
5/16"	KQ2P-09	20.5	39	10

■ DIN rail

VZ1000-11-1-□

● L dimension

* Enter a number from the DIN rail dimension table shown below.

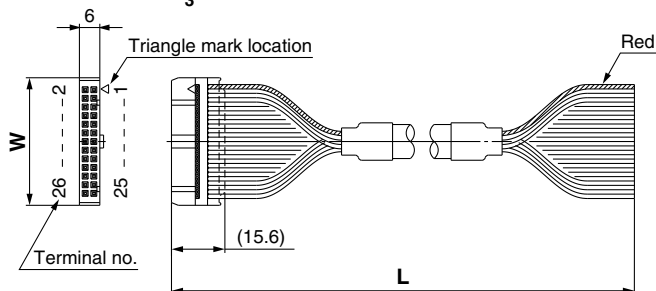


No.	S1	0	1	2	3	4	5	6	7	8	9	10	11	12	13	14	15	16	17	18	19	20	21
L dimension	85.5	98	110.5	123	135.5	148	160.5	173	185.5	198	210.5	223	235.5	248	260.5	273	285.5	298	310.5	323	335.5	348	360.5
Weight [g]	15.4	17.6	19.9	22.1	24.4	26.6	28.9	31.1	33.4	35.6	37.9	40.1	42.4	44.6	46.9	49.1	51.4	53.6	55.9	58.1	60.4	62.6	64.9

No.	22	23	24	25	26	27	28	29	30	31	32	33	34	35	36	37	38	39	40	41	42	43	44
L dimension	373	385.5	398	410.5	423	435.5	448	460.5	473	485.5	498	510.5	523	535.5	548	560.5	573	585.5	598	610.5	623	635.5	648
Weight [g]	67.1	69.4	71.6	73.9	76.1	78.4	80.6	82.9	85.1	87.4	89.6	91.9	94.1	96.4	98.6	100.9	103.1	105.4	107.6	109.9	112.1	114.4	116.6

■ Flat ribbon cable

AXT100-FC□¹/₂/₃



Flat Ribbon Cable

Cable length (L)	10 pins	20 pins	26 pins
1.5 m	AXT100-FC10-1	AXT100-FC20-1	AXT100-FC26-1
3 m	AXT100-FC10-2	AXT100-FC20-2	AXT100-FC26-2
5 m	AXT100-FC10-3	AXT100-FC20-3	AXT100-FC26-3
Connector width (W)	17.2	30	37.5

* For other commercial connectors, use a type with strain relief that conforms to MIL-C-83503.

Connector manufacturers:

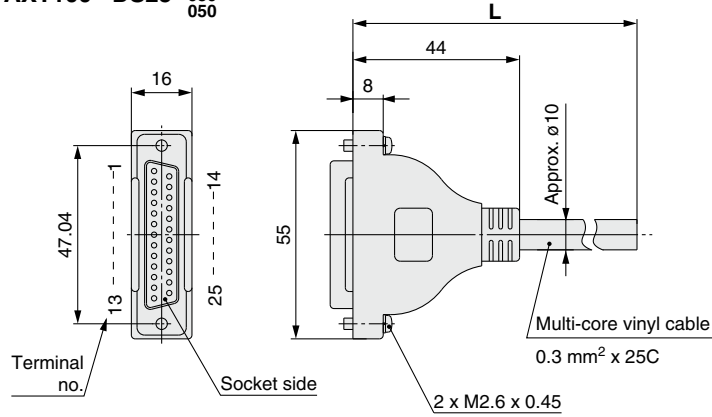
- HIROSE ELECTRIC CO., LTD.
- 3M Japan Limited
- Fujitsu Limited
- Japan Aviation Electronics Industry, Limited
- J.S.T. Mfg. Co., Ltd.

SJ1000/2000/3000/4000 Series

Common to Connector Type/Cable Type/Individual Wiring

■ D-sub connector (25 pins)/Cable

AXT100-DS25-⁰¹⁵
-⁰³⁰
-⁰⁵⁰



D-sub Connector Cable

Cable length (L)	Assembly part no.	Note
1.5 m	AXT100-DS25-015	Cable 25 cores x 24AWG
3 m	AXT100-DS25-030	
5 m	AXT100-DS25-050	

* For other commercial connectors, use a 25 pins type with female connector conforming to MIL-C-24308.

Connector manufacturers:

- HIROSE ELECTRIC CO., LTD.
- Fujitsu Limited
- Japan Aviation Electronics Industry, Limited
- J.S.T. Mfg. Co., Ltd.

Electric Characteristics

Item	Characteristics
Conductor resistance Ω/km, 20°C	65 or less
Withstand pressure VAC, 1 min	1000
Insulation resistance MΩkm, 20°C	5 or less

* The min. bending radius for D-sub connector cables is 20 mm.

D-sub Connector Cable

Cable Color List of Each Terminal No.

Terminal no.	Lead wire color	Dot marking
1	Black	None
2	Brown	None
3	Red	None
4	Orange	None
5	Yellow	None
6	Pink	None
7	Blue	None
8	Purple	White
9	Gray	Black
10	White	Black
11	White	Red
12	Yellow	Red
13	Orange	Red
14	Yellow	Black
15	Pink	Black
16	Blue	White
17	Purple	None
18	Gray	None
19	Orange	Black
20	Red	White
21	Brown	White
22	Pink	Red
23	Gray	Red
24	Black	White
25	White	None

Common to Connector Type/Cable Type/Individual Wiring

■ Dual flow fitting (Set for SJ3000 series)

SJ3000-120-1A-C8

Port size

C8	ø8
N9	ø5/16"

This is a fitting for cylinder ports which enables simultaneous actuation and increase in flow rate of valves for 2 stations.
This is a One-touch fitting with port sizes of ø8 and ø5/16".

* When arranging mounted to the valve, arrange the valve part no. using the part no. without the One-touch fitting, and then add the part no. for the dual flow fitting.
If the arrangement is too complicated, please specify the details on a manifold specification sheet.

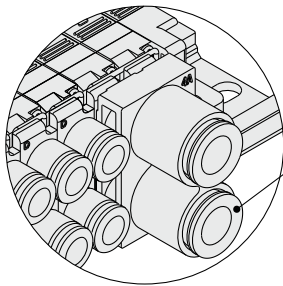
Ordering example

Valve type (without One-touch fitting)

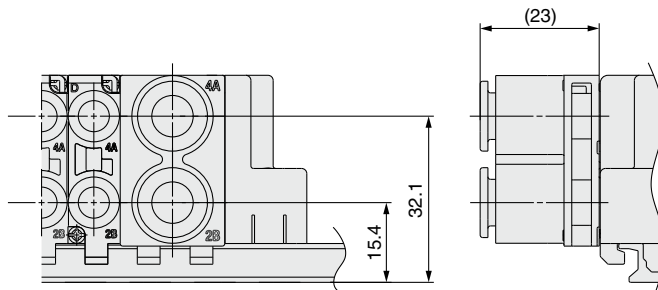
SJ3160-5CU-C0 2 sets

* SJ3000-120-1A-C8 1 set

↳ The asterisk denotes the symbol for the assembly.



C8: ø8 One-touch fitting
N9: ø5/16" One-touch fitting



SJ
1000
2000
3000
4000

Common
Specifications

Construction

Plug-in

D-sub
Flat Ribbon

EX180

EX510

Non
Plug-in

Individual
Wiring

Manifold
Options

Made to
Order

SJ3A6

Common Spec.
Construction

Plug-in

D-sub
Flat Ribbon
Serial

Non
Plug-in

Individual
Wiring

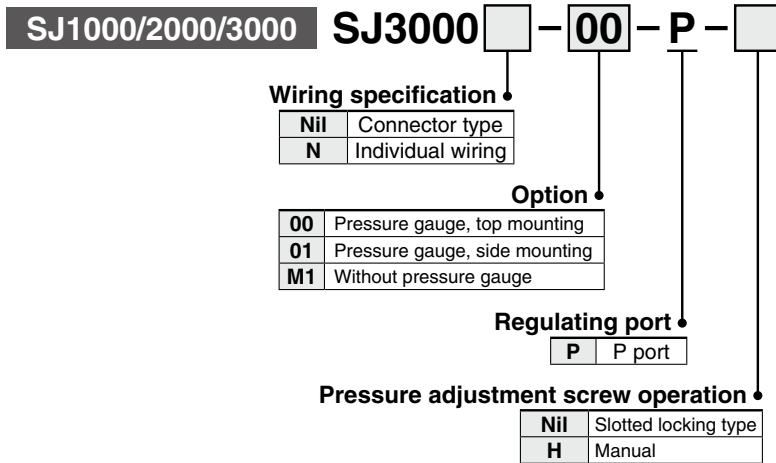
Specific Product
Precautions

SJ1000/2000/3000 Series

For Connector Type/Individual Wiring

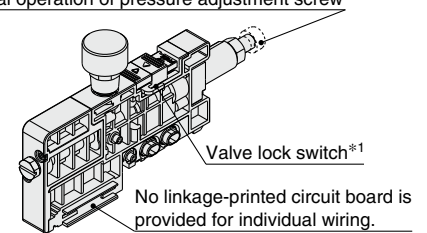
■ Regulator block/How to Order

This is used to reduce the pressure supplied from the D side inside the manifold. All valves on the U side are depressurized from the regulator block.



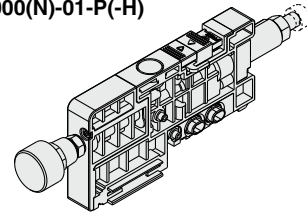
SJ3000(N)-00-P(-H)

With manual operation of pressure adjustment screw



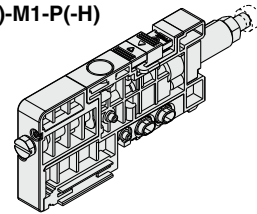
Pressure gauge, top mounting

SJ3000(N)-01-P(-H)



Pressure gauge, side mounting

SJ3000(N)-M1-P(-H)



Without pressure gauge

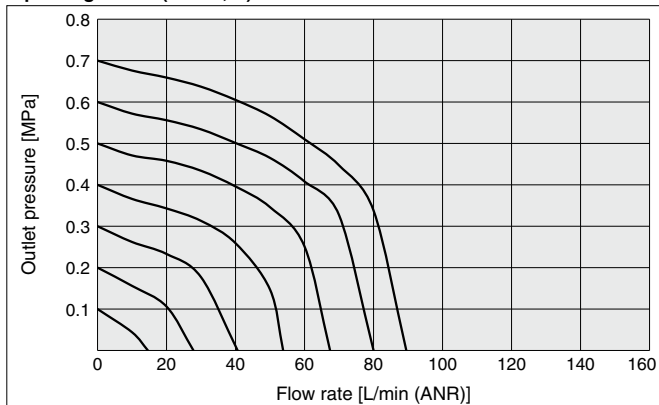
*1 The valve lock switch is available only for the SJ1000/2000/3000 series.

- * Be sure to apply the pressure from the 1(P) port of the manifold before using the regulator block.
- * When ordering with a regulator block installed in the manifold, please order using the manifold specification sheet.

■ Flow Rate Characteristics (Conditions: Inlet pressure 0.7 MPa when 2-position solenoid valve is mounted)

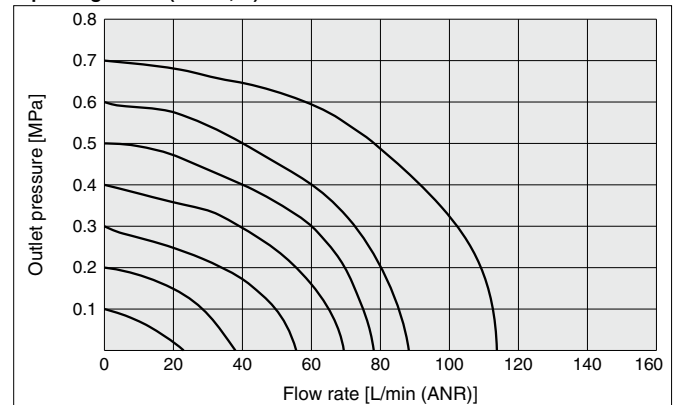
SJ1000

P port regulation (P → A, B)



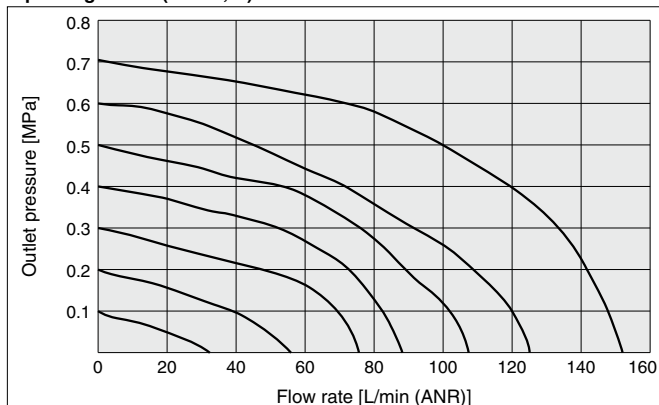
SJ2000

P port regulation (P → A, B)

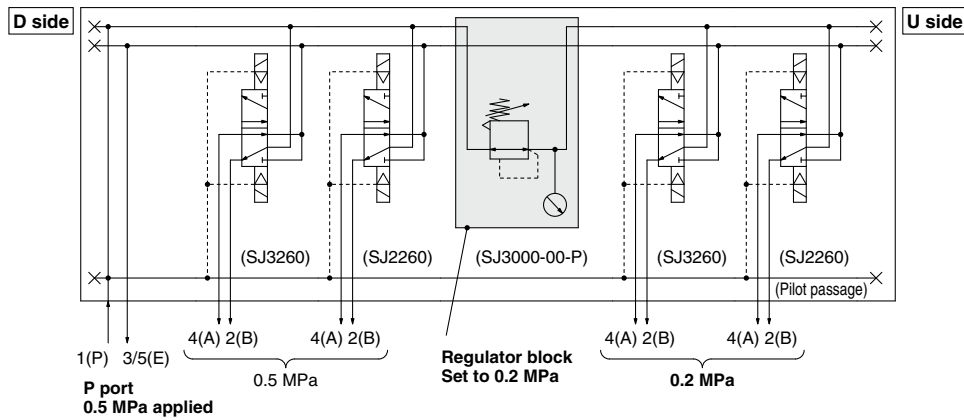


SJ3000

P port regulation (P → A, B)

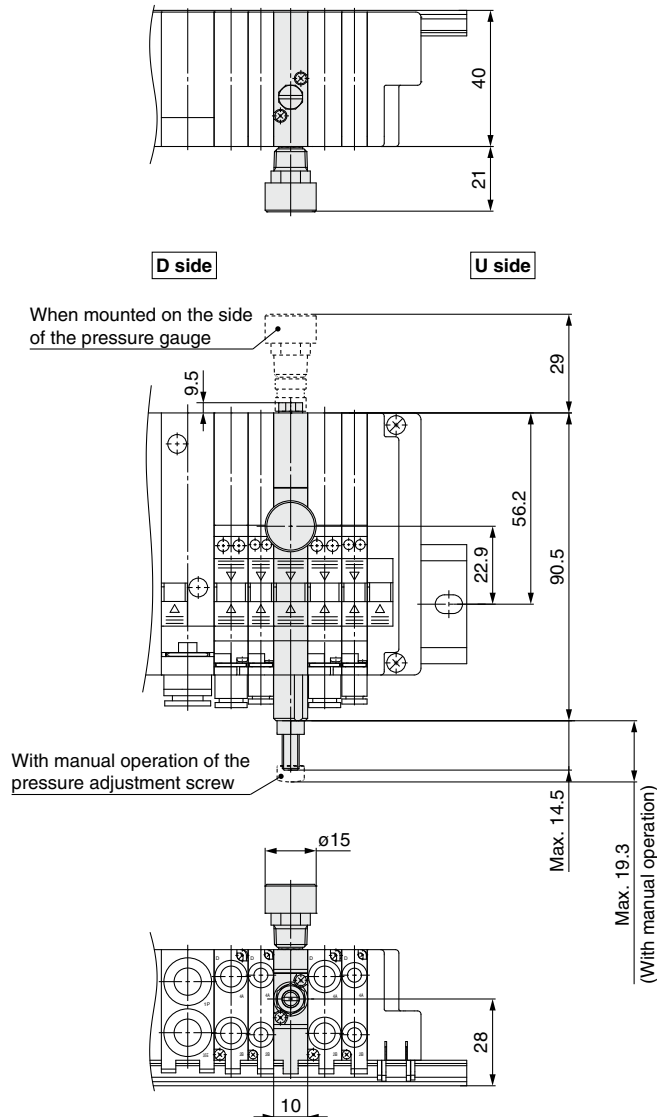


■ Pneumatic circuit (Regulator block mounting example)



* Reduces supply pressure from the D side of manifold
Supply pressure from the U side cannot be reduced.

■ Dimensions



SJ1000/2000/3000 Series

For Connector Type/Individual Wiring

■ SUP/EXH block with regulator and pressure switch (for internal pilot manifold)/How to Order

* When mounting on the manifold, specify it on the manifold specification sheet.

SJ3000 **B** **□** - **P** - **C8** - **□** **N** **□** - **□** **F**

Knob (Regulator orientation)

A	Lateral
B	Upward

* Refer to Fig. 1.

Wiring specification

Nil	For connector type
N	For individual wiring

1(P) port regulation

Fitting size

Straight (Metric size) C6: ø6 One-touch fitting C8: ø8 One-touch fitting (Inch size) N7: ø1/4" One-touch fitting N9: ø5/16" One-touch fitting
Elbow fitting (Upward entry) (Metric size) L6: ø6 One-touch fitting L8: ø8 One-touch fitting
Elbow fitting (Downward entry) (Metric size) B6: ø6 elbow fitting B8: ø8 elbow fitting

Regulator specifications (0.7 MPa specifications)

Symbol	Specifications
Nil	Relieving
2	Non-relieving

Pressure switch/pressure gauge specifications

Nil	Without pressure display function		
A	Analog pressure gauge		
N	Digital pressure switch	NPN open collector	External wiring
		PNP open collector	Internal wiring
Q	Digital pressure switch	PNP open collector	External wiring
P		Digital pressure switch	NPN open collector
S	Digital pressure switch		PNP open collector
S		Digital pressure switch	NPN open collector

Pressure switch/pressure gauge display orientation

Nil	Without pressure display function
F	Fitting side
D	D side
C	Coil side
U	U side

* Refer to Fig. 2.
* If "D" is selected when the connector (D-sub connector, flat ribbon cable) entry direction is upward, the connector may interfere with the pressure switch wiring depending on the mounting position. So, carefully check this point.

Digital pressure switch option (external wiring)

Nil	Without lead wire with connector
L	With lead wire with connector

* This option can be selected only when the pressure switch/pressure gauge specifications are "N" or "P."

Display unit

Nil ^{*1}	Analog pressure gauge: The unit of the product nameplate and pressure display is MPa.
Z ^{*2,*3}	Analog pressure gauge: The unit of the product nameplate and pressure display is psi.
ZA ^{*2,*4}	Digital pressure switch: With unit selection function (Initial setting: MPa)

* When the knob orientation is lateral, the elbow fitting (upward entry) cannot be selected.

* "Internal wiring" specifications mean that the wiring is assigned to the centralized wiring on the manifold. (For details, refer to "Electrical Wiring" on page 114.)
* For the internal wiring specifications, select an appropriate pressure switch according to the polarity of the valve to be mounted.
* For the serial manifold and non plug-in, "Q" and "S" (internal wiring specifications) cannot be selected.
* The analog pressure gauge is not applicable to the copper-free specifications.

*1 A fixed unit (MPa) digital pressure switch is provided.
*2 This product is for overseas use only according to the New Measurement Act. (The SI unit type is provided for use in Japan.) Both "MPa" and "psi" are written on the unit display of the digital pressure switch.
*3 The digital pressure switch will be equipped with the unit selection function, setting to psi initially.
*4 For digital pressure switches

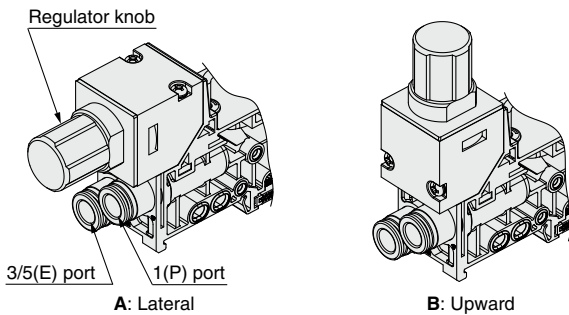


Fig. 1 Knob orientation (Regulator mounting orientation)

- * Be sure to apply the pressure from the 1(P) port of the manifold before using the SUP/EXH block with regulator and pressure switch.
- * For details on the regulator and electric circuit of the external wiring specifications, refer to the catalog of the ARM11 series.
- * Applicable only to the manifolds with the internal pilot specifications
- * This regulator block cannot be combined with the vacuum release valve of the SJ3A6 series.

■ SJ3000 Series Valve with Speed Controller/How to Order

SJ3 **□** **60** **□** **(T)** - **□** **□** **□** **□** **□** **□** - **□** **□** **□** **□** - **S** **0**

• The entry is the same as that of the standard model. **Control method**

- *1 Set the operating torque of the speed controller to 0.1 N·m or less.
- * Applicable only to the SJ3000 series. However, there is no setting for SJ3□60A.
- * Specify S0 or S1 at the end of the valve part no.

0	Meter-out	Identification color: Silver
1	Meter-in	Identification color: Black

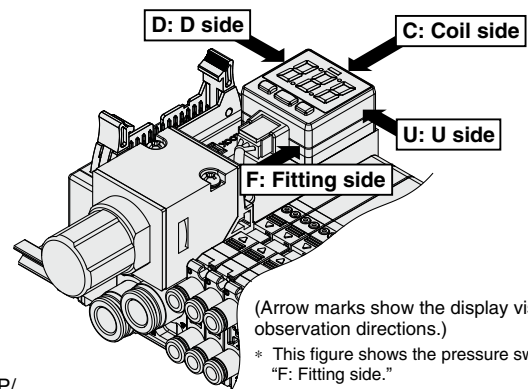
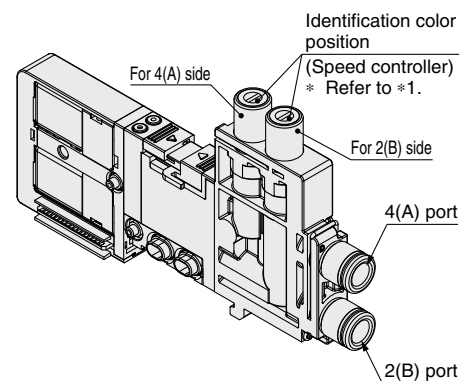
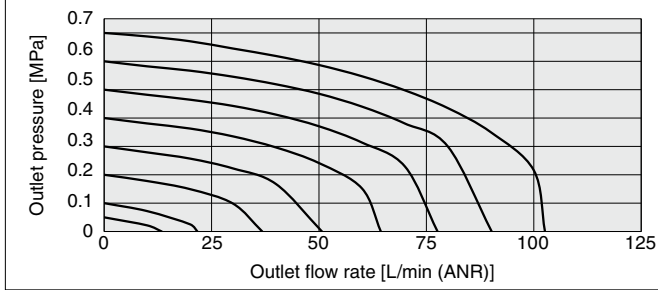


Fig. 2 Pressure switch/pressure gauge display orientation symbol

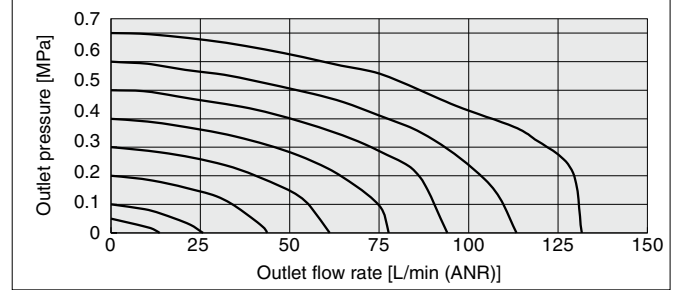


Flow rate characteristics

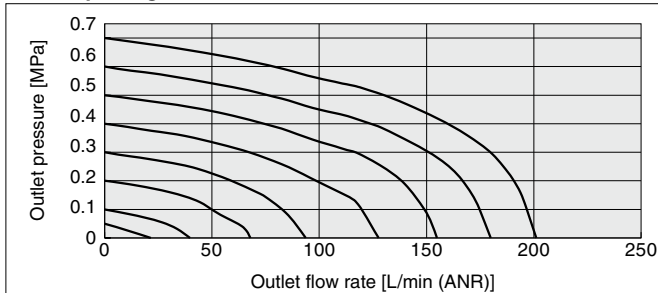
Regulator unit flow rate characteristics SJ1000 passage P → A/B



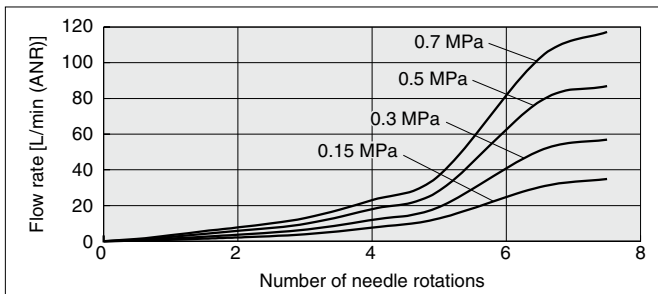
SJ2000 passage P → A/B



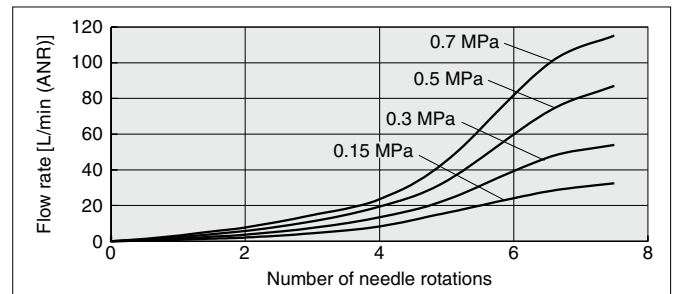
SJ3000 passage P → A/B



Valve with speed controller flow rate characteristics Meter-out control A/B → E



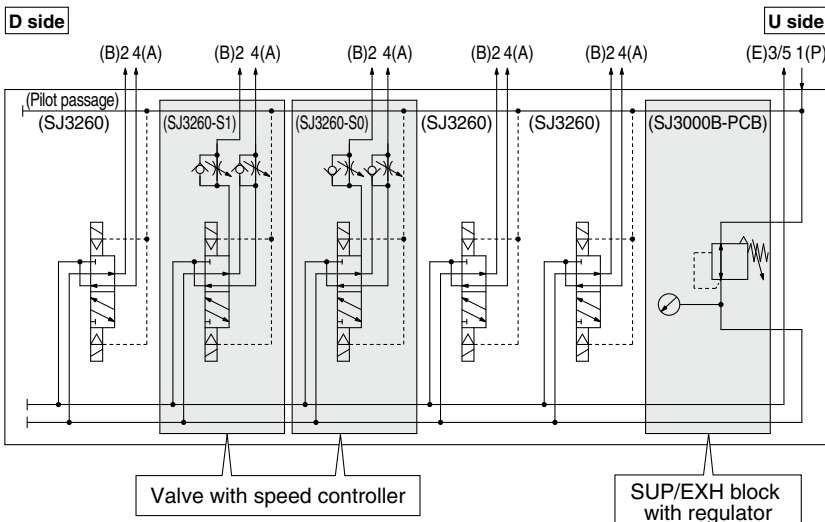
Meter-in control P → A/B



* The flow rate characteristics are characteristics of each individual product. Actual values may differ depending on the piping, circuitry, pressure conditions, etc. Also, depending on product specifications, there may be variations in the zero needle rotations position of the flow rate characteristics.

Pneumatic circuit

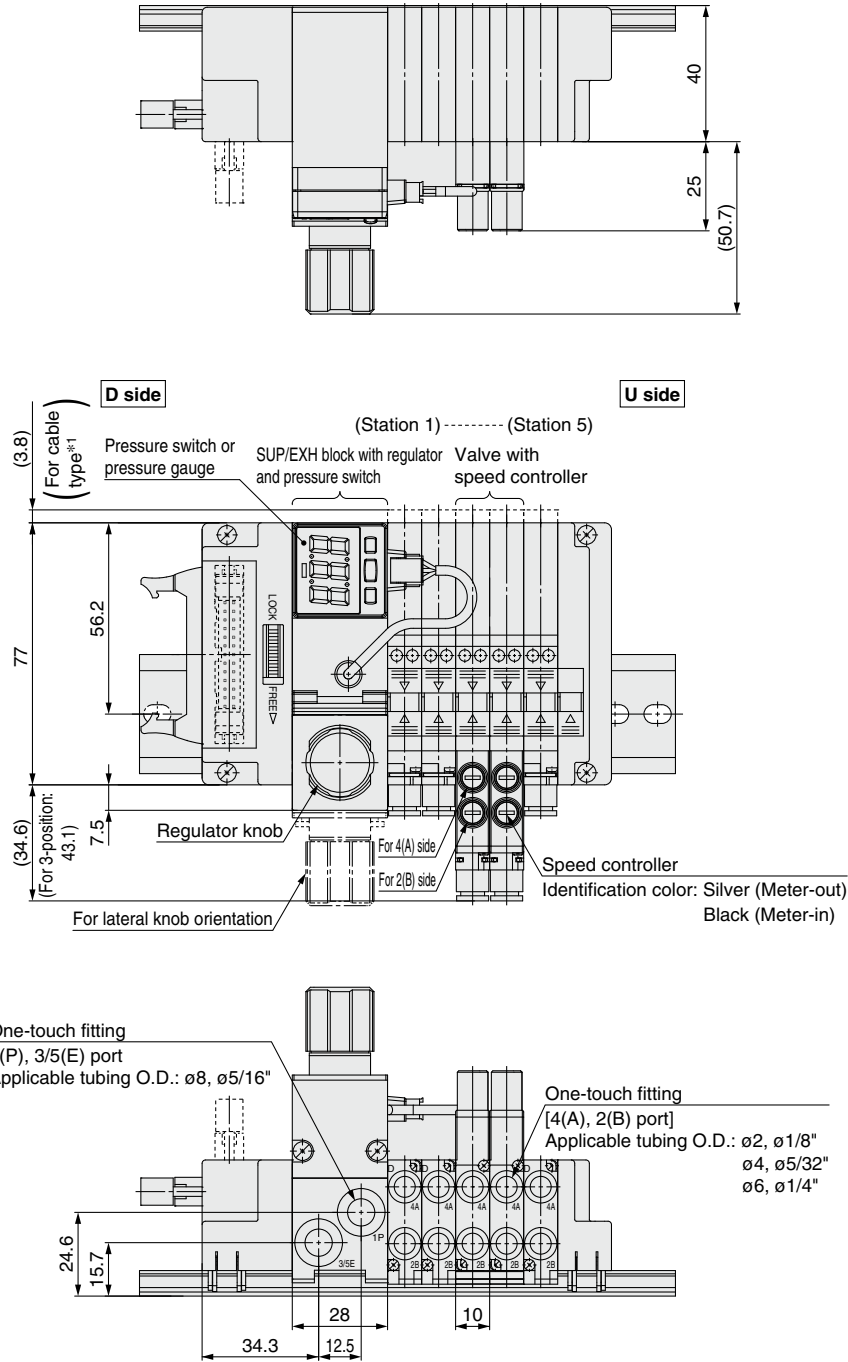
(Installation example of SUP/EXH block with regulator and pressure switch, valve with speed controller)



SJ1000/2000/3000 Series

For Connector Type/Individual Wiring

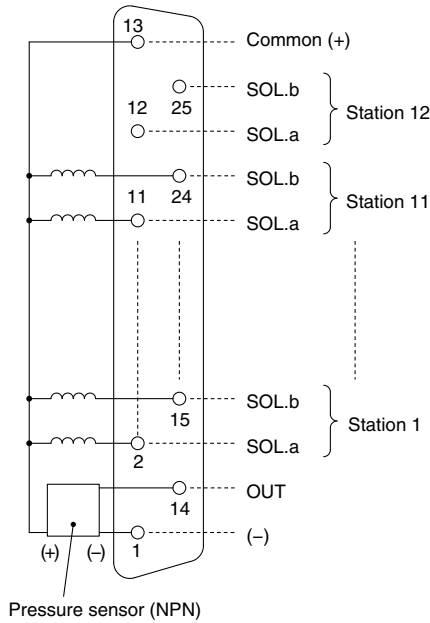
■ SUP/EXH block with regulator and pressure switch, valve with speed controller/Dimensions



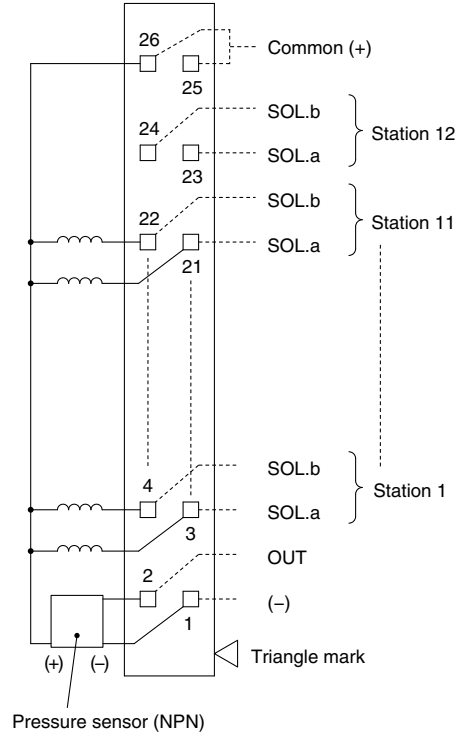
*1 The SUP/EXH block with regulator and pressure switch cannot be mounted on the plug-in cable type manifold.

■ Manifold electrical wiring when the SUP/EXH block with the regulator and pressure switch is mounted (Internal wiring and pressure switch (NPN))

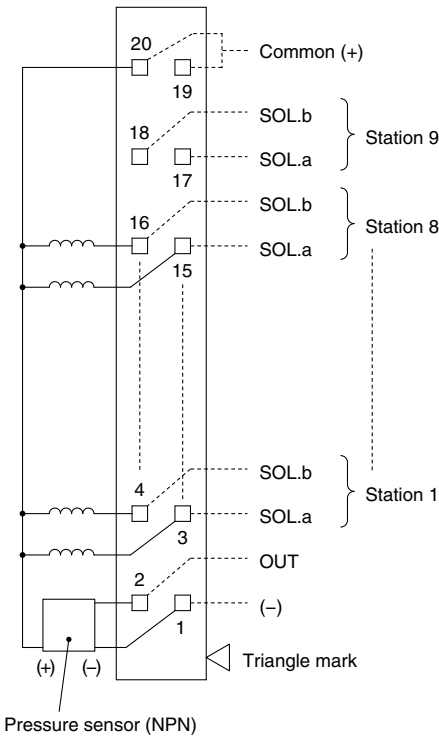
D-sub connector (25 pins)



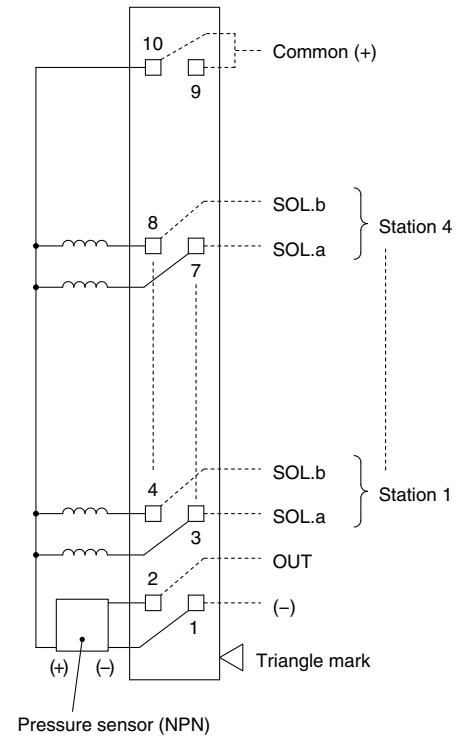
Flat ribbon cable (26 pins)



Flat ribbon cable (20 pins)



Flat ribbon cable (10 pins)



* This figure shows when the SUP/EXH block with the regulator and pressure switch is mounted between the connector block and 1st station valve.
* Applicable only to the connector type manifold

SJ1000/2000/3000 Series

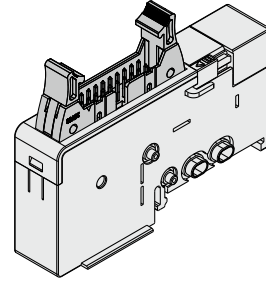
For connector type

Intermediate connector block

This connector block can be used by inserting it into the middle of the manifold. This can be used, for example, when you wish to separate electrical control of valves in the same manifold, or when the number of control points is insufficient.

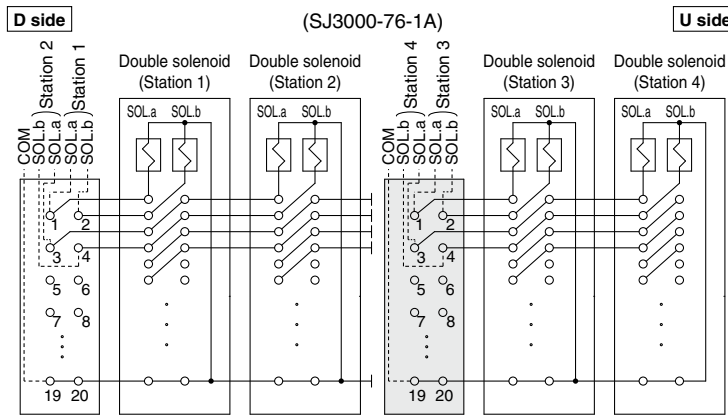
Series	Part no.	Note
SJ1000 SJ2000 SJ3000	SJ3000-76-1A	Flat ribbon cable (20 pins)
	SJ3000-76-4A	Flat ribbon cable (26 pins)

* When ordering with an intermediate connector block installed in the manifold, please order using the manifold specification sheet.



For flat ribbon cable (20 pins)

Intermediate connector block wiring example

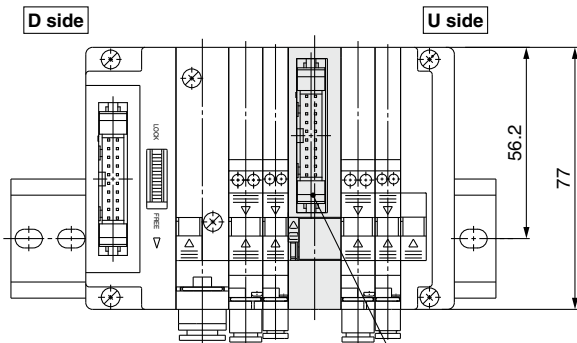
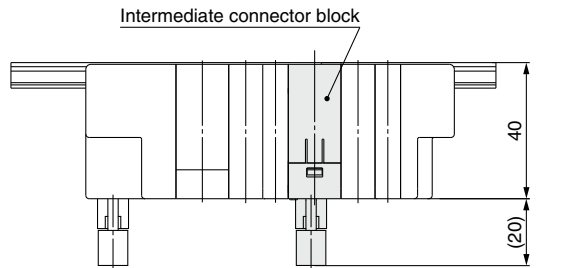


* Enables control of U side solenoid valves from the position where the intermediate connector block is installed

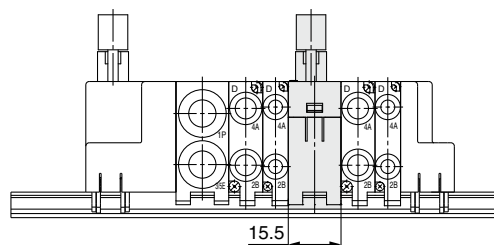
Connector block

Intermediate connector block

Dimensions



Applicable connector: 20-pin MIL type with strain relief (MIL-C-83503 compliant)



* This drawing shows the SJ3000-76-1A.

SJ1000/2000/3000 Series

Made to Order

Please contact SMC for detailed dimensions, specifications, and lead times.



SJ
1000
2000
3000
4000

Common
Specifications

Construction

Plug-in

D-sub
Flat Ribbon

EX180

EX510

Non
Plug-in

Individual
Wiring

Manifold
Options

Made to
Order

SJ3A6

Common Spec.
Construction

Plug-in

D-sub
Flat Ribbon
Serial

Non
Plug-in

Individual
Wiring

Specific Product
Precautions

1 Main Valve Fluororubber Specification

Symbol
-X90

Fluororubber is used for the rubber parts of the main valve to allow for use in the following situations.

1. When a lubricant other than the recommended turbine oil is used and there is a possibility of malfunction due to swelling of the spool valve seals
2. In environments where ozone may enter or is generated in the air supply

Part no. SJ $\frac{2}{3}$ [] 60 [] (T) - [] [] [] [] [] - [] - [] -X90

• The entry is the same as that of the standard model.

* As fluororubber is only used for the main valve of the -X90 series, use in environments requiring heat resistance should be avoided.

2 Spring Return Specification (Dual 3-port Valve N.C./N.C.)

Symbol
-X110

When the supply pressure is exhausted, the main valve is forcibly returned to the OFF position by the built-in spring.

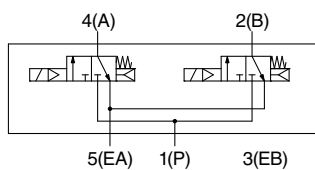
Part no. SJ1A60(K)T - [] [] [] [] [] - [] -X110

• The entry is the same as that of the standard model.

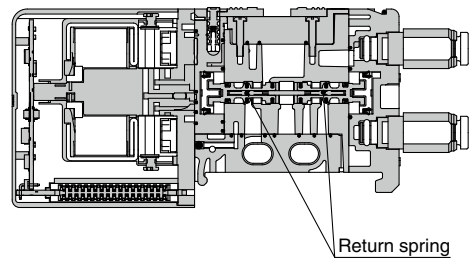
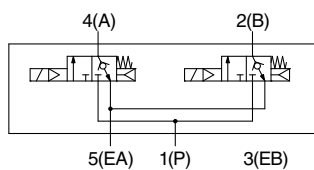
Response time: 20 ms
Max. operating frequency: 3 Hz
For other specifications, refer to the standard model.

Symbol

SJ1A60T



SJ1A60KT (With back pressure check valve)



3 Low-profile SUP/EXH Block Specification

The low-profile SUP/EXH block is 10.2 mm, which is smaller than the 15.5 mm standard SUP/EXH block. This reduction results in space saving. The 1(P) port and the 3/5(E) port fittings are straight union (metric size) C6s: $\varnothing 6$ One-touch fittings.

4-port solenoid valve

Plug-in

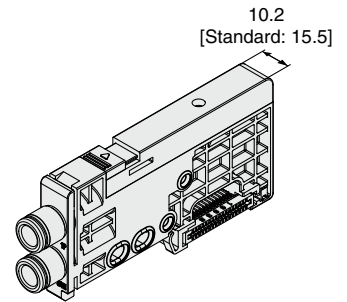
Part no. **SS5J** $\frac{1}{2}$ $\frac{2}{3}$ - **60** **D** - - **X225**

- The entry is the same as that of the standard model. However, there is no setting required for the pilot specification with a built-in silencer (S, RS).

Non plug-in

Part no. **SS5J** $\frac{2}{3}$ - **60** - - **X225**

- The entry is the same as that of the standard model. However, there is no setting required for the pilot specification with a built-in silencer (S, RS).



- * When the flow rate is insufficient, such as during the simultaneous operation of multiple valves, select the supply/exhaust block mounting position [B (both sides)] or use the standard manifold without using the -X225.
- * When ordering a manifold, specify the part nos. of the valves to be mounted on it. (An order cannot be placed with only the manifold part no.)
- * Check the "How to Order Manifolds" section of each valve to be mounted.
- * There is a made-to-order option that makes it so dual-flow fittings, etc., cannot be built into the manifold. Refer to the "Manifold Specifications Sheet" for more information.
- * When a silencer (AN10-C6) is used, it cannot be mounted next to a 3-position valve or a speed controller.

Flow Rate Characteristics

Series	Port size		Flow rate characteristics					
	1(P) 3/5(E)	4, 2 (A, B)	1 → 4/2 (P → A/B)			4/2 → 3/5 (A/B → E)		
			C [dm ³ /(s·bar)]	b	Cv	C [dm ³ /(s·bar)]	b	Cv
SJ1000	C6	C2	0.12	0.54	0.04	0.13	0.49	0.04
		C4	0.26	0.29	0.07	0.30	0.23	0.08
SJ2000	C6	C2	0.13	0.55	0.04	0.13	0.53	0.04
		C4	0.30	0.31	0.08	0.34	0.33	0.08
		M3	0.18	0.48	0.06	0.20	0.26	0.06
SJ3000	C6	C2	0.13	0.66	0.04	0.14	0.60	0.04
		C4	0.38	0.17	0.10	0.45	0.15	0.11
		C6	0.45	0.19	0.12	0.51	0.19	0.12
		M5	0.40	0.26	0.11	0.45	0.18	0.11

- * The values are for an individually operated 2-position type manifold base with 5 stations.
- * Excludes the SJ3000A (large flow type) and SJ4000

3 Low-profile SUP/EXH Block Specification

-X225

Common Specifications

Construction

Plug-in

D-sub Flat Ribbon

EX510 EX180

Non Plug-in

Individual Wiring

Manifold Options

Made to Order

SJ3A6

Common Spec. Construction

Plug-in

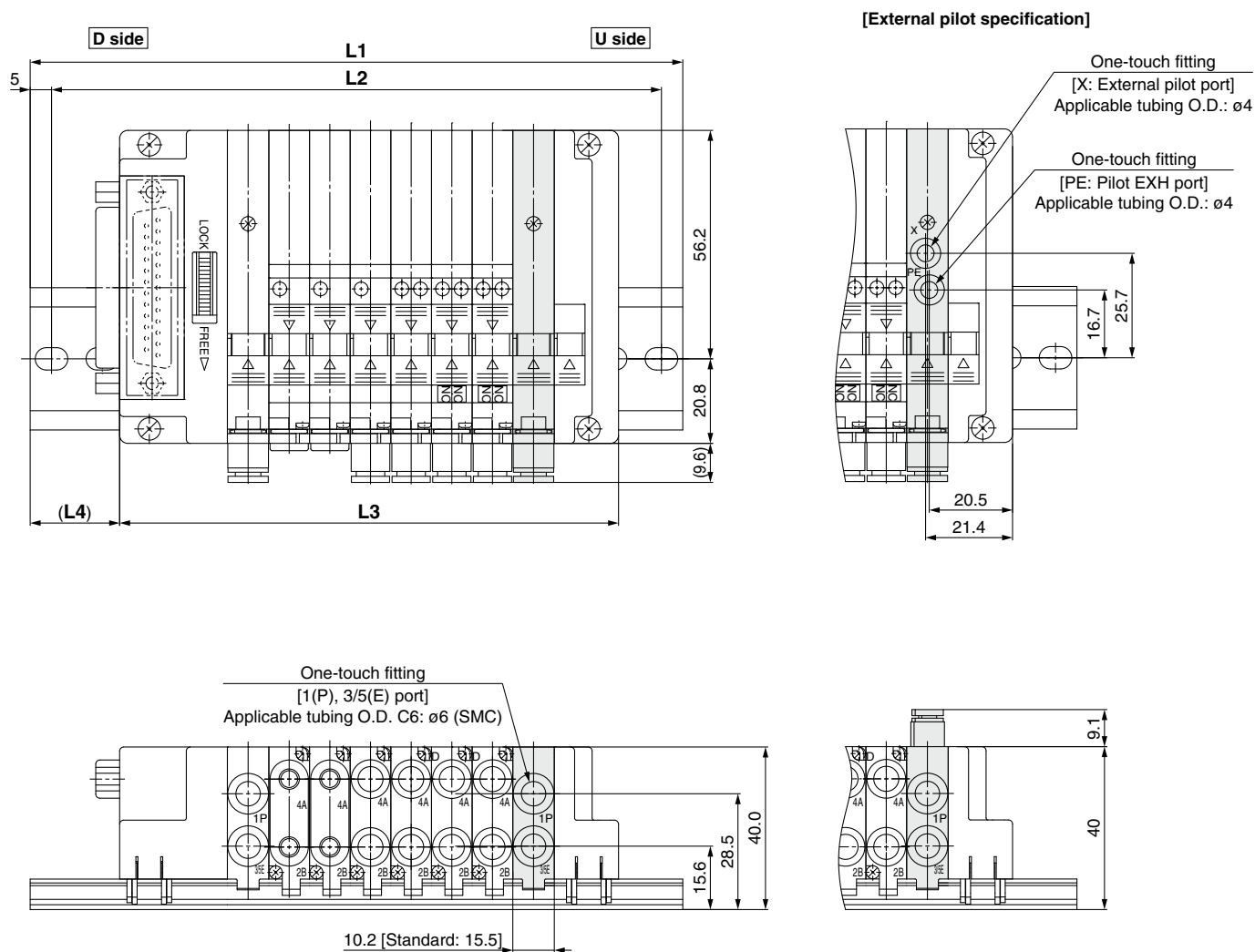
D-sub Flat Ribbon Serial

Non Plug-in

Individual Wiring

Specific Product Precautions

Dimensions



L: Dimensions

SS5J1-60FD□-□U-X225

n: Stations

L \ n	1	2	3	4	5	6	7	8	9	10	11	12	13	14	15	16	17	18	19	20	21	22	23	24
L1	98	98	110.5	110.5	123	123	135.5	135.5	148	148	160.5	160.5	173	173	185.5	185.5	198	210.5	210.5	223	223	235.5	235.5	248
L2	87.5	87.5	100	100	112.5	112.5	125	125	137.5	137.5	150	150	162.5	162.5	175	175	187.5	200	200	212.5	212.5	225	225	237.5
L3	59	65.5	72	78.5	85	91.5	98	104.5	111	117.5	124	130.5	137	143.5	150	156.5	163	169.5	176	182.5	189	195.5	202	208.5
L4	22.5	19	22	19	22	18.5	21.5	18.5	21.5	18	21	18	21	17.5	20.5	17.5	20.5	23.5	20	23	20	23	19.5	22.5

SS5J1-60FD□-□B-X225

n: Stations

L \ n	1	2	3	4	5	6	7	8	9	10	11	12	13	14	15	16	17	18	19	20	21	22	23	24
L1	110.5	110.5	123	123	135.5	135.5	148	148	160.5	160.5	173	173	185.5	185.5	198	198	210.5	210.5	223	223	235.5	235.5	248	248
L2	100	100	112.5	112.5	125	125	137.5	137.5	150	150	162.5	162.5	175	175	187.5	187.5	200	200	212.5	212.5	225	225	237.5	237.5
L3	69.2	75.7	82.2	88.7	95.2	101.7	108.2	114.7	121.2	127.7	134.2	140.7	147.2	153.7	160.2	166.7	173.2	179.7	186.2	192.7	199.2	205.7	212.2	218.7
L4	23.5	20.5	23.5	20	23	20	23	19.5	22.5	19.5	22.5	19	22	19	22	18.5	21.5	18.5	21.5	18	21	18	21	17.5

SJ1000/2000/3000 Series

3 Low-profile SUP/EXH Block Specification

Symbol
-X225

L: Dimensions

SS5J1-60PD□-□U-X225

n: Stations

L \ n	1	2	3	4	5	6	7	8	9	10	11	12	13	14	15	16	17	18	19	20	21	22	23	24
L1	98	98	110.5	110.5	123	123	135.5	135.5	148	148	160.5	160.5	173	185.5	185.5	198	198	210.5	210.5	223	223	235.5	235.5	248
L2	87.5	87.5	100	100	112.5	112.5	125	125	137.5	137.5	150	150	162.5	175	175	187.5	187.5	200	200	212.5	212.5	225	225	237.5
L3	59	65.5	72	78.5	85	91.5	98	104.5	111	117.5	124	130.5	137	143.5	150	156.5	163	169.5	176	182.5	189	195.5	202	208.5
L4	23	19.5	22.5	19.5	22.5	19	22	19	22	18.5	21.5	18.5	21.5	24.5	21	24	21	24	20.5	23.5	20.5	23.5	20	23

SS5J1-60PD□-□B-X225

n: Stations

L \ n	1	2	3	4	5	6	7	8	9	10	11	12	13	14	15	16	17	18	19	20	21	22	23	24
L1	110.5	110.5	123	123	135.5	135.5	148	148	160.5	160.5	173	173	185.5	185.5	198	198	210.5	210.5	223	223	235.5	235.5	248	260.5
L2	100	100	112.5	112.5	125	125	137.5	137.5	150	150	162.5	162.5	175	175	187.5	187.5	200	200	212.5	212.5	225	225	237.5	250
L3	69.2	75.7	82.2	88.7	95.2	101.7	108.2	114.7	121.2	127.7	134.2	140.7	147.2	153.7	160.2	166.7	173.2	179.7	186.2	192.7	199.2	205.7	212.2	218.7
L4	24	20.5	23.5	20.5	23.5	20	23	20	23	19.5	22.5	19.5	22.5	19	22	19	22	18.5	21.5	18.5	21.5	18	21	24

SS5J1-60SV/Q□D-□U-X225

n: Stations

L \ n	1	2	3	4	5	6	7	8	9	10	11	12	13	14	15	16
L1	123	123	135.5	135.5	148	148	160.5	160.5	173	173	185.5	185.5	198	198	210.5	210.5
L2	112.5	112.5	125	125	137.5	137.5	150	150	162.5	162.5	175	175	187.5	187.5	200	200
L3	89.4	95.9	102.4	108.9	115.4	121.9	128.4	134.9	141.4	147.9	154.4	160.9	167.4	173.9	180.4	186.9
L4	17	13.5	16.5	13.5	16.5	13	16	13	16	12.5	15.5	12.5	15.5	12	15	12
L \ n	17	18	19	20	21	22	23	24	25	26	27	28	29	30	31	32
L1	223	223	235.5	248	248	260.5	260.5	273	273	285.5	285.5	298	298	310.5	310.5	323
L2	212.5	212.5	225	237.5	237.5	250	250	262.5	262.5	275	275	287.5	287.5	300	300	312.5
L3	193.4	199.9	206.4	212.9	219.4	225.9	232.4	238.9	245.4	251.9	258.4	264.9	271.4	277.9	284.4	290.9
L4	15	11.5	14.5	17.5	14.5	17.5	14	17	14	17	13.5	16.5	13.5	16.5	13	16

SS5J1-60SV/Q□D-□B-X225

n: Stations

L \ n	1	2	3	4	5	6	7	8	9	10	11	12	13	14	15	16
L1	123	135.5	148	148	160.5	160.5	173	173	185.5	185.5	198	198	210.5	210.5	223	223
L2	112.5	125	137.5	137.5	150	150	162.5	162.5	175	175	187.5	187.5	200	200	212.5	212.5
L3	99.6	106.1	112.6	119.1	125.6	132.1	138.6	145.1	151.6	158.1	164.6	171.1	177.6	184.1	190.6	197.1
L4	11.5	14.5	17.5	14.5	17.5	14	17	14	17	13.5	16.5	13.5	16.5	13	16	13
L \ n	17	18	19	20	21	22	23	24	25	26	27	28	29	30	31	32
L1	235.5	235.5	248	248	260.5	260.5	273	273	285.5	285.5	298	310.5	310.5	323	323	335.5
L2	225	225	237.5	237.5	250	250	262.5	262.5	275	275	287.5	300	300	312.5	312.5	325
L3	203.6	210.1	216.6	223.1	229.6	236.1	242.6	249.1	255.6	262.1	268.6	275.1	281.6	288.1	294.6	301.1
L4	16	12.5	15.5	12.5	15.5	12	15	12	15	11.5	14.5	17.5	14.5	17.5	14	17

SS5J1-60S6B□D-□U-X225

n: Stations

L \ n	1	2	3	4	5	6	7	8	9	10	11	12	13	14	15	16
L1	135.5	148	148	160.5	160.5	173	173	185.5	185.5	198	198	210.5	210.5	223	223	235.5
L2	125	137.5	137.5	150	150	162.5	162.5	175	175	187.5	187.5	200	200	212.5	212.5	225
L3	106.6	113.1	119.6	126.1	132.6	139.1	145.6	152.1	158.6	165.1	171.6	178.1	184.6	191.1	197.6	204.1
L4	14.5	17.5	14	17	14	17	13.5	16.5	13.5	16.5	13	16	13	16	12.5	15.5

SS5J1-60S6B□D-□B-X225

n: Stations

L \ n	1	2	3	4	5	6	7	8	9	10	11	12	13	14	15	16
L1	148	148	160.5	160.5	173	173	185.5	185.5	198	210.5	210.5	223	223	235.5	235.5	248
L2	137.5	137.5	150	150	162.5	162.5	175	175	187.5	200	200	212.5	212.5	225	225	237.5
L3	116.8	123.3	129.8	136.3	142.8	149.3	155.8	162.3	168.8	175.3	181.8	188.3	194.8	201.3	207.8	214.3
L4	15.5	12.5	15.5	12	15	12	15	11.5	14.5	17.5	14.5	17.5	14	17	14	17

3 Low-profile SUP/EXH Block Specification

Symbol
-X225

L: Dimensions

SS5J2-60FD□-□U-X225

n: Stations

L \ n	1	2	3	4	5	6	7	8	9	10	11	12	13	14	15	16	17	18	19	20	21	22	23	24
L1	98	98	110.5	123	123	135.5	135.5	148	160.5	160.5	173	173	185.5	198	198	210.5	210.5	223	235.5	235.5	248	248	260.5	273
L2	87.5	87.5	100	112.5	112.5	125	125	137.5	150	150	162.5	162.5	175	187.5	187.5	200	200	212.5	225	225	237.5	237.5	250	262.5
L3	60	67.5	75	82.5	90	97.5	105	112.5	120	127.5	135	142.5	150	157.5	165	172.5	180	187.5	195	202.5	210	217.5	225	232.5
L4	22	18	20.5	23	19.5	22	18	20.5	23	19.5	22	18	20.5	23	19.5	22	18	20.5	23	19.5	22	18	20.5	23

SS5J2-60FD□-□B-X225

n: Stations

L \ n	1	2	3	4	5	6	7	8	9	10	11	12	13	14	15	16	17	18	19	20	21	22	23	24
L1	110.5	110.5	123	123	135.5	148	148	160.5	160.5	173	185.5	185.5	198	198	210.5	223	223	235.5	235.5	248	260.5	260.5	273	273
L2	100	100	112.5	112.5	125	137.5	137.5	150	150	162.5	175	175	187.5	187.5	200	212.5	212.5	225	225	237.5	250	250	262.5	262.5
L3	70.2	77.7	85.2	92.7	100.2	107.7	115.2	122.7	130.2	137.7	145.2	152.7	160.2	167.7	175.2	182.7	190.2	197.7	205.2	212.7	220.2	227.7	235.2	242.7
L4	23	19.5	22	18	20.5	23	19.5	22	18	20.5	23	19.5	22	18	20.5	23	19.5	22	18	20.5	23	19.5	22	18

SS5J2-60PD□-□U-X225

n: Stations

L \ n	1	2	3	4	5	6	7	8	9	10	11	12	13	14	15	16	17	18	19	20	21	22	23	24
L1	98	98	110.5	123	123	135.5	135.5	148	160.5	160.5	173	173	185.5	198	198	210.5	210.5	223	235.5	235.5	248	248	260.5	273
L2	87.5	87.5	100	112.5	112.5	125	125	137.5	150	150	162.5	162.5	175	187.5	187.5	200	200	212.5	225	225	237.5	237.5	250	262.5
L3	60	67.5	75	82.5	90	97.5	105	112.5	120	127.5	135	142.5	150	157.5	165	172.5	180	187.5	195	202.5	210	217.5	225	232.5
L4	22.5	18.5	21	23.5	20	22.5	18.5	21	23.5	20	22.5	18.5	21	23.5	20	22.5	18.5	21	23.5	20	22.5	18.5	21	23.5

SS5J2-60PD□-□B-X225

n: Stations

L \ n	1	2	3	4	5	6	7	8	9	10	11	12	13	14	15	16	17	18	19	20	21	22	23	24
L1	110.5	110.5	123	123	135.5	148	148	160.5	160.5	173	185.5	185.5	198	198	210.5	223	223	235.5	235.5	248	260.5	260.5	273	273
L2	100	100	112.5	112.5	125	137.5	137.5	150	150	162.5	175	175	187.5	187.5	200	212.5	212.5	225	225	237.5	250	250	262.5	262.5
L3	70.2	77.7	85.2	92.7	100.2	107.7	115.2	122.7	130.2	137.7	145.2	152.7	160.2	167.7	175.2	182.7	190.2	197.7	205.2	212.7	220.2	227.7	235.2	242.7
L4	23.5	19.5	22	18.5	21	23.5	19.5	22	18.5	21	23.5	19.5	22	18.5	21	23.5	19.5	22	18.5	21	23.5	19.5	22	18.5

SS5J2-60SV/Q□D-□U-X225

n: Stations

L \ n	1	2	3	4	5	6	7	8	9	10	11	12	13	14	15	16
L1	123	123	135.5	148	148	160.5	160.5	173	185.5	185.5	198	198	210.5	223	223	235.5
L2	112.5	112.5	125	137.5	137.5	150	150	162.5	175	175	187.5	187.5	200	212.5	212.5	225
L3	90.4	97.9	105.4	112.9	120.4	127.9	135.4	142.9	150.4	157.9	165.4	172.9	180.4	187.9	195.4	202.9
L4	16.5	12.5	15	17.5	14	16.5	12.5	15	17.5	14	16.5	12.5	15	17.5	14	16.5

L \ n	17	18	19	20	21	22	23	24	25	26	27	28	29	30	31	32
L1	235.5	248	260.5	260.5	273	273	285.5	298	298	310.5	310.5	323	335.5	335.5	348	348
L2	225	237.5	250	250	262.5	262.5	275	287.5	287.5	300	300	312.5	325	325	337.5	337.5
L3	210.4	217.9	225.4	232.9	240.4	247.9	255.4	262.9	270.4	277.9	285.4	292.9	300.4	307.9	315.4	322.9
L4	12.5	15	17.5	14	16.5	12.5	15	17.5	14	16.5	12.5	15	17.5	14	16.5	12.5

SS5J2-60SV/Q□D-□B-X225

n: Stations

L \ n	1	2	3	4	5	6	7	8	9	10	11	12	13	14	15	16
L1	135.5	135.5	148	148	160.5	173	173	185.5	185.5	198	210.5	210.5	223	223	235.5	248
L2	125	125	137.5	137.5	150	162.5	162.5	175	175	187.5	200	200	212.5	212.5	225	237.5
L3	100.6	108.1	115.6	123.1	130.6	138.1	145.6	153.1	160.6	168.1	175.6	183.1	190.6	198.1	205.6	213.1
L4	17.5	13.5	16	12.5	15	17.5	13.5	16	12.5	15	17.5	13.5	16	12.5	15	17.5

L \ n	17	18	19	20	21	22	23	24	25	26	27	28	29	30	31	32
L1	248	260.5	260.5	273	285.5	285.5	298	298	310.5	323	323	335.5	335.5	348	360.5	360.5
L2	237.5	250	250	262.5	275	275	287.5	287.5	300	312.5	312.5	325	325	337.5	350	350
L3	220.6	228.1	235.6	243.1	250.6	258.1	265.6	273.1	280.6	288.1	295.6	303.1	310.6	318.1	325.6	333.1
L4	13.5	16	12.5	15	17.5	13.5	16	12.5	15	17.5	13.5	16	12.5	15	17.5	13.5

Common Specifications

Construction

Plug-in

D-sub Flat Ribbon

EX180 EX180

EX510 EX180

Non Plug-in

Individual Wiring

Manifold Options

Made to Order

SJ3A6

Common Spec. Construction

Plug-in

D-sub Flat Ribbon Serial

Non Plug-in

Individual Wiring

Specific Product Precautions

SJ1000/2000/3000 Series

Symbol
-X225

3 Low-profile SUP/EXH Block Specification

L: Dimensions

SS5J2-60S6B□D-□U-X225

n: Stations

L \ n	1	2	3	4	5	6	7	8	9	10	11	12	13	14	15	16
L1	135.5	148	148	160.5	173	173	185.5	185.5	198	210.5	210.5	223	235.5	235.5	248	248
L2	125	137.5	137.5	150	162.5	162.5	175	175	187.5	200	200	212.5	225	225	237.5	237.5
L3	107.6	115.1	122.6	130.1	137.6	145.1	152.6	160.1	167.6	175.1	182.6	190.1	197.6	205.1	212.6	220.1
L4	14	16.5	12.5	15	17.5	14	16.5	12.5	15	17.5	14	16.5	19	15	17.5	14

SS5J2-60S6B□D-□B-X225

n: Stations

L \ n	1	2	3	4	5	6	7	8	9	10	11	12	13	14	15	16
L1	148	160.5	160.5	173	173	185.5	198	198	210.5	210.5	223	235.5	235.5	248	260.5	260.5
L2	137.5	150	150	162.5	162.5	175	187.5	187.5	200	200	212.5	225	225	237.5	250	250
L3	117.8	125.3	132.8	140.3	147.8	155.3	162.8	170.3	177.8	185.3	192.8	200.3	207.8	215.3	222.8	230.3
L4	15	17.5	14	16.5	12.5	15	17.5	14	16.5	12.5	15	17.5	14	16.5	19	15

SS5J2-60-□U-X225

n: Stations

L \ n	1	2	3	4	5	6	7	8	9	10	11	12	13	14	15	16	17	18	19	20
L1	85.5	85.5	98	98	110.5	123	123	135.5	135.5	148	160.5	160.5	173	173	185.5	198	198	210.5	210.5	223
L2	75	75	87.5	87.5	100	112.5	112.5	125	125	137.5	150	150	162.5	162.5	175	187.5	187.5	200	200	212.5
L3	50.4	57.9	65.4	72.9	80.4	87.9	95.4	102.9	110.4	117.9	125.4	132.9	140.4	147.9	155.4	162.9	170.4	177.9	185.4	192.9
L4	17.5	14	16.5	12.5	15	17.5	14	16.5	12.5	15	17.5	14	16.5	12.5	15	17.5	14	16.5	12.5	15

SS5J2-60-□B-X225

n: Stations

L \ n	1	2	3	4	5	6	7	8	9	10	11	12	13	14	15	16	17	18	19	20
L1	85.5	98	110.5	110.5	123	123	135.5	148	148	160.5	160.5	173	185.5	185.5	198	198	210.5	223	223	235.5
L2	75	87.5	100	100	112.5	112.5	125	137.5	137.5	150	150	162.5	175	175	187.5	187.5	200	212.5	212.5	225
L3	60.6	68.1	75.6	83.1	90.6	98.1	105.6	113.1	120.6	128.1	135.6	143.1	150.6	158.1	165.6	173.1	180.6	188.1	195.6	203.1
L4	12.5	15	17.5	13.5	16	12.5	15	17.5	13.5	16	12.5	15	17.5	13.5	16	12.5	15	17.5	13.5	16

SS5J3-60FD□-□U-X225

n: Stations

L \ n	1	2	3	4	5	6	7	8	9	10	11	12	13	14	15	16	17	18	19	20	21	22	23	24
L1	98	110.5	123	123	135.5	148	160.5	173	185.5	185.5	198	210.5	223	235.5	235.5	248	260.5	273	285.5	285.5	298	310.5	323	335.5
L2	87.5	100	112.5	112.5	125	137.5	150	162.5	175	175	187.5	200	212.5	225	225	237.5	250	262.5	275	275	287.5	300	312.5	325
L3	62.5	72.5	82.5	92.5	102.5	112.5	122.5	132.5	142.5	152.5	162.5	172.5	182.5	192.5	202.5	212.5	222.5	232.5	242.5	252.5	262.5	272.5	282.5	292.5
L4	20.5	22	23	18	19	20	21.5	22.5	23.5	18.5	19.5	21	22	23	18	19	20.5	21.5	22.5	17.5	18.5	20	21	22

SS5J3-60FD□-□B-X225

n: Stations

L \ n	1	2	3	4	5	6	7	8	9	10	11	12	13	14	15	16	17	18	19	20	21	22	23	24
L1	110.5	123	123	135.5	148	160.5	173	185.5	185.5	198	210.5	223	235.5	235.5	248	260.5	273	285.5	285.5	298	310.5	323	335.5	348
L2	100	112.5	112.5	125	137.5	150	162.5	175	175	187.5	200	212.5	225	225	237.5	250	262.5	275	275	287.5	300	312.5	325	337.5
L3	72.7	82.7	92.7	102.7	112.7	122.7	132.7	142.7	152.7	162.7	172.7	182.7	192.7	202.7	212.7	222.7	232.7	242.7	252.7	262.7	272.7	282.7	292.7	302.7
L4	22	23	18	19	20	21.5	22.5	23.5	18.5	19.5	21	22	23	18	19	20.5	21.5	22.5	17.5	18.5	20	21	22	23

SS5J3-60PD□-□U-X225

n: Stations

L \ n	1	2	3	4	5	6	7	8	9	10	11	12	13	14	15	16	17	18	19	20	21	22	23	24
L1	98	110.5	123	123	135.5	148	160.5	173	185.5	185.5	198	210.5	223	235.5	235.5	248	260.5	273	285.5	298	298	310.5	323	335.5
L2	87.5	100	112.5	112.5	125	137.5	150	162.5	175	175	187.5	200	212.5	225	225	237.5	250	262.5	275	287.5	287.5	300	312.5	325
L3	62.5	72.5	82.5	92.5	102.5	112.5	122.5	132.5	142.5	152.5	162.5	172.5	182.5	192.5	202.5	212.5	222.5	232.5	242.5	252.5	262.5	272.5	282.5	292.5
L4	21	22	23.5	18	19.5	20.5	21.5	23	24	19	20	21	22.5	23.5	18.5	19.5	20.5	22	23	24	19	20	21.5	22.5

SS5J3-60PD□-□B-X225

n: Stations

L \ n	1	2	3	4	5	6	7	8	9	10	11	12	13	14	15	16	17	18	19	20	21	22	23	24
L1	110.5	123	123	135.5	148	160.5	173	185.5	185.5	198	210.5	223	235.5	235.5	248	260.5	273	285.5	298	298	310.5	323	335.5	348
L2	100	112.5	112.5	125	137.5	150	162.5	175	175	187.5	200	212.5	225	225	237.5	250	262.5	275	287.5	287.5	300	312.5	325	337.5
L3	72.7	82.7	92.7	102.7	112.7	122.7	132.7	142.7	152.7	162.7	172.7	182.7	192.7	202.7	212.7	222.7	232.7	242.7	252.7	262.7	272.7	282.7	292.7	302.7
L4	22	23.5	18	19.5	20.5	21.5	23	24	19	20	21	22.5	23.5	18.5	19.5	20.5	22	23	24	19	20	21.5	22.5	23.5

3 Low-profile SUP/EXH Block Specification

L: Dimensions

SS5J3-60SV/Q□D-□U-X225

n: Stations

L \ n	1	2	3	4	5	6	7	8	9	10	11	12	13	14	15	16
L1	123	135.5	148	148	160.5	173	185.5	198	198	210.5	223	235.5	248	260.5	260.5	273
L2	112.5	125	137.5	137.5	150	162.5	175	187.5	187.5	200	212.5	225	237.5	250	250	262.5
L3	92.9	102.9	112.9	122.9	132.9	142.9	152.9	162.9	172.9	182.9	192.9	202.9	212.9	222.9	232.9	242.9
L4	15	16	17.5	12	13.5	14.5	15.5	17	11.5	13	14	15	16.5	17.5	12.5	13.5

L \ n	17	18	19	20	21	22	23	24	25	26	27	28	29	30	31	32
L1	285.5	298	310.5	310.5	323	335.5	348	360.5	373	373	385.5	398	410.5	423	423	435.5
L2	275	287.5	300	300	312.5	325	337.5	350	362.5	362.5	375	387.5	400	412.5	412.5	425
L3	252.9	262.9	272.9	282.9	292.9	302.9	312.9	322.9	332.9	342.9	352.9	362.9	372.9	382.9	392.9	402.9
L4	14.5	16	17	12	13	14	15.5	16.5	17.5	12.5	13.5	15	16	17	12	13

SS5J3-60SV/Q□D-□B-X225

n: Stations

L \ n	1	2	3	4	5	6	7	8	9	10	11	12	13	14	15	16
L1	135.5	148	148	160.5	173	185.5	198	198	210.5	223	235.5	248	260.5	260.5	273	285.5
L2	125	137.5	137.5	150	162.5	175	187.5	187.5	200	212.5	225	237.5	250	250	262.5	275
L3	103.1	113.1	123.1	133.1	143.1	153.1	163.1	173.1	183.1	193.1	203.1	213.1	223.1	233.1	243.1	253.1
L4	16	17.5	12	13.5	14.5	15.5	17	11.5	13	14	15	16.5	17.5	12.5	13.5	14.5

L \ n	17	18	19	20	21	22	23	24	25	26	27	28	29	30	31	32
L1	298	310.5	310.5	323	335.5	348	360.5	373	373	385.5	398	410.5	423	423	435.5	448
L2	287.5	300	300	312.5	325	337.5	350	362.5	362.5	375	387.5	400	412.5	412.5	425	437.5
L3	263.1	273.1	283.1	293.1	303.1	313.1	323.1	333.1	343.1	353.1	363.1	373.1	383.1	393.1	403.1	413.1
L4	16	17	12	13	14	15.5	16.5	17.5	12.5	13.5	15	16	17	12	13	14.5

SS5J3-60S6B□D-□U-X225

n: Stations

L \ n	1	2	3	4	5	6	7	8	9	10	11	12	13	14	15	16
L1	135.5	148	160.5	173	185.5	185.5	198	210.5	223	235.5	235.5	248	260.5	273	285.5	298
L2	125	137.5	150	162.5	175	175	187.5	200	212.5	225	225	237.5	250	262.5	275	287.5
L3	110.1	120.1	130.1	140.1	150.1	160.1	170.1	180.1	190.1	200.1	210.1	220.1	230.1	240.1	250.1	260.1
L4	12.5	14	15	16.5	17.5	12.5	14	15	16.5	17.5	12.5	14	15	16.5	17.5	19

SS5J3-60S6B□D-□B-X225

n: Stations

L \ n	1	2	3	4	5	6	7	8	9	10	11	12	13	14	15	16
L1	148	160.5	173	185.5	185.5	198	210.5	223	235.5	235.5	248	260.5	273	285.5	298	298
L2	137.5	150	162.5	175	175	187.5	200	212.5	225	225	237.5	250	262.5	275	287.5	287.5
L3	120.3	130.3	140.3	150.3	160.3	170.3	180.3	190.3	200.3	210.3	220.3	230.3	240.3	250.3	260.3	270.3
L4	14	15	16.5	17.5	12.5	14	15	16.5	17.5	12.5	14	15	16.5	17.5	19	14

SS5J3-60-□U-X225

n: Stations

L \ n	1	2	3	4	5	6	7	8	9	10	11	12	13	14	15	16	17	18	19	20
L1	85.5	98	98	110.5	123	135.5	148	148	160.5	173	185.5	198	210.5	210.5	223	235.5	248	260.5	260.5	273
L2	75	87.5	87.5	100	112.5	125	137.5	137.5	150	162.5	175	187.5	200	200	212.5	225	237.5	250	250	262.5
L3	52.9	62.9	72.9	82.9	92.9	102.9	112.9	122.9	132.9	142.9	152.9	162.9	172.9	182.9	192.9	202.9	212.9	222.9	232.9	242.9
L4	16	17.5	12.5	13.5	14.5	15.5	17	12	13	14	15	16.5	17.5	12.5	13.5	14.5	16	17	12	13

SS5J3-60-□B-X225

n: Stations

L \ n	1	2	3	4	5	6	7	8	9	10	11	12	13	14	15	16	17	18	19	20
L1	98	98	110.5	123	135.5	148	148	160.5	173	185.5	198	210.5	210.5	223	235.5	248	260.5	260.5	273	285.5
L2	87.5	87.5	100	112.5	125	137.5	137.5	150	162.5	175	187.5	200	200	212.5	225	237.5	250	250	262.5	275
L3	63.1	73.1	83.1	93.1	103.1	113.1	123.1	133.1	143.1	153.1	163.1	173.1	183.1	193.1	203.1	213.1	223.1	233.1	243.1	253.1
L4	17.5	12.5	13.5	14.5	15.5	17	12	13	14	15	16.5	17.5	12.5	13.5	14.5	16	17	12	13	14

Common Specifications

Construction

Plug-in

D-sub Flat Ribbon

EX180 EX150

EX510 EX180

Non Plug-in

Individual Wiring

Manifold Options

Made to Order

SJ3A6

Common Spec. Construction

Plug-in

D-sub Flat Ribbon Serial

Non Plug-in

Individual Wiring

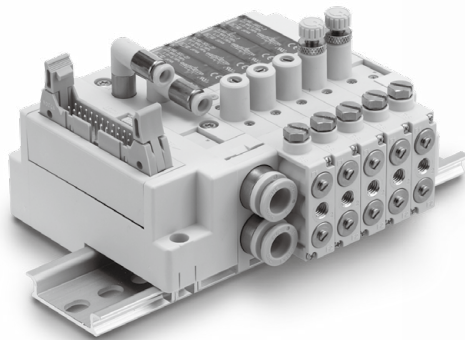
Specific Product Precautions

Vacuum Release Valve with Restrictor

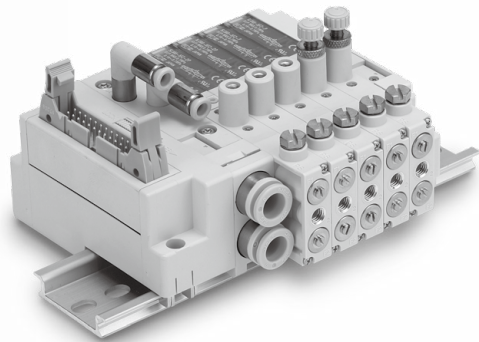
SJ3A6 Series

Plug-in Type

p. 127 **Connector Connection**
D-sub Connector
Flat Ribbon Cable
Serial Wiring: EX180
Serial Wiring: EX510

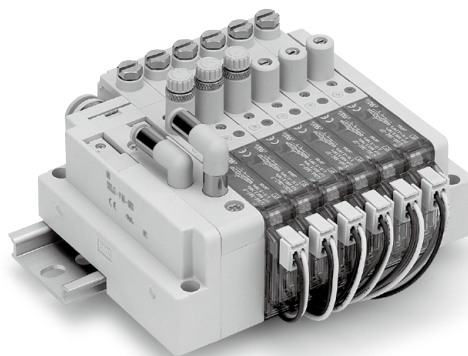


p. 129 **Cable Connection**
D-sub Connector
Flat Ribbon Cable



Non Plug-in Type Individual Wiring

p. 133 **Individual Wiring**



SJ
1000
2000
3000
4000

Common
Specifications

Construction

Plug-in

D-sub
Flat Ribbon

EX180
EX510

Non
Plug-in

Individual
Wiring

Manifold
Options

Made to
Order

SJ3A6

Common Spec.
Construction

Plug-in

D-sub
Flat Ribbon
Serial

Non
Plug-in

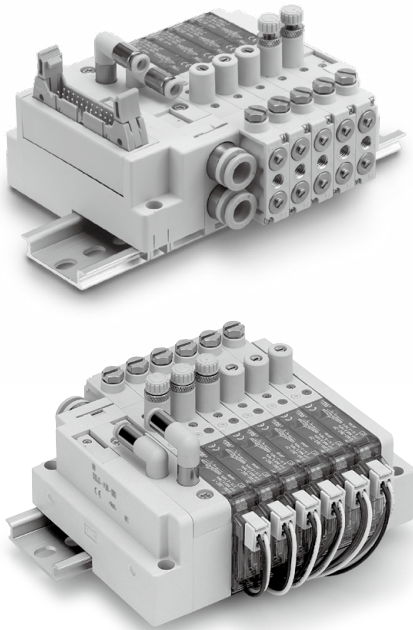
Individual
Wiring

Specific Product
Precautions

Vacuum Release Valve with Restrictor

SJ3A6 Series

Common Specifications



Manifold Valve Specifications

Valve construction		3-position 3-port valve with restrictor
Fluid		Air
Operating pressure range [MPa]	Release pressure port 1(P)	0.25 to 0.7
	Vacuum pressure port 3/5(E)	-100 kPa to 0.7* ¹
	Pilot X port	0.25 to 0.7* ²
Ambient and fluid temperatures [°C]		-10 to 50 (No freezing)
Max. operating frequency [Hz]		3
Manual override (Manual operation)		Non-locking push type
		Push-turn locking slotted type
Restrictor operation		Manual
		Slotted locking type
Pilot method		External pilot/Pilot valve individual exhaust
Lubrication		Not required
Mounting orientation		Unrestricted
Impact/Vibration resistance [m/s²]*³		150/30
Enclosure		Dustproof

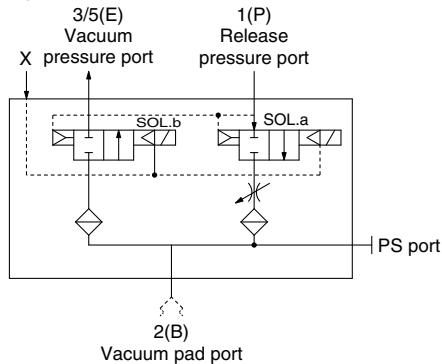
*1 Can be used with positive pressure to suit the application

*2 Please use with pilot X port pressure equal to or higher than the release port 1(P) pressure.

*3 Impact resistance : No malfunction occurred when it is tested with a drop tester in the axial direction and at the right angles to the main valve and armature in both energized and de-energized states every once for each condition. (Value in the initial state)

Vibration resistance: No malfunction occurred in one sweep test between 45 and 2000 Hz in the axial direction and at the right angles to the main valve and armature in both energized and de-energized states for each condition. (Value in the initial state)

Symbol



Solenoid Specifications

Coil rated voltage		24 VDC, 12 VDC
Allowable voltage fluctuation		±10% of rated voltage* ¹
Power consumption [W]	Standard	0.4
	With power-saving circuit (Continuous duty type)	0.15* ² [Starting 0.4, Holding 0.15]
Surge voltage suppressor		Diode
Indicator type		LED

*1 For the allowable voltage fluctuation for Z/T type (with power-saving circuit), please observe the following range because they have voltage drop due to internal circuit.

Z type 24 VDC: -7% to +10%

12 VDC: -4% to +10%

T type 24 VDC: -5% to +10%

12 VDC: -6% to +10%

*2 Refer to page 140 for details.

Response Time

Valve model	Response time [ms] (at 0.5 MPa)
SJ3A6-□□-□	19

Weight

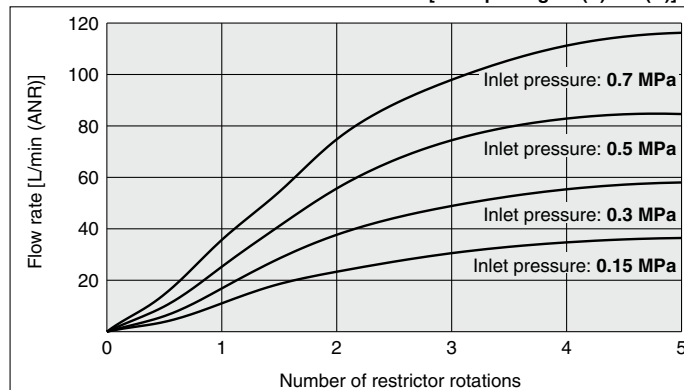
Valve model	Weight [g]
SJ3A6-□□-P	79

Flow Rate Characteristics

Flow Rate Characteristics (When restrictor is fully open)

Valve model	Fluid passage 2(B) Port size	1(P) → 2(B)			2(B) → 3/5(E)		
		C [dm ³ /(s·bar)]	b	Cv	C [dm ³ /(s·bar)]	b	Cv
SJ3A6-□□-□	M5	0.24	0.19	0.05	0.40	0.18	0.10

Restrictor Flow Rate Characteristics [Fluid passage: 1(P) → 2(B)]



SJ3A6 Series Construction/Circuit Example

SJ
1000
2000
3000
4000

Common
Specifications

Construction

Plug-in

D-sub
Flat Ribbon

EX510 EX180

Non
Plug-in

Individual
Wiring

Manifold
Options

Made to
Order

SJ3A6

Common Spec.
Construction

Plug-in

D-sub
Flat Ribbon
Serial

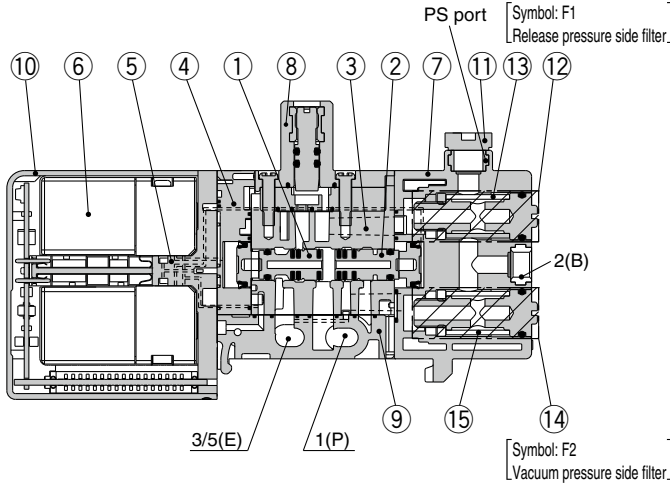
Non
Plug-in

Individual
Wiring

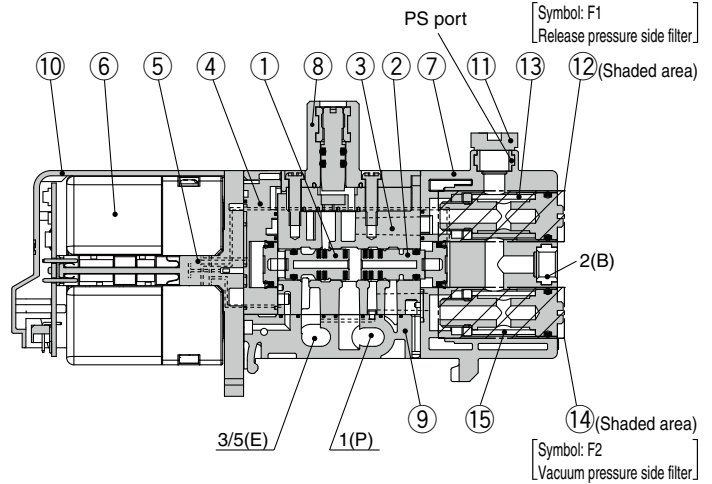
Specific Product
Precautions

Construction

Connector type



Cable type



Component Parts

No.	Description	Material	Note
1	Spool valve	Resin/HNBR	A side (for release pressure switching)
2	Spool valve	Resin/HNBR	B side (for vacuum pressure switching)
3	Body	Zinc die-cast	—
4	Adapter plate	Resin	White
5	Pilot adapter	Resin	White
6	Pilot valve	—	—
7	End cover	Resin	White
8	Restrictor block*1	Resin	White
9	Bottom cover	Resin	White
10	Light cover	Resin	Light blue

*1 Set the operating torque of the restrictor of the restrictor block to 0.3 N·m or less.

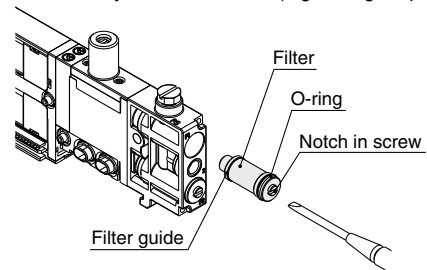
Component Parts

No.	Description	Part no.	Note
11	Plug	M-5P	PS port with plug
12	Filter assembly	SJ3000-110-1A	1 μm White <Release pressure side>
13	Filter	SJ3000-107-1A	1 μm White <Release pressure side>, 5 pcs. included
14	Filter assembly	SJ3000-110-2A	30 μm Light purple <Vacuum pressure side>
15	Filter	SJ3000-107-2A	30 μm Light purple <Vacuum pressure side>, 5 pcs. included

<Filter replacement instructions>

If there are situations such as filter clogging, a drop in suction force, or slow response time, stop operation and replace the filter.

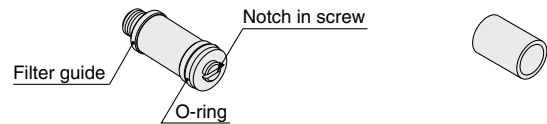
- Using a precision driver, remove the filter assembly (12 or 14) from the main unit.
- Turn the filter guide by hand and remove.
- Replace the filter (13 or 15) and gently hand tighten the filter guide. At this time, check that there is no foreign matter on the O-ring of the filter assembly.
- Return the filter assembly to the main unit. (Tightening torque: 0.12 N·m)



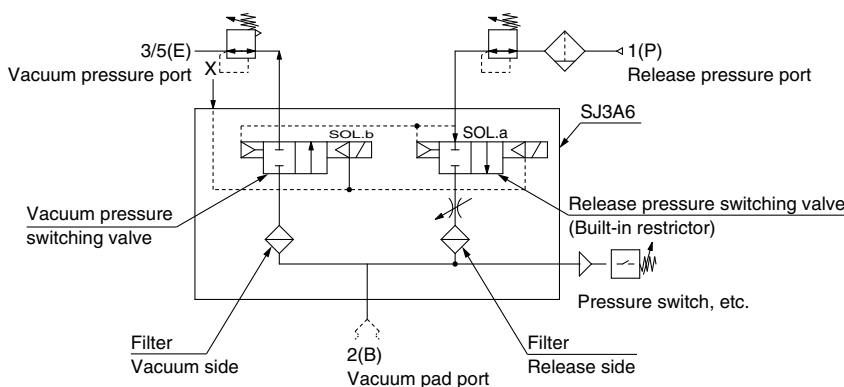
After tightening the plug (M-5P) with a tightening torque of 1 N·m, or manually tightening, use the tightening tool and tighten it by 1/4 turn.

12 14 Filter assembly (with filter)

13 15 Filter (5 pcs. included)



Adsorbing and Transferring System Circuit Example

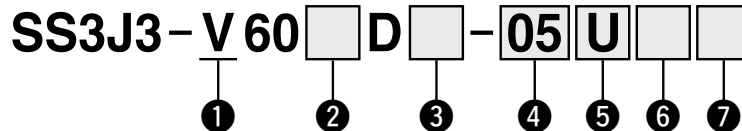


SJ3A6 Series

An order cannot be placed with only the manifold part no. Be sure to order solenoid valves for mounting at the same time while referring to the ordering example.

How to Order

● Vacuum release valve manifold with restrictor



① Vacuum release valve with restrictor type

② Connector type

Symbol	Mounting position	Page	Note
F	D-sub connector	29	Parallel wiring
P	Flat ribbon cable 26 pins		
PG	Flat ribbon cable 20 pins		
PH	Flat ribbon cable 10 pins		
S <input type="checkbox"/>	EX180 serial transmission	61	Serial wiring
S6B <input type="checkbox"/>	EX510 serial transmission	77	

③ Connector entry

With parallel wiring specifications, it is necessary to select the connector entry direction (1: upward, 2: lateral). For details, refer to page 29.

④ Valve stations

F: D-sub connector

Symbol	Stations
01	1 station
⋮	⋮
12	12 stations

P: Flat ribbon cable (26 pins)

Symbol	Stations
01	1 station
⋮	⋮
12	12 stations

PG: Flat ribbon cable (20 pins)

Symbol	Stations
01	1 station
⋮	⋮
09	9 stations

PH: Flat ribbon cable (10 pins)

Symbol	Stations
01	1 station
⋮	⋮
04	4 stations

S6B: EX510 serial transmission

Symbol	Stations
01	1 station
⋮	⋮
08	8 stations

S: EX180 serial transmission

Symbol	Stations	Note
01	1 station	There are limitations on the station number, depending on the serial type. Refer to page 61 for details.
⋮	⋮	
16	16 stations	

* This number also includes the blanking block. For the blanking block, please select double wiring specifications.

⑤ SUP/EXH block mounting position

U	U side
D	D side
B	Both sides
M *1	Special specifications

*1 Specify the required specifications (including port sizes other than ø8) on the manifold specification sheet.

⑥ SUP/EXH block fitting specification

Nil	L	B
Straight fitting X, PE port: Elbow fitting	Elbow fitting (Upward) X, PE port: Straight fitting	Elbow fitting (Downward) X, PE port: Elbow fitting

* There is no need to enter anything when the SUP/EXH block mounting position "M" is selected. Also, this manifold comes standard with external pilot specifications.

⑦ DIN rail length specified

Nil	Standard length
2	2 stations Specify a length longer than that of the standard rail.
⋮	⋮
16	16 stations

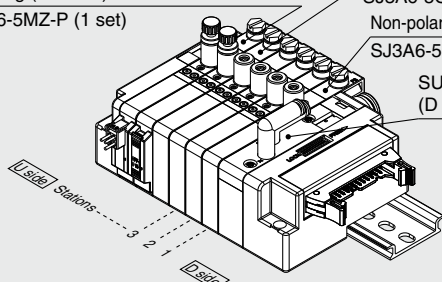
* Specify the number of valve stations without exceeding the max. number of stations.

How to Order Manifold Assembly

Ordering example (SS3J3-V60PD2-)

Individual wiring, lead wire length 300 mm, with plug (24 VDC)
 SJ3A6-5MZ-P (1 set)

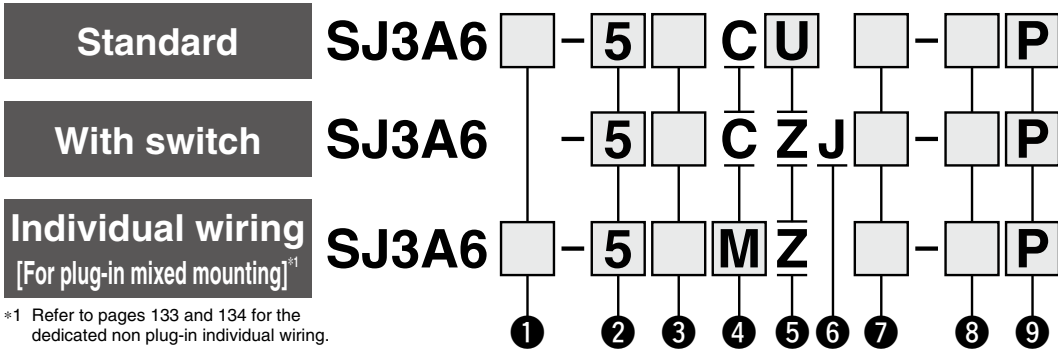
With switch, plug (24 VDC)
 SJ3A6-5CZJ-P (1 set)
 Non-polar type, with plug (24 VDC)
 SJ3A6-5CU-DP (4 sets)
 SUP/EXH block (D side mounting)



SS3J3-V60PD2-06D..... 1 set (Manifold part no.)
 * SJ3A6-5CU-DP 4 sets (Non-polar type, with plug part no.)
 * SJ3A6-5CZJ-P 1 set (With switch, plug part no.)
 * SJ3A6-5MZ-P 1 set (Individual wiring, lead wire length 300 mm, with plug part no.)
 → The asterisk denotes the symbol for the assembly. Prefix it to the part numbers of the solenoid valve, etc.

- For the valve arrangement, the valve closest to the D side is considered the 1st station.
- Under the manifold part number, state the valves to be mounted in order starting with the 1st station as shown in the figure. If the arrangement becomes too complicated, specify the details on a manifold specification sheet.
- * When ordering a manifold, specify the part nos. of the valves to be mounted on it (An order cannot be placed with only the manifold part no.)

How to Order Solenoid Valves (3-Position 3-Port with Restrictor)



*1 Refer to pages 133 and 134 for the dedicated non plug-in individual wiring.

1 Coil type

Nil	Standard
T	With power-saving circuit (Continuous duty type)

* Be sure to select the power-saving circuit type if the valve is to be continuously energized for long periods of time.

2 Rated voltage

5	24 VDC
6	12 VDC

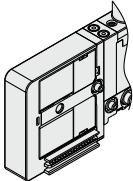
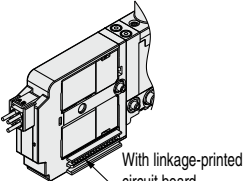
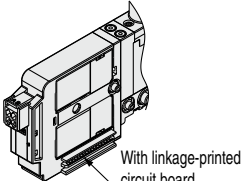
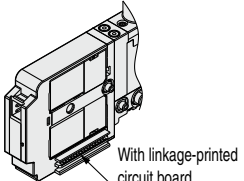
* Only 24 VDC is available for manifolds compatible with serial wiring.

3 Common specification

Nil	Positive common
N	Negative common

* For the non-polar type, there is no need to select a symbol.
* When the standard valve and valve with a switch are used on a manifold compatible with the serial transmission system, select a common specification that matches the SI unit common specification.

4 Connector entry

<p>C: Dedicated for centralized wiring</p> 	<p>M: Individual wiring, With lead wire Length 300 mm</p> 	<p>MN: Individual wiring, Without lead wire (With connector, socket)</p> 	<p>MO: Individual wiring, Without connector</p> 
---	--	--	--

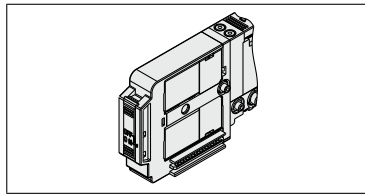
* Connector entries with the symbol "M□" cannot use the switch signal from the common wiring on the manifold.
* When ordering a connector assembly separately, refer to pages 144 and 145.

5 Light/surge voltage suppressor

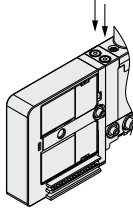
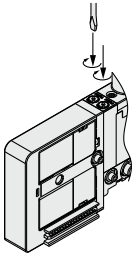
U	With light/surge voltage suppressor (Non-polar type)
Z	With light/surge voltage suppressor (Polar type)

* When the types with power-saving circuit, with switches, and individual wiring are used, the non-polar type cannot be selected.

6 With switch

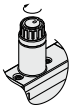



7 Manual override

<p>Nil: Non-locking push type</p> 	<p>D: Push-turn locking slotted type</p> 
--	---



* No slide locking type manual override setting is provided.

8 Needle operation

<p>Nil: Manual</p> 	<p>D: Slotted locking type</p> 
---	---

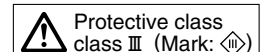
* Set operation torque to 0.3 N·m or less.

9 PS port for detection

<p>Nil: M5 x 0.8</p> 	<p>P: With plug (M-5P)</p> 
---	---

* When mounting a pressure sensor, etc., select "Nil."

* There is no valve lock switch for linking the neighboring valve, etc., to the 3-position 3-port solenoid valve with restrictor. Please contact SMC if you wish to use the SJ1000/2000/3000 valve with a valve lock switch, or an end block or SUP/EXH block.



Plug-in Cable Type



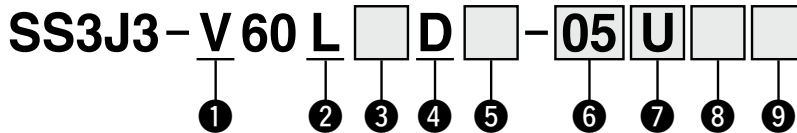
Vacuum Release Valve with Restrictor

SJ3A6 Series

An order cannot be placed with only the manifold part no. Be sure to order solenoid valves for mounting at the same time while referring to the ordering example.

How to Order

● Vacuum release valve manifold with restrictor



1 Vacuum release valve with restrictor type

2 Cable type

5 Connector entry

With parallel wiring specifications, it is necessary to select the connector entry direction (1: upward, 2: lateral). For details, refer to page 33.

3 Connector type

Symbol	Mounting position	Page	Note
F	D-sub connector	33	Parallel wiring
P	Flat ribbon cable 26 pins		
PG	Flat ribbon cable 20 pins		
PH	Flat ribbon cable 10 pins		

4 Connector mounting position

Symbol	Mounting position
D	D side

6 Valve stations

F: D-sub connector

Symbol	Stations
02	2 stations
⋮	⋮
10	10 stations

P: Flat ribbon cable (26 pins)

Symbol	Stations
02	2 stations
⋮	⋮
10	10 stations

PG: Flat ribbon cable (20 pins)

Symbol	Stations
02	2 stations
⋮	⋮
09	9 stations

PH: Flat ribbon cable (10 pins)

Symbol	Stations
02	2 stations
⋮	⋮
04	4 stations

* This number also includes the blanking block.
 * The cable type is only applicable when there are 2 or more stations.

7 SUP/EXH block mounting position

Symbol	Mounting position
U	U side
D	D side
B	Both sides
M*1	Special specifications

*1 For the special specifications, a port size of the SUP/EXH block can be specified. At this time, the mounting position becomes only U, D, or B.

8 SUP/EXH block fitting specification

Nil	L	B
Straight fitting X, PE port: Elbow fitting	Elbow fitting (Upward) X, PE port: Straight fitting	Elbow fitting (Downward) X, PE port: Elbow fitting

* There is no need to enter anything when the SUP/EXH block mounting position "M" is selected. Also, this manifold comes standard with external pilot specifications.

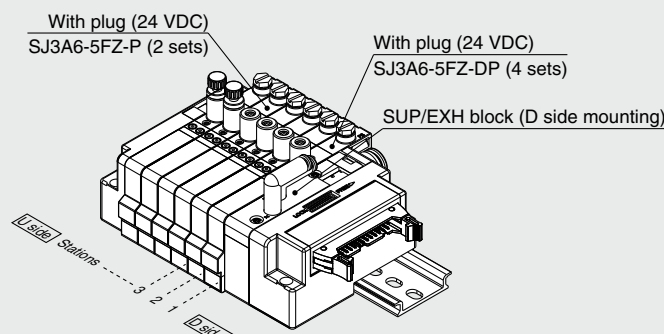
9 DIN rail length specified

Nil	Standard length
3	3 stations Specify a length longer than that of the standard rail.
⋮	⋮
10	10 stations

* When specifying a length longer than that of the standard rail, select the number of valve stations without exceeding the max. number of stations.

How to Order Manifold Assembly

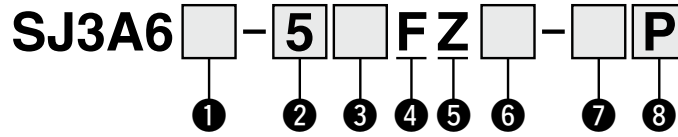
Ordering example (SS3J3-V60LPD2-□)



SS3J3-V60LPD2-06D1 set (Manifold part no.)
 * SJ3A6-5FZ-DP4 sets (With plug part no.)
 * SJ3A6-5FZ-P2 sets (With plug part no.)
 → The asterisk denotes the symbol for the assembly.
 Prefix it to the part numbers of the solenoid valve, etc.

• For the valve arrangement, the valve closest to the D side is considered the 1st station.
 • Under the manifold part number, state the valves to be mounted in order starting with the 1st station as shown in the figure. If the arrangement becomes too complicated, specify the details on a manifold specification sheet.

How to Order Solenoid Valves (3-Position 3-Port with Restrictor)



1 Coil type

Nil	Standard
T	With power-saving circuit (Continuous duty type)

* Be sure to select the power-saving circuit type if the valve is to be continuously energized for long periods of time.

2 Rated voltage

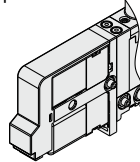
5	24 VDC
6	12 VDC

3 Common specification

Nil	Positive common
N	Negative common

4 Connector entry

F: Dedicated for centralized wiring
Cable type

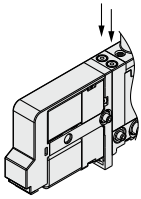


5 Light/surge voltage suppressor

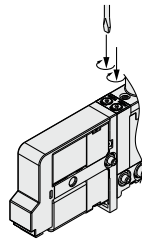
Z With light/surge voltage suppressor

6 Manual override

Nil: Non-locking push type



D: Push-turn locking slotted type



* No slide locking type manual override setting is provided.

7 Needle operation

Nil: Manual



D: Slotted locking type



* Set operation torque to 0.3 N·m or less.

8 PS port for detection

Nil: M5 x 0.8

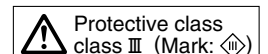


P: With plug (M-5P)



* When mounting a pressure sensor, etc., select "Nil."

* There is no valve lock switch for the 3-position 3-port solenoid valve with restrictor.

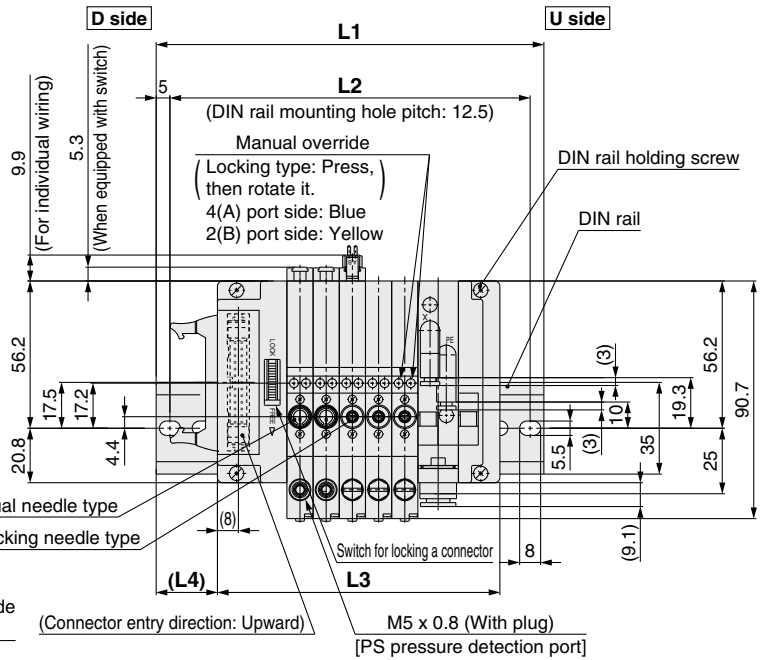
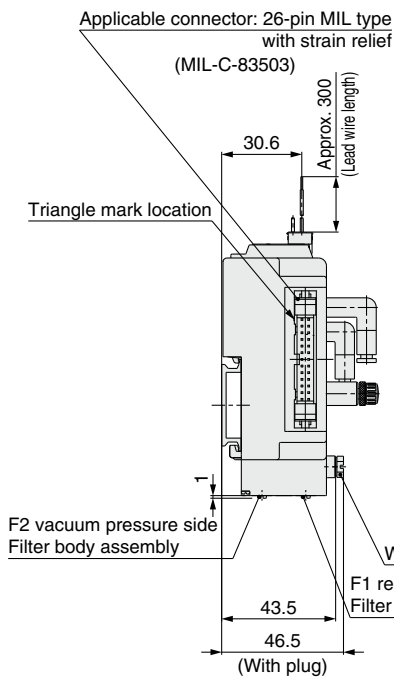
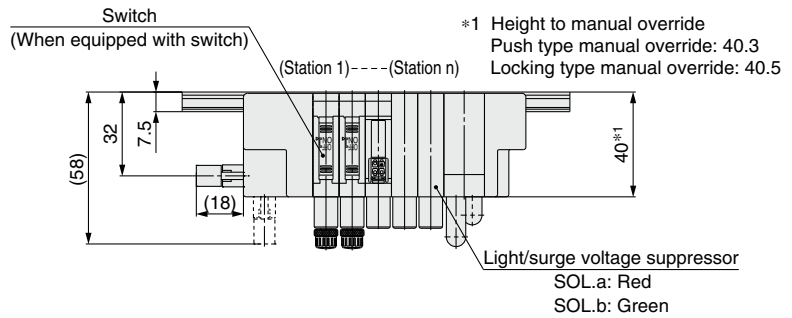


SJ3A6 Series

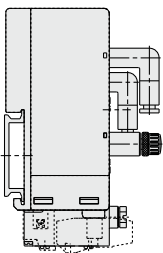
Dimensions

SS3J3-V60 $\begin{matrix} \square \\ \square \\ \square \\ \square \end{matrix}$ 2 - Stations U/D/B

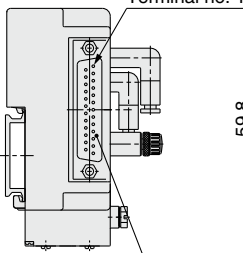
$\begin{matrix} \square \\ \square \\ \square \\ \square \end{matrix}$ P
JD
FD
S
 $\begin{matrix} \square \\ \square \\ \square \\ \square \end{matrix}$ D
S6B $\begin{matrix} \square \\ \square \end{matrix}$



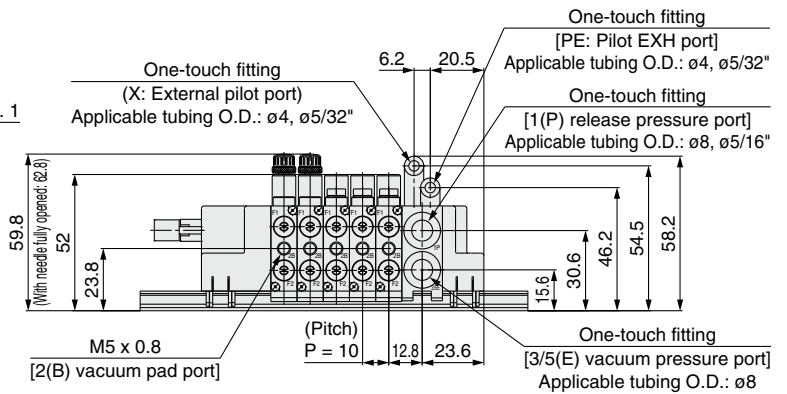
For 60S \square



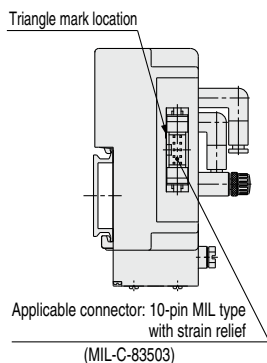
For 60FD



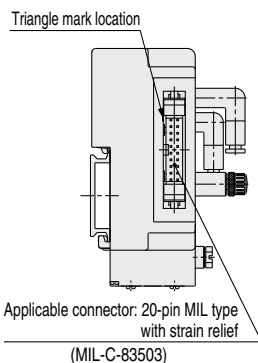
Applicable connector: D-sub (JIS-X-5101 MIL-C-24308) equivalent



For 60PH (10 pins)



For 60PG (20 pins)



Since DIN rail dimensions are the same as the SS5J3-60 \square series, refer to the following pages.

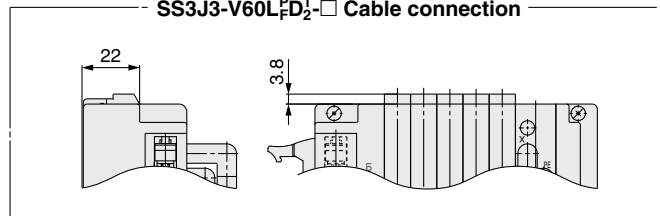
For D-sub connector: p. 41, 42

For flat ribbon cable: p. 52, 53

For EX180 serial wiring: p. 69, 70

For EX510 serial wiring: p. 83, 84

SS3J3-V60 $\begin{matrix} \square \\ \square \\ \square \\ \square \end{matrix}$ Cable connection



SJ
1000
2000
3000
4000

Common
Specifications

Construction

Plug-in

D-sub
Flat Ribbon

EX510 EX180

Non
Plug-in

Individual
Wiring

Manifold
Options

Made to
Order

SJ3A6

Common Spec.
Construction

Plug-in

D-sub
Flat Ribbon
Serial

Non
Plug-in

Individual
Wiring

Specific Product
Precautions

Non Plug-in Individual Wiring



Vacuum Release Valve with Restrictor

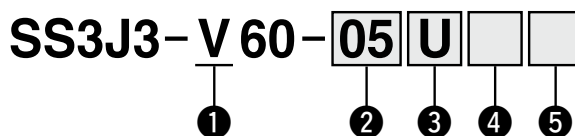


SJ3A6 Series

An order cannot be placed with only the manifold part no. Be sure to order solenoid valves for mounting at the same time while referring to the ordering example.

How to Order

● Individual wiring manifold



① Vacuum release valve with restrictor type

② Valve stations

Symbol	Stations
01	1 station
⋮	⋮
20	20 stations

* This number also includes the blanking block.

③ SUP/EXH block mounting position

U	U side
D	D side
B	Both sides
M*1	Special specifications

*1 Specify the required specifications (including port sizes other than ø8) on the manifold specification sheet.

④ SUP/EXH block fitting specification

Nil	L	B
Straight fitting X, PE port: Elbow fitting	Elbow fitting (Upward) X, PE port: Straight fitting	Elbow fitting (Downward) X, PE port: Elbow fitting

* There is no need to enter anything when the SUP/EXH block mounting position "M" is selected. Also, this manifold comes standard with external pilot specifications.

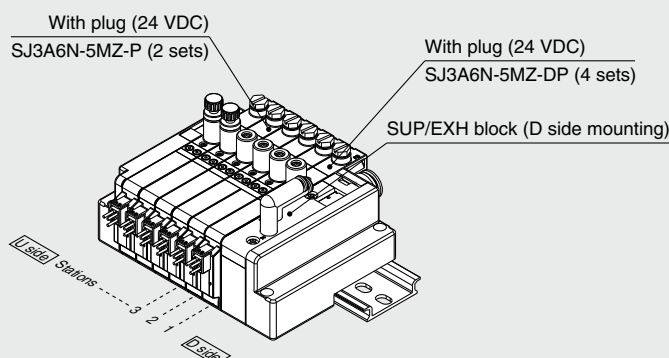
⑤ DIN rail length specified

Nil	Standard length
2	2 stations
⋮	⋮
20	10 stations

* Specify the number of valve stations without exceeding the max. number of stations.

How to Order Manifold Assembly

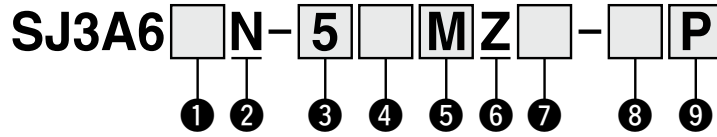
Ordering example (SS3J3-V60-□)



SS3J3-V60-06D1 set (Manifold part no.)
 * SJ3A6N-5MZ-DP4 sets (With plug part no.)
 * SJ3A6N-5MZ-P2 sets (With plug part no.)
 → The asterisk denotes the symbol for the assembly.
 Prefix it to the part numbers of the solenoid valve, etc.

- For the valve arrangement, the valve closest to the D side is considered the 1st station.
- Under the manifold part number, state the valves to be mounted in order starting with the 1st station as shown in the figure. If the arrangement becomes too complicated, specify the details on a manifold specification sheet.

How to Order Solenoid Valves (3-Position 3-Port with Restrictor)



1 Coil type

Nil	Standard
T	With power-saving circuit (Continuous duty type)

* Be sure to select the power-saving circuit type if the valve is to be continuously energized for long periods of time.

2 For non plug-in only

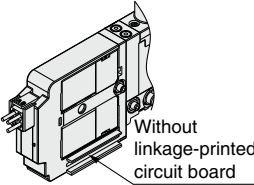
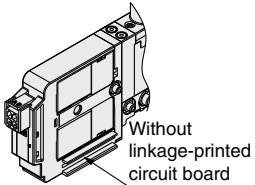
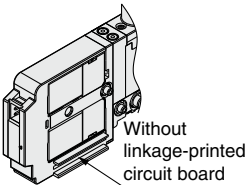
3 Rated voltage

5	24 VDC
6	12 VDC

4 Common specification

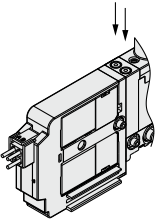
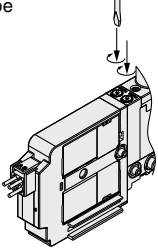
Nil	Positive common
N	Negative common

5 Connector entry

<p>M: Individual wiring, With lead wire Length 300 mm</p>  <p>Without linkage-printed circuit board</p>	<p>MN: Individual wiring, Without lead wire (With connector, socket)</p>  <p>Without linkage-printed circuit board</p>	<p>MO: Individual wiring, Without connector</p>  <p>Without linkage-printed circuit board</p>
---	--	--


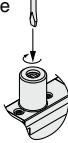
* When ordering a connector assembly separately, refer to pages 144 and 145.

7 Manual override

<p>Nil: Non-locking push type</p> 	<p>D: Push-turn locking slotted type</p> 
--	---



* No slide locking type manual override setting is provided.

8 Needle operation

<p>Nil: Manual</p> 	<p>D: Slotted locking type</p> 
---	--

* Set operation torque to 0.3 N·m or less.

9 PS port for detection

<p>Nil: M5 x 0.8</p> 	<p>P: With plug (M-5P)</p> 
---	---

* When mounting a pressure sensor, etc., select "Nil."

SJ
1000
2000
3000
4000

Common
Specifications

Construction

Plug-in

D-sub
Flat Ribbon

EX180
EX510

Non
Plug-in

Individual
Wiring

Manifold
Options

Made to
Order

SJ3A6

Common Spec.
Construction

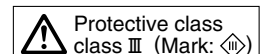
Plug-in

D-sub
Flat Ribbon
Serial

Non
Plug-in

Individual
Wiring

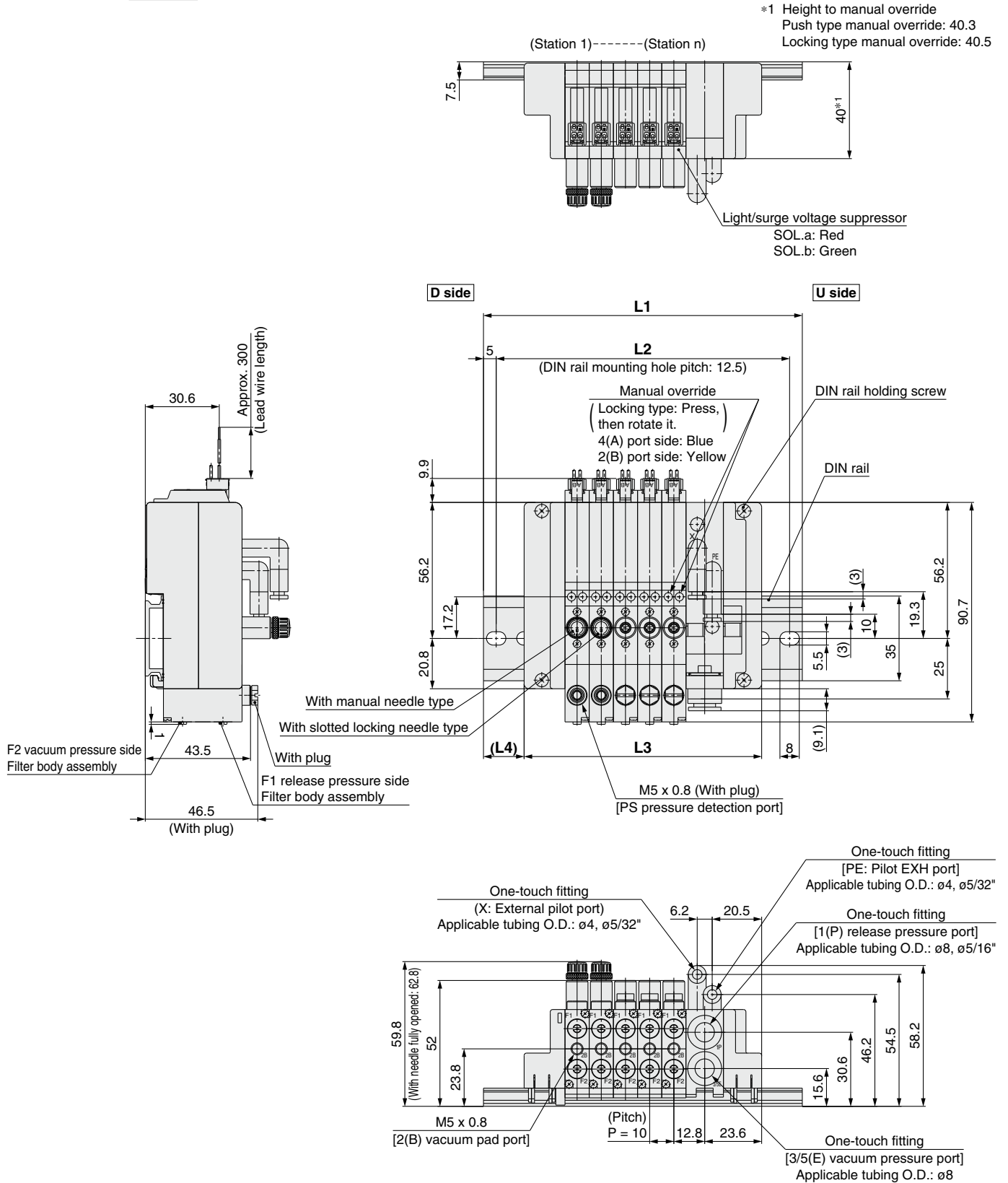
Specific Product
Precautions



SJ3A6 Series

Dimensions

SS3J3-V60-Stations U/D/B



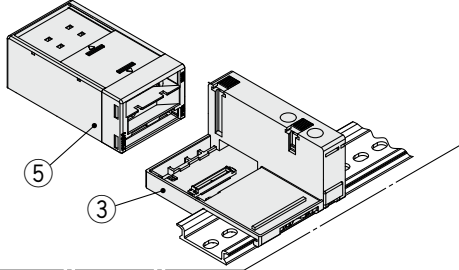
Since DIN rail dimensions are the same as the SS5J3-60-□ series, refer to pages 99 and 100.

SJ3A6 Series

Manifold Exploded View

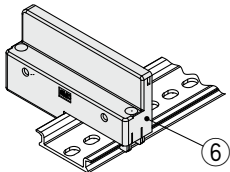
Connector Type/Individual Wiring

Type 60S [Plug-in, EX180 Integrated type (for output) serial transmission system] manifold



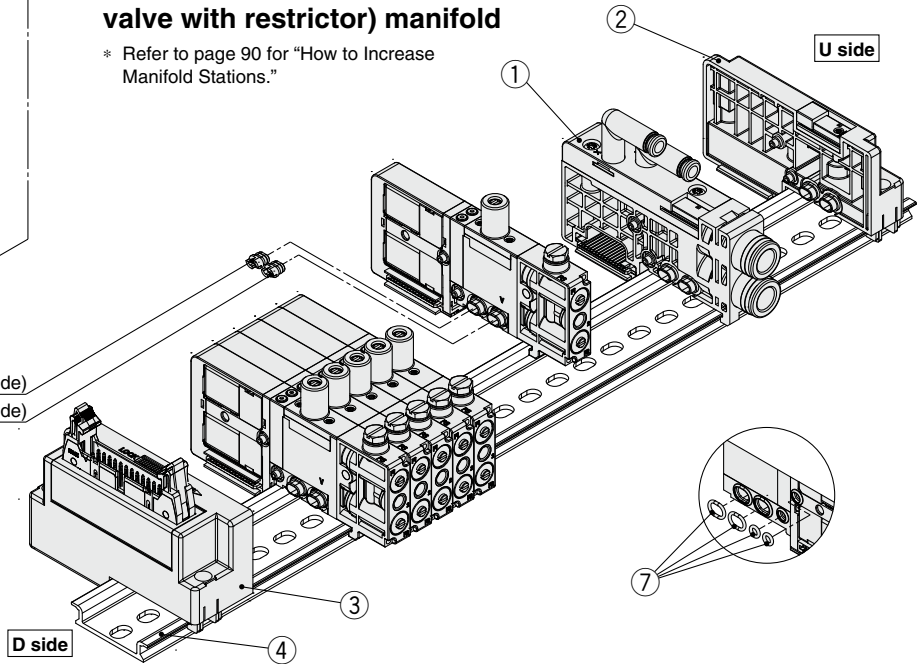
EXH block disk (Vacuum pressure side)
SUP block disk (Release pressure side)

Non plug-in (Individual wiring)



Type V60P (Vacuum release valve with restrictor) manifold

* Refer to page 90 for "How to Increase Manifold Stations."



Component Parts: Plug-in (Connector Type)

No.	Description	Part no.	Note
1*1	External pilot	SJ3000-50-1AR-□□-N (X, PE port: Metric size $\phi 4$ Inch size $\phi 5/32$ ")	(Metric size) C6: With $\phi 6$ One-touch fitting (straight) C8: With $\phi 8$ One-touch fitting (straight) L6: With $\phi 6$ One-touch fitting (elbow upward entry) L8: With $\phi 8$ One-touch fitting (elbow upward entry) B6: With $\phi 6$ One-touch fitting (elbow downward entry) B8: With $\phi 8$ One-touch fitting (elbow downward entry)
	For different pressures*2	SJ3000-50-3A-□□-N	(Inch size) N7: With 1/4" One-touch fitting (straight) N9: With 5/16" One-touch fitting (straight)
2*1	End block	SJ3000-53-1A-N	For the U side
3	Connector block	SJ3000-42-□A-□	Refer to the connector block part nos. shown below.
4	DIN rail	VZ1000-11-1-□	Refer to page 106.
5	SI unit	EX180-□□	Refer to the SI unit part nos. on page 61.
7	O-ring for valve connection*3	SJ3000-96-1A	The part no. shown on the left includes parts for 5 units. (10 pcs. each for the P and E ports and for the X and PE ports)

Connector Block Part Nos.

Connector specifications	Mounting position	Part no.	Note
For D-sub connector (Locking bracket: Metric size thread)	D side	SJ3000-42-1A-□	□: 1 (Connector upward) □: 2 (Connector lateral)
For D-sub connector (Locking bracket: Unified thread)		SJ3000-42-1AU-□	
For flat ribbon cable 26 pins		SJ3000-42-2A-□	
For flat ribbon cable 20 pins		SJ3000-42-3A-□	
For flat ribbon cable 10 pins		SJ3000-42-4A-□	
For EX180 serial wiring*4		SJ3000-42-20A	
For EX510 serial wiring*4		SJ3000-42-3A-2	

*4 An SI unit is not included.

Component Parts: Non plug-in (Individual Wiring)

No.	Description	Part no.	Note
1*1	External pilot	SJ3000-50-5AR-□□-N (X, PE port: Metric size $\phi 4$ Inch size $\phi 5/32$ ")	(Metric size) C6: With $\phi 6$ One-touch fitting (straight) C8: With $\phi 8$ One-touch fitting (straight) L6: With $\phi 6$ One-touch fitting (elbow upward entry) L8: With $\phi 8$ One-touch fitting (elbow upward entry) B6: With $\phi 6$ One-touch fitting (elbow downward entry) B8: With $\phi 8$ One-touch fitting (elbow downward entry)
	For different pressures*2	SJ3000-50-6A-□□-N	(Inch size) N7: With 1/4" One-touch fitting (straight) N9: With 5/16" One-touch fitting (straight)
2*1	End block	SJ3000-53-1A-N	For the U side
4	DIN rail	VZ1000-11-1-□	Refer to page 106.
6	End block	SJ3000-53-2A	For the D side
7	O-ring for valve connection*3	SJ3000-96-1A	The part no. shown on the left includes parts for 5 units. (10 pcs. each for the P and E ports and for the X and PE ports)

*1 For the SJ3A6 series, valve lock and manual switches are not available.

*2 As the valves cannot be operated only with the SUP/EXH block for different pressures, select them in combination with the SUP/EXH block for external pilot.

*3 Included with valves, SUP/EXH block, and connector block

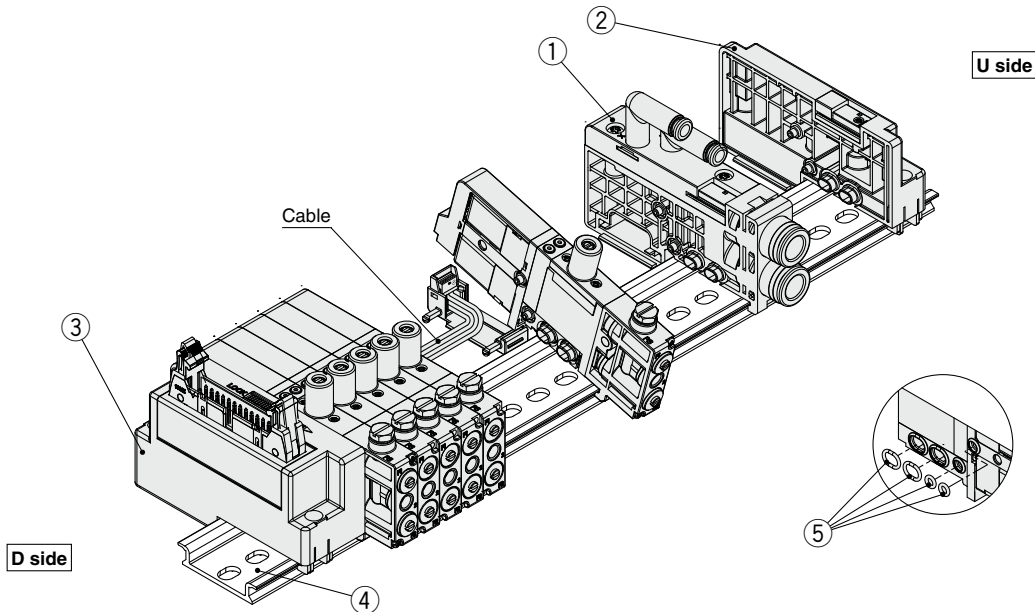
* Refer to page 103 for the SUP/EXH block disk and method of handling parts at different pressures.

SJ3A6 Series

Cable Type

Type V60LP (Vacuum release valve with restrictor) manifold

* Refer to page 91 for "How to Increase Manifold Stations."



Component Parts: Plug-in (Cable Type)

No.	Description	Part no.	Note
1*1	External pilot	SJ3000-50-5AR-□□-N (X, PE port: Metric size ø4 Inch size ø5/32")	(Metric size) C6: With ø6 One-touch fitting (straight) C8: With ø8 One-touch fitting (straight) L6: With ø6 One-touch fitting (elbow upward entry) L8: With ø8 One-touch fitting (elbow upward entry) B6: With ø6 One-touch fitting (elbow downward entry) B8: With ø8 One-touch fitting (elbow downward entry)
	For different pressures*2	SJ3000-50-6A-□□-N	(Inch size) N7: 1/4" One-touch fitting (straight) N9: 5/16" One-touch fitting (straight)
2*1	End block	SJ3000-53-1A-N	
3	Connector block	SJ3000-42-□A-□	Refer to the connector block part nos. shown below.
4	DIN rail	VZ1000-11-1-□	Refer to page 106.
5	O-ring for valve connection*3	SJ3000-96-1A	The part no. shown on the left includes parts for 5 units. (10 pcs. each for the P and E ports and for the X and PE ports)

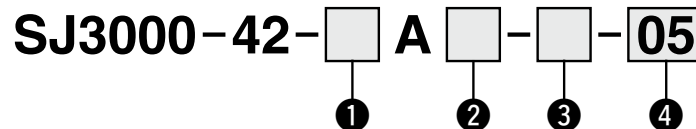
*1 For the SJ3A6 series, valve lock and manual switches are not available.

*2 As the valves cannot be operated only with the SUP/EXH block for different pressures, select them in combination with the SUP/EXH block for external pilot.

*3 Included with valves, SUP/EXH block, and connector block

* Refer to page 103 for the SUP/EXH block disk and method of handling parts at different pressures.

●Connector Block



1 Connector type

7	D-sub connector
8	Flat ribbon cable 26 pins
9	Flat ribbon cable 20 pins
10	Flat ribbon cable 10 pins

* All connector block mounting positions are on the D side.
* The connector block includes the cables necessary for the number of stations.

2 Locking bracket

Nil	Metric size thread
U	Unified thread

* D-sub connector only

3 Connector entry direction

1	Upward
2	Lateral

4 Valve stations

02 to 10	D-sub connector
02 to 10	Flat ribbon cable 26 pins
02 to 09	Flat ribbon cable 20 pins
02 to 04	Flat ribbon cable 10 pins

Specific Product Precautions 1

Be sure to read this before handling the products. Refer to the back cover for safety instructions. For 3/4/5-port solenoid valve precautions, refer to the "Handling Precautions for SMC Products" and the "Operation Manual" on the SMC website: <https://www.smcworld.com>



SJ
1000
2000
3000
4000

Common
Specifications

Construction

Plug-in

D-sub
Flat Ribbon

EX180
EX510

Non
Plug-in

Individual
Wiring

Manifold
Options

Made to
Order

SJ3A6

Common Spec.
Construction

Plug-in

D-sub
Flat Ribbon
Serial

Non
Plug-in

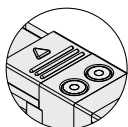
Individual
Wiring

Specific Product
Precautions

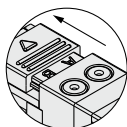
Manual Override Switch Operation

Warning

For manual override operation, move the manual override switch to a position where letters A and B can be seen. [Manual override switch release status (refer to the figure below)] Operation with the manual override switch in a locked status can cause damage to the manual override and air leakage, so be sure to release the manual override switch before use. After manual override operation, lock the manual switch for use (when the manual override of the push-turn locking slotted type is locked, a manual override switch cannot be locked).



Manual override switch locked status



Manual override switch unlocked status

Manual override switch slide direction

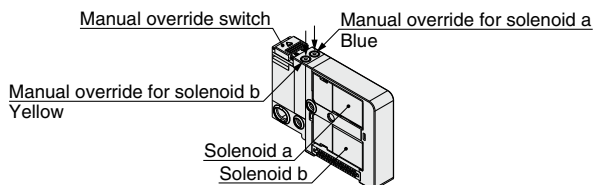
Manual Override Operation

Warning

When the manual override is operated, connected equipment will be actuated. Confirm safety before operating.

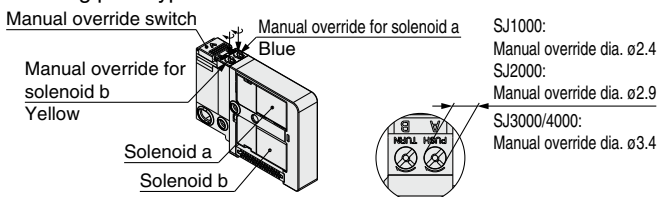
■ Non-locking push type

Press in the direction of the arrow.



■ Push-turn locking slotted type

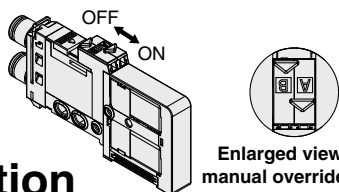
While pressing, turn in the direction of the arrow (90° clockwise). If it is not turned, it can be used in the same way as the non-locking push type.



Enlarged view of manual override part

■ Slide locking type (manual override)

Slide the manual override all the way to the ON side in the arrow direction. The manual override is then locked. To unlock the manual override, slide it toward the OFF side in the arrow direction.



Caution

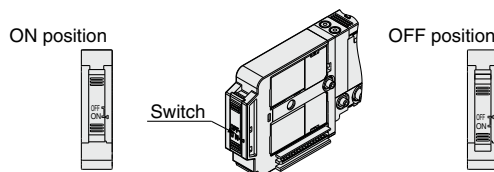
When you operate the D type with a screw driver, turn it gently using a watchmaker's screw driver. [Torque: under 0.05 N·m] When you lock the manual override of the D type, be sure to push it before turning. [Load: 10 N or less] Turning without pushing can cause damage to the manual override and trouble such as air leakage, etc.

Valve with Switch

Warning

When turning OFF the valve using the switch, move it to the position where the valve is locked. If the switch is at an improper position and is energized, equipment connected to the valve could be actuated.

Also, if the switch is turned OFF on the valve in the energized state, be careful because any actuators connected to a single solenoid, a dual 3-port valve, or a 3-position valve will actuate.

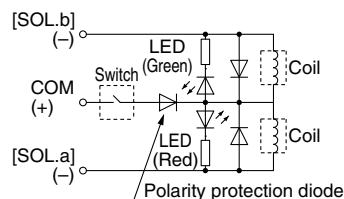


Normal operation: The valve is switched according to electric signals from the connector on the manifold side.

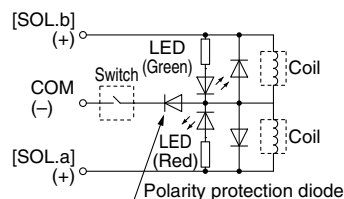
The valve coil is kept in a deenergized state even when there is an electric signal from the connector on the manifold side.

Electric circuit diagram

(with positive common and light/surge voltage suppressor)



(with negative common and light/surge voltage suppressor)



Built-in Back Pressure Check Valve Type

Caution

1. Valves with built-in back pressure check valve is to protect the back pressure inside a valve. For this reason, use caution the valves with external pilot specification cannot be pressurized from exhaust port [3/5(E)].

As compared with the types which do not integrate the back pressure check valve, C value of the flow rate characteristics (sonic conductance) goes down. For details, please contact SMC.

2. Do not switch valves when A or B port is open to the atmosphere, or while the actuators and air operated equipment are in operation. The back pressure prevention seal may be peeled off, which may cause air leakage or malfunctions. Use caution especially when performing a trial operation or maintenance work.

Exhaust Throttle

Caution

The SJ series pilot valve and main valve share a common exhaust inside the valve. Therefore, do not block the exhaust port when arranging the piping.

SJ1000/2000/3000/4000 Series

Specific Product Precautions 2



Be sure to read this before handling the products. Refer to the back cover for safety instructions. For 3/4/5-port solenoid valve precautions, refer to the "Handling Precautions for SMC Products" and the "Operation Manual" on the SMC website: <https://www.smcworld.com>

Used as a 3-Port Valve

Caution

When using a 4-port valve as a 3-port valve

The SJ1000/2000/3000/4000 series can be used as normally closed (N.C.) or normally open (N.O.) 3-port valves by closing one of the cylinder ports 4(A) or 2(B) with a plug. However, they should be used with the exhaust ports kept open. They are convenient at times when a double solenoid type 3-port valve is required.

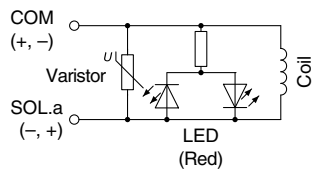
Plug position	2(B) port	4(A) port
Type of actuation	N.C.	N.O.
Number of solenoids	Single	
	Double	

Light/Surge Voltage Suppressor

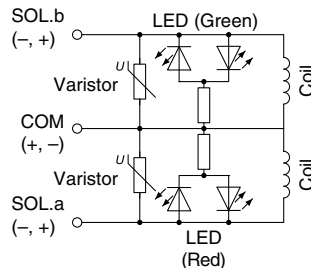
Caution

Non-polar type

Single solenoid

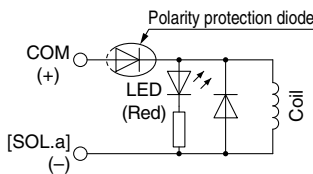


Double solenoid, 3-position type

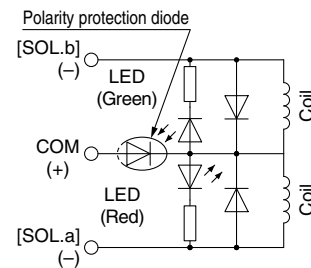


Positive common

Single solenoid

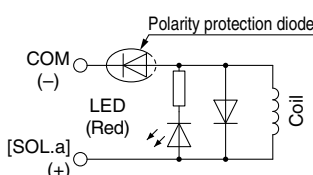


Double solenoid, 3-position type

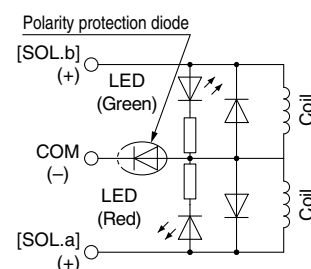


Negative common

Single solenoid



Double solenoid, 3-position type



Continuous Duty

Caution

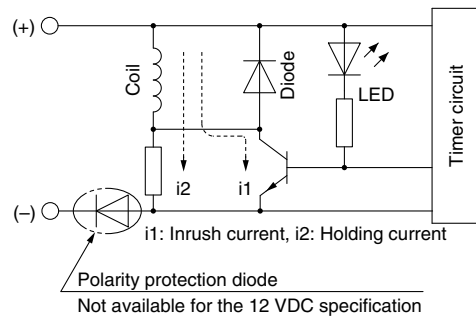
If a valve is energized continuously for long periods of time, the rise in temperature due to heat-up of the coil assembly may cause a decline in valve performance, reduce the service life, or have adverse effects on peripheral equipment. If the valve is energized continuously for long periods of time, be sure to use a valve with power-saving circuit (continuous duty type). In particular, if three or more adjacent stations on the manifold are energized simultaneously for extended periods of time or if the valves on A side and B side are energized simultaneously for long periods of time, take special care as the temperature rise will be greater.

If the continuously energized time exceeds three hours, please contact SMC.

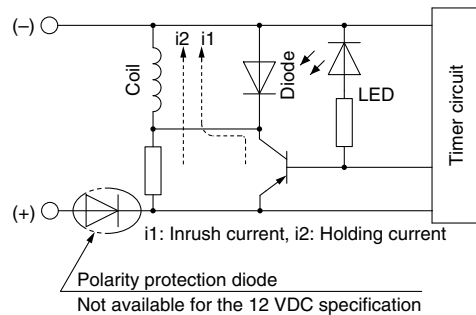
With power-saving circuit

Power consumption is decreased to approx. 1/3 (for SJ3□60(A)T and SJ4□60T) compared with the standard model by reducing the wattage required to hold the valve in an energized state. (Effective energizing time is over 67 ms at 24 VDC.)

Electric circuit diagram (with power-saving circuit) In case of positive common, single solenoid



In case of negative common, single solenoid





SJ1000/2000/3000/4000 Series

Specific Product Precautions 3

Be sure to read this before handling the products. Refer to the back cover for safety instructions. For 3/4/5-port solenoid valve precautions, refer to the "Handling Precautions for SMC Products" and the "Operation Manual" on the SMC website: <https://www.smcworld.com>

SJ
1000
2000
3000
4000

Common
Specifications

Construction

Plug-in

D-sub
Flat Ribbon

EX180
EX510

Non
Plug-in

Individual
Wiring

Manifold
Options

Made to
Order

SJ3A6

Common Spec.
Construction

Plug-in

D-sub
Flat Ribbon
Serial

Non
Plug-in

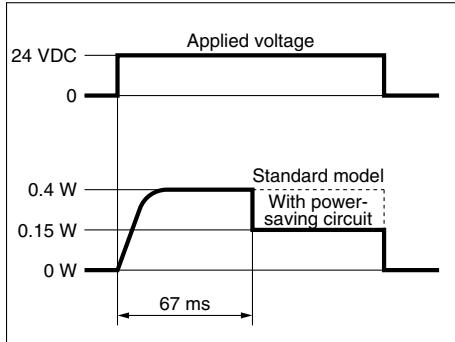
Individual
Wiring

Specific Product
Precautions

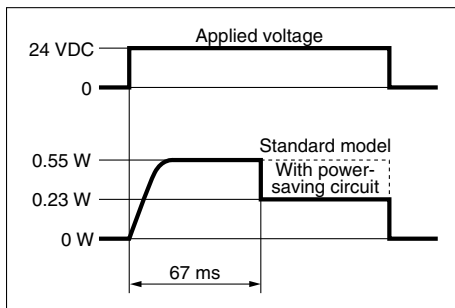
Working Principle

The circuit shown on page 139 reduces the power consumption for holding in order to save energy. Refer to the electrical power waveform as shown below.

Electrical power waveform of the power-saving type (SJ3□60(A)T, SJ4□60T)



Electrical power waveform of the power-saving type (SJ1□60T, SJ2□60T)



- The 12 VDC specification with power-saving circuit does not have the polarity protection diode. Do not make a mistake with the polarity.
- Since the voltage will drop by approx. 0.5 V due to the transistor, pay attention to the allowable voltage fluctuation. (For details, refer to the solenoid specifications of each type of valve.)

Countermeasure for Surge Voltage Intrusion

Surge voltage intrusion

With non-polar type valves, at times of sudden interruption of the loading power supply, such as emergency shutdown, surge voltage intrusion may be generated from loading equipment with a large capacity (power consumption), and a valve in a de-energized state may switch over (see Fig. 1). When installing a breaker circuit for the loading power supply, consider using a valve with polarity (with polarity protection diode), or install a surge absorption diode between the loading equipment COM line and the output equipment COM line (see Fig. 2).

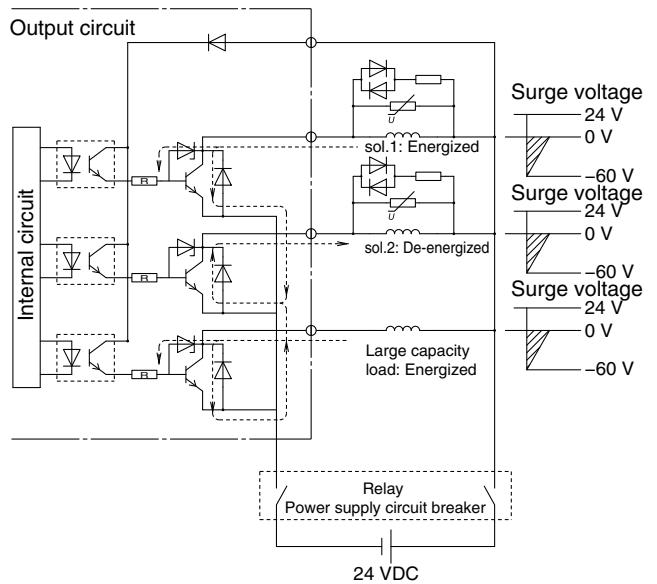


Fig. 1 Surge intrusion circuit example (NPN outlet example) (24 VDC)

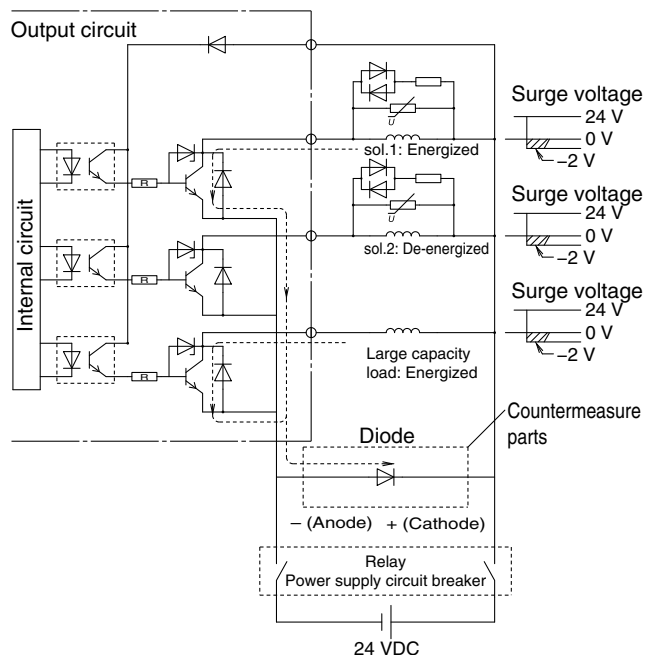


Fig. 2 Surge intrusion countermeasure example (NPN outlet example) (24 VDC)



SJ1000/2000/3000/4000 Series

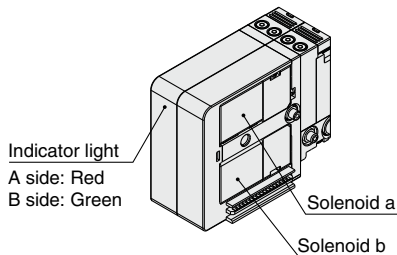
Specific Product Precautions 4

Be sure to read this before handling the products. Refer to the back cover for safety instructions. For 3/4/5-port solenoid valve precautions, refer to the “Handling Precautions for SMC Products” and the “Operation Manual” on the SMC website: <https://www.smcworld.com>

Light Indication

⚠ Caution

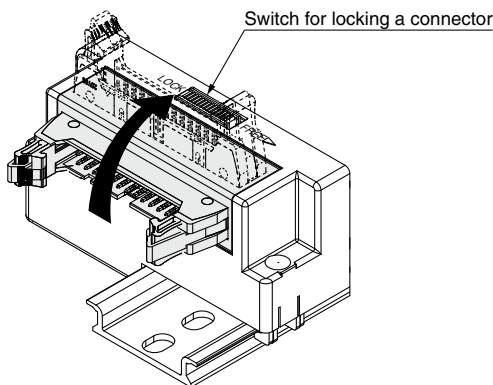
When equipped with light/surge voltage suppressor, the light window turns red when solenoid a is energized, and it turns green when solenoid b is energized.



Changing the Connector Entry Direction

⚠ Caution

To change the connector's entry direction, set the switch on the top of the connector block to the FREE position, before turning the connector. Make sure to set the switch back to the LOCK position before connecting the connector. (When the switch is difficult to slide, move the connector a little so that it will slide easier.) If an excessive force is applied on the connector in the LOCK position, the connector block may be damaged. Also, using in such a way that the connector floats in the FREE position, it may cause the lead wire, etc., to break. Thus, refrain from using in these ways.



Manifold Mounting

When attaching a manifold to a mounting surface, etc., with bolts, if the entire bottom surface of the DIN rail contacts the mounting surface in a horizontal mounting, it can be used by simply securing both ends of the DIN rail. However, for any other mounting method or for side facing and rear facing, etc., secure the DIN rail with bolts at uniform intervals using the following as a guide: 2 to 5 stations at 2 locations, 6 to 10 stations at 3 locations, 11 to 15 stations at 4 locations, 16 to 20 stations at 5 locations, 21 to 25 stations at 6 locations, 26 to 30 stations at 7 locations, and more than 30 stations at 8 locations.

In addition, even in the case of a horizontal mounting, if the mounting surface is subject to vibration, etc., take the same measures indicated above. If secured at fewer than the specified number of locations, warping or twisting may occur in the DIN rail and manifold, causing trouble such as air leakage.



SJ1000/2000/3000/4000 Series

Specific Product Precautions 5

Be sure to read this before handling the products. Refer to the back cover for safety instructions. For 3/4/5-port solenoid valve precautions, refer to the "Handling Precautions for SMC Products" and the "Operation Manual" on the SMC website: <https://www.smcworld.com>

SJ
1000
2000
3000
4000

Common
Specifications

Construction

Plug-in

D-sub
Flat Ribbon

EX510 EX180

Non
Plug-in

Individual
Wiring

Manifold
Options

Made to
Order

SJ3A6

Common Spec.
Construction

Plug-in

D-sub
Flat Ribbon
Serial

Non
Plug-in

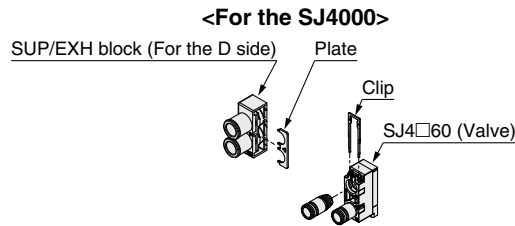
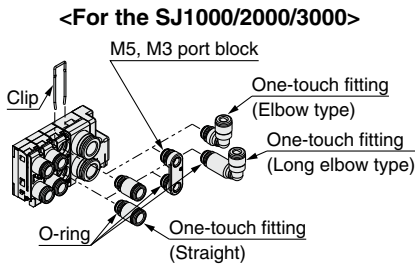
Individual
Wiring

Specific Product
Precautions

Fitting Replacement

Caution

By replacing a valve's fitting, it is possible to change the port size of the 4(A), 2(B), 1(P), and 3/5(E) ports. When replacing it, pull out the fitting after removing the clip with a flat blade screw driver, etc. To mount a new fitting, insert it into place and then fully reinsert the clip.



One-touch Fitting Part Nos.

Metric Size

Port	Port size	Part no.
SJ1000 4(A), 2(B)	ø2 One-touch fitting (Straight)	KQSY10-C2
	ø4 One-touch fitting (Straight)	KQSY10-C4-X1336
SJ2000 4(A) 2(B)	ø2 One-touch fitting (Straight)	KJH02-C1
	ø4 One-touch fitting (Straight)	KJH04-C1
	ø2 One-touch fitting (Elbow type)	KJL02-C1
	ø4 One-touch fitting (Elbow type)	KJL04-C1-N
	ø2 One-touch fitting (Long elbow type)	KJW02-C1
	ø4 One-touch fitting (Long elbow type)	KJW04-C1-N
	M3 port block	SJ2000-56-1A
SJ3000 4(A) 2(B)	ø2 One-touch fitting (Straight)	KJH02-C2
	ø4 One-touch fitting (Straight)	KJH04-C2
	ø6 One-touch fitting (Straight)	KJH06-C2
	ø2 One-touch fitting (Elbow type)	KJL02-C2
	ø4 One-touch fitting (Elbow type)	KJL04-C2
	ø6 One-touch fitting (Elbow type)	KJL06-C2-N
	ø2 One-touch fitting (Long elbow type)	KJW02-C2
	ø4 One-touch fitting (Long elbow type)	KJW04-C2
	ø6 One-touch fitting (Long elbow type)	KJW06-C2-N
	M5 port block	SJ3000-56-1A
	SJ4000 4(A) 2(B)	ø4 One-touch fitting (Straight)
ø6 One-touch fitting (Straight)		KQSY30-C6
ø8 One-touch fitting (Straight)		KQSY30-C8
ø6 One-touch fitting (Straight)		VVQ1000-51A-C6
SJ1000 SJ2000 SJ3000 1(P) 3/5(E)	ø6 One-touch fitting (Elbow type)	SZ3000-74-1A-L6
	ø6 One-touch fitting (Long elbow type)	SZ3000-74-2A-L6
	ø8 One-touch fitting (Straight)	VVQ1000-51A-C8
	ø8 One-touch fitting (Long elbow type)	SZ3000-74-2A-L8
SJ4000 1(P) 3/5(E)	ø8 One-touch fitting (Straight)	KQSY31-C8
	ø10 One-touch fitting (Straight)	KQSY31-C10-X1336

Inch Size

Port	Port size	Part no.
SJ2000 4(A) 2(B)	ø1/8" One-touch fitting (Straight)	KJH01-C1
	ø5/32" One-touch fitting (Straight)	KJH03-C1
	ø1/8" One-touch fitting (Elbow type)	KJL01-C1
	ø5/32" One-touch fitting (Elbow type)	KJL03-C1
	ø1/8" One-touch fitting (Long elbow type)	KJW01-C1
	ø5/32" One-touch fitting (Long elbow type)	KJW03-C1
SJ3000 4(A) 2(B)	ø1/8" One-touch fitting (Straight)	KJH01-C2
	ø5/32" One-touch fitting (Straight)	KJH03-C2
	ø1/4" One-touch fitting (Straight)	KJH07-C2
	ø1/8" One-touch fitting (Elbow type)	KJL01-C2
	ø5/32" One-touch fitting (Elbow type)	KJL03-C2
	ø1/4" One-touch fitting (Elbow type)	KJL07-C2
	ø1/8" One-touch fitting (Long elbow type)	KJW01-C2
	ø5/32" One-touch fitting (Long elbow type)	KJW03-C2
1(P) 3/5(E)	ø1/4" One-touch fitting (Straight)	VVQ1000-51A-N7
	ø5/16" One-touch fitting (Straight)	VVQ1000-51A-N9

- * To change the port size of the 1(P), 3/5(E) ports into the port sizes other than ø8 (straight) for the SJ1000/2000/3000 and ø10 (straight) for the SJ4000, specify the change on the manifold specification sheet.
- * Be careful to avoid damage or contamination to the O-rings, as this can cause air leakage.
- * When removing a straight-type fitting from a valve, after removing the clip, attach tubing or a plug (KJP-02, KQ2P-□□) to the One-touch fitting, and pull it out while holding the tubing or plug. If it is pulled out while holding the release button of the fitting (resin part), the release button may be damaged.
- * Be sure to turn off the power and stop the supply of air before disassembly. Furthermore, since air may remain inside the actuator, piping, and manifold, confirm that the air is completely exhausted before starting any work.
- * While inserting a tubing into an elbow-type fitting, hold the main body of the fitting by hand. Failure to do so will exert an undue force on the valve or the fitting, resulting in air leakage or damage.
- * Each fitting part no. contains 1 pc. Additionally, when the piping is constructed in the same direction using the elbow-type fitting, order the elbow-type and/or long elbow-type fitting. However, there are no elbow-type and inch-size settings for the SJ4000 series.
- * One-touch fittings of the SJ4000 series are available in metric size (straight) only.

Clip Part Nos.

Part no.				Note
SJ1000	SJ2000	SJ3000	SJ4000	
SJ1000-CL-1	SJ2000-CL-1	SJ3000-CL-1	JSY31M-19P-1A	These part numbers contain 10 pcs. each.



SJ1000/2000/3000/4000 Series

Specific Product Precautions 6

Be sure to read this before handling the products. Refer to the back cover for safety instructions. For 3/4/5-port solenoid valve precautions, refer to the “Handling Precautions for SMC Products” and the “Operation Manual” on the SMC website: <https://www.smcworld.com>

One-touch Fittings

⚠ Caution

The pitch of the SJ series piping ports (A, B, etc.) has been set assuming the use of KJ series One-touch fittings. Therefore, when using fittings with an M3 or M5 port block, there may be some interference between fittings, depending on the type and size, so please use after checking dimensions in the catalog for the pipe fitting being used.

1. Tube attachment/detachment for One-touch fittings

1) Tube attachment

(1) Take a tube having no flaws on its periphery and cut it off at a right angle. When cutting the tube, use tube cutters TK-1, 2, or 3. Do not use pinchers, nippers, scissors, etc. If cutting is done with tools other than tube cutters, the tube may be cut diagonally or become flattened, etc., making a secure installation impossible, and causing problems such as the tube pulling out after installation or air leakage.

Allow some extra length in the tube.

(2) Grasp the tube and push it in slowly, inserting it securely all the way into the fitting.

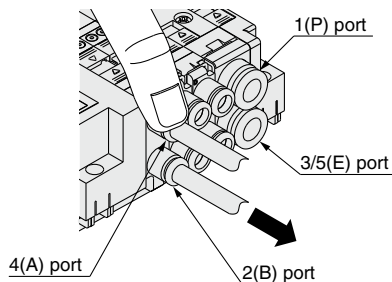
(3) After inserting the tube, pull on it lightly to confirm that it will not come out. If it is not installed securely all the way into the fitting, this can cause problems such as air leakage or the tube pulling out.

2) Tube detachment

(1) The 4(A) and 2(B) ports use the KJ series, so the tube can be removed by pressing on part of the release button. However, for the 1(P) and 3/5(E) ports, please press the release button evenly as before.

(2) Pull out the tube while holding down the release button so that it does not come out. If the release button is not pressed down sufficiently, there will be increased bite on the tube and it will become more difficult to pull it out.

(3) When the removed tube is to be used again, cut off the portion which has been chewed before reusing it. If the chewed portion of the tube is used as is, this can cause trouble such as air leakage or difficulty in removing the tube.



Hold down part of the release button with your finger or a similar tool, as shown in the diagram, and pull out in the direction indicated by the arrow.

Other Tube Brands

⚠ Caution

1. When using other than SMC brand tube, confirm that the following specifications are satisfied with respect to the tube outside diameter tolerance.

- 1) Nylon tube within ± 0.1 mm
- 2) Soft nylon tube within ± 0.1 mm
- 3) Polyurethane tube within $+0.15$ mm, within -0.2 mm

Do not use tube which does not meet these outside diameter tolerances. It may not be possible to connect them, or they may cause other trouble, such as air leakage or the tube pulling out after connection.

How to Use Plug Connector

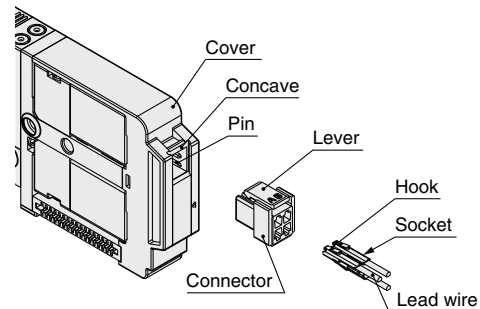
⚠ Caution

When attaching and detaching a connector, first shut off the electric power and the air supply.

Also, crimp the lead wires and sockets securely.

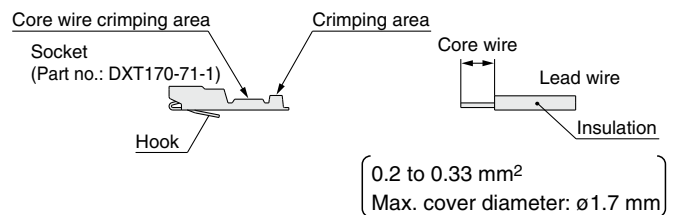
1. Connector attachment/detachment

- To attach a connector, hold the lever and connector unit between your fingers and insert straight onto the pins of the solenoid valve so that the lever's pawl is pushed into the groove and locks.
- To detach a connector, remove the pawl from the groove by pushing the lever downward with your thumb, and pull the connector straight out.



2. Crimping of lead wires and sockets

Peel 3.2 to 3.7 mm of the tip of the lead wire, enter the core wires neatly into a socket and crimp it with a special crimp tool. Be careful so that the cover of the lead wire does not enter into the crimping part. (Please contact SMC for the dedicated crimping tools.)





SJ1000/2000/3000/4000 Series

Specific Product Precautions 7

Be sure to read this before handling the products. Refer to the back cover for safety instructions. For 3/4/5-port solenoid valve precautions, refer to the "Handling Precautions for SMC Products" and the "Operation Manual" on the SMC website: <https://www.smcworld.com>

SJ
1000
2000
3000
4000

Common
Specifications

Construction

Plug-in

D-sub
Flat Ribbon

EX180
EX510

Non
Plug-in

Individual
Wiring

Manifold
Options

Made to
Order

SJ3A6

Common Spec.
Construction

Plug-in

D-sub
Flat Ribbon
Serial

Non
Plug-in

Individual
Wiring

Specific Product
Precautions

How to Use Plug Connector

⚠ Caution

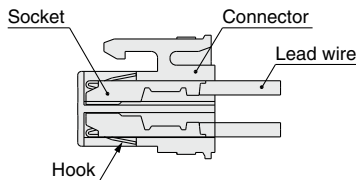
3. Lead wires with sockets attachment/detachment

• Attachment

Insert the sockets into the square holes of the connector (with A, B, C, and N indication), and continue to push the sockets all the way in until they lock by hooking into the seats in the connector. (When they are pushed in, their hooks open, and they are locked automatically.) Next, confirm that they are locked by pulling lightly on the lead wires.

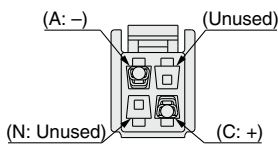
• Detachment

To detach a socket from a connector, pull out the lead wire while pressing the socket's hook with a stick having a thin tip (approx. 1 mm). If the socket is used again, spread the hook outward.

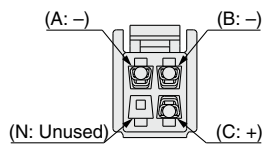


<Positive common>

Single solenoid

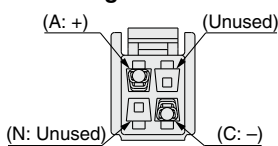


Double solenoid

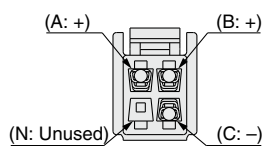


<Negative common>

Single solenoid



Double solenoid



Plug Connector Lead Wire Length

⚠ Caution

Plug connector lead wires have a standard length of 300 mm, however, the following lengths are also available.

Connector Part Nos.

Single solenoid

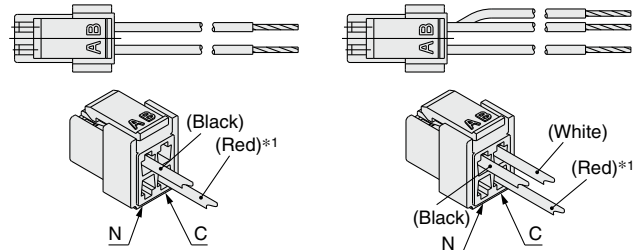
SJ3000-46-S-□ (for positive common)

SJ3000-47-S-□ (for negative common)

Double solenoid, 3-position type, 4-position type

SJ3000-46-D-□ (for positive common)

SJ3000-47-D-□ (for negative common)



*1 In case of negative common, the lead wire changes from red to yellow.

	Lead wire length
For single solenoid: SJ3000-46-S-□	Nil 300 mm
	6 600 mm
For double solenoid	10 1000 mm
For 3-position type : SJ3000-46-D-□	15 1500 mm
For 4-position type	20 2000 mm
	25 2500 mm
	30 3000 mm
	50 5000 mm

Common specifications	
46	For positive common
47	For negative common

For single solenoid

Without lead wire: SJ3000-46-S-N (positive/negative common)
(Connector, Socket x 2 pcs. only)

For double solenoid

Without lead wire: SJ3000-46-D-N (positive/negative common)
(Connector, Socket x 3 pcs. only)

How to Order

Include the connector assembly part number together with the part number for the plug connector's solenoid valve without connector.

(Example) In case of lead wire length 2000 mm and positive common

SJ3160-5MOZ-C6
SJ3000-46-S-20

Connector for Manifolds (for Junction Common)

⚠ Caution

Using the connector (for junction common) for solenoid valves installed in the manifold reduces the labor involved in wiring work because common wiring for all solenoid valves is integrated into a single wire.



SJ1000/2000/3000/4000 Series

Specific Product Precautions 8

Be sure to read this before handling the products. Refer to the back cover for safety instructions. For 3/4/5-port solenoid valve precautions, refer to the “Handling Precautions for SMC Products” and the “Operation Manual” on the SMC website: <https://www.smcworld.com>

Connector (for Junction Common) Part Nos.

Single solenoid

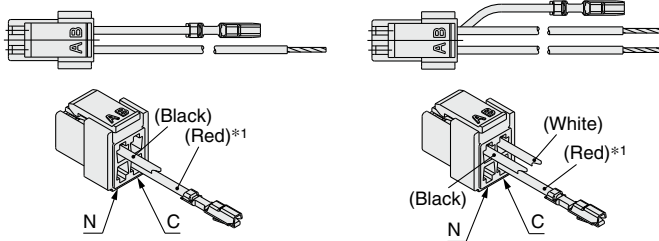
SJ3000-46-SC-□ (for positive common)

SJ3000-47-SC-□ (for negative common)

Double solenoid,
3-position type, 4-position type

SJ3000-46-DC-□ (for positive common)

SJ3000-47-DC-□ (for negative common)



*1 In case of negative common, the lead wire changes from red to yellow.

For single solenoid:		SJ3000-46-SC-□		●Lead wire length	
				Nil	300 mm
				6	600 mm
				10	1000 mm
				15	1500 mm
				20	2000 mm
				25	2500 mm
				30	3000 mm
				50	5000 mm

For double solenoid		SJ3000-46-DC-□	

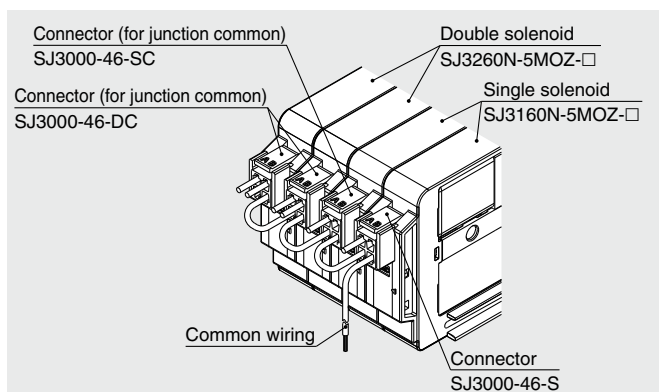
Common specifications ●	
46	For positive common
47	For negative common

● For junction common

How to Order

Indicate the part no. of the connector for the manifold and valve. If the arrangement is too complicated, please specify the details on a manifold specification sheet.

- * Applications like connectors not wired to a valve are not possible.
- * For the valve, please designate “No connector (MOZ)” for the connector type.
- * Connector with lead wire for place where the signals are transmitted to the common wiring. (Only the valves of the first station and/or last station of the manifold are compatible to connector with lead wire for common.)



(Example)

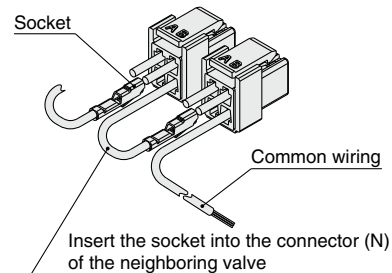
- SS5J3-60-04U 1 set
- * SJ3160N-5MOZ-C6 2 sets
- * SJ3260N-5MOZ-C6 2 sets
- * SJ3000-46-S 1 set (Connector for single solenoid)
- * SJ3000-46-SC 1 set (Connector for single solenoid)
(for junction common)
- * SJ3000-46-DC 2 sets (Connector for double solenoid)
(for junction common)

↳ The asterisk denotes the symbol for the assembly. Prefix it to the part nos. of the valve, etc.

Wiring Instructions for Connector (for Junction Common)

Caution

If only connector (for junction common) is ordered, please wire according to the instructions in the diagram below.





SJ1000/2000/3000/4000 Series

Specific Product Precautions 9

Be sure to read this before handling the products. Refer to the back cover for safety instructions. For 3/4/5-port solenoid valve precautions, refer to the “Handling Precautions for SMC Products” and the “Operation Manual” on the SMC website: <https://www.smcworld.com>

SJ
1000
2000
3000
4000

Common
Specifications

Construction

Plug-in

D-sub
Flat Ribbon

EX180

EX510

Non
Plug-in

Individual
Wiring

Manifold
Options

Made to
Order

SJ3A6

Common Spec.
Construction

Plug-in

D-sub
Flat Ribbon
Serial

Non
Plug-in

Individual
Wiring

Specific Product
Precautions

One-touch Fittings

Caution

When fittings are used, they may interfere with one another depending on their types and sizes. Therefore, the dimensions of the fittings to be used should first be confirmed in their respective catalogs.

Fittings whose compliance with the SJ series is already confirmed are stated below. If the fitting within the applicable range is selected, there will not be any interference.

Applicable Fittings: KQ2H, KQ2S Series KJH, KJS Series

Series	Model	Piping port	Port size	Fitting	Applicable tubing O.D.			
					ø2	ø3.2	ø4	ø6
SJ3000 (10 mm pitch)	SJ3□60-□□-M5	4A, 2B	M5	KQ2H KJH	[Shaded bar]			
				KQ2S KJS	[Shaded bar]			
SJ2000 (7.5 mm pitch)	SJ2□60-□□-M3	4A, 2B	M3	KQ2H KJH	[Shaded bar]			
				KQ2S KJS	[Shaded bar]			
SJ3A6 (10 mm pitch)	SJ3A6-□□	2B	M5	KQ2H KJH	[Shaded bar]			
				KQ2S KJS	[Shaded bar]			

Safety Instructions

These safety instructions are intended to prevent hazardous situations and/or equipment damage. These instructions indicate the level of potential hazard with the labels of “**Caution**,” “**Warning**” or “**Danger**.” They are all important notes for safety and must be followed in addition to International Standards (ISO/IEC)*1), and other safety regulations.

Caution: **Caution** indicates a hazard with a low level of risk which, if not avoided, could result in minor or moderate injury.

Warning: **Warning** indicates a hazard with a medium level of risk which, if not avoided, could result in death or serious injury.

Danger: **Danger** indicates a hazard with a high level of risk which, if not avoided, will result in death or serious injury.

*1) ISO 4414: Pneumatic fluid power – General rules relating to systems.
 ISO 4413: Hydraulic fluid power – General rules relating to systems.
 IEC 60204-1: Safety of machinery – Electrical equipment of machines.
 (Part 1: General requirements)
 ISO 10218-1: Manipulating industrial robots – Safety.
 etc.

Warning

1. The compatibility of the product is the responsibility of the person who designs the equipment or decides its specifications.

Since the product specified here is used under various operating conditions, its compatibility with specific equipment must be decided by the person who designs the equipment or decides its specifications based on necessary analysis and test results. The expected performance and safety assurance of the equipment will be the responsibility of the person who has determined its compatibility with the product. This person should also continuously review all specifications of the product referring to its latest catalog information, with a view to giving due consideration to any possibility of equipment failure when configuring the equipment.

2. Only personnel with appropriate training should operate machinery and equipment.

The product specified here may become unsafe if handled incorrectly. The assembly, operation and maintenance of machines or equipment including our products must be performed by an operator who is appropriately trained and experienced.

3. Do not service or attempt to remove product and machinery/equipment until safety is confirmed.

- The inspection and maintenance of machinery/equipment should only be performed after measures to prevent falling or runaway of the driven objects have been confirmed.
- When the product is to be removed, confirm that the safety measures as mentioned above are implemented and the power from any appropriate source is cut, and read and understand the specific product precautions of all relevant products carefully.
- Before machinery/equipment is restarted, take measures to prevent unexpected operation and malfunction.

4. Contact SMC beforehand and take special consideration of safety measures if the product is to be used in any of the following conditions.

- Conditions and environments outside of the given specifications, or use outdoors or in a place exposed to direct sunlight.
- Installation on equipment in conjunction with atomic energy, railways, air navigation, space, shipping, vehicles, military, medical treatment, combustion and recreation, or equipment in contact with food and beverages, emergency stop circuits, clutch and brake circuits in press applications, safety equipment or other applications unsuitable for the standard specifications described in the product catalog.
- An application which could have negative effects on people, property, or animals requiring special safety analysis.
- Use in an interlock circuit, which requires the provision of double interlock for possible failure by using a mechanical protective function, and periodical checks to confirm proper operation.

Caution

1. The product is provided for use in manufacturing industries.

The product herein described is basically provided for peaceful use in manufacturing industries.
 If considering using the product in other industries, consult SMC beforehand and exchange specifications or a contract if necessary.
 If anything is unclear, contact your nearest sales branch.

Limited warranty and Disclaimer/ Compliance Requirements

The product used is subject to the following “Limited warranty and Disclaimer” and “Compliance Requirements”.

Read and accept them before using the product.

Limited warranty and Disclaimer

- The warranty period of the product is 1 year in service or 1.5 years after the product is delivered, whichever is first.*2)
 Also, the product may have specified durability, running distance or replacement parts. Please consult your nearest sales branch.
- For any failure or damage reported within the warranty period which is clearly our responsibility, a replacement product or necessary parts will be provided.
 This limited warranty applies only to our product independently, and not to any other damage incurred due to the failure of the product.
- Prior to using SMC products, please read and understand the warranty terms and disclaimers noted in the specified catalog for the particular products.

*2) Vacuum pads are excluded from this 1 year warranty.

A vacuum pad is a consumable part, so it is warranted for a year after it is delivered.
 Also, even within the warranty period, the wear of a product due to the use of the vacuum pad or failure due to the deterioration of rubber material are not covered by the limited warranty.

Compliance Requirements

- The use of SMC products with production equipment for the manufacture of weapons of mass destruction (WMD) or any other weapon is strictly prohibited.
- The exports of SMC products or technology from one country to another are governed by the relevant security laws and regulations of the countries involved in the transaction. Prior to the shipment of a SMC product to another country, assure that all local rules governing that export are known and followed.

Caution

SMC products are not intended for use as instruments for legal metrology.

Measurement instruments that SMC manufactures or sells have not been qualified by type approval tests relevant to the metrology (measurement) laws of each country. Therefore, SMC products cannot be used for business or certification ordained by the metrology (measurement) laws of each country.

Revision History


Edition B * A non plug-in type individual wiring manifold has been added.
 * An EX510 serial wiring compatible type has been added.
 * A PC wiring compatible type has been added.
 * A regulator block and an intermediate connector block have been added as options.
 * The SJ3A6 series vacuum release valve with restrictor has been added.
 * Number of pages has been increased from 48 to 96. LZ

Edition C * A plug-in cable type manifold has been added.
 * A SUP/EXH block with regulator and pressure switch, and a valve with speed controller have been added as options.

* A slide locking type manual override has been added.
 * Number of pages has been increased from 96 to 112. RQ

Edition D * The SJ1000 series has been added.
 * A low-profile SUP/EXH block has been added as an option.
 * Number of pages has been increased from 112 to 120. AR

Edition E * The SJ3000A and SJ4000 series have been added.
 * Number of pages has been increased from 120 to 148. AA

 **Safety Instructions** Be sure to read the “Handling Precautions for SMC Products” (M-E03-3) and “Operation Manual” before use.

SMC Corporation

Akihabara UDX 15F,
 4-14-1, Sotokanda, Chiyoda-ku, Tokyo 101-0021, JAPAN
 Phone: 03-5207-8249 Fax: 03-5298-5362
<https://www.smcworld.com>
 © 2023 SMC Corporation All Rights Reserved

Specifications are subject to change without prior notice and any obligation on the part of the manufacturer.

D-G