

Water Strainer

Removal of foreign matter in water line

Specifications

Model	Port size	Fluid *1	Proof pressure	Max. operating pressure	Mesh (Filtration accuracy)	Ambient and fluid temperature	Weight
WF300-□	Rc1/4, 3/8, 1/2	Water	1.67 MPa	1.18 MPa	100 mesh (150 μm equivalent)	5 to 80°C	0.29 kg
WF300-□-1-X204					70 mesh (200 μm equivalent)		
WF300-□-2-X204					50 mesh (300 μm equivalent)		
WF300-□-3-X204					25 mesh (700 μm equivalent)		

*1: Cannot be used with deionized water.

How to Order

Mesh (Filtration accuracy): 100 mesh (150 μm equivalent)

WF300-02

Port size

02	Rc1/4
03	Rc3/8
04	Rc1/2

Mesh (Filtration accuracy): 70 mesh (200 μm equivalent), 50 mesh (300 μm equivalent), 25 mesh (700 μm equivalent)

WF300-02-1-X204

Port size

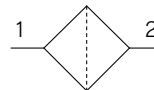
02	Rc1/4
03	Rc3/8
04	Rc1/2

Mesh

1	70 mesh (200 μm equivalent)
2	50 mesh (300 μm equivalent)
3	25 mesh (700 μm equivalent)

Mesh:
100/70/50/25 mesh

Symbol



Related Equipment

Water Regulator

WR110-□-X224/WR110-□-X215

[Click here for details](#)

Body material:
Special brass



Port size

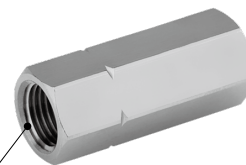
- Set pressure range (-X224): 0.08 to 0.39 MPa Rc1/8, Rc1/4
- Set pressure range (-X215): 0.05 to 0.69 MPa Rc1/8, Rc1/4 NPT1/8, NPT1/4

Check Valve

INA-14-290/XTO-674-□□

[Click here for details](#)

Body material: Brass



Port size: Rc1/8



Port size: Rc1/4, 3/8, 1/2

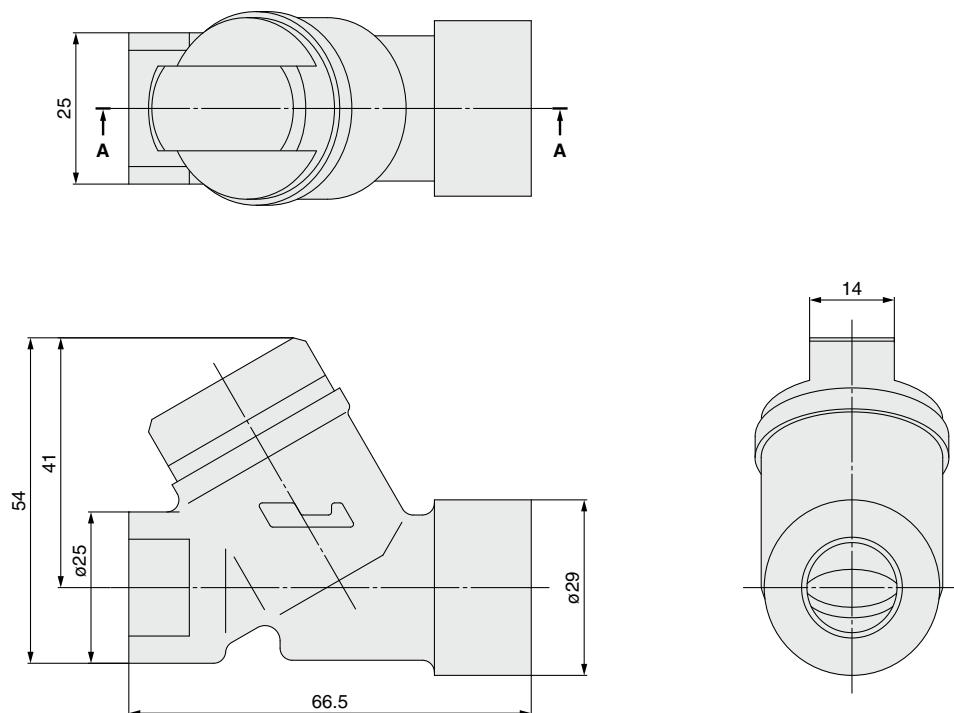
Series **WF300**



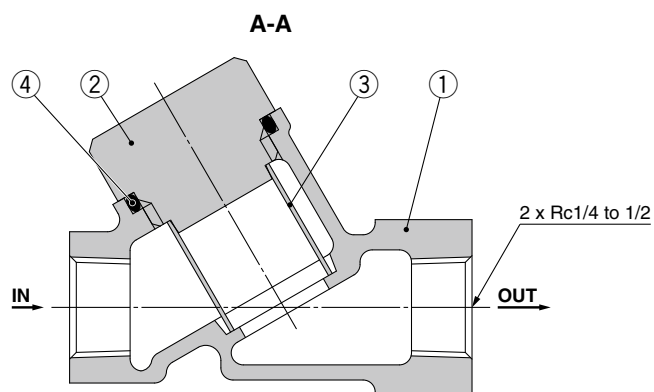
14-E628 ©

Series WF300

Dimensions



Construction



Component Parts

No.	Description	Material
1	Body	Bronze casted
2	Cap	Brass
4	O-ring	NBR

*: Please contact SMC for O-rings which are made of fluorine-based materials.

Replacement Parts

No.	Description	Material	Part number			
			100 mesh	70 mesh	50 mesh	25 mesh
3	Element	Stainless steel	11366	11366-1-1	11366-2-1	11366-3-1

⚠ Safety Instructions Be sure to read the "Handling Precautions for SMC Products" (M-E03-3) and "Operation Manual" before use.