

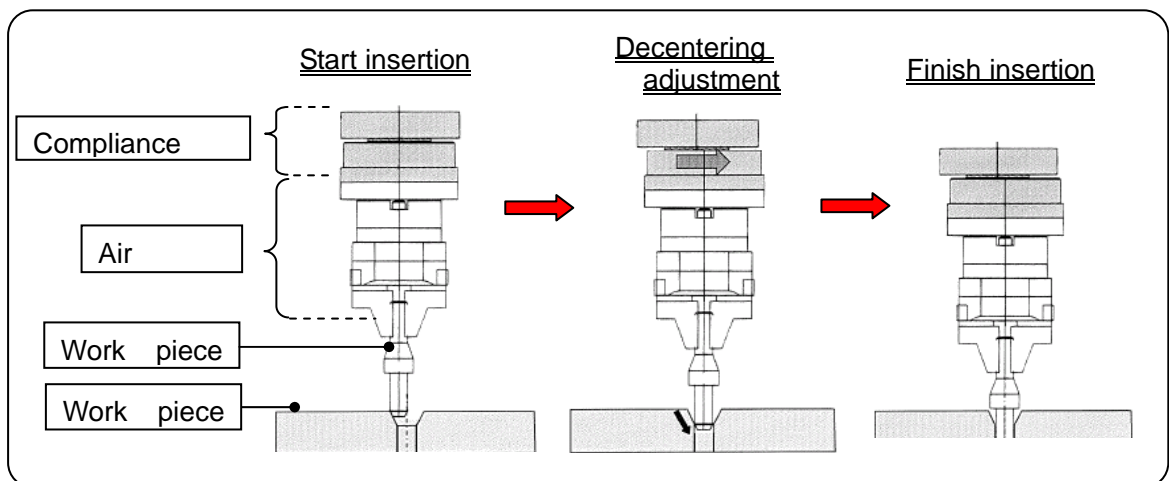
⚠ Contact our sales office regarding a delivery date or a price since this is a special model.

Compliance unit MA210-H3-*-X492 / MA210-H3-*-X493

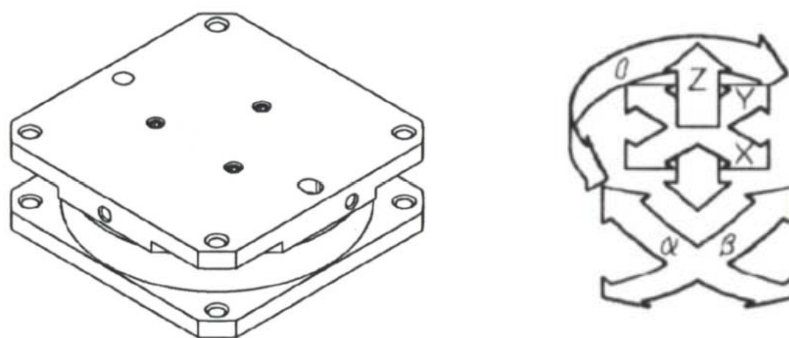
SMC CORPORATION
4-14-1, SOTO-KANDA, CHIYODA-KU,
TOKYO 101-0021, JAPAN
URL: <http://www.smcworld.com>

- Adjustment manpower is reduced by automatically adjusting the decentering that occurs at parts assembly.
- Reduces increasing costs with accuracy improvement of the equipment

Application: Light press-fit and assembly of parts



■ Adjust X, Y, Z, θ , α and β automatically




■ Center lock mechanism

Moving parts can be fixed at the center position. Prevents stagger of the tool in transit.

■ Automatic return type via spring

Without external force, it returns to the center position.

Specifications

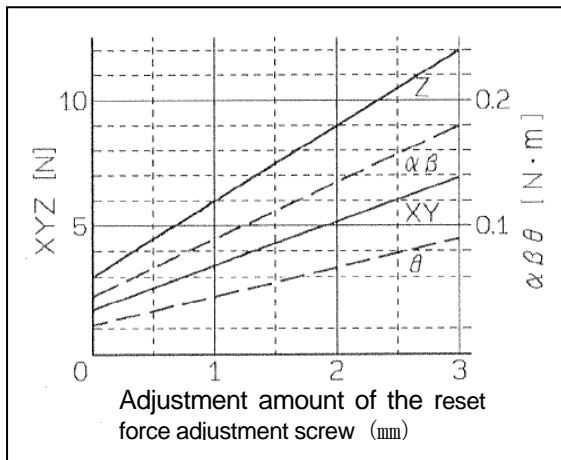
Model	MA210-H3-*-X492		MA210-H3-*-X493		
	With	Without	With	Without	
Center lock mechanism	When locked	When not locked	When locked	When not locked	
Handling	Single acting/Air supply when locked		Single acting/Air supply when locked		
Fluid temperature (°C)	0~60		0~60		
Pressure range (MPa)	0.15~0.7		0.15~0.7		
Transportable weight (kg)	1	0.2	1.5	0.3	
Z direction allowable static loading (N)	70+ lock force	70	100+ lock force	100	
Aβ direction allowable moment (N·m)	0.5+lock M	0.5	0.7+lock M	0.7	
Positioning repeatability (mm)	±0.02	±0.1	±0.02	±0.1	
Weight (movable part) (g)	75{35}		165{96}		
Operating range 	XY (mm)	Ø 2		Ø 2	
	Z (mm)	-0.5		-0.5	
	θ (°)	±4		±2.7	
	αβ (°)	±1		±0.6	

“Reset force/Reset moment” and “Lock force/Lock moment” (Theoretical value)

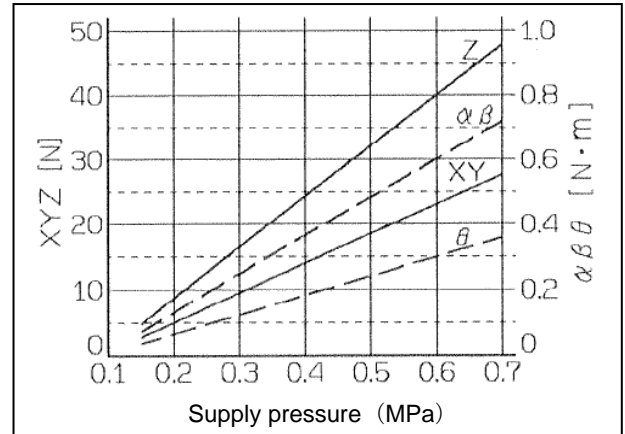
Note) Lock force/lock moment will be the sum of Graph 1 and Graph 2

<<MA210-H3-*-X492>>

Graph 1: Reset force/Reset moment

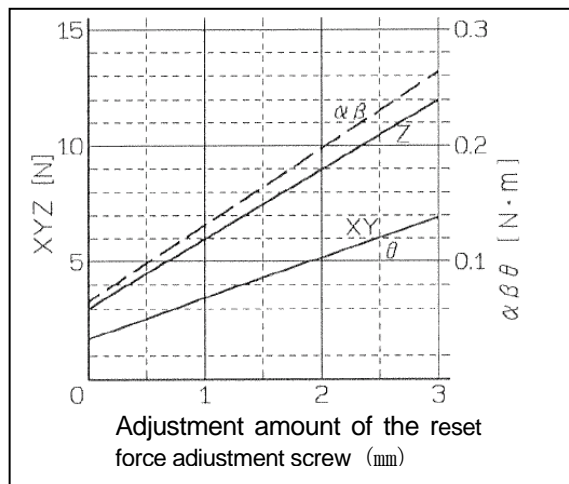


Graph 2: Supply pressure and Lock force/lock moment

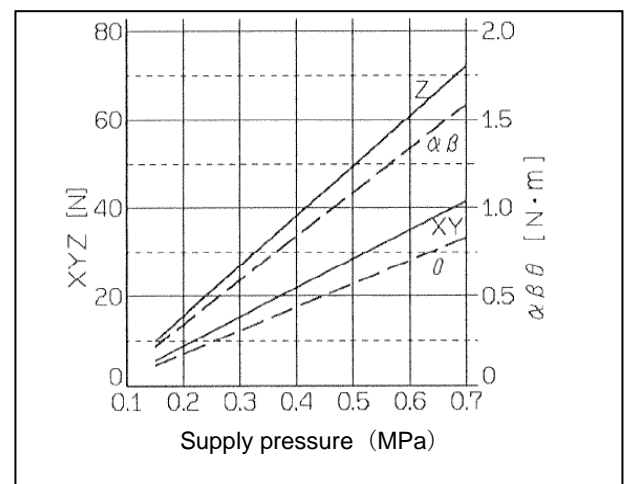


<<MA210-H3-*-X493>>

Graph 1: Reset force/Reset moment
Moment to return home



Graph 2: Supply pressure and Lock force/lock moment



How to Order

MA210 - H3 - L - X492

Center lock mechanism

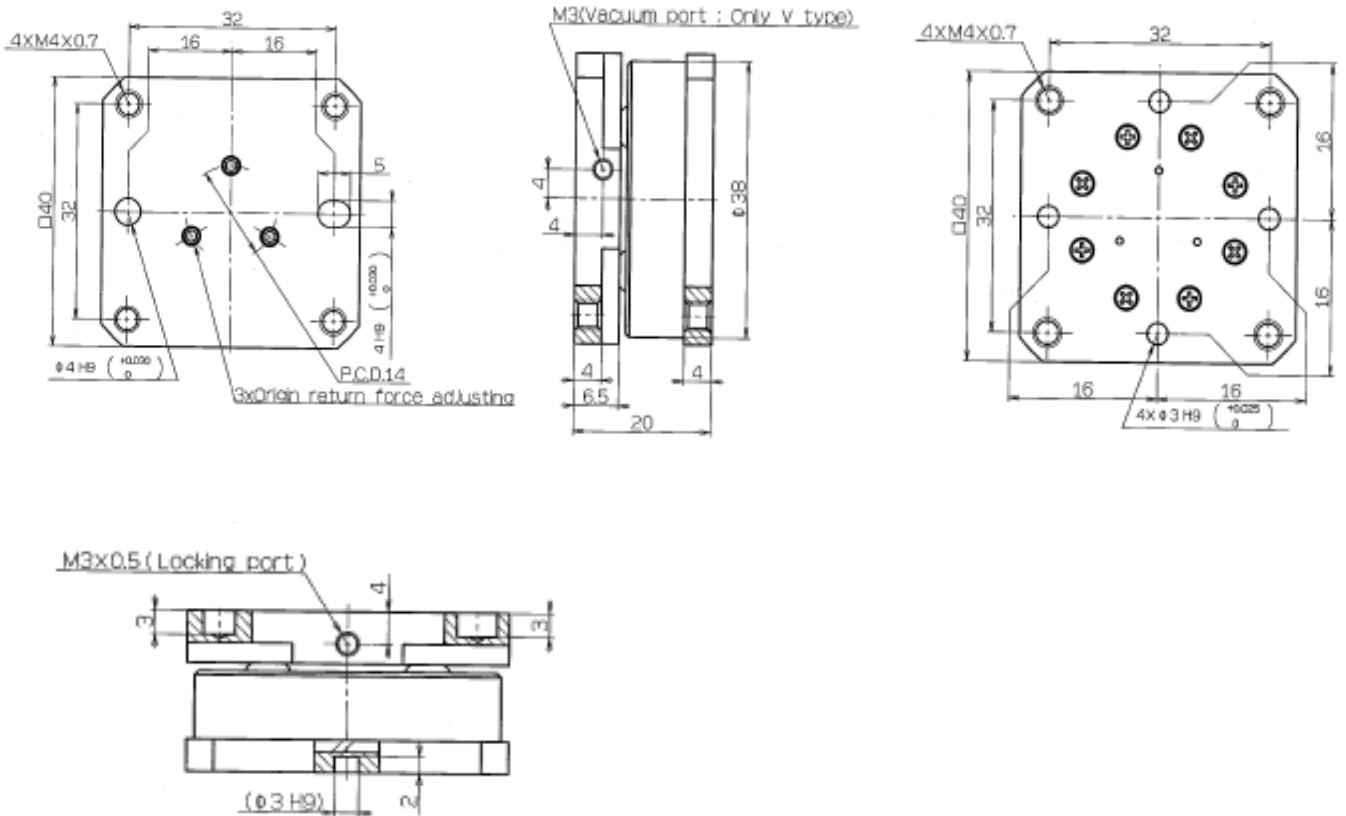
L	With lock
N	Without lock

Body size

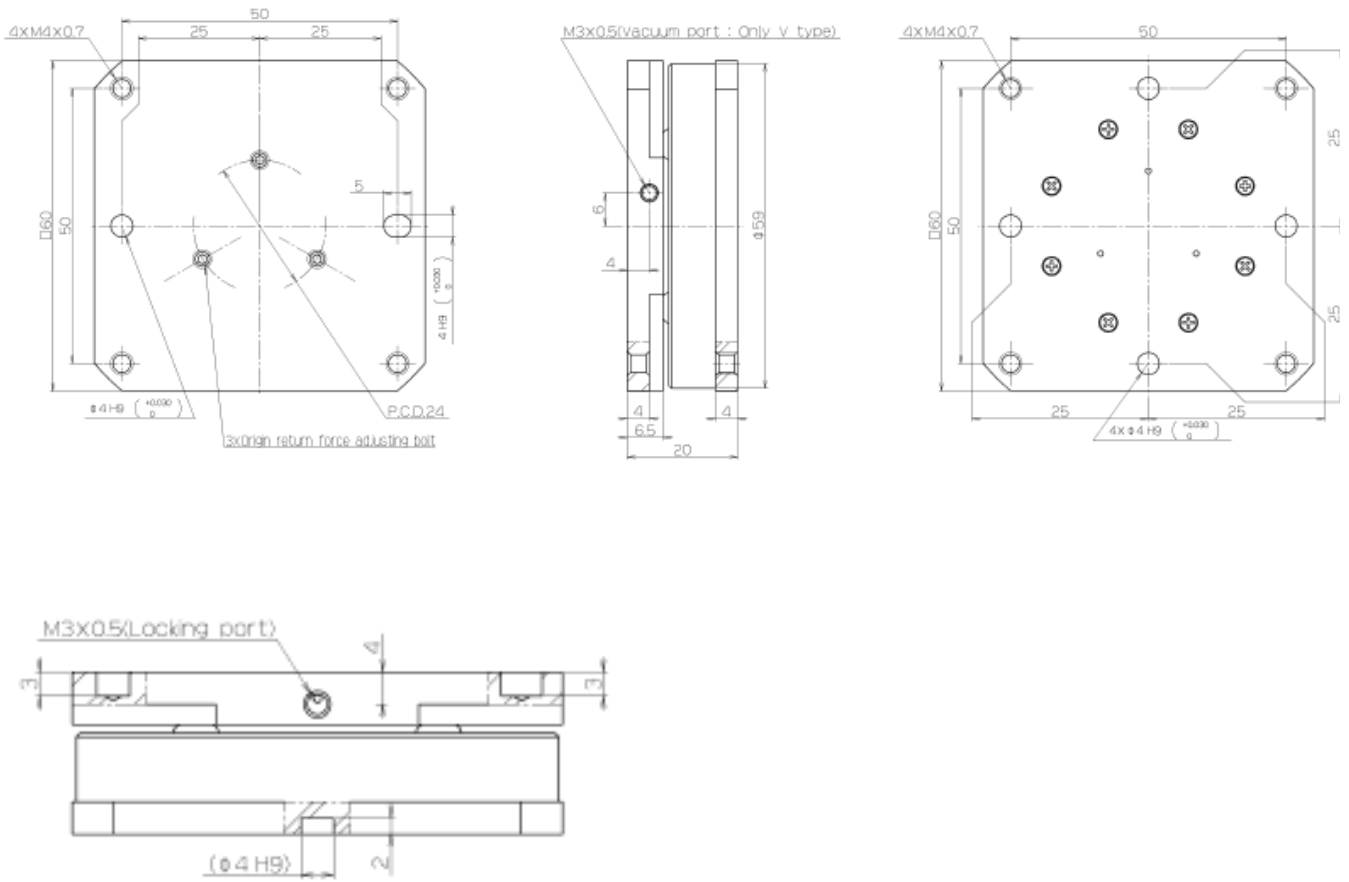
X492	□ 40
X493	□ 60

Dimensions (mm)

•MA210-H3-*-X492



•MA210-H3-*-X493



⚠ Caution To ensure the safest possible operation of this product, please be sure to thoroughly read the "Safety Instructions" in our "Best Pneumatics" catalog before use.

©2009 SMC CORPORATION All Rights Reserved