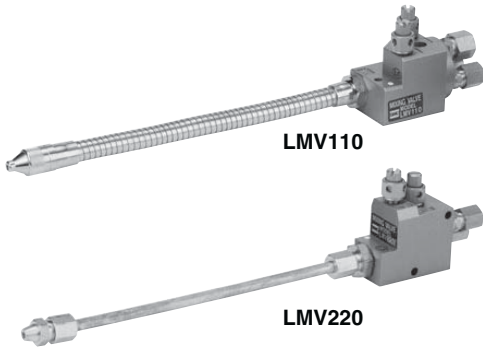


# Series LMU100/200 Related Products

## Mixing Valve: Series LMV



### Specifications

Inlet air pressure	0.3 MPa Max.	
Ambient and fluid temperature	5 to 60°C	
Port size	AIR	T0604 (ø6 tube) applicable
	OIL	T0425 (ø4 tube) applicable
	AIR BLOW	T0806 (ø8 tube) applicable

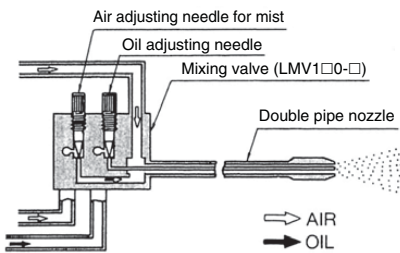
### How to Order

**LMV 1 1 0 - 20**

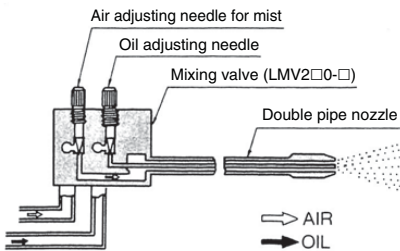
● Mixing valve	1	Available	● Nozzle tubing construction	1	Flexible tubing	● Nozzle tubing length: L	20	200 mm
	2	Not available		2	Copper tubing		25	250 mm
					30		300 mm	
					35		350 mm	

### Construction

#### LMV1□0/With air blow circuit

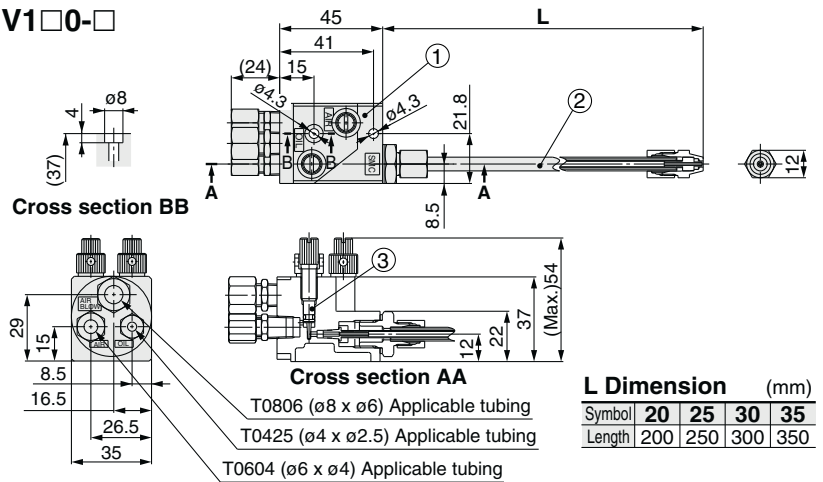


#### LMV2□0/Without air blow circuit



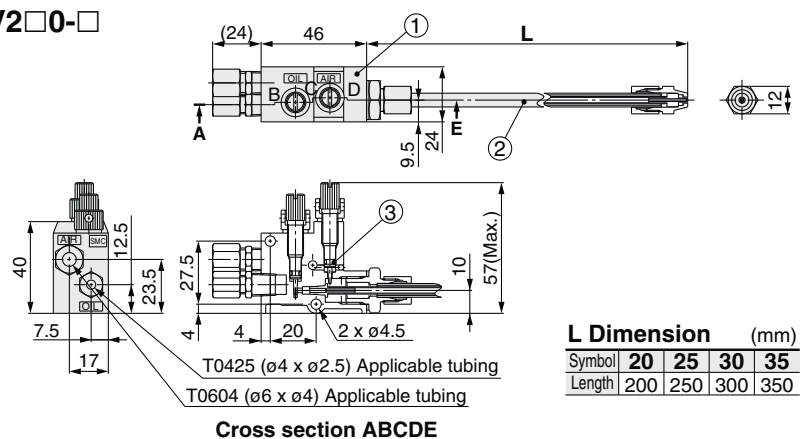
### Dimensions

#### LMV1□0-□



L Dimension (mm)	
Symbol	20 25 30 35
Length	200 250 300 350

#### LMV2□0-□



L Dimension (mm)	
Symbol	20 25 30 35
Length	200 250 300 350

### Main Parts List

No.	Description	Material	Note
1	Mixing valve body	Aluminum die-casted	Platinum silver coated

### Spare Parts/Replacement Parts Part No.

No.	Description	Material	Qty.	Part no.	
				LMV□10	LMV□20
2	Flexible nozzle assembly	—	1	81023-2A-1 to 4 Note 1)	—
	Copper piping nozzle assembly	—	1	—	81023-31A-1 to 4 Note 1)
3	O-ring	FKM	2	123116-2	

Note 1) Numbers indicate nozzle lengths. -1: 200 mm, -2: 250 mm, -3: 300 mm, -4: 350 mm