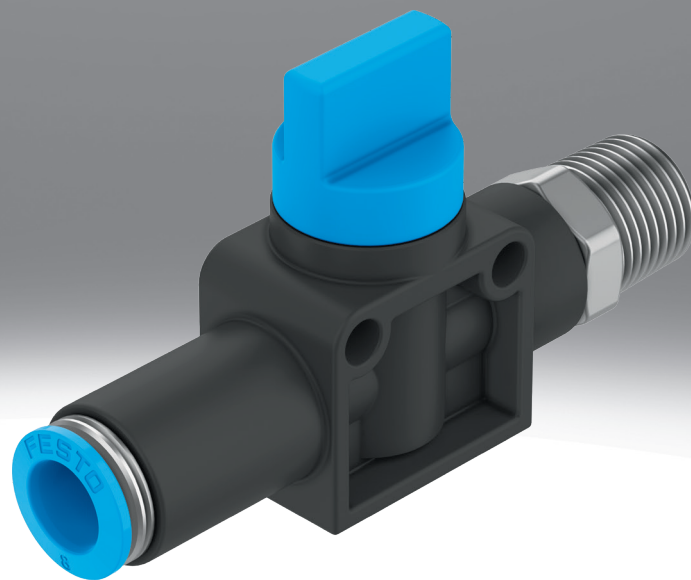


Shut-off valve HE

FESTO



Characteristics

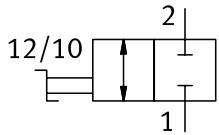
At a glance

Manually operated valve in sturdy polymer design.

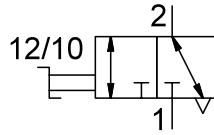
- Shut-off valve, manually operated
- Connection: thread at both ends, push-in connector at both ends, thread/push-in connector
- Different mounting variants

Valve function

[2] 2/2-way valve



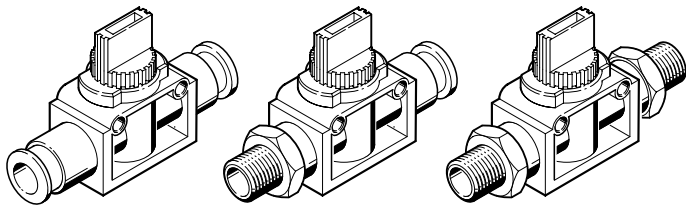
[3] 3/2-way valve



Pneumatic connection 1

Pneumatic connection via male thread or plug-in connection.

Pneumatic connection 2



Possible connection variants:

- Push-in connector at both ends
- Combination male thread/plug-in connection
- Male thread at both ends

Type code

001	Series
HE	On/off-exhaust valve
002	Valve function
2	2/2-way valve
3	3/2-way valve
003	Pneumatic connection 1
1/8	Male thread R1/8
1/4	Male thread R1/4
3/8	Male thread R3/8
1/2	Male thread R1/2
QS-6	Push-in connector 6 mm
QS-8	Push-in connector 8 mm
QS-10	Push-in connector 10 mm
QS-12	Push-in connector 12 mm

004	Pneumatic connection 2
	Same size push-in connector as pneumatic connection 1
1/8	Male thread R1/8
1/4	Male thread R1/4
3/8	Male thread R3/8
QS-6	Push-in connector 6 mm
QS-8	Push-in connector 8 mm
QS-10	Push-in connector 10 mm
QS-12	Push-in connector 12 mm

Datasheet

Technical data – HE-2

Pneumatic connection, port 1	R1/8	R1/4	R3/8	R1/2	QS-6	QS-8	QS-10	QS-12
Pneumatic connection, port 2	QS-6	QS-8	QS-10	QS-12	QS-6	QS-8	QS-10	QS-12
Design	Piston gate valve							
Type of mounting	Either: Direct mounting via through-hole Direct mounting via thread				Either: Direct mounting via through-hole In-line installation			
Mounting position	optional							
Valve function	2/2 double solenoid							
Type of actuation	Manual							
Type of piloting	Direct							
Flow direction	Reversible							
Sealing principle	Soft							
Operating pressure	-0.095 ... 1 MPa							
Operating pressure	-0.95 ... 10 bar							
Operating medium	Compressed air to ISO 8573-1:2010 [7:-:]							
Note on operating and pilot medium	Lubricated operation possible (in which case lubricated operation will always be required)							
Ambient temperature	0 ... 60°C							
Media temperature	0 ... 60°C							
Corrosion resistance class CRC ¹⁾	2 - Moderate corrosion stress							
Material housing	PBT-reinforced							
Material screwed plug	Nickel-plated brass				-			
Material seals	NBR							
Note on materials	RoHS-compliant							
LABS (PWIS) conformity	VDMA24364-B1/B2-L							

1) More information: www.festo.com/x/topic/crc

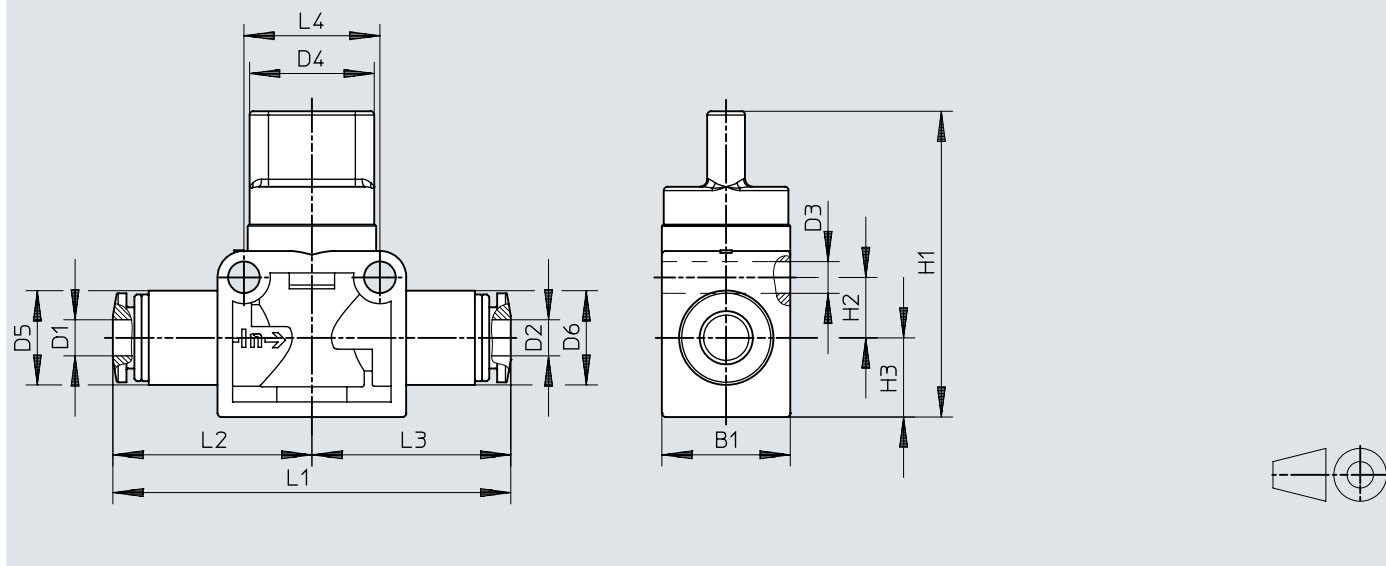
Technical data – HE-3

Pneumatic connection, port 1	R1/8	R1/4	R3/8	R1/2	QS-6	QS-8	QS-10	QS-12
Pneumatic connection, port 2	R1/8 QS-6	R1/4 QS-8	R3/8 QS-10	QS-12	QS-6	QS-8	QS-10	QS-12
Design	Piston gate valve							
Type of mounting	Either: Direct mounting via through-hole Direct mounting via thread				Either: Direct mounting via through-hole In-line installation			
Mounting position	optional							
Valve function	3/2 double solenoid							
Type of actuation	Manual							
Exhaust-air function	Without flow control option							
Type of piloting	Direct							
Flow direction	Non-reversible							
Sealing principle	Soft							
Operating pressure	-0.095 ... 1 MPa							
Operating pressure	-0.95 ... 10 bar							
Operating medium	Compressed air to ISO 8573-1:2010 [7:-:]							
Note on operating and pilot medium	Lubricated operation possible (in which case lubricated operation will always be required)							
Ambient temperature	0 ... 60°C							
Media temperature	0 ... 60°C							
Corrosion resistance class CRC ¹⁾	2 - Moderate corrosion stress							
Material housing	PBT-reinforced							
Material screwed plug	Nickel-plated brass				-			
Material seals	NBR							
Note on materials	RoHS-compliant							
LABS (PWIS) conformity	VDMA24364-B1/B2-L							

1) More information: www.festo.com/x/topic/crc

Dimensions

Dimensions – Push-in connector at both ends

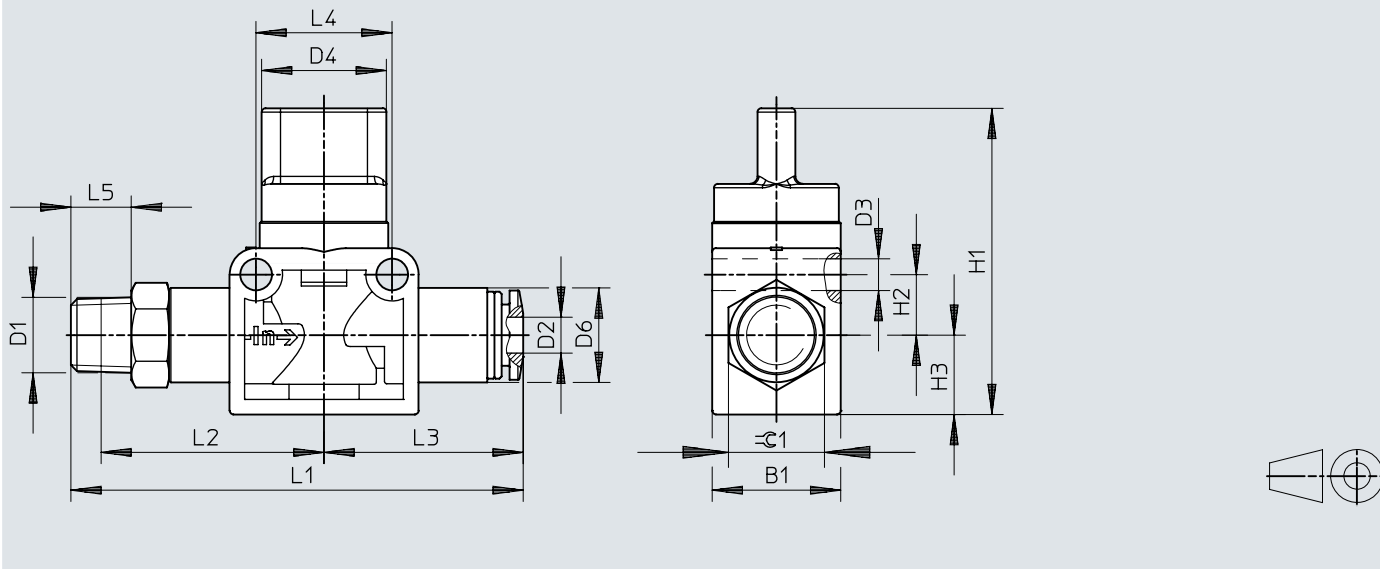
Download CAD data → www.festo.com

	B1	D1 ∅	D2 ∅	D3 ∅	D4 ∅	D5 ∅	D6 ∅	H1	H2	H3	L1	L2	L3	L4
HE...-QS-6	17	6	6	4,2	16,5	12,5	12,5	40,5	8	10,5	52,7	26,4	26,4	18
HE...-QS-8	17	8	8	4,2	16,5	15	15	40,5	8	10,5	55,4	27,7	27,7	18
HE...-QS-10	21,7	10	10	4,2	19,5	17,5	17,5	41	11	10,5	64,4	32,2	32,2	24
HE...-QS-12	21,7	12	12	4,2	19,5	21	21	41	11	10,5	69,8	34,9	34,9	24

Dimensions

Dimensions – Male thread/plug-in connector

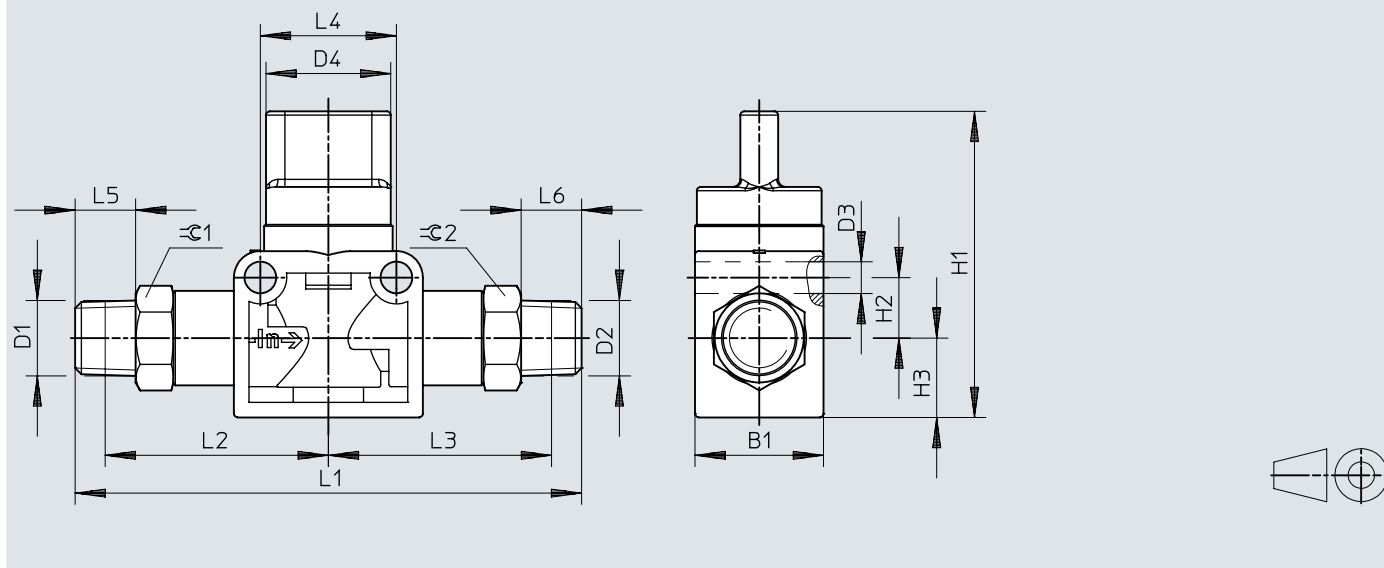
Download CAD data → www.festo.com



	B1	D1	D2 ø	D3 ø	D4 ø	D6 ø	H1	H2	H3	L1	L2	L3	L4	L5	⊙ 1
HE...-1/8-QS-6	17	R1/8	6	4,2	16,5	12,5	40,5	8	10,5	59,9	29,5	26,4	18	8	12
HE...-1/4-QS-8	17	R1/4	8	4,2	16,5	15	40,5	8	10,5	64,2	30,5	27,7	18	11	14
HE...-3/8-QS-10	21,7	R3/8	10	4,2	19,5	17,5	41	11	10,5	75,7	37	32,2	24	12	17
HE...-1/2-QS-12	21,7	R1/2	12	4,2	19,5	21	41	11	10,5	81,4	38,5	34,9	24	15	21

Dimensions


Dimensions – Male thread on both sides

Download CAD data → www.festo.com


	B1	D1	D2	D3 ∅	D4 ∅	H1	H2	H3	L1	L2	L3	L4	L5	L6	$\approx \text{G} 1$	$\approx \text{G} 2$
HE-3-1/8-1/8	17	R1/8	R1/8	4,2	16,5	40,5	8	10,5	67	29,5	29,5	18	8	8	12	12
HE-3-1/4-1/4	21,7	R1/4	R1/4	4,2	19,5	41	11	10,5	85	36,5	36,5	24	11	11	14	14
HE-3-3/8-3/8	21,7	R3/8	R3/8	4,2	19,5	41	11	10,5	87	37,2	37,2	24	12	12	17	17

Ordering data

Ordering data – 2/2-way valve

	Pneumatic connection, port 1	Pneumatic connection, port 2	Standard nominal flow rate	Product weight	Part no.	Type
	R1/8	QS-6	279.9 l/min	29 g	153471	HE-2-1/8-QS-6
	R1/4	QS-8	423.9 l/min	36 g	153472	HE-2-1/4-QS-8
	R3/8	QS-10	760.5 l/min	60 g	153473	HE-2-3/8-QS-10
	R1/2	QS-12	834.3 l/min	86 g	153474	HE-2-1/2-QS-12
	QS-6	QS-6	256.5 l/min	23 g	153467	HE-2-QS-6
	QS-8	QS-8	415.8 l/min	26 g	153468	HE-2-QS-8
	QS-10	QS-10	752.4 l/min	41 g	153469	HE-2-QS-10
	QS-12	QS-12	788.4 l/min	47 g	153470	HE-2-QS-12

Ordering data – 3/2-way valve

	Pneumatic connection, port 1	Pneumatic connection, port 2	Standard nominal flow rate	Product weight	Part no.	Type
	R1/8	R1/8	369.9 l/min	35 g	153296	HE-3-1/8-1/8
		QS-6	279.9 l/min	29 g	153479	HE-3-1/8-QS-6
	R1/4	R1/4	625.5 l/min	58 g	153297	HE-3-1/4-1/4
		QS-8	423.9 l/min	36 g	153480	HE-3-1/4-QS-8
	R3/8	R3/8	797.4 l/min	79 g	153298	HE-3-3/8-3/8
		QS-10	760.5 l/min	60 g	153481	HE-3-3/8-QS-10
	R1/2	QS-12	834.3 l/min	86 g	153482	HE-3-1/2-QS-12
	QS-6	QS-6	256.5 l/min	23 g	153475	HE-3-QS-6
	QS-8	QS-8	415.8 l/min	26 g	153476	HE-3-QS-8
	QS-10	QS-10	752.4 l/min	41 g	153477	HE-3-QS-10
QS-12	QS-12	788.4 l/min	47 g	153478	HE-3-QS-12	