

Technical data

Plug socket MSSD-EB

- Plug socket for connecting individual valves
- M12 plug for pre-assembled cable
- 2-pin socket
- With LED



General technical data		
Electrical connection	1	Socket, to EN 175301-803, type C
	2	Straight plug, M12x1, 2-pin, A-coded
Based on norm		EN 175301-803
		EN 61076-2-101
		EN 61984
Type of mounting		On solenoid valve via M2.5 central screw
Nominal operating voltage	[V DC]	24
Operating voltage range	[V DC]	12 ... 24
	[V AC]	12 ... 24
Surge resistance	[kV]	2.5
Current rating	[A]	0.12
Switching position indication		LED
Degree of protection		IP65
Product weight	[g]	13.18

Materials	
Housing	PA
Housing colour	Transparent
Screw-type lock	Nickel-plated steel
Seals	HNBR
	NBR
Pin contacts	Silver-plated copper alloy
	Gold-plated brass
PWIS conformity	VDMA24364-B2-L

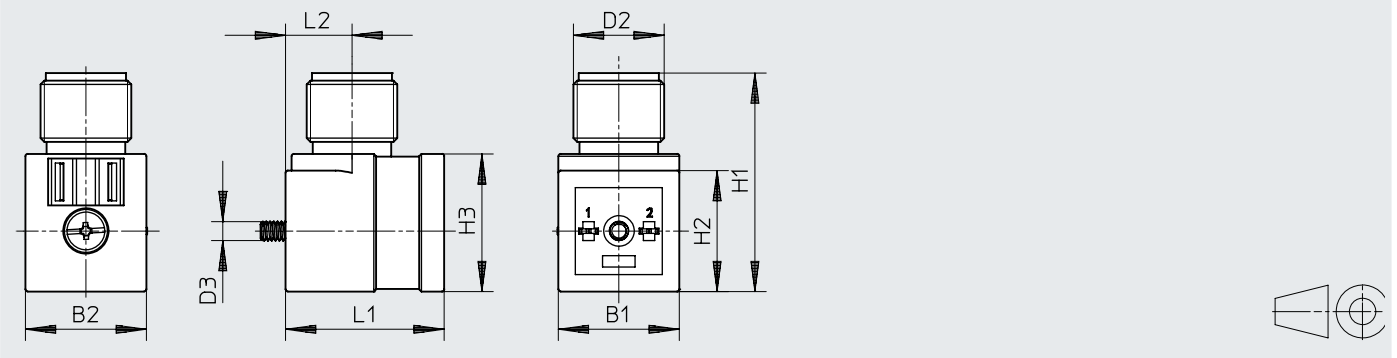
Operating and environmental conditions		
Ambient temperature	[°C]	-10 ... +50
Corrosion resistance class (CRC2)		2
Pollution degree		3

1) More information: www.festo.com/x/topic/kbk

Technical data

Dimensions

Download CAD data → www.festo.com



	B1	B2	D2	D3	H1	H2	H3	L1	L2
MSSD-EB-M12-MONO	16	16	M12x1	M2.5	28.9	16	18.2	21	8.8

Ordering data

Electrical connection	Part no.	Type
Socket, to EN 175301-803, type C; straight plug, 2-pin, M12x1	188024	MSSD-EB-M12-MONO

Ordering data – Accessories

	Description	Part no.	Type
	Inscription labels 6x10 mm, 64 pieces, in frame	18576	IBS-6x10