

## Push-in fittings NPQP

**FESTO**



## Key features

### Application



Choosing the right fitting is effortless. With a system that includes well over 1000 types of standard and function fittings, Festo offers a secure solution for every connection.

### Summary of tubing/fitting combinations

Applications	Fitting	Tubing	Description
Standard	QS	PEN	Suitable for a wide range of tasks and attractively priced. Flexible thanks to highly resistant materials, easy to install thanks to optimised bending radii. High level of abrasion resistance in dynamic applications.
	QS	PUN	Maximum flexibility in standard applications thanks to an extremely wide range of options for combining the different types.
	QS	PAN	Meets all requirements, even for standard applications with increased pressure and temperature ranges.
High pressures	NPQM	PAN-MF	Meets DIN standard 73378: ideal for use in mobile pneumatics. Suitable for increased temperature ranges combined with high pressure ranges.
	NPQH	PAN-R	Powerful in pressure ranges up to 20 bar, for example in applications with the pressure booster DPA.
	NPQR	PUN-H-SF	Use in areas with higher pressure ranges and humidity. Tubing PUN-H-SF is resistant to kinking and hydrolysis and is suitable for water applications.
Resistant to chemicals and hydrolysis	NPQP	PLN	Resistant to cleaning agents, FDA-compliant and economical. Can be used instead of the combination with stainless steel fittings.
	NPKA	PUN-H	Hydrolysis-resistant and suitable for water applications. Combination suitable for use in cleanrooms, FDA-compliant and corrosion-resistant because it's 100% polymer. Very easy to install with the "one-click principle".
	NPQR	PFAN/PTFEN	Optimised design, fewer edges where dirt can collect – all at an attractive price. For high temperatures up to 150 °C. Pressure range up to 16 bar. Maximum corrosion resistance (CRC 4).
	NPCK	PFAN/PTFEN	Easy to clean thanks to the union nut's edge-free design. Maximum corrosion resistance (CRC 4) and FDA-compliant. Suitable for a wide range of media.
	CRQS	PFAN/PTFEN	Maximum corrosion resistance (CRC 4) and maximum resistance to aggressive acids and alkalis.
Resistant to chemicals and hydrolysis, food-safe	NPQR	PUN-H-F/PFAN	Food-safe to Regulation (EC) No. 1935/2004 and FDA-listed materials. Can be used in the food and packaging industry in combination with PUN-H-F and PFAN.
	NPQH	PFAN/PTFEN	For high temperatures up to 150 °C. Food-safe to Regulation (EC) No. 1935/2004, FDA-listed materials and resistant to cleaning agents.
Anti-static	NPQM	PUN-CM	Anti-static tubing plus solid metal fitting: maximum protection for electric and electronic components.
Flame-retardant	NPQM	PUN-V0	Very safe in areas where there is a risk of fire thanks to flame-retardant properties. The tubing has been tested to DIN 5510-2.
Resistant to welding spatter	NPQH	PUN-V0-C	Ideal for applications involving welding spatter. Reliable thanks to a tubing wall thickness of 2 mm for all diameters.
	QS-V0	PAN-V0	Safe even in the immediate vicinity of welding spatter thanks to double-walled tubing with special fitting.
Battery production	NPQE-F1A <sup>1)</sup>	PUN-H	Suitable in battery production areas.

1) F1A = Free of copper, zinc and nickel

## Key features

### Push-in fittings – Product range

QSM, mini series

Datasheets → Internet: qsm



Compact push-in fittings for maximum component density in confined spaces. For pneumatic applications with a temperature range up to 80 °C and a pressure range up to 14 bar. Tubing O.D. of 2, 3, 4 and 6 mm with connecting threads M3, M5, M6, M7, R1/8 and G1/8.

QS, standard series

Datasheets → Internet: qs



Wide selection of push-in fittings for pneumatic applications with a temperature range up to 80 °C and a pressure range up to 14 bar. Tubing O.D. of 4, 6, 8, 10, 12, 16 and 22 mm with connecting thread R1/8 ... R1/2 and G1/8 ... G3/4.

CRQS, stainless steel

Datasheets → Internet: crqs



Stainless steel push-in fitting. Maximum corrosion resistance CRC 4 and chemical resistance with approval for use in the food and packaging industry. For pneumatic applications with a temperature range up to 120 °C and a pressure range up to 10 bar. Tubing O.D. of 4, 6, 8, 10, 12 and 16 mm with connecting thread M5 and R1/8 ... R1/2.

QS-V0, resistant to welding spatter

Datasheets → Internet: qs-v0



Flame-retardant push-in fitting for use in all areas where there is a risk of fire, for example welding systems in the automotive industry, and in the construction industry. For pneumatic applications with a temperature range up to 60 °C and a pressure range up to 10 bar. Tubing O.D. of 4, 6, 8, 10 and 12 mm with connecting thread R1/8 ... R1/2 and G1/8 ... G1/2.

NPQH

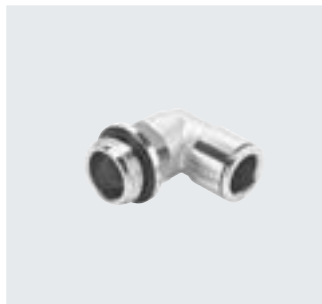
Datasheets → Internet: npqh



All metal push-in fitting made of chemically nickel-plated brass. High corrosion resistance CRC3 and chemical resistance. For pneumatic applications with a temperature range up to 150 °C and a pressure range up to 20 bar. Tubing O.D. of 4, 6, 8, 10, 12 and 14 mm with connecting thread M5, M7 and G1/8 ... G1/2.

NPQM

Datasheets → Internet: npqm



Attractively priced metal push-in fitting for pneumatic applications with a temperature range up to 70 °C and a pressure range up to 16 bar. Tubing O.D. of 3, 4, 6, 8, 10, 12 and 14 mm with connecting thread M5, M7 and G1/8... G1/2.

NPQP

Datasheets → Internet: npqp



Polypropylene fitting for use in applications with extreme media influences. For pneumatic applications with a temperature range up to 60 °C and a pressure range up to 10 bar. Tubing O.D. of 4, 6, 8, 10 and 12 mm with connecting thread R1/8 ... R1/2.

NPQR, stainless steel

Datasheets → Internet: npqr



Stainless steel push-in fitting. Maximum corrosion resistance CRC 4 and chemical resistance. For pneumatic applications with a temperature range up to 150 °C and a pressure range up to 16 bar. Tubing O.D. of 4, 6, 8, 10 and 12 mm with connecting thread M5, M7 and G1/8 ... G1/2.

## Key features

### Functional push-in fittings – Product range

QSK,  
push-in fitting, self-sealing

Datasheets → Internet: qsk



Push-in fitting that blocks the air flow after the tubing is disconnected. For pneumatic applications with a temperature range up to 60 °C and a pressure range up to 14 bar.  
Tubing O.D. of 4, 6, 8, 10 and 12 mm with connecting thread M5, R1/8 ... R1/2 and G1/8 ... G1/2.

QSR,  
push-in fitting, rotatable

Datasheets → Internet: qsr



Push-in fitting with swivel joint, rotatable by 360°. The ball bearing enables rotating movements in the application up to max. 500 rpm. For pneumatic applications with a temperature range up to 60 °C and a pressure range up to 14 bar.  
Tubing O.D. of 4, 6, 8, 10 and 12 mm with connecting thread M5, R1/8 ... R1/2 and G1/8 ... G1/2.

### Quick connectors – Product range

NPCK

Datasheets → Internet: npck



Stainless steel fitting for use in areas subject to intensive cleaning. Maximum corrosion resistance CRC 4. For pneumatic applications with a temperature range up to 120 °C and a pressure range up to 12 bar.  
Tubing O.D. of 6 mm with connecting thread G1/8.

### Click fittings – Product range

NPKA

Datasheets → Internet: npka



Polymer fitting for easy installation with one hand. Hydrolysis-resistant, FDA-compliant and easy to clean. For pneumatic applications with a temperature range up to 60 °C and a pressure range up to 10 bar.  
Tubing O.D. of 6 mm with connecting thread G1/8.

## Technical data

### General technical data

Size	Standard
Design	Push-pull principle

### Operating and environmental conditions

Temperature-dependent operating pressure	-0.95 ... +10
Operating medium	Compressed air to ISO 8573-1:2010 [7:-:-]
Note on the operating/pilot medium	Lubricated operation possible
Ambient temperature	-20 ... +60
	Extended temperature range on request
Corrosion resistance class CRC <sup>1)</sup>	4 - Particularly high corrosion stress
Food-safe <sup>2)</sup>	See supplementary material information

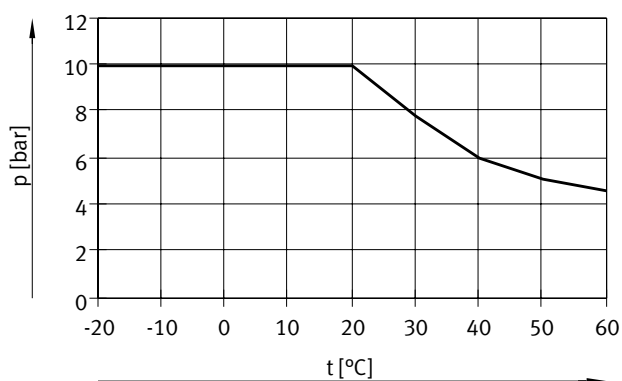
1) More information: [www.festo.com/x/topic/crc](http://www.festo.com/x/topic/crc)

2) More information: [www.festo.com/catalogue/npqp](http://www.festo.com/catalogue/npqp) → Support/Downloads.

### Materials

Type	NPQP	NPQP-H
Housing	PP	
Tube clamping segment	High-alloy stainless steel	
Nut	-	High-alloy stainless steel
Note on materials	RoHS-compliant	
LABS (PWIS) conformity	VDMA24364 zone III	

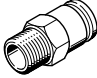


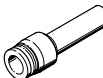
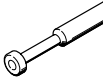
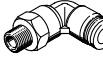
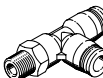

### Operating pressure p as a function of temperature t



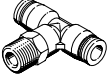


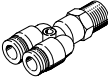
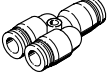
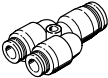
#### Note

Leaks can occur with large temperature fluctuations due to the high expansion coefficient of polypropylene in combination with the R thread. To avoid this, it is recommended to seal the thread with Loctite® 55 thread sealing tape.

Product range overview

Design	Design	Type	Connection D1			Connection D2		→ Page
			R thread	Tubing O.D.	Push-in sleeve ø	Tubing O.D.	Push-in sleeve ø	
Straight shape	<b>Push-in fitting – Male thread with external hex</b>							
		NPQP-D	R1/8	–	–	4, 6, 8	–	8
			R1/4			4, 6, 8, 10		
			R3/8			10, 12		
			R1/2			12		
	<b>Push-in connector</b>							
		NPQP-D	–	–	–	4	–	9
			6			6		
			8			8		
			10			10		
12			12					
	NPQP-D Reducing	–	–	–	4	–	9	
		6			6			
		8			8			
		10			10			
		12			10			
<b>Push-in bulkhead connector</b>								
	NPQP-H	–	–	–	4	–	10	
		6			6			
		8			8			
		10			10			
		12			12			
<b>Push-in connector with push-in sleeve</b>								
	NPQP-D...S	–	–	–	–	6, 8	10	
		4			8, 10			
		6			10, 12			
		8			12			
		10						
<b>Blanking plug</b>								
	NPQP-P	–	–	–	4	–	11	
		6						
		8						
		10						
		12						
L-shape	<b>Push-in L-fitting – Male thread with external hex</b>							
		NPQP-L	R1/8	–	–	4, 6, 8	–	12
			R1/4			4, 6, 8, 10		
			R3/8			10, 12		
			R1/2			12		
	<b>Push-in L-fitting – Male thread with external hex</b>							
		NPQP-LQ	R1/8	–	–	4, 6, 8	–	12
			R1/4			4, 6, 8, 10		
			R3/8			10, 12		
			R1/2			12		
<b>Push-in L-connector</b>								
	NPQP-L	–	–	–	4	–	13	
		6			6			
		8			8			
		10			10			
		12			12			

Product range overview

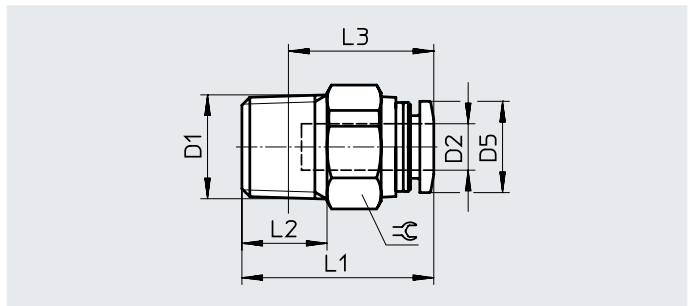
Design	Design	Type	Connection D1			Connection D2		→ Page
			R thread	Tubing O.D.	Push-in sleeve ø	Tubing O.D.	Push-in sleeve ø	
T-shape	<b>Push-in T-fitting – Male thread with external hex</b>							
		NPQP-T	R1/8	–	–	4, 6, 8	–	14
			R1/4			4, 6, 8, 10		
			R3/8			10, 12		
			R1/2			12		
	<b>Push-in T-connector</b>							
		NPQP-T	–	–	–	4	–	15
			6			6		
			8			8		
			10			10		
12			12					
	NPQP-T Reducing	–	–	–	4	–	15	
		6			6			
		8			8			
		10			10			
		12			10			
Y-shape	<b>Push-in Y-fitting – Male thread with external hex</b>							
		NPQP-Y	R1/8	–	–	4, 6, 8	–	16
			R1/4			4, 6, 8, 10		
			R3/8			10, 12		
			R1/2			12		
	<b>Push-in Y-connector</b>							
		NPQP-Y	–	–	–	4	–	17
			6			6		
			8			8		
			10			10		
12			12					
	NPQP-Y Reducing	–	–	–	4	–	17	
		6			6			
		8			8			
		10			10			
		12			10			

## Datasheet

### Push-in fitting NPQP-D

Male thread  
with external hex

Design:  
Straight shape



### Dimensions and ordering data

Connection	Nominal width [mm]	Tubing O.D.	D5	L1	L2	L3	⌀	Weight/piece [g]	Part no.	Type	PU <sup>1)</sup>
D1		D2									
R1/8	2.1	4	9.9	21.1	8	17.1	12	2.5	133041	NPQP-D-R18-Q4-FD-P10	10
	3.4	6	11.8	22.8	8	18.8	14	3.0	133043	NPQP-D-R18-Q6-FD-P10	10
	5.3	8	13.8	27.9	8	23.9	17	4.5	133045	NPQP-D-R18-Q8-FD-P10	10
R1/4	2.1	4	9.9	22.3	11	16.3	14	3.5	133042	NPQP-D-R14-Q4-FD-P10	10
	3.4	6	11.8	24.8	11	18.8	14	3.5	133044	NPQP-D-R14-Q6-FD-P10	10
	5.3	8	13.8	26.6	11	20.6	17	4.5	133046	NPQP-D-R14-Q8-FD-P10	10
	6.2	10	16.8	32.6	11	26.6	19	7.0	133047	NPQP-D-R14-Q10-FD-P10	10
R3/8	6.2	10	16.8	33.6	12	27.3	19	8.0	133048	NPQP-D-R38-Q10-FD-P10	10
	7.2	12	19.8	37.6	12	31.3	22	12.0	133049	NPQP-D-R38-Q12-FD-P10	10
R1/2	7.2	12	19.8	34.1	15	25.9	22	12.0	133050	NPQP-D-R12-Q12-FD	1

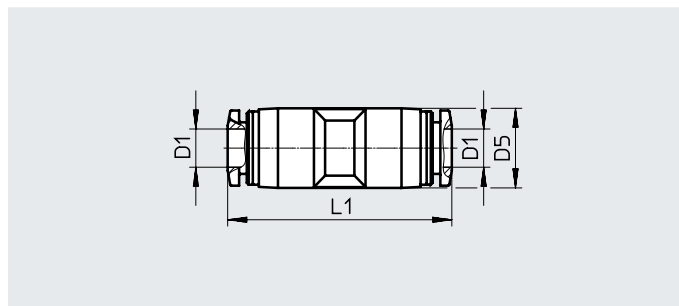
1) Packaging unit.



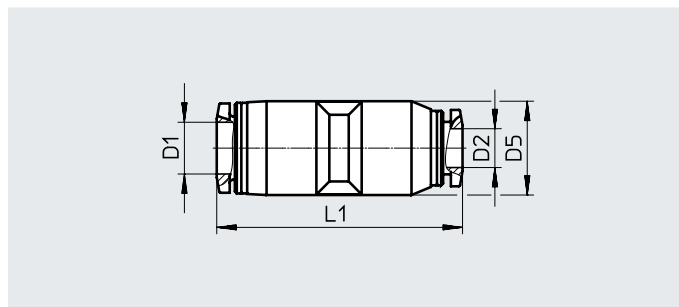
# Datasheet

## Push-in connector NPQD-D

Design:  
Straight shape



Reducing



### Dimensions and ordering data

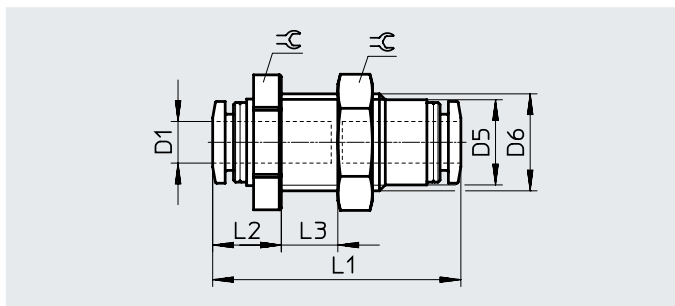
Tubing O.D. D1	Nominal width [mm]	Tubing O.D. D2	D5 ∅	L1	Weight/piece [g]	Part no.	Type	PU <sup>1)</sup>
4	2.8	–	10.0	31.0	4.0	133091	NPQP-D-Q4-E-FD-P10	10
6	4.3	–	12.5	35.2	5.5	133092	NPQP-D-Q6-E-FD-P10	10
8	7.0	–	14.5	37.8	8.0	133093	NPQP-D-Q8-E-FD-P10	10
10	9.0	–	17.5	41.8	13.0	133094	NPQP-D-Q10-E-FD-P10	10
12	11.0	–	21.0	48.2	19.0	133095	NPQP-D-Q12-E-FD-P10	10
<b>Reducing</b>								
6	2.8	4	12.5	34.6	5.5	133096	NPQP-D-Q6-Q4-FD-P10	10
8	4.3	6	14.5	38.0	7.0	133097	NPQP-D-Q8-Q6-FD-P10	10
10	6.5	8	17.5	41.3	12.0	133098	NPQP-D-Q10-Q8-FD-P10	10
12	9.0	10	21.0	48.0	18.0	133099	NPQP-D-Q12-Q10-FD-P10	10

1) Packaging unit.

## Datasheet

### Push-in bulkhead connector NPQP-H

Design:  
Straight shape



#### Dimensions and ordering data

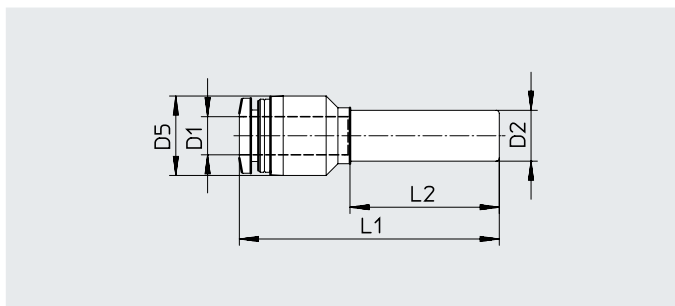
Tubing O.D. D1	Nominal width [mm]	D5 ø	D6	L1	L2	L3 max.	⌀	Weight/piece [g]	Part no.	Type	PU <sup>1)</sup>
4	2.3	10	M12x1.5	31.6	9.3	6.5	14	7.2	133100	NPQP-H-Q4-E-FD	1
6	3.7	12.3	M14x1.5	35.8	9.9	9.5	17	10.2	133101	NPQP-H-Q6-E-FD	1
8	4.9	14.2	M16x1.5	38.4	10.7	9	19	14.3	133102	NPQP-H-Q8-E-FD	1
10	7.1	17.5	M20x2	43.4	13.2	12	24	24.4	133103	NPQP-H-Q10-E-FD	1
12	7.8	21	M24x2	48.8	13.4	14	27	30.4	133104	NPQP-H-Q12-E-FD	1

1) Packaging unit.

### Push-in connector NPQP-D

With push-in sleeve

Design:  
Straight shape



#### Dimensions and ordering data

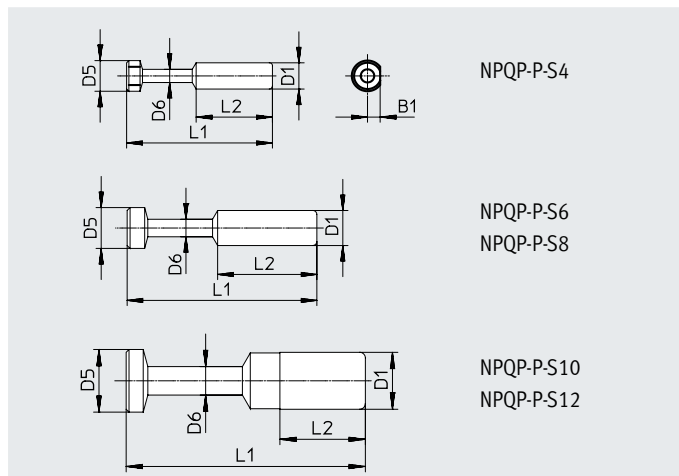
Tubing O.D. D1	Nominal width [mm]	Push-in sleeve ø D2	D5 ø	L1	L2	Weight/piece [g]	Part no.	Type	PU <sup>1)</sup>
4	2.5	6	10.0	37.8	22.3	2.4	133133	NPQP-D-Q4-S6-FD-P10	10
	2.4	8	12.5	40.3	23.3	3.0	133134	NPQP-D-Q4-S8-FD-P10	10
6	3.8	8	12.5	40.9	23.3	3.2	133135	NPQP-D-Q6-S8-FD-P10	10
	3.8	10	12.5	43.9	28.3	3.6	133136	NPQP-D-Q6-S10-FD-P10	10
8	5.4	10	14.5	43.7	24.8	4.7	133137	NPQP-D-Q8-S10-FD-P10	10
	5.4	12	14.5	49.7	33.5	5.4	133138	NPQP-D-Q8-S12-FD-P10	10
10	6.3	12	17.5	50.2	28.8	7.9	133139	NPQP-D-Q10-S12-FD-P10	10

1) Packaging unit.

# Datasheet

## Blanking plug NPQP-P

Design:  
Blanking plug



Dimensions and ordering data									
Push-in sleeve $\varnothing$	B1	D5 $\varnothing$	D6 $\varnothing$	L1	L2	Weight/piece [g]	Part no.	Type	PU <sup>1)</sup>
D1									
4	2.1	5	3	27.5	15.0	0.5	133128	NPQP-P-S4-FD-P10	10
6	–	7	3	32.5	17.0	0.5	133129	NPQP-P-S6-FD-P10	10
8	–	9	4	36.5	18.1	1.0	133130	NPQP-P-S8-FD-P10	10
10	–	11	5	42.0	20.2	2.0	133131	NPQP-P-S10-FD-P10	10
12	–	13	6	44.0	23.4	2.5	133132	NPQP-P-S12-FD-P10	10

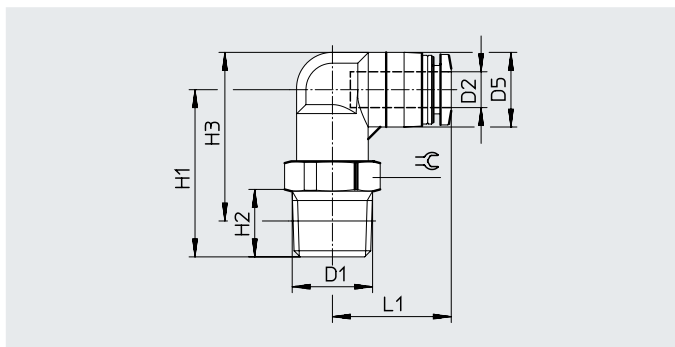
1) Packaging unit.

## Datasheet

### Push-in L-fitting NPQP-L

Male thread  
with external hex

Design:  
L-shape



#### Dimensions and ordering data

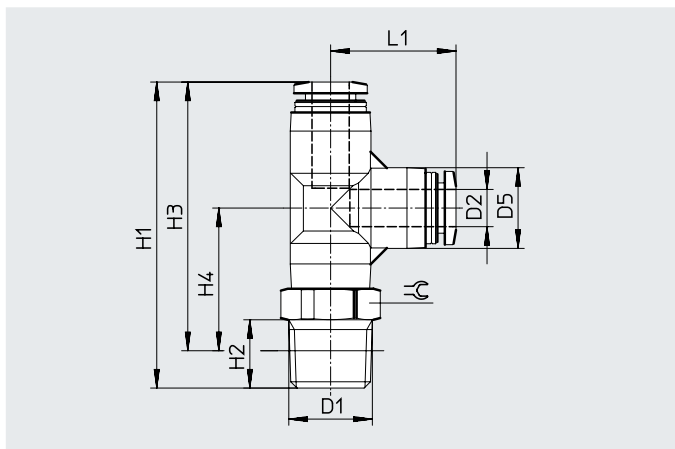
Connection	Nominal width [mm]	Tubing O.D.	D5	H1	H2	H3	L1	⌀	Weight/piece [g]	Part no.	Type	PU <sup>1)</sup>
D1	D2											
R1/8	2.1	4	10.0	23.3	8	24.3	18.1	10	4.0	133051	NPQP-L-R18-Q4-FD-P10	10
	3.3	6	12.5	25.0	8	27.3	19.9	12	5.0	133053	NPQP-L-R18-Q6-FD-P10	10
	4.7	8	14.5	28.0	8	31.3	22.7	14	7.0	133055	NPQP-L-R18-Q8-FD-P10	10
R1/4	2.1	4	10.0	26.3	11	25.3	18.1	14	4.5	133052	NPQP-L-R14-Q4-FD-P10	10
	3.3	6	12.5	28.0	11	28.2	19.9	14	5.5	133054	NPQP-L-R14-Q6-FD-P10	10
	4.7	8	14.5	31.0	11	32.2	22.7	14	7.5	133056	NPQP-L-R14-Q8-FD-P10	10
	5.7	10	17.5	36.0	11	38.7	26.4	17	12.0	133057	NPQP-L-R14-Q10-FD-P10	10
R3/8	5.7	10	17.5	37.0	12	39.4	26.4	17	13.0	133058	NPQP-L-R38-Q10-FD-P10	10
	6.9	12	21.0	39.0	12	43.2	29.6	22	18.0	133059	NPQP-L-R38-Q12-FD-P10	10
R1/2	6.9	12	21.0	42.0	15	44.3	29.6	22	19.0	133060	NPQP-L-R12-Q12-FD	1

1) Packaging unit.

### Push-in L-fitting NPQP-LQ

Male thread  
with external hex

Design:  
L-shape, additional push-in connector,  
lengthwise



#### Dimensions and ordering data

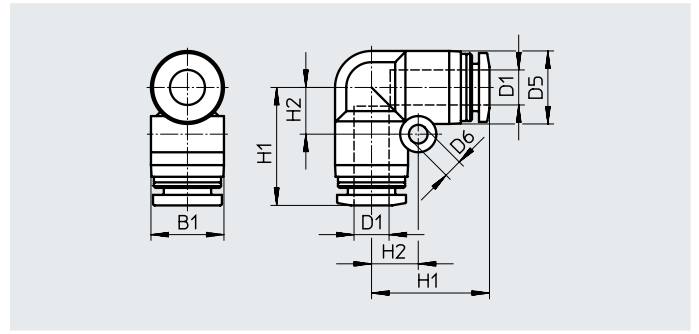
Connection	Nominal width [mm]	Tubing O.D.	D5	H1	H2	H3	H4	L1	⌀	Weight/piece [g]	Part no.	Type	PU <sup>1)</sup>
D1	D2												
R1/8	2.0	4	10.0	40.2	8	36.2	19.2	17.0	10	6.0	133061	NPQP-LQ-R18-Q4-FD-P10	10
	3.3	6	13.0	46.3	8	42.3	22.0	20.2	12	8.0	133063	NPQP-LQ-R18-Q6-FD-P10	10
	4.8	8	15.0	50.4	8	46.4	24.2	22.2	14	11.0	133065	NPQP-LQ-R18-Q8-FD-P10	10
R1/4	2.0	4	10.0	43.2	11	37.2	20.2	17.0	14	6.5	133062	NPQP-LQ-R14-Q4-FD-P10	10
	3.3	6	13.0	49.3	11	43.3	23.0	20.2	14	8.5	133064	NPQP-LQ-R14-Q6-FD-P10	10
	4.8	8	15.0	53.4	11	47.4	25.2	22.2	14	12.0	133066	NPQP-LQ-R14-Q8-FD-P10	10
	5.8	10	17.5	61.4	11	55.4	30.0	25.4	17	18.0	133067	NPQP-LQ-R14-Q10-FD-P10	10
R3/8	5.8	10	17.5	62.4	12	56.1	30.7	25.4	17	19.0	133068	NPQP-LQ-R38-Q10-FD-P10	10
	6.9	12	21.0	67.8	12	61.5	32.9	28.4	22	26.0	133069	NPQP-LQ-R38-Q12-FD-P10	10
R1/2	6.9	12	21.0	70.8	15	62.6	34.0	28.4	22	28.0	133070	NPQP-LQ-R12-Q12-FD	1

1) Packaging unit.

# Datasheet

## Push-in L-connector NPQP-L

Design:  
L-shape



### Dimensions and ordering data

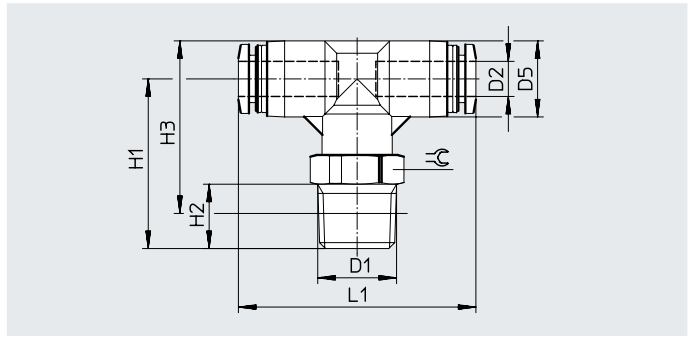
Tubing O.D. D1	Nominal width [mm]	Tubing O.D. D1	D5 ∅	D6	B1	H1	H2	Weight/piece [g]	Part no.	Type	PU <sup>1)</sup>
4	2.8	4	10.0	3.2	10.0	17.0	6.5	4.5	133105	NPQP-L-Q4-E-FD-P10	10
6	5.0	6	12.5	3.2	12.5	20.2	8.0	6.0	133106	NPQP-L-Q6-E-FD-P10	10
8	7.2	8	15.0	4.2	15.6	22.4	10.0	9.0	133107	NPQP-L-Q8-E-FD-P10	10
10	8.3	10	17.5	4.2	18.2	26.4	12.0	14.0	133108	NPQP-L-Q10-E-FD-P10	10
12	10.0	12	21.0	4.2	21.7	29.6	14.0	20.0	133109	NPQP-L-Q12-E-FD-P10	10

1) Packaging unit.

## Datasheet

### Push-in T-fitting NPQP-T

Design:  
T-shape



#### Dimensions and ordering data

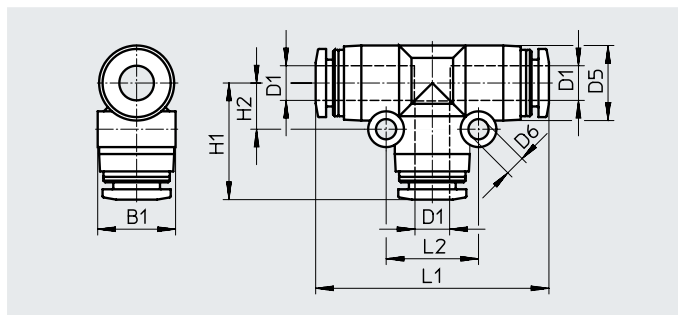
Connection	Nominal width [mm]	Tubing O.D.	D5	H1	H2	H3	L1	⌀	Weight/piece [g]	Part no.	Type	PU <sup>1)</sup>
D1	D2											
R1/8	2.0	4	10.0	23.2	8	24.2	34.0	10	6.0	133071	NPQP-T-R18-Q4-FD-P10	10
	3.2	6	13.0	26.0	8	28.5	40.6	12	8.0	133073	NPQP-T-R18-Q6-FD-P10	10
	4.7	8	15.0	26.3	8	29.8	44.8	14	11.0	133075	NPQP-T-R18-Q8-FD-P10	10
R1/4	2.0	4	10.0	26.2	11	25.2	34.0	14	6.5	133072	NPQP-T-R14-Q4-FD-P10	10
	3.2	6	13.0	29.0	11	29.5	40.6	14	8.5	133074	NPQP-T-R14-Q6-FD-P10	10
	4.7	8	15.0	29.3	11	30.8	44.8	14	12.0	133076	NPQP-T-R14-Q8-FD-P10	10
	5.8	10	17.5	36.0	11	38.7	50.8	17	18.0	133077	NPQP-T-R14-Q10-FD-P10	10
R3/8	5.8	10	17.5	37.0	12	39.4	50.8	17	19.0	133078	NPQP-T-R38-Q10-FD-P10	10
	6.9	12	21.0	39.0	12	43.2	57.2	22	26.0	133079	NPQP-T-R38-Q12-FD-P10	10
R1/2	6.9	12	21.0	42.0	15	44.3	57.2	22	28.0	133080	NPQP-T-R12-Q12-FD	1

1) Packaging unit.

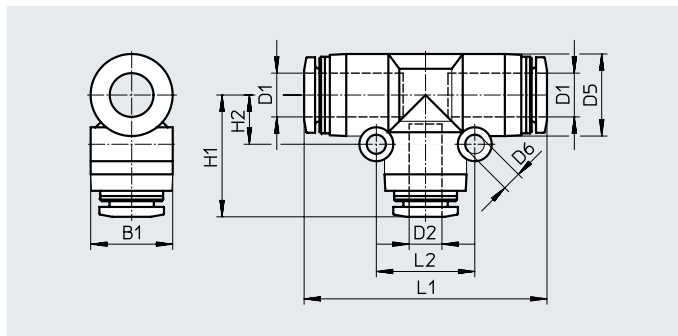
# Datasheet

## Push-in T-connector NPQP-T

Design:  
T-shape



Reducing



### Dimensions and ordering data

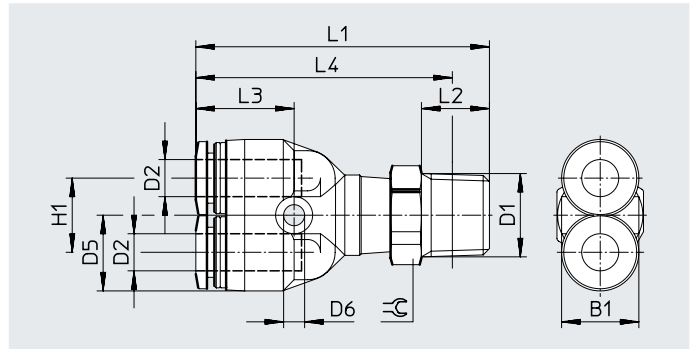
Tubing O.D. D1	Nominal width [mm]	Tubing O.D. D2	D5 ∅	D6	B1	H1	H2	L1	L2	Weight/piece [g]	Part no.	Type	PU <sup>1)</sup>
4	2.8	–	10.0	3.2	10.4	17.3	6.5	34.6	13.0	6.5	133110	NPQP-T-Q4-E-FD-P10	10
6	4.8	–	13.0	3.2	13.5	20.2	8.0	40.4	16.0	9.0	133111	NPQP-T-Q6-E-FD-P10	10
8	6.2	–	15.0	3.2	15.6	22.2	9.0	44.4	18.0	13.0	133112	NPQP-T-Q8-E-FD-P10	10
10	8.1	–	17.5	4.2	18.2	25.4	12.0	50.8	24.0	21.0	133113	NPQP-T-Q10-E-FD-P10	10
12	10.0	–	21.0	4.2	21.7	28.4	14.0	57.2	28.0	30.0	133114	NPQP-T-Q12-E-FD-P10	10
<b>Reducing</b>													
6	2.3	4	13.0	3.2	13.5	19.6	8.0	40.4	16.0	9.0	133115	NPQP-T-Q6-Q4-FD-P10	10
8	3.6	6	15.0	3.2	15.6	22.4	9.0	44.4	18.0	12.0	133116	NPQP-T-Q8-Q6-FD-P10	10
10	5.0	8	17.5	4.2	18.2	24.9	12.0	50.8	24.0	19.5	133117	NPQP-T-Q10-Q8-FD-P10	10
12	6.4	10	21.0	4.2	21.7	28.2	14.0	57.2	28.0	28.0	133118	NPQP-T-Q12-Q10-FD-P10	10

1) Packaging unit.

## Datasheet

### Push-in Y-fitting NPQP-Y

Design:  
Y-shape



#### Dimensions and ordering data

Connection	Nominal width [mm]	Tubing O.D.	D5	D6	B1	H1	L1	L2	L3	L4	⌀	Weight/ piece [g]	Part no.	Type	PU <sup>1)</sup>
D1	D2	D2													
R1/8	2.0	4	10.0	3.2	10.4	11	40.7	8	14.2	36.7	10	6.5	133081	NPQP-Y-R18-Q4-FD-P10	10
	2.8	6	12.5	3.4	13.5	12	44.5	8	15.9	40.5	12	8.0	133083	NPQP-Y-R18-Q6-FD-P10	10
	4.5	8	14.5	3.4	14.5	14	48.7	8	17.2	44.7	14	12.0	133085	NPQP-Y-R18-Q8-FD-P10	10
R1/4	2.0	4	10.0	3.2	10.4	11	43.7	11	14.2	37.7	14	7.0	133082	NPQP-Y-R14-Q4-FD-P10	10
	2.8	6	12.5	3.4	13.5	12	47.5	11	15.9	41.5	14	8.5	133084	NPQP-Y-R14-Q6-FD-P10	10
	4.5	8	14.5	3.4	14.5	14	51.7	11	17.2	45.7	14	12.0	133086	NPQP-Y-R14-Q8-FD-P10	10
	5.3	10	18.0	4.5	18.0	18	58.5	11	19.7	52.5	17	20.0	133087	NPQP-Y-R14-Q10-FD-P10	10
R3/8	5.3	10	18.0	4.5	18.0	18	59.5	12	19.7	53.2	17	21.0	133088	NPQP-Y-R38-Q10-FD-P10	10
	6.2	12	21.0	4.2	21.0	20	64.7	12	22.4	58.4	22	28.0	133089	NPQP-Y-R38-Q12-FD-P10	10
R1/2	6.2	12	21.0	4.2	21.0	20	67.7	15	22.4	59.5	22	30.0	133090	NPQP-Y-R12-Q12-FD	1

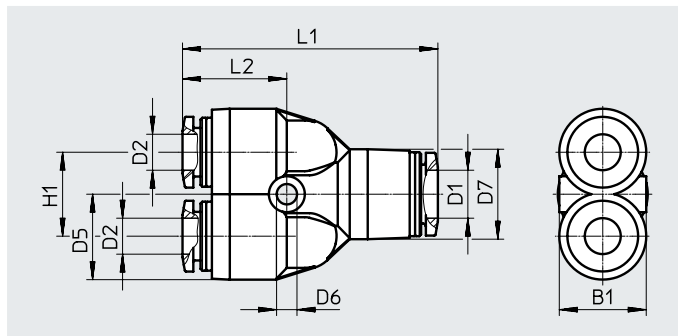
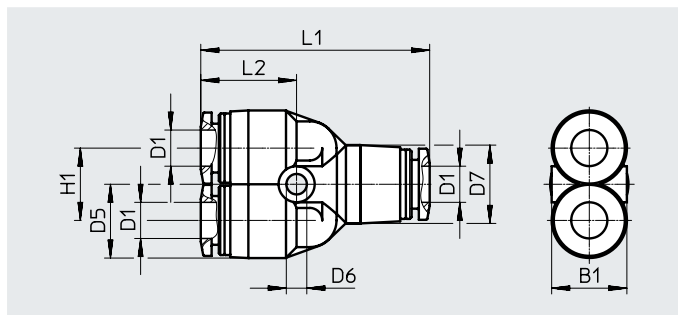
1) Packaging unit.



# Datasheet

## Push-in Y-connector NPQP-Y

Design:  
Y-shape



### Dimensions and ordering data

Tubing O.D. D1	Nominal width [mm]	Tubing O.D. D2	D5 ∅	D6	D7	B1	H1	L1	L2	Weight/piece [g]	Part no.	Type	PJ <sup>1)</sup>
4	2.6	–	10.0	3.2	10.0	10.4	11.0	33.0	14.2	6.5	133119	NPQP-Y-Q4-E-FD-P10	10
6	4.3	–	12.5	3.4	13.0	13.5	12.0	38.0	15.9	9.0	133120	NPQP-Y-Q6-E-FD-P10	10
8	5.7	–	14.5	3.4	15.0	14.5	14.0	42.4	17.2	13.0	133121	NPQP-Y-Q8-E-FD-P10	10
10	6.7	–	17.5	4.2	17.5	18.2	18.0	48.8	19.7	22.0	133122	NPQP-Y-Q10-E-FD-P10	10
12	8.0	–	21.0	4.2	21.0	21.7	20.0	55.2	22.4	31.0	133123	NPQP-Y-Q12-E-FD-P10	10
<b>Reducing</b>													
6	3.7	4	12.5	3.4	13.0	13.5	12.0	37.4	15.3	8.5	133124	NPQP-Y-Q6-Q4-FD-P10	10
8	5.0	6	12.5	3.4	14.5	15.1	14.0	42.6	17.4	11.0	133125	NPQP-Y-Q8-Q6-FD-P10	10
10	6.5	8	14.5	4.5	17.5	18.2	18.0	48.3	19.2	16.0	133126	NPQP-Y-Q10-Q8-FD-P10	10
12	7.8	10	17.5	4.5	21.0	21.7	20.0	55.0	22.2	25.0	133127	NPQP-Y-Q12-Q10-FD-P10	10

1) Packaging unit.