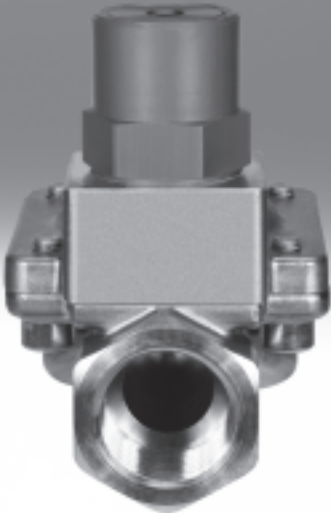




Pneumatic valves VLX



# Pneumatic valves VLX

Product range overview and type codes

## General information

-  - G $\frac{1}{4}$  ... G1
-  - Standard nominal flow rate  
2,400 ... 14,000 l/min


## Design

- Poppet valve, indirectly actuated with diaphragm control



Note

Attention: If the pressure is switched on, the valve will open briefly.

Design	Type	Process valve connection	Nominal size DN	→ Page/Internet
	VLX-2-...	G $\frac{1}{4}$	13	3
		G $\frac{3}{8}$	13	
		G $\frac{1}{2}$	13	
		G $\frac{3}{4}$	20	
		G1	25	

VLX - 2 -  $\frac{1}{4}$  - MS

### Type

VLX Pneumatic valve

### Connection

G14	Thread G $\frac{1}{4}$
G38	Thread G $\frac{3}{8}$
G12	Thread G $\frac{1}{2}$
G34	Thread G $\frac{3}{4}$
G1	Thread G1

### Material

MS Brass

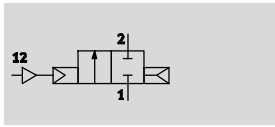
### Design


- G thread


# Pneumatic valves VLX

## Technical data

### Function



-  - Standard nominal flow rate  
2,400 ... 14,000 l/min

-  - G $\frac{1}{4}$  ... G1

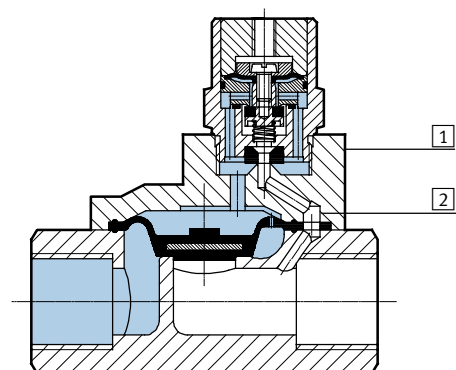


General technical data					
	VLX-2-1/4-MS	VLX-2-3/8-MS	VLX-2-1/2-MS	VLX-2-3/4-MS	VLX-2-1-MS
Process valve connection	G $\frac{1}{4}$	G $\frac{3}{8}$	G $\frac{1}{2}$	G $\frac{3}{4}$	G1
Nominal size DN	13	13	13	20	25
Auxiliary pilot air port 12	M5				
Valve function	2/2-way, single pilot, closed				
Design	Diaphragm valve				
Type of mounting	In-line installation				
Actuation type	Pneumatic				
Type of control	Piloted				
Reset method	Pneumatic spring				
Mounting position	Any				
Sealing principle	Soft				
Direction of flow	Non-reversible				
Exhaust function	No flow control				
Product weight [g]	490	470	450	1,135	1,010

Operating and environmental conditions					
	VLX-2-1/4-MS	VLX-2-3/8-MS	VLX-2-1/2-MS	VLX-2-3/4-MS	VLX-2-1-MS
Standard nominal flow rate [l/min]	2,400	3,800	4,000	10,500	14,000
Operating pressure [bar]	1 ... 10				
Medium	Filtered compressed air, degree of filtration 200 $\mu$ m				
Pilot medium	Compressed air to ISO 8573-1:2010 [7:-:-]				
Ambient temperature [°C]	-10 ... 60				
Temperature of medium [°C]	-10 ... 80				

## Materials

### Sectional view



Pneumatic valves	
1	Housing Brass
2	Screws High-alloy stainless steel
-	Material number, screw 1.4301

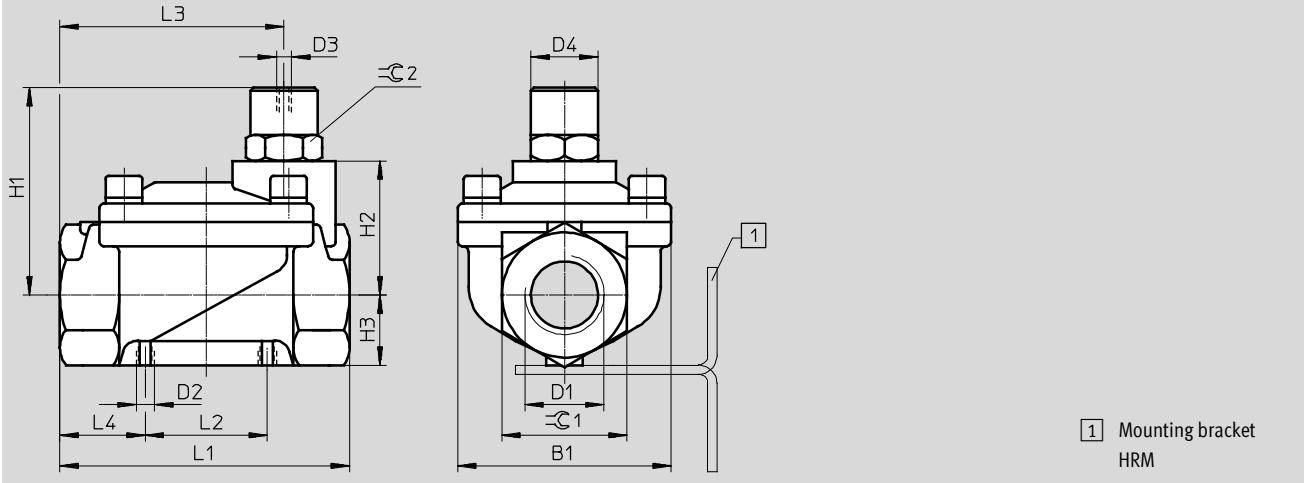
# Pneumatic valves VLX

Technical data

FESTO

## Dimensions

Download CAD data → [www.festo.com](http://www.festo.com)



Type	B1	D1	D2	D3	D4 Ø	H1	H2	H3	L1	L2	L3	L4	⌀ 1	⌀ 2
VLX-2-1/4-MS	48	G1/4	M4	M5	22	56.5	32.5	15.5	67	25	47	21	27	22
VLX-2-3/8-MS	48	G3/8	M4	M5	22	56.5	32.5	15.5	67	25	47	21	27	22
VLX-2-1/2-MS	48	G1/2	M4	M5	22	56.5	32.5	15.5	67	25	47	21	27	22
VLX-2-3/4-MS	70	G3/4	M6	M5	22	68	44	23	95	40	73.5	28	41	22
VLX-2-1-MS	70	G1	M6	M5	22	68	44	23	95	40	73.5	28	41	22

## Ordering data

	Process valve connection	Part No.	Type
	G1/4	34432	VLX-2-1/4-MS
	G3/8	34433	VLX-2-3/8-MS
	G1/2	34434	VLX-2-1/2-MS
	G3/4	34435	VLX-2-3/4-MS
	G1	34436	VLX-2-1-MS

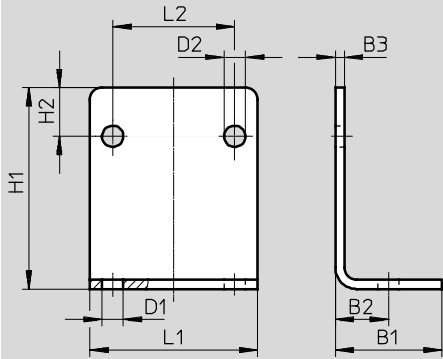
# Pneumatic valves VLX

Accessories

FESTO

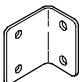
## Dimensions

Download CAD data → [www.festo.com](http://www.festo.com)



Type	B1	B2	B3	D1 Ø	D2 Ø	H1	H2	L1	L2 ±0.1
HRM-1	25	12.5	2	6	5	37	10	40	25
HRM-2	35	17.5	3	7	7	66	16	55	40

## Ordering data

	Mounting bracket	Part No.	Type
	For type VLX-2-1/4, VLX-2-3/8, VLX-2-1/2	<b>9769</b>	<b>HRM-1</b>
	For type VLX-2-3/4, VLX-2-1	<b>9770</b>	<b>HRM-2</b>