

简易浮动接头

FK Series

●适用缸径 : $\phi 6 \cdot \phi 100$



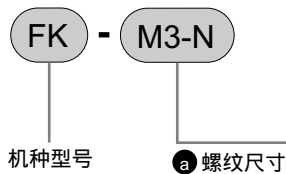
规格

| 型号 | | 允许负荷 (N) | 允许偏心量 (mm) | 轴向的松动量 (mm) |
|----------|--------------|-------------|---------------|----------------|
| 外螺纹 | 内螺纹 | | | |
| FK-M3-N | FK-M3 | 63 | ± 0.3 | 0.1 ~ 0.3 |
| FK-M4-N | FK-M4 | 110 | | |
| FK-M5-N | FK-M5 | 179 | | |
| FK-M6-N | FK-M6 | 253 | | |
| FK-M8-N | FK-M8 × 1.0 | 462 | | |
| — | FK-M8 × 1.25 | 462 | | |
| FK-M10-N | FK-M10 | 734 | | |
| — | FK-M12 | 1069 | | |
| — | FK-M14 | 1466 | | |
| FK-M16-N | FK-M16 | 2003 | | |
| — | FK-M18 | 2448 | | |
| FK-M20-N | — | 3130 | | |
| — | FK-M22 | 3896 | | |
| — | FK-M26 | 6219 | | |

注1: 允许负荷表示静负荷。

型号表示方法

简易浮动接头



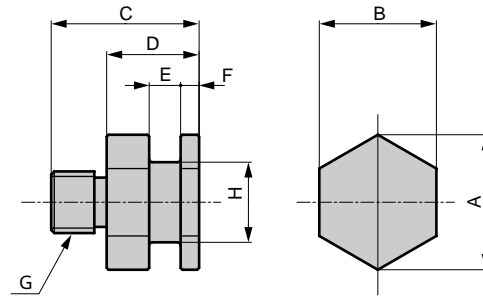
| 符号 | 内容 | |
|---------------|------------|------------------|
| a 螺纹尺寸 | | |
| M3-N | M3 × 0.5 | 外 螺 纹 型 |
| M4-N | M4 × 0.7 | |
| M5-N | M5 × 0.8 | |
| M6-N | M6 × 1.0 | |
| M8-N | M8 × 1.25 | |
| M10-N | M10 × 1.5 | |
| M16-N | M16 × 2.0 | |
| M20-N | M20 × 2.5 | |
| M3 | M3 × 0.5 | 内 螺 纹 型 |
| M4 | M4 × 0.7 | |
| M5 | M5 × 0.8 | |
| M6 | M6 × 1.0 | |
| M8 × 1.0 | M8 × 1.0 | |
| M8 × 1.25 | M8 × 1.25 | |
| M10 | M10 × 1.25 | |
| M12 | M12 × 1.5 | |
| M14 | M14 × 1.5 | |
| M16 | M16 × 1.5 | |
| M18 | M18 × 1.5 | |
| M22 | M22 × 1.5 | |
| M26 | M26 × 1.5 | |

外形尺寸图



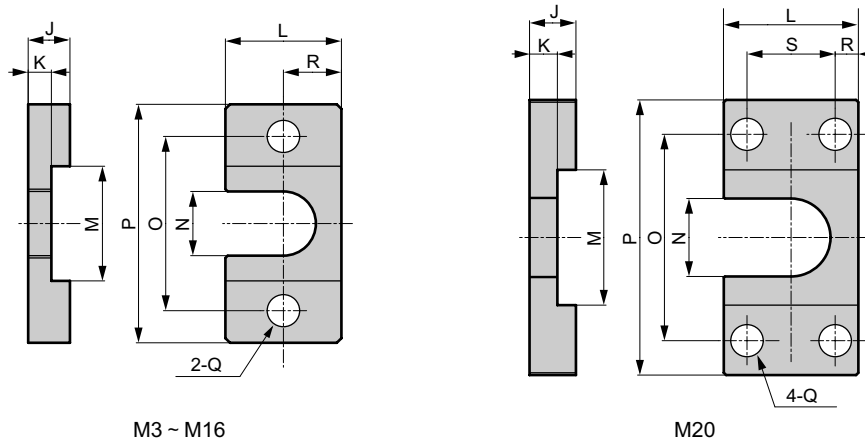
569页

部件(1)



材 质：钢
表面处理：镀镍

部件(2)



M3 ~ M16

M20

部件(1)

| 型号 | 适用气缸 | A | B | C | D | E | F | G | H |
|----------|---------------------|------|----|------|----|-----------------------------------|---|-----------|----|
| FK-M3-N | SSD-12 | 11.6 | 10 | 15 | 10 | 3.1 ^{+0.1} ₀ | 2 | M3 × 0.5 | 6 |
| FK-M4-N | SSD-16 | 11.6 | 10 | 15.5 | 10 | 3.1 ^{+0.1} ₀ | 2 | M4 × 0.7 | 6 |
| FK-M5-N | SSD-20,FCD-25 | 13.9 | 12 | 16.5 | 10 | 3.1 ^{+0.1} ₀ | 2 | M5 × 0.8 | 8 |
| FK-M6-N | SSD-25,FCD-32 | 13.9 | 12 | 19 | 10 | 3.1 ^{+0.1} ₀ | 2 | M6 × 1.0 | 8 |
| FK-M8-N | SSD-32,40,FCD-40,50 | 21.9 | 19 | 23 | 15 | 5.1 ^{+0.1} ₀ | 3 | M8 × 1.25 | 13 |
| FK-M10-N | SSD-50,63,FCD-63 | 21.9 | 19 | 24 | 15 | 5.1 ^{+0.1} ₀ | 3 | M10 × 1.5 | 13 |
| FK-M16-N | SSD-80 | 37 | 32 | 31 | 20 | 7.1 ^{+0.1} ₀ | 4 | M16 × 2.0 | 23 |
| FK-M20-N | SSD-100 | 53.1 | 46 | 43 | 28 | 12.1 ^{+0.1} ₀ | 7 | M20 × 2.5 | 32 |

部件(2)

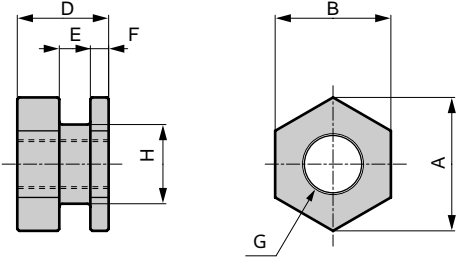
| 型号 | 适用气缸 | J | K | L | M | N | O | P | Q | R | S |
|----------|---------------------|----|---------------------------------|----|----|----|----|-----|-----|------|----|
| FK-M3-N | SSD-12 | 6 | 3 ⁰ _{-0.1} | 16 | 14 | 7 | 24 | 34 | 4.5 | 8 | — |
| FK-M4-N | SSD-16 | 6 | 3 ⁰ _{-0.1} | 16 | 14 | 7 | 24 | 34 | 4.5 | 8 | — |
| FK-M5-N | SSD-20,FCD-25 | 6 | 3 ⁰ _{-0.1} | 19 | 16 | 9 | 26 | 36 | 4.5 | 9.5 | — |
| FK-M6-N | SSD-25,FCD-32 | 6 | 3 ⁰ _{-0.1} | 19 | 16 | 9 | 26 | 36 | 4.5 | 9.5 | — |
| FK-M8-N | SSD-32,40,FCD-40,50 | 9 | 5 ⁰ _{-0.1} | 25 | 25 | 14 | 38 | 52 | 7 | 12.5 | — |
| FK-M10-N | SSD-50,63,FCD-63 | 9 | 5 ⁰ _{-0.1} | 25 | 25 | 14 | 38 | 52 | 7 | 12.5 | — |
| FK-M16-N | SSD-80 | 12 | 7 ⁰ _{-0.1} | 44 | 42 | 25 | 62 | 85 | 11 | 22 | — |
| FK-M20-N | SSD-100 | 22 | 12 ⁰ _{-0.1} | 65 | 59 | 34 | 90 | 120 | 14 | 13.5 | 38 |

RRC
GRC
RV3
NHS
HR
LN
FH100
HAP
BSA2
BHA·BHG
LHA
LHAG
HKP
HLA·HLB
HLAG·HLBG
HEP
HCP
HMF
HMFB
HFP
HLC
HGP
FH500
HBL
HDL
HMD
HJL
BHE
CKG
CK
CKA
CKS
CKF
CKJ
CKL2
CKL2
-HC
CKH2
CKLB2
NCK·SCK·FCK
FJ
FK
ABP
简关
易联
浮元
动件
接头

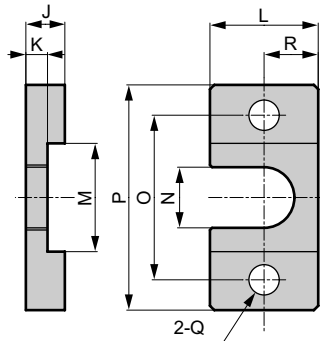


材 质：钢
表面处理：镀锌

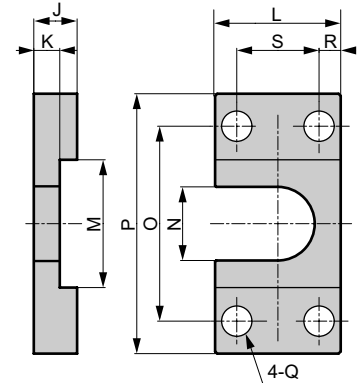
部件(1)



部件(2)



M3 ~ M18



M22 ~ M26

部件(1)

| 型号 | 适用气缸 | A | B | D | E | F | G | H |
|--------------|--|------|----|----|-----------------------------------|---|------------|----|
| FK-M3 | SCPD2-6,CAT-6,SMD2-6 | 11.6 | 10 | 10 | 3.1 ^{+0.1} ₀ | 2 | M3 × 0.5 | 6 |
| FK-M4 | SCPD2-10,CAT-10,SMD2-10 | 11.6 | 10 | 10 | 3.1 ^{+0.1} ₀ | 2 | M4 × 0.7 | 6 |
| FK-M5 | SCPD2-16,CAT-15,SMD2-16 SSD-12-N | 13.9 | 12 | 10 | 3.1 ^{+0.1} ₀ | 2 | M5 × 0.8 | 8 |
| FK-M6 | SMD2-20,SSD-16-N | 13.9 | 12 | 10 | 3.1 ^{+0.1} ₀ | 2 | M6 × 1.0 | 8 |
| FK-M8 × 1.0 | CMK2-20,CMA2-20,JSK2-20,JSM2-20 | 21.9 | 19 | 15 | 5.1 ^{+0.1} ₀ | 3 | M8 × 1.0 | 13 |
| FK-M8 × 1.25 | SMD2-25,SSD-20-N,SCM-20 | 21.9 | 19 | 15 | 5.1 ^{+0.1} ₀ | 3 | M8 × 1.25 | 13 |
| FK-M10 | CMK2-25-32,CMA2-30,SMD2-32,SSD-25-N SCM-25-32,FCD-25-N,JSK2-25-32,JSM2-30 | 21.9 | 19 | 15 | 5.1 ^{+0.1} ₀ | 3 | M10 × 1.25 | 13 |
| FK-M12 | CMK2-40,CMA2-40,JSK2-40,JSM2-40 | 27.7 | 24 | 15 | 5.1 ^{+0.1} ₀ | 3 | M12 × 1.5 | 18 |
| FK-M14 | SCA2-40,SSD-32-40-N SCM-40,FCD-32-40-N,JSC3-40 | 27.7 | 24 | 15 | 5.1 ^{+0.1} ₀ | 3 | M14 × 1.5 | 18 |
| FK-M16 | CAV2-50 | 37 | 32 | 20 | 7.1 ^{+0.1} ₀ | 4 | M16 × 1.5 | 23 |
| FK-M18 | SCA2-50-63,SSD-50-63-N,SCM-50-63 FCD-50-63-N,JSC3-50-63 | 37 | 32 | 20 | 7.1 ^{+0.1} ₀ | 4 | M18 × 1.5 | 23 |
| FK-M22 | SCA2-80,SSD-80-N,JSC3-80 SCM-80,CAV2-75-100 | 53.1 | 46 | 28 | 12.1 ^{+0.1} ₀ | 7 | M22 × 1.5 | 32 |
| FK-M26 | SCA2-100,SSD-100-N,SCM-100,JSC3-100 | 53.1 | 46 | 28 | 12.1 ^{+0.1} ₀ | 7 | M26 × 1.5 | 32 |

部件(2)

| 型号 | 适用气缸 | J | K | L | M | N | O | P | Q | R | S |
|--------------|--|----|--------------------------------|----|----|----|----|-----|-----|------|----|
| FK-M3 | SCPD2-6,CAT-6,SMD2-6 | 6 | 3 ⁰ _{0.1} | 16 | 14 | 7 | 24 | 34 | 4.5 | 8 | — |
| FK-M4 | SCPD2-10,CAT-10,SMD2-10 | 6 | 3 ⁰ _{0.1} | 16 | 14 | 7 | 24 | 34 | 4.5 | 8 | — |
| FK-M5 | SCPD2-16,CAT-15,SMD2-16 SSD-12-N | 6 | 3 ⁰ _{0.1} | 19 | 16 | 9 | 26 | 36 | 4.5 | 9.5 | — |
| FK-M6 | SMD2-20,SSD-16-N | 6 | 3 ⁰ _{0.1} | 19 | 16 | 9 | 26 | 36 | 4.5 | 9.5 | — |
| FK-M8 × 1.0 | CMK2-20,CMA2-20,JSK2-20,JSM2-20 | 9 | 5 ⁰ _{0.1} | 25 | 25 | 14 | 38 | 52 | 7 | 12.5 | — |
| FK-M8 × 1.25 | SMD2-25,SSD-20-N,SCM-20 | 9 | 5 ⁰ _{0.1} | 25 | 25 | 14 | 38 | 52 | 7 | 12.5 | — |
| FK-M10 | CMK2-25-32,CMA2-30,SMD2-32,SSD-25-N SCM-25-32,FCD-25-N,JSK2-25-32,JSM2-30 | 9 | 5 ⁰ _{0.1} | 25 | 25 | 14 | 38 | 52 | 7 | 12.5 | — |
| FK-M12 | CMK2-40,CMA2-40 | 9 | 5 ⁰ _{0.1} | 32 | 32 | 19 | 50 | 70 | 9 | 16 | — |
| FK-M14 | SCA2-40,SSD-32-40-N SCM-40,FCD-32-40-N,JSC3-40 | 9 | 5 ⁰ _{0.1} | 32 | 32 | 19 | 50 | 70 | 9 | 16 | — |
| FK-M16 | CAV2-50 | 12 | 7 ⁰ _{0.1} | 44 | 42 | 25 | 62 | 85 | 11 | 22 | — |
| FK-M18 | SCA2-50-63,SSD-50-63-N,SCM-50-63 FCD-50-63-N,JSC3-50-63 | 12 | 7 ⁰ _{0.1} | 44 | 42 | 25 | 62 | 85 | 11 | 22 | — |
| FK-M22 | SCA2-80,SSD-80-N,JSC3-80 SCM-80,CAV2-75-100 | 22 | 12 ⁰ _{0.1} | 65 | 59 | 34 | 90 | 120 | 14 | 13.5 | 38 |
| FK-M26 | SCA2-100,SSD-100-N,SCM-100,JSC3-100 | 22 | 12 ⁰ _{0.1} | 65 | 59 | 34 | 90 | 120 | 14 | 13.5 | 38 |