

# Water Regulator

## Pressure adjustment of water line

### Model/Specifications

| Model                         | WR110-□-X224             | WR110-□-X215            |
|-------------------------------|--------------------------|-------------------------|
| Port size                     | Rc1/8, 1/4               | Rc1/8, 1/4, NPT1/8, 1/4 |
| Fluid *1                      | Water                    |                         |
| Ambient and fluid temperature | -5 to 60°C (No freezing) |                         |
| Proof pressure                | 1.72 MPa                 |                         |
| Maximum operating pressure    | 0.8 MPa                  |                         |
| Set pressure range            | 0.08 to 0.39 MPa         | 0.05 to 0.69 MPa        |
| Pressure gauge port size      | Rc1/8, 1/4               | Rc1/8, 1/4, NPT1/8, 1/4 |
| Weight [kg]                   | 0.26                     |                         |

- \*1: Cannot be used with deionized water.
- \*: When using a bracket, order the B21-1P separately.
- \*: The pressure gauge is optional (sold separately). Refer to the table on the right.



Body material: Special brass

### How to Order

Set pressure range: 0.08 to 0.39 MPa

**WR110-02-X224**

Port size

|    |       |
|----|-------|
| 01 | Rc1/8 |
| 02 | Rc1/4 |

Set pressure range: 0.05 to 0.69 MPa

**WR110-□-02-X215**

Thread type

|     |     |
|-----|-----|
| Nil | Rc  |
| N   | NPT |

Port size

|    |     |
|----|-----|
| 01 | 1/8 |
| 02 | 1/4 |

### Pressure Gauge/Option (Sold separately)



For details, refer to the **WEB catalog**.

| Model              | Pressure range *1 | Indication unit | Connection thread | Note |
|--------------------|-------------------|-----------------|-------------------|------|
|                    | MPa               |                 |                   |      |
| G46-4-01 to 02-SRB | 0 to 0.4          | MPa             | R1/8<br>R1/4      | —    |
| G46-7-02-SRB       | 0 to 0.7          |                 | R1/4              |      |
| G46-10-02-SRB      | 0 to 1.0          |                 |                   |      |

\*1: Do not apply more pressure than the max. pressure displayed. It may cause a malfunction.

## Related Equipment

### Water Strainer Series WF300

Body material: Bronze  
Mesh: 100/70/50/25 mesh



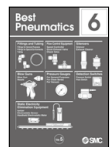
14-E628



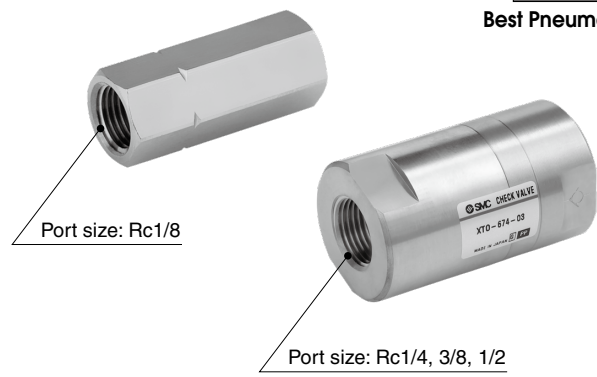
### Check Valve

**INA-14-290/XTO-674-□□**

Body material: Brass



Best Pneumatics



Port size: Rc1/8

Port size: Rc1/4, 3/8, 1/2

**WR110-□-X224/WR110-□-X215**

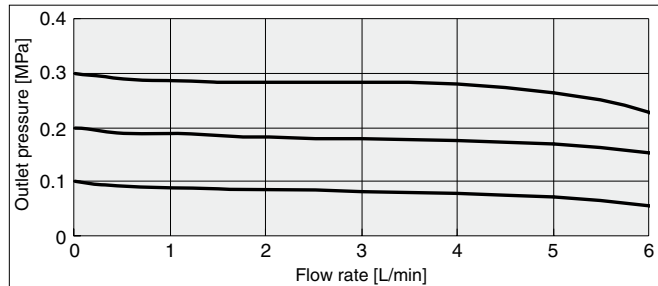


# WR110-□-X224/WR110-□-X215

## Flow Rate Characteristics Conditions/Fluid: Water, Port size: Rc1/4

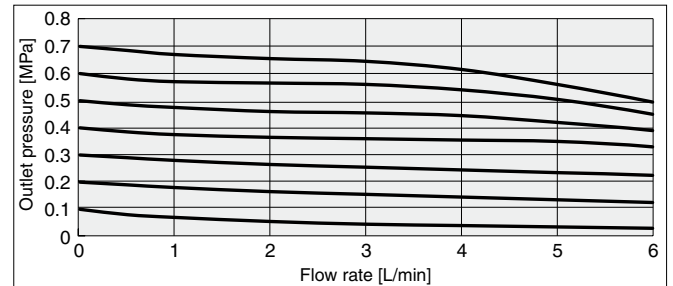
### WR110-02-X224

Inlet pressure: 0.6 MPa

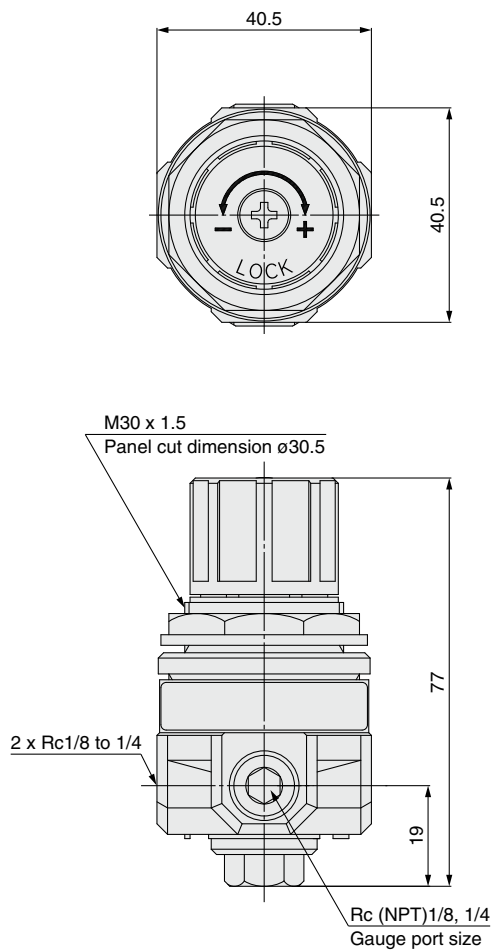


### WR110-02-X215

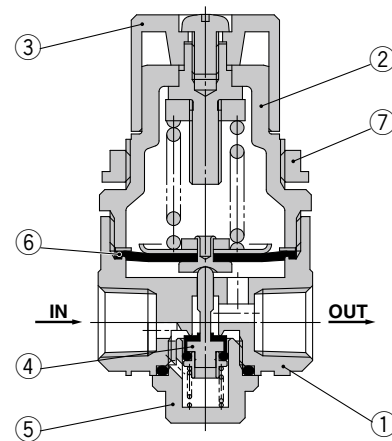
Inlet pressure: 0.8 MPa



## Dimensions



## Construction



## Component Parts

| No. | Description        | Material                              |
|-----|--------------------|---------------------------------------|
| 1   | Body               | Special brass                         |
| 2   | Bonnet             | Nylon                                 |
| 3   | Knob               | ABS                                   |
| 5   | Valve guide        | Special brass                         |
| 6   | Diaphragm assembly | Weather resistant NBR/Stainless steel |
| 7   | Set nut            | ZDC (Black zinc chromated)            |

## Replacement Parts

| No. | Description | Material            | Part number |
|-----|-------------|---------------------|-------------|
| 4   | Valve       | Stainless steel/NBR | 1349173-5   |

**⚠ Safety Instructions** Be sure to read the "Handling Precautions for SMC Products" (M-E03-3) and "Operation Manual" before use.