

Series 10-AS-FS

Speed Controller with Indicator
Elbow Type/Universal Type

How to Order



Width across flats (H)

E	8 mm
Nil	9 mm

Type

2	Elbow
3	Universal

Body size

1	M5 x 0.8 10-32UNF
---	----------------------

Port size

M5	M5 x 0.8
U10/32	10-32UNF

Applicable tubing O.D. (Note 1)

Metric size		Inch size	
02	ø2	01	ø1/8"
23	ø3.2 (Note 2)	03	ø5/32"
04	ø4	07	ø1/4"
06	ø6		

Note 1) For selecting applicable tubing O.D., refer to the "Model" on the table below.
Metric size and inch size types can be visually identified by color of the release button.
Metric size: Light gray
Inch size: Orange
Note 2) Use ø1/8" tube.

Body size 1 10 - AS 1 2 0 1 F S [] - M5 E - 06

Body size 2/3/4 10 - AS 2 2 0 1 F S [] - [] 01 - 06 S

Clean series

Body size	
2	1/8, 1/4
3	3/8
4	1/2

With indicator

Indicator window direction	Elbow	Universal
Nil	•	—
1	•	•
2	•	—
3	•	—

Applicable tubing O.D. (Note 1)

Metric size		Inch size	
23	ø3.2 (Note 2)	01	ø1/8"
04	ø4	03	ø5/32"
06	ø6	07	ø1/4"
08	ø8	09	ø5/16"
10	ø10	11	ø3/8"
12	ø12	13	ø1/2"
16	ø16		

Note 1) For selecting applicable tubing O.D., refer to the "Model" on the table below.
Note 2) Use ø1/8" tube.

Control type (Note)

0	Meter-out
1	Meter-in

Note) Meter-out and meter-in types can be visually identified by color of the handle. Meter-out: Gray Meter-in: Light blue

Body size	Indicator window direction	Indicator window	With indicator	
			Elbow	Universal
Nil	0°		•	—
1	180°		•	•
2	90°		•	—
3	270°		•	—

Note) Orientation of indicator direction is fixed when manufacturing, and cannot be changed by the user. In addition, the universal type is only available with 180° setting.

Port size

01	1/8
02	1/4
03	3/8
04	1/2

Seal method

Nil	Without sealant
S	With sealant

Note) Face seal type is used for the G thread type. Select "Nil/Without sealant". Example) 10-AS2201FS-G01-06

Thread type

Nil	R
N	NPT
G	G

Model

Model	Port size	Seal method	Applicable tubing O.D.											Note 3) Max. number of rotations						
			Metric size						Inch size											
			2 (Note 2)	3.2	4	6	8	10	12	16	1/8"	5/32"	1/4"		5/16"	3/8"	1/2"			
10-AS1□□1FS□-M5□	M5 x 0.8	Gasket seal	• (Note 4)	•	•	•							•	•	•			8		
10-AS1□□1FS□-U10/32□	10-32UNF		• (Note 4)	•	•	•								•	•	•				
10-AS2□□1FS□-□01	R NPT	Sealant (Note 1)		•	•	•	•	• (Note 4)					•	•	•	•		10		
10-AS2□□1FS□-□02			1/4		• (Note 4)	•	•	•	•					• (Note 4)	•	•	•		•	
10-AS3□□1FS□-□03			3/8			•	•	•	•	•						•	•		•	•
10-AS4□□1FS□-□04			1/2				•	•	•	•	•						•		•	•
10-AS2□□1FS□-G01			1/8		•	•	•	•	•	• (Note 4)										
10-AS2□□1FS□-G02	1/4	Face seal	• (Note 4)	•	•	•	•	•												
10-AS3□□1FS□-G02	3/8				•	•	•	•	•											
10-AS4□□1FS□-G03	1/2					•	•	•	•	•										
10-AS3□□1FS□-G03	3/8				•	•	•	•	•											
10-AS4□□1FS□-G04	1/2						•	•	•	•	• (Note 4)									

Note 1) "Without sealant" type can be selected as a standard option.
Note 2) Only polyurethane tubing is applicable for ø2.

Note 3) There are differences in actual rate as by the indicator window over the maximum number of rotations depending on the individual product.

Note 4) Universal type is not available.

Specifications

Proof pressure	1.5 MPa
Max. operating pressure	1 MPa
Min. operating pressure	0.1 MPa
Ambient and fluid temperature	-5 to 60°C (No freezing)
Applicable tubing material	Polyurethane ^{Note 1)}
Option ^{Note 2)}	With seal
Grease	Fluorine grease
Cleanliness class (ISO class)	Class 5

Note 1) Use caution at the max. operating pressure when using polyurethane tubing. (Refer to the **WEB catalog** for details.)

Note 2) M5 type port is not available with seal.

Flow Rate and Sonic Conductance

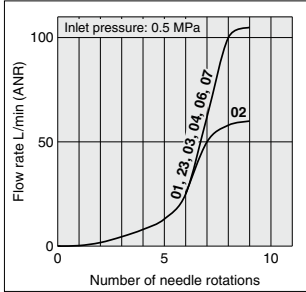
Model		10-AS1□□1FS-M5□			10-AS2□□1FS-01		10-AS2□□1FS-02				10-AS3□□1FS			10-AS4□□1FS	
Tubing O.D.	Metric size	ø2	ø3.2 ø4 ø6	ø3.2	ø4	ø6 ø8 ø10	ø3.2	ø4	ø6	ø8 ø10	ø6	ø8	ø10 ø12	ø10	ø12 ø16
	Inch size	—	ø1/8" ø1/4" ø5/32"	ø1/8"	ø5/32"	ø1/4" ø5/16"	ø1/8"	ø5/32"	—	ø1/4" ø5/16" ø3/8"	ø1/4"	ø5/16"	ø3/8"	ø3/8"	ø1/2"
C values: Sonic conductance dm ³ /(s·bar)	Free flow	0.2	0.3	0.4	0.6	0.6	0.7	1.0	1.3	1.5	1.6	1.7	2.5	4.4	4.8
	Controlled flow	0.2	0.3	0.4	0.7	0.8	0.6	0.9	1.3	1.6	2.1	2.4	3.3	4.4	4.9
b values: Critical pressure ratio	Free flow	0.3	0.4	0.2	0.3	0.3	0.3	0.4	0.4	0.4	0.4	0.3	0.3	0.3	0.3
	Controlled flow	0.2			0.2	0.3	0.3			0.3			0.3		

Note 1) 10-32UNF has the same specification as M5.

Note 2) C and b values are for controlled flow with the needle fully open and free flow with the needle fully closed.

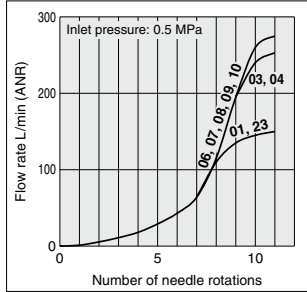
Needle Valve/Flow Rate Characteristics

10-AS1□01FS□-M5□, 10-AS1□11FS□-M5□

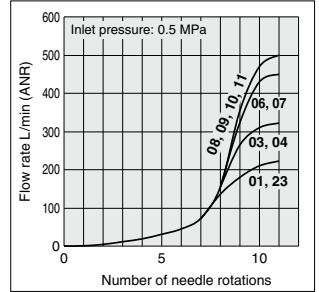


Note) -U10/32 has the same specification as M5.

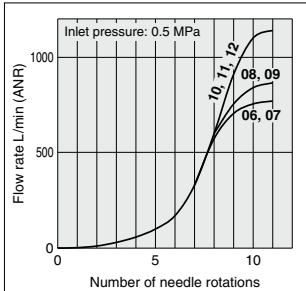
10-AS2□01FS□-01, 10-AS2□11FS□-01



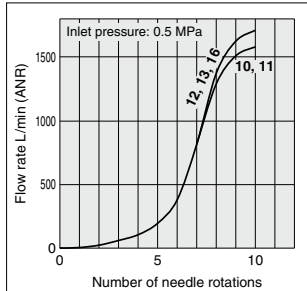
10-AS2□01FS□-02, 10-AS2□11FS□-02



10-AS3□01FS□, 10-AS3□11FS□



10-AS4□01FS□, 10-AS4□11FS□



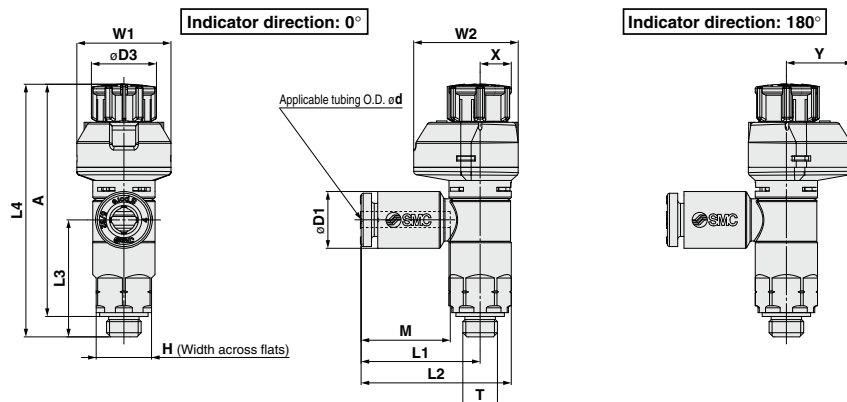
Note) The numbers above the flow rate characteristic curves in the charts show the applicable tubing outer diameter as defined by the product number.

Directional Control Valves
 Air Cylinders
 Rotary Actuators
 Air Grippers
 Air Preparation Equipment
 Modular F. R.
 Pressure Control Equipment
 Fittings & Tubing
 Flow Control Equipment
 Pressure Switches/ Pressure Sensors

Push-lock Type Speed Controller with Indicator 10-AS-FS

Dimensions: Elbow Type

Seal method: Gasket seal
For M5, 10-32UNF



Metric Size

Model	d	T	H	D1	D3	L1	L2	L3	L4 Note 1)		A Note 2)		M	W1	W2	X	Y	Weight (g)
									Unlocked	Locked	Unlocked	Locked						
10-AS12□1FS□-M5E-02	2	M5 x 0.8 10/32UNF	8	5.8	15.8	20.3	16.9	39	36.5	35	33.5	11.9	13.6	15.1	5.5	9.6	7	
10-AS12□1FS□-U10/32E-02				7.2														
10-AS12□1FS□-M5E-23	3.2			9.4	17.2	21.7	16.5	13.3										
10-AS12□1FS□-U10/32E-23				8.2														
10-AS12□1FS□-M5E-04	4			10.4	18.6	23.1	16.5	8										
10-AS12□1FS□-U10/32E-04	6			10.4	18.6	23.1	16.5	8										
10-AS12□1FS□-M5E-06		10.4	18.6	23.1	16.5	8												
10-AS12□1FS□-U10/32E-06	6	10.4	18.6	23.1	16.5	8												

Note 1) Reference dimensions

Note 2) Reference dimensions of threads after installation

Inch Size

Model	d	T	H	D1	D3	L1	L2	L3	L4 Note 1)		A Note 2)		M	W1	W2	X	Y	Weight (g)
									Unlocked	Locked	Unlocked	Locked						
10-AS12□1FS□-M5E-01	1/8"	M5 x 0.8 10/32UNF	8	7.2	9.4	17.2	21.7	16.9	39.0	36.5	35	33.5	13.3	13.6	15.1	5.5	9.6	7
10-AS12□1FS□-U10/32E-01				8.2														
10-AS12□1FS□-M5E-03	5/32"			11.2	18.6	23.1	16.5	8										
10-AS12□1FS□-U10/32E-03				11.2	18.6	23.1	16.5	8										
10-AS12□1FS□-M5E-07	1/4"			11.2	18.6	23.1	16.5	8										
10-AS12□1FS□-U10/32E-07				11.2	18.6	23.1	16.5	8										

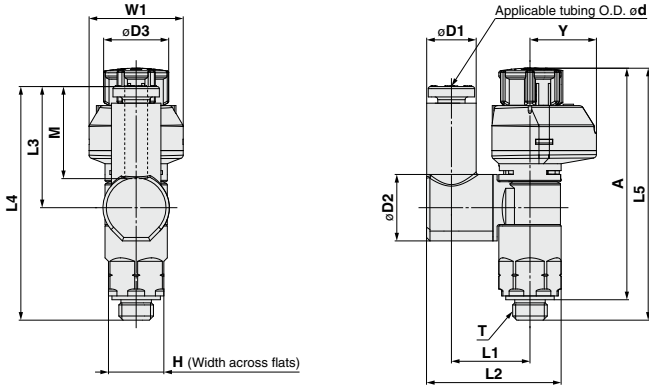
Note 1) Reference dimensions

Note 2) Reference dimensions of threads after installation



Dimensions: Universal Type

Seal method: Gasket seal
For M5, 10-32UNF



Metric Size

Model	d	T	H	D1	D2	D3	L1	L2	L3	L4	L5		A		M	W1	Y	Weight [g]
											Unlocked	Locked	Unlocked	Locked				
10-AS13□1FS1-M5E-23	3.2	M5 x 0.8 10/32UNF	8	7.2	9.6	9.4	11.6	19.4	17.5	33.8	39	36.5	35	33.5	13.3	13.6	9.6	7
10-AS13□1FS1-U10/32/23				8.2														
10-AS13□1FS1-M5E-04	4	M5 x 0.8 10/32UNF	8	8.2	9.6	9.4	11.5	19.8	20.4	36.6	39	36.5	35	33.5	13.3	13.6	9.6	8
10-AS13□1FS1-U10/32-04				10.4														
10-AS13□1FS1-M5E-06	6	M5 x 0.8 10/32UNF	8	10.4	9.6	9.4	11.5	20.9	20.4	36.6	39	36.5	35	33.5	13.3	13.6	9.6	8
10-AS13□1FS1-U10/32-06				10.4														

Inch Size

Model	d	T	H	D1	D2	D3	L1	L2	L3	L4	L5		A		M	W1	Y	Weight [g]
											Unlocked	Locked	Unlocked	Locked				
10-AS13□1FS1-M5E-01	1/8	M5 x 0.8 10/32UNF	8	7.2	9.4	9	17.2	19.8	17.5	33.8	39	36.5	35	33.5	13.3	13.6	9.6	7
10-AS13□1FS1-U10/32-01				8.2														
10-AS13□1FS1-M5E-03	5/32	M5 x 0.8 10/32UNF	8	8.2	9.4	9	18.6	20.9	20.4	36.6	39	36.5	35	33.5	13.3	13.6	9.6	8
10-AS13□1FS1-U10/32-03				11.2														
10-AS13□1FS1-M5E-07	1/4	M5 x 0.8 10/32UNF	8	11.2	9.4	9	18.6	20.9	20.4	36.6	39	36.5	35	33.5	13.3	13.6	9.6	8
10-AS13□1FS1-U10/32-07				11.2														

Directional Control Valves
Air Cylinders
Rotary Actuators
Air Grippers
Air Preparation Equipment
Modular F. R.
Pressure Control Equipment
Fittings & Tubing
Flow Control Equipment
Pressure Switches/ Pressure Sensors

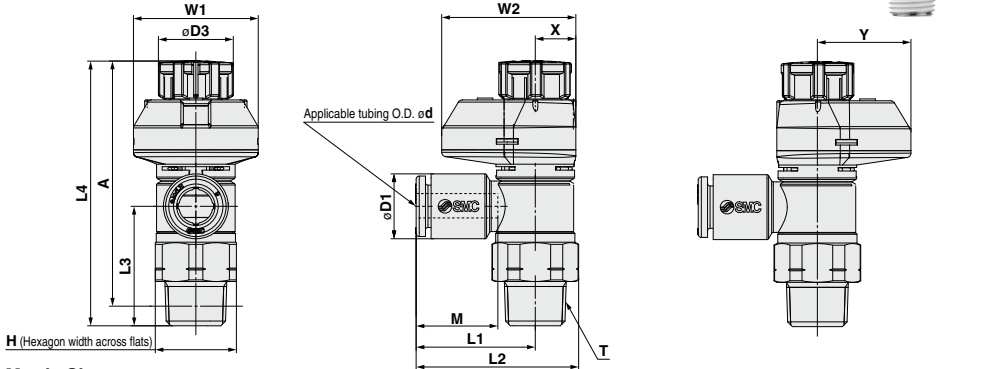
Push-lock Type Speed Controller with Indicator **10-AS-FS**

Dimensions: **Elbow Type**

Seal method: Sealant
For R, NPT thread

Indicator direction: 0°

Indicator direction: 180°



Metric Size

Model	d	T (R, NPT)	H	D1	D3	L1	L2	L3	L4 Note 1)		A Note 2)		M	W1	W2	X	Y	Weight (g)		
									Unlocked	Locked	Unlocked	Locked								
10-AS22□1FS□-01-23(S)	3.2	1/8	13 (12.7)	7.2	12	19.1	26.1 (26)	19.1	43.9	42.4	40.8	39.3	13.3	20	21.5	6.5	15	13 (13)		
10-AS22□1FS□-01-04(S)	4			8.2														14 (14)		
10-AS22□1FS□-01-06(S)	6			10.4														15 (15)		
10-AS22□1FS□-01-08(S)	8			13.2														16 (16)		
10-AS22□1FS□-01-10(S)	10	15.9	16 (16)	25.3	32.3 (32.2)	16 (15)														
10-AS22□1FS□-02-23(S)	3.2	1/4	17 (17.5)	7.2	13	20.9	30 (30.3)	22.6	49.7	48.3	44.2	42.8	13.3	21.5	24	7.8	16.2	23 (24)		
10-AS22□1FS□-02-04(S)	4			8.2														15 (14)		
10-AS22□1FS□-02-06(S)	6			10.4														15 (14)		
10-AS22□1FS□-02-08(S)	8			13.2														16 (15)		
10-AS22□1FS□-02-10(S)	10	15.9	16 (15)	26.9	36 (36.3)	16 (25)														
10-AS32□1FS□-02-06(S)	6	1/4	19	10.4	16.6	21.8	32.1	36.4	63.1	61.7	57.9	56.5	13.3	24.5	28.5	9.3	19.2	47 (48)		
10-AS32□1FS□-02-08(S)	8			13.2														33	14 (13)	
10-AS32□1FS□-02-10(S)	10			15.9														37	15 (14)	
10-AS32□1FS□-02-12(S)	12			18.5														40	17	
10-AS32□1FS□-03-06(S)	6	3/8	19	10.4	16.6	21.8	32.1	28.7	55.4	54	50.2	48.8	13.3	24.5	28.5	9.3	19.2	38 (39)		
10-AS32□1FS□-03-08(S)	8			13.2														33	14 (13)	
10-AS32□1FS□-03-10(S)	10			15.9														37	15 (14)	
10-AS32□1FS□-03-12(S)	12			18.5														40	17	
10-AS42□1FS□-04-10(S)	10	1/2	24 (23.8)	15.9	18.8	27.4	40.3 (40.2)	36.2	64.1	62.5	57	55.4	15.6	26	29	10	19	62 (61)		
10-AS42□1FS□-04-12(S)	12			18.5														43.7 (43.6)	35.1	64 (63)
10-AS42□1FS□-04-16(S)	16			23.8														47.7 (47.6)	32.7	68 (67)

Note 1) Reference dimensions Note 2) Reference dimensions of threads after installation Note 3) () are the dimensions of NPT thread.

Inch Size

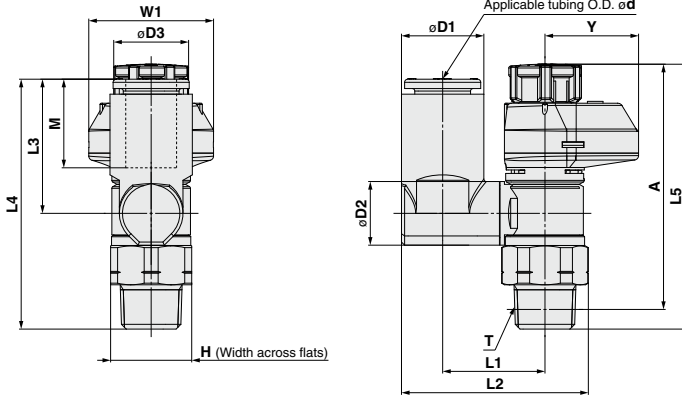
Model	d	T (R, NPT)	H	D1	D3	L1	L2	L3	L4 Note 1)		A Note 2)		M	W1	W2	X	Y	Weight (g)	
									Unlocked	Locked	Unlocked	Locked							
10-AS22□1FS□-01-01(S)	1/8"	1/8	13 (12.7)	7.2	12	19.1	26.1 (26)	19.1	43.8	42.4	40.7	39.3	13.3	20	21.5	6.5	15	13 (13)	
10-AS22□1FS□-01-03(S)	5/32"			8.2														14 (13)	
10-AS22□1FS□-01-07(S)	1/4"			11.2														15 (14)	
10-AS22□1FS□-01-09(S)	5/16"			13.2														16 (15)	
10-AS22□1FS□-02-01(S)	1/8"	1/4	17 (17.5)	7.2	13	20.9	30 (30.3)	22.6	49.7	48.3	44.2	42.8	13.3	21.5	24	7.8	16.2	23 (24)	
10-AS22□1FS□-02-03(S)	5/32"			8.2														15 (14)	
10-AS22□1FS□-02-07(S)	1/4"			11.2														15 (14)	
10-AS22□1FS□-02-09(S)	5/16"			13.2														16 (15)	
10-AS22□1FS□-02-11(S)	3/8"	15.5	16 (15)	26.4	35.5 (35.8)	16 (25)													
10-AS32□1FS□-02-07(S)	1/4"	3/8	19	11.2	16.6	21.8	32.1	28.7	63.1	61.7	57.9	56.5	13.3	24.5	28.5	9.3	19.2	47 (48)	
10-AS32□1FS□-02-09(S)	5/16"			13.2														33	14 (13)
10-AS32□1FS□-02-11(S)	3/8"			15.5														37	15 (14)
10-AS32□1FS□-03-07(S)	1/4"			11.2														33	17
10-AS32□1FS□-03-09(S)	5/16"	3/8	19	13.2	16.6	21.8	32.1	28.7	55.4	54	50.2	48.8	13.3	24.5	28.5	9.3	19.2	38 (39)	
10-AS32□1FS□-03-11(S)	3/8"			15.5														37	15 (14)
10-AS42□1FS□-04-11(S)	3/8"			15.5														26.7	37
10-AS42□1FS□-04-13(S)	1/2"			24 (23.8)														18.8	27.4
10-AS42□1FS□-04-16(S)	1/2"	24 (23.8)	19.3	30.9	43.8 (43.7)	34.7	64.1	62.5	57	55.4	17	26	29	10	19	64 (63)			

Note 1) Reference dimensions Note 2) Reference dimensions of threads after installation Note 3) () are the dimensions of NPT thread.



Dimensions: Universal Type

Seal method: Sealant
For R, NPT thread



Metric Size

Model	d	T	H	D1	D2	D3	L1	L2	L3	L4	L5		A		M	W1	Y	Weight [g]	
											Unlocked	Locked	Unlocked	Locked					
10-AS23□1FS1-01-23 (S)	3.2			7.2			13.3	24	17.5	36								14	
10-AS23□1FS1-01-04 (S)	4	1/8	13	8.2	9.6	12	13.9	25.1	26.2	20.4	38.8	43.9	42.4	40.8	39.3	13.3	20	15	15
10-AS23□1FS1-01-06 (S)	6		(12.7)	10.4			16.4	30.1	21.5	40								16	
10-AS23□1FS1-01-08 (S)	8			13.2	10.2		16.4	30.1	21.5	40								16	
10-AS23□1FS1-02-04 (S)	4			8.2			16.5	29.9	17.5	40.1								24	
10-AS23□1FS1-02-06 (S)	6	1/4	17	11.2	12.9	13	19	33.8	21.4	43.9								26	
10-AS23□1FS1-02-08 (S)	8		(17.5)	13.2			19	34.9	23.5	46								27	
10-AS23□1FS1-02-10 (S)	10			15.9			20.9	38.1	24.7	47.3								28	
10-AS33□1FS1-02-06 (S)	6			11.2	12.9		20.2	36	21.4	57.8								49	
10-AS33□1FS1-02-08 (S)	8	1/4	19	13.2	16.6		23	37.1	23.5	59.9								50	
10-AS33□1FS1-02-10 (S)	10			15.9			23	41.2	26.1	62.5								53	
10-AS33□1FS1-02-12 (S)	12			18.5	17.4		23	42.5	28.3	64.7								55	
10-AS33□1FS1-03-06 (S)	6			10.4	12.9		20.2	36	21.4	50.1								41	
10-AS33□1FS1-03-08 (S)	8	3/8	19	13.2	16.6		23	37.1	23.5	52.2								42	
10-AS33□1FS1-03-10 (S)	10			15.9			23	41.2	26.1	54.8								45	
10-AS33□1FS1-03-12 (S)	12			18.5	17.4		23	42.5	28.3	57								47	
10-AS43□1FS1-04-10 (S)	10	1/2	24	15.9	17.4	18.8	25.6	46.4	26.1	61.2								69	
10-AS43□1FS1-04-12 (S)	12		(23.8)	18.5	21		26.2	48.3	28.3	63.4								72	

Inch Size

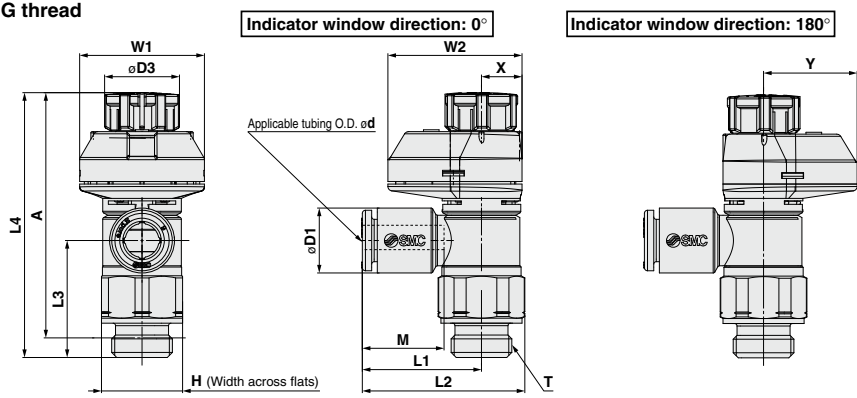
Model	d	T	H	D1	D2	D3	L1	L2	L3	L4	L5		A		M	W1	Y	Weight [g]	
											Unlocked	Locked	Unlocked	Locked					
10-AS23□1FS1-01-01 (S)	1/8			7.2			13.3	24	17.5	36								14	
10-AS23□1FS1-01-03 (S)	5/32	1/8	13	8.2	9.6	12	13.9	25.1	26.2	20.4	38.8	43.9	42.4	40.8	39.3	13.3	20	15	15
10-AS23□1FS1-01-07 (S)	1/4		(12.7)	11.2	10.2		16.4	29.1	20.2	38.7								16	
10-AS23□1FS1-01-09 (S)	5/16			13.2			16.4	30.1	21.5	40								16	
10-AS23□1FS1-02-03 (S)	5/32			8.2			16.5	29.9	17.5	40.1								24	
10-AS23□1FS1-02-07 (S)	1/4	1/4	17	11.2	12.9	13	19	33.8	21.4	43.9								26	
10-AS23□1FS1-02-09 (S)	5/16		(17.5)	13.2			19	34.9	23.5	46								27	
10-AS23□1FS1-02-11 (S)	3/8			15.9			20.9	38.1	24.7	47.3								28	
10-AS33□1FS1-02-07 (S)	1/4			11.2	12.9		20.2	36	21.4	57.8								49	
10-AS33□1FS1-02-09 (S)	5/16	3/8	19	13.2	16.6		23	37.1	23.5	59.9								50	
10-AS33□1FS1-03-11 (S)	3/8			15.9	17.4		23	41.2	26.1	62.5								53	
10-AS33□1FS1-03-07 (S)	1/4			10.4	12.9		20.2	36	21.4	50.1								41	
10-AS33□1FS1-03-09 (S)	5/16	3/8	19	13.2	16.6		23	37.1	23.5	52.2								42	
10-AS33□1FS1-03-11 (S)	3/8			15.9	17.4		23	41.2	26.1	54.8								45	
10-AS43□1FS1-04-11 (S)	3/8	1/2	24	15.9	17.4	18.8	25.6	46.4	26.1	61.2								69	
10-AS43□1FS1-04-13 (S)	1/2		(23.8)	18.5	21		26.2	48.3	28.3	63.4								72	

Directional Control Valves
Air Cylinders
Rotary Actuators
Air Grippers
Air Preparation Equipment
Modular F. R.
Pressure Control Equipment
Fittings & Tubing
Flow Control Equipment
Pressure Switches/ Pressure Sensors

Push-lock Type Speed Controller with Indicator 10-AS-FS

Dimensions: Elbow Type

Seal method: Face seal
For G thread



Metric Size

Model	d	T	H	D1	D3	L1	L2	L3	L4 Note 1)		A Note 2)		M	W1	W2	X	Y	Weight [g]
									Unlocked	Locked	Unlocked	Locked						
10-AS22□1FS□-G01-23	3.2			7.2														
10-AS22□1FS□-G01-04	4			8.2														
10-AS22□1FS□-G01-06	6	1/8	13	10.4	12	19.1	26.2	18.8	43.8	42.4	38.3	36.9	13.3	20	21.5	6.5	15	14
10-AS22□1FS□-G01-08	8			13.2		22.4	29.5						14.2					15
10-AS22□1FS□-G01-10	10			15.9		25.3	32.4						15.6					16
10-AS22□1FS□-G02-23	3.2			7.2														
10-AS22□1FS□-G02-04	4			8.2		20.9	30.2											
10-AS22□1FS□-G02-06	6	1/4	17	10.4	13	23.4	32.7	22.6	49.7	48.3	43.2	41.8	13.3	21.5	24	7.8	16.2	26
10-AS22□1FS□-G02-08	8			13.2		23.9	33.2						14.2					27
10-AS22□1FS□-G02-10	10			15.9		26.9	36.2						15.6					28
10-AS32□1FS□-G02-06	6			10.4		21.8	33	36.4					13.3					
10-AS32□1FS□-G02-08	8	1/4	21	13.2	16.6	22.7	33.9		63.1	61.7	54.6	53.2	14.2	24.5	28.5	9.3	19.2	55
10-AS32□1FS□-G02-10	10			15.9		26.7	37.9	35.7					15.6					57
10-AS32□1FS□-G02-12	12			18.5		29.7	40.9	34.5					17					59
10-AS32□1FS□-G03-06	6			10.4		21.8	33	28.7					13.3					45
10-AS32□1FS□-G03-08	8	3/8	21	13.2	16.6	22.7	33.9		55.4	54	47.9	46.5	14.2	24.5	28.5	9.3	19.2	46
10-AS32□1FS□-G03-10	10			15.9		26.7	37.9	28					15.6					47
10-AS32□1FS□-G03-12	12			18.5		29.7	40.9	26.8					17					49
10-AS42□1FS□-G04-10	10			15.9		27.4	41.8	36.2					15.6					80
10-AS42□1FS□-G04-12	12	1/2	27	18.5	18.8	30.8	45.2	35.1	64.1	62.5	55.1	53.5	17	26	29	10	19	82
10-AS42□1FS□-G04-16	16			23.8		34.8	49.2	32.7					20.6					86

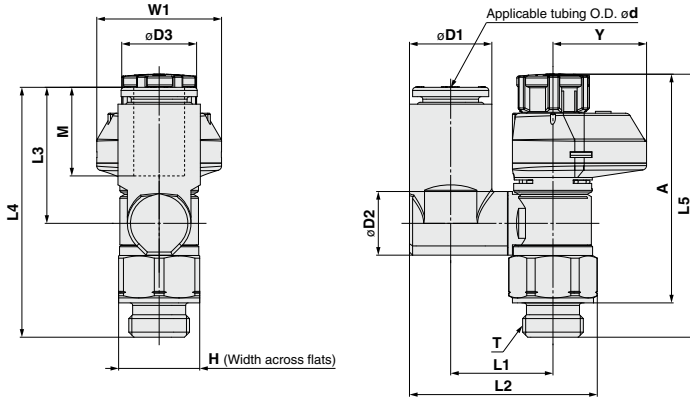
Note 1) Reference dimensions

Note 2) Reference dimensions of threads after installation



Dimensions: Universal Type

Seal method: Face seal
For G thread



Metric Size

Model	d	T	H	D1	D2	D3	L1	L2	L3	L4	L5		A		M	W1	Y	Weight [g]											
											Unlocked	Locked	Unlocked	Locked															
10-AS23□1FS1-G01-23	3.2	1/8	13	7.2	9.6	12	13.2	24	17.5	35.7	43.8	42.4	38.3	36.9	13.3	20	15	14											
10-AS23□1FS1-G01-04	4			8.2			13.9	25.1										26.2	20.4	38.5	15								
10-AS23□1FS1-G01-06	6			10.4			16.4	30.1										21.5	39.7	16									
10-AS23□1FS1-G01-08	8	1/4	17	13.2	10.2	13	16.4	30.1	17.5	40.1	49.7	48.3	43.2	41.8	14.2	21.5	16.2	16											
10-AS23□1FS1-G02-04	4			8.2			16.5	29.9										17.5	40.1	26									
10-AS23□1FS1-G02-06	6			10.4			19	33.8										21.4	43.9	28									
10-AS23□1FS1-G02-08	8			13.2			19	34.9										23.5	46	29									
10-AS23□1FS1-G02-10	10			15.9			20.9	38.1										24.7	47.3	32									
10-AS33□1FS1-G02-06	6			1/4			21	10.4										12.9	16.6	20.2	36.1	21.4	57.8	63.1	61.7	54.6	53.2	13.3	24.5
10-AS33□1FS1-G02-08	8	13.2	20.2		38	23.5		59.9	56																				
10-AS33□1FS1-G02-10	10	15.9	23		42.2	26.1		58	59																				
10-AS33□1FS1-G02-12	12	18.5	23		43.5	28.3		59.9	61																				
10-AS33□1FS1-G03-06	6	3/8	21		10.4	12.9		16.6	20.2	36.6	21.4	50.1	55.4	54	47.9	46.5	13.3			24.5	19.2	45							
10-AS33□1FS1-G03-08	8				13.2				20.2	38	23.5	52.2										46							
10-AS33□1FS1-G03-10	10			15.9	23		42.2		28.1	50.3	47																		
10-AS33□1FS1-G03-12	12			18.5	23		43.5		28.3	52.2	49																		
10-AS43□1FS1-G04-10	10			1/2	27		15.9		17.4	18.8	25.6	47.9						26.1	61.2			64.1	62.5	55.1	53.5	15.6	26	19	80
10-AS43□1FS1-G04-12	12						18.5				21	26.2						49.8	28.3										63.4

- Directional Control Valves
- Air Cylinders
- Rotary Actuators
- Air Grippers
- Air Preparation Equipment
- Modular F. R.
- Pressure Control Equipment
- Fittings & Tubing
- Flow Control Equipment
- Pressure Switches/ Pressure Sensors