

HITOP 金属快速接头 KZQ 系列

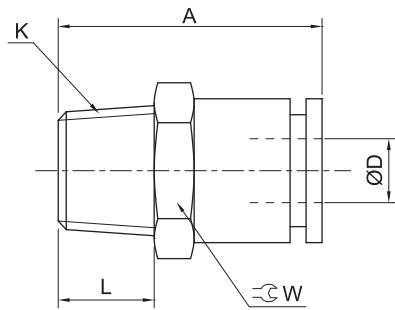
特点

1. 全系列金属本体镀镍处理，强度高，寿命长。
2. 相较塑料接头，金属快速接头具备更高的耐压力。
3. 螺纹规格最大至 R1，适应于大气缸管路连接。



外形尺寸 [mm]

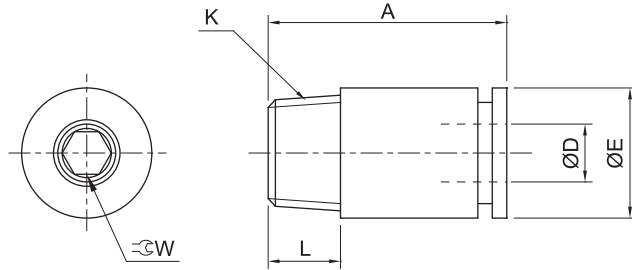
• KZQ201 金属直通接头



| 型号 | D | K | A | L | W |
|--------------|----|--------|----|----|----|
| KZQ201-04-M5 | 4 | M5X0.8 | 21 | 5 | 9 |
| KZQ201-04-01 | | R1/8 | 19 | 7 | 10 |
| KZQ201-06-01 | 6 | R1/8 | 24 | 7 | 12 |
| KZQ201-06-02 | | R1/4 | 22 | 9 | 14 |
| KZQ201-08-01 | 8 | R1/8 | 29 | 7 | 14 |
| KZQ201-08-02 | | R1/4 | 27 | 9 | 14 |
| KZQ201-08-03 | | R3/8 | 23 | 10 | 17 |
| KZQ201-10-01 | 10 | R1/8 | 31 | 7 | 16 |
| KZQ201-10-02 | | R1/4 | 33 | 9 | 16 |
| KZQ201-10-03 | | R3/8 | 30 | 10 | 17 |
| KZQ201-10-04 | | R1/2 | 25 | 12 | 21 |
| KZQ201-12-02 | 6 | R1/4 | 30 | 9 | 19 |
| KZQ201-12-03 | | R3/8 | 30 | 10 | 19 |
| KZQ201-12-04 | | R1/2 | 32 | 12 | 21 |

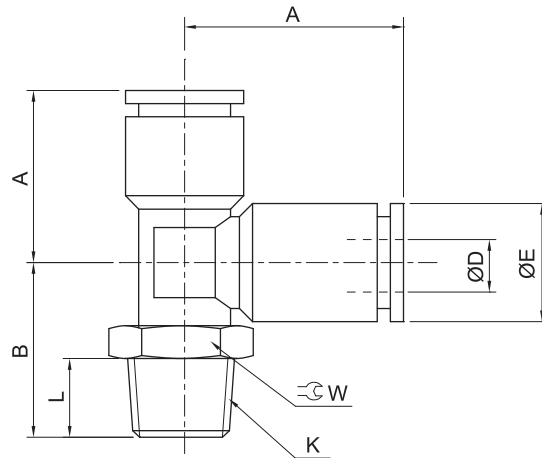
外形尺寸 (mm)

• KZQ202 金属内六角直通接头



| 型号 | D | K | A | E | L | W |
|--------------|----|--------|----|----|----|-----|
| KZQ202-04-M5 | 4 | M5X0.8 | 20 | 9 | 5 | 2.6 |
| KZQ202-06-01 | 6 | R1/8 | 21 | 12 | 7 | 4 |
| KZQ202-08-02 | 8 | R1/4 | 27 | 14 | 9 | 5 |
| KZQ202-10-02 | 10 | R1/4 | 33 | 16 | 9 | 6 |
| KZQ202-10-03 | | R3/8 | 30 | 16 | 10 | 6 |
| KZQ202-12-02 | 12 | R1/4 | 33 | 18 | 9 | 8 |
| KZQ202-12-03 | | R3/8 | 30 | 18 | 10 | 8 |

• KZQ203 T型金属接头

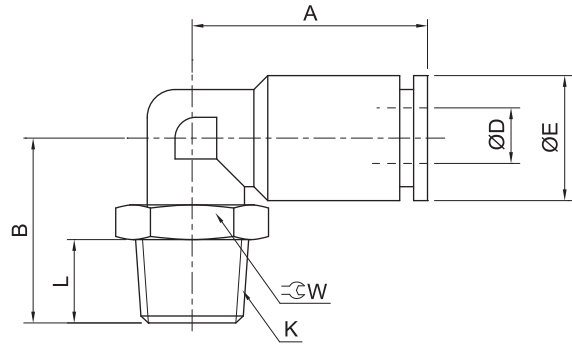


| 型号 | D | K | A | B | E | L | W |
|--------------|----|--------|----|------|----|----|----|
| KZQ203-04-M5 | 4 | M5X0.8 | 19 | 15 | 9 | 5 | 10 |
| KZQ203-04-01 | | R1/8 | 19 | 17.5 | 9 | 7 | 10 |
| KZQ203-06-01 | 6 | R1/8 | 23 | 19 | 12 | 7 | 10 |
| KZQ203-06-02 | | R1/4 | 23 | 21 | 12 | 9 | 14 |
| KZQ203-08-01 | 8 | R1/8 | 25 | 22.5 | 14 | 7 | 12 |
| KZQ203-08-02 | | R1/4 | 25 | 24.5 | 14 | 9 | 14 |
| KZQ203-08-03 | | R3/8 | 25 | 26 | 14 | 10 | 17 |
| KZQ203-10-02 | 10 | R1/4 | 30 | 26 | 16 | 9 | 14 |
| KZQ203-10-03 | | R3/8 | 30 | 28 | 16 | 10 | 17 |
| KZQ203-10-04 | | R1/2 | 30 | 30 | 16 | 12 | 21 |
| KZQ203-12-02 | 12 | R1/4 | 30 | 27 | 18 | 9 | 16 |
| KZQ203-12-03 | | R3/8 | 30 | 29 | 18 | 10 | 17 |
| KZQ203-12-04 | | R1/2 | 30 | 31 | 18 | 12 | 21 |

金属快速接头 KZQ 系列

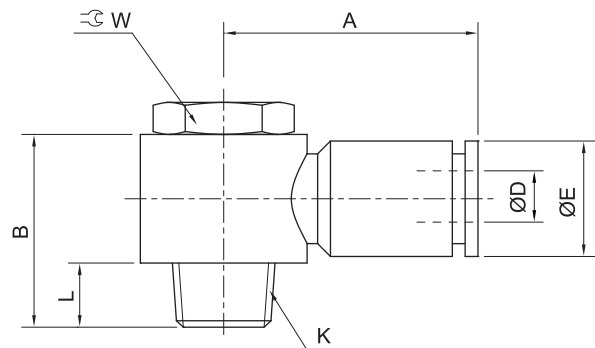
外形尺寸 (mm)

• KZQ204 金属弯头



| 型号 | D | K | A | B | E | L | W |
|--------------|----|--------|------|----|----|----|----|
| KZQ204-04-M5 | 4 | M5X0.8 | 19 | 17 | 9 | 5 | 10 |
| KZQ204-04-01 | | R1/8 | 19 | 19 | 9 | 7 | 10 |
| KZQ204-04-02 | | R1/4 | 19 | 21 | 9 | 9 | 14 |
| KZQ204-06-01 | 6 | R1/8 | 23.5 | 20 | 12 | 7 | 10 |
| KZQ204-06-02 | | R1/4 | 23.5 | 22 | 12 | 9 | 14 |
| KZQ204-08-01 | 8 | R1/8 | 26 | 21 | 14 | 7 | 12 |
| KZQ204-08-02 | | R1/4 | 26 | 23 | 14 | 9 | 14 |
| KZQ204-08-03 | | R3/8 | 26 | 24 | 14 | 10 | 17 |
| KZQ204-10-01 | 10 | R1/8 | 29 | 22 | 16 | 7 | 14 |
| KZQ204-10-02 | | R1/4 | 29 | 24 | 16 | 9 | 14 |
| KZQ204-10-03 | | R3/8 | 29 | 25 | 16 | 10 | 17 |
| KZQ204-10-04 | | R1/2 | 29 | 27 | 16 | 12 | 21 |
| KZQ204-12-02 | 12 | R1/4 | 31 | 26 | 18 | 9 | 16 |
| KZQ204-12-03 | | R3/8 | 31 | 27 | 18 | 10 | 17 |
| KZQ204-12-04 | | R1/2 | 31 | 29 | 18 | 12 | 21 |
| KZQ204-14-03 | 14 | R3/8 | 33.5 | 29 | 20 | 10 | 21 |
| KZQ204-14-04 | | R1/2 | 33.5 | 31 | 20 | 12 | 27 |

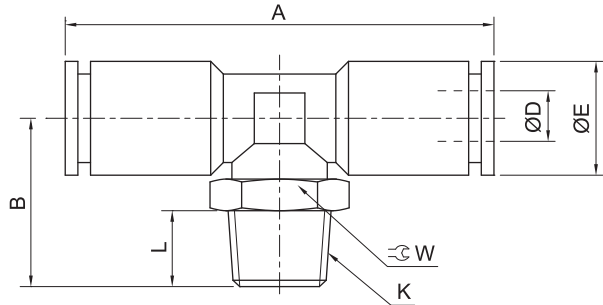
• KZQ205 金属万向接头



| 型号 | D | K | A | B | E | L | W |
|--------------|---|--------|----|----|----|---|----|
| KZQ205-04-M5 | 4 | M5X0.8 | 20 | 17 | 9 | 5 | 8 |
| KZQ205-06-01 | 6 | R1/8 | 25 | 22 | 12 | 7 | 12 |
| KZQ205-08-02 | 8 | R1/4 | 27 | 24 | 14 | 9 | 14 |

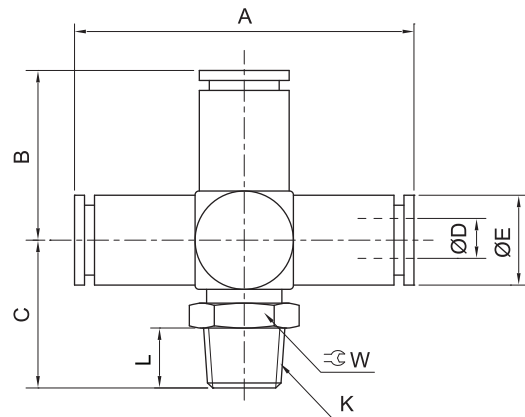
外形尺寸 [mm]

• KZQ206 T 型金属接头



| 型号 | D | K | A | B | E | L | W |
|--------------|----|--------|----|----|----|----|----|
| KZQ206-04-M5 | 4 | M5X0.8 | 37 | 17 | 9 | 5 | 10 |
| KZQ206-04-01 | | R1/8 | 37 | 19 | 9 | 7 | 10 |
| KZQ206-06-01 | 6 | R1/8 | 48 | 20 | 12 | 7 | 10 |
| KZQ206-06-02 | | R1/4 | 48 | 22 | 12 | 9 | 14 |
| KZQ206-08-01 | 8 | R1/8 | 53 | 21 | 14 | 7 | 12 |
| KZQ206-08-02 | | R1/4 | 53 | 23 | 14 | 9 | 14 |
| KZQ206-08-03 | | R3/8 | 53 | 24 | 14 | 10 | 17 |
| KZQ206-10-02 | 10 | R1/4 | 59 | 23 | 16 | 9 | 14 |
| KZQ206-10-03 | | R3/8 | 59 | 25 | 16 | 10 | 17 |
| KZQ206-10-04 | | R1/2 | 59 | 27 | 16 | 12 | 21 |
| KZQ206-12-02 | 12 | R1/4 | 63 | 26 | 18 | 9 | 17 |
| KZQ206-12-03 | | R3/8 | 63 | 27 | 18 | 10 | 17 |
| KZQ206-12-04 | | R1/2 | 63 | 29 | 18 | 12 | 21 |

• KZQ207 十字四通金属接头

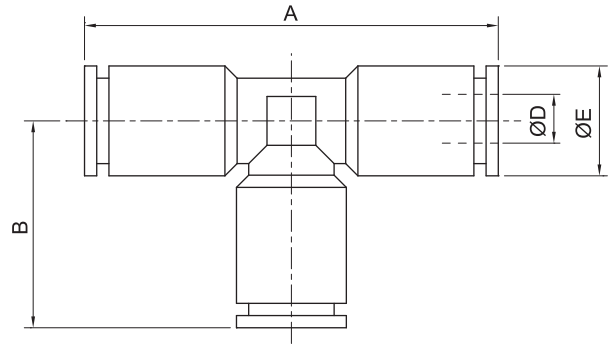


| 型号 | D | K | A | B | C | E | L | W |
|--------------|----|--------|----|----|------|----|----|----|
| KZQ207-04-M5 | 4 | M5X0.8 | 38 | 19 | 15 | 9 | 5 | 10 |
| KZQ207-04-01 | | R1/8 | 38 | 19 | 17.5 | 9 | 7 | 10 |
| KZQ207-06-01 | 6 | R1/8 | 46 | 23 | 19 | 12 | 7 | 12 |
| KZQ207-06-02 | | R1/4 | 46 | 23 | 21 | 12 | 9 | 14 |
| KZQ207-08-02 | 8 | R1/4 | 50 | 25 | 24.5 | 14 | 9 | 14 |
| KZQ207-08-03 | | R3/8 | 50 | 25 | 26 | 14 | 10 | 17 |
| KZQ207-10-02 | 10 | R1/4 | 60 | 30 | 26 | 16 | 9 | 14 |
| KZQ207-10-03 | | R3/8 | 60 | 30 | 28 | 16 | 10 | 17 |
| KZQ207-12-04 | 12 | R1/2 | 60 | 30 | 30 | 18 | 12 | 22 |

金属快速接头 KZQ 系列

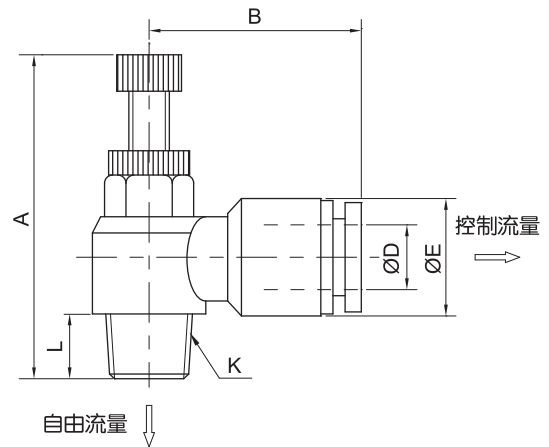
外形尺寸 (mm)

• KZQ208 T 型三通金属接管



| 型号 | D | A | B | E |
|-----------|----|----|----|----|
| KZQ208-04 | 4 | 38 | 19 | 9 |
| KZQ208-06 | 6 | 46 | 23 | 12 |
| KZQ208-08 | 8 | 50 | 25 | 14 |
| KZQ208-10 | 10 | 60 | 30 | 16 |
| KZQ208-12 | 12 | 60 | 30 | 18 |

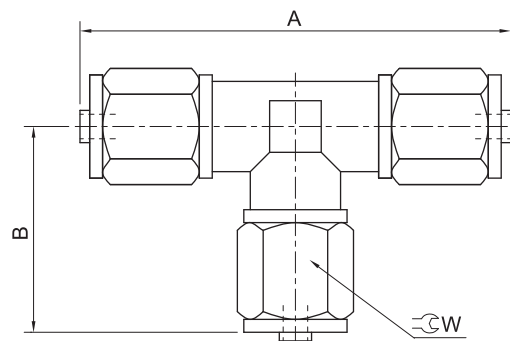
• KZQ209 带节流阀的金属接头 (排气控制型)



| 型号 | D | K | A | B | E | L |
|--------------|----|--------|----|----|----|----|
| KZQ209-04-M5 | 4 | M5X0.8 | 26 | 24 | 9 | 5 |
| KZQ209-06-01 | 6 | R1/8 | 37 | 31 | 12 | 7 |
| KZQ209-06-02 | | R1/4 | 37 | 32 | 12 | 9 |
| KZQ209-08-01 | 8 | R1/8 | 39 | 32 | 13 | 7 |
| KZQ209-08-02 | | R1/4 | 39 | 33 | 13 | 9 |
| KZQ209-10-02 | 10 | R1/4 | 45 | 36 | 16 | 9 |
| KZQ209-10-03 | | R3/8 | 46 | 38 | 16 | 10 |
| KZQ209-12-03 | 12 | R3/8 | 46 | 39 | 18 | 10 |
| KZQ209-12-04 | | R1/2 | 48 | 41 | 18 | 12 |

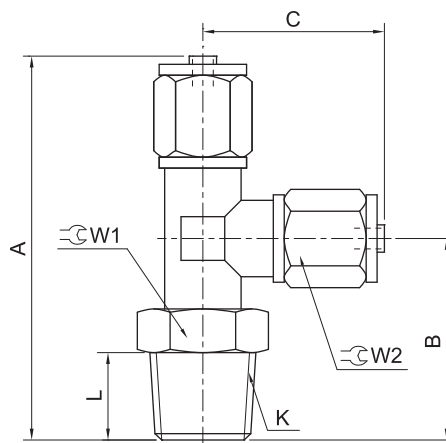
外形尺寸 [mm]

• KZQ210 速锁母式 T 型正三通金属接头



| 型号 | 软管外径 \varnothing | 软管内径 \varnothing | A | B | W |
|-----------|--------------------|--------------------|----|------|----|
| KZQ210-04 | 4 | 2.5 | 32 | 16 | 8 |
| KZQ210-06 | 6 | 4 | 34 | 17 | 10 |
| KZQ210-08 | 8 | 6 | 42 | 21 | 13 |
| KZQ210-10 | 10 | 6 | 50 | 25 | 15 |
| KZQ210-12 | 12 | 8 | 55 | 27.5 | 17 |

• KZQ211 锁母式 T 型侧三通金属接头

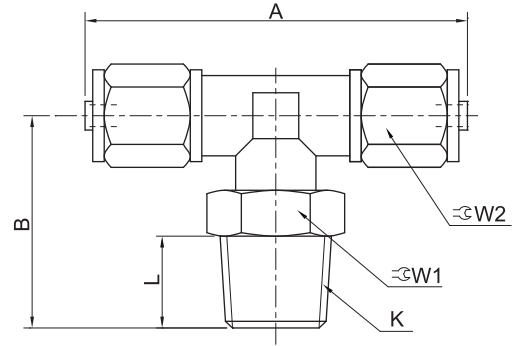


| 型号 | 软管外径 \varnothing | 软管内径 \varnothing | K | A | B | C | L | W1 | W2 |
|--------------|--------------------|--------------------|--------|------|------|------|----|----|----|
| KZQ211-04-M5 | 4 | 2.5 | M5X0.8 | 35 | 17 | 16 | 5 | 10 | 8 |
| KZQ211-06-01 | 6 | 4 | R1/8 | 38 | 19 | 17 | 7 | 10 | 10 |
| KZQ211-08-01 | 8 | 6 | R1/8 | 43 | 20 | 21 | 7 | 12 | 13 |
| KZQ211-08-02 | | | R1/4 | 45 | 22 | 21 | 9 | 14 | 13 |
| KZQ211-10-02 | 10 | 6 | R1/4 | 48.5 | 23.5 | 25 | 9 | 14 | 15 |
| KZQ211-10-03 | | | R3/8 | 49.5 | 24.5 | 25 | 10 | 17 | 15 |
| KZQ211-12-03 | 12 | 8 | R3/8 | 55 | 27 | 27.5 | 10 | 17 | 17 |
| KZQ211-12-04 | | | R1/2 | 57 | 29 | 27.5 | 12 | 21 | 17 |

金属快速接头 KZQ 系列

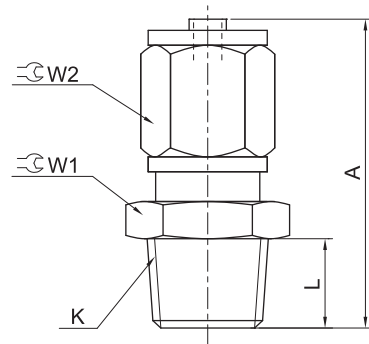
外形尺寸 (mm)

• KZQ212 锁母式 T 型终端三通金属接头



| 型号 | 软管外径 \varnothing | 软管内径 \varnothing | K | A | B | L | W1 | W2 |
|--------------|--------------------|--------------------|--------|----|------|----|----|----|
| KZQ212-04-M5 | 4 | 2.5 | M5X0.8 | 36 | 17 | 5 | 10 | 8 |
| KZQ212-06-01 | 6 | 4 | R1/8 | 38 | 19 | 7 | 10 | 10 |
| KZQ212-08-01 | 8 | 6 | R1/8 | 46 | 20 | 7 | 12 | 13 |
| KZQ212-08-02 | | | R1/4 | 46 | 22 | 9 | 14 | 13 |
| KZQ212-10-02 | 10 | 6 | R1/4 | 50 | 23.5 | 9 | 14 | 15 |
| KZQ212-10-03 | | | R3/8 | 50 | 24.5 | 10 | 17 | 15 |
| KZQ212-12-03 | 12 | 8 | R3/8 | 56 | 27 | 10 | 17 | 17 |
| KZQ212-12-04 | | | R1/2 | 56 | 29 | 12 | 21 | 19 |

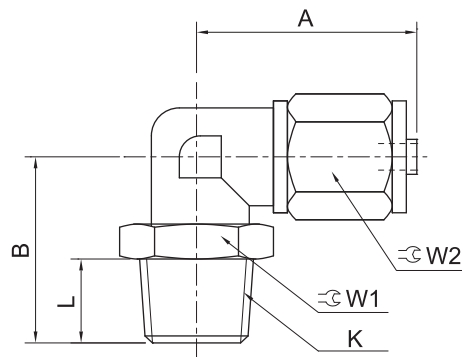
• KZQ213 锁母式直通终端金属接头



| 型号 | 软管外径 \varnothing | 软管内径 \varnothing | K | A | L | W1 | W2 |
|--------------|--------------------|--------------------|--------|------|----|----|----|
| KZQ213-04-M5 | 4 | 2.5 | M5X0.8 | 19 | 5 | 8 | 8 |
| KZQ213-04-01 | | | R1/8 | 21.5 | 7 | 10 | 8 |
| KZQ213-06-M5 | 6 | 4 | M5X0.8 | 20 | 5 | 9 | 10 |
| KZQ213-06-01 | | | R1/8 | 22.5 | 7 | 10 | 10 |
| KZQ213-08-01 | 8 | 6 | R1/8 | 25 | 7 | 12 | 13 |
| KZQ213-08-02 | | | R1/4 | 27.5 | 9 | 14 | 13 |
| KZQ213-10-02 | 10 | 6 | R1/4 | 29 | 9 | 14 | 15 |
| KZQ213-10-03 | | | R3/8 | 30 | 10 | 17 | 15 |
| KZQ213-12-03 | 12 | 8 | R3/8 | 32 | 10 | 17 | 17 |
| KZQ213-12-04 | | | R1/2 | 34 | 12 | 21 | 17 |

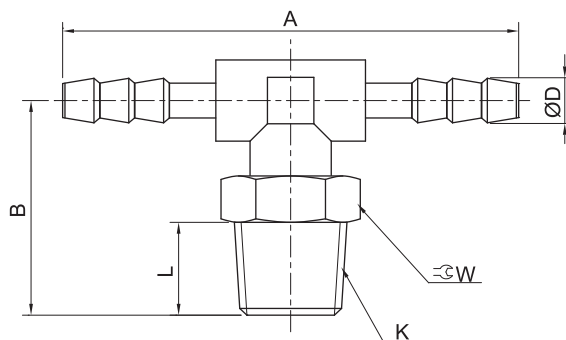
外形尺寸 (mm)

• KZQ214 锁母式直角终端金属接头



| 型号 | 软管外径 \varnothing | 软管内径 \varnothing | K | A | B | L | W1 | W2 |
|--------------|--------------------|--------------------|--------|----|------|----|----|----|
| KZQ214-04-M5 | 4 | 2.5 | M5X0.8 | 18 | 17 | 5 | 10 | 8 |
| KZQ214-06-01 | 6 | 4 | R1/8 | 19 | 19 | 7 | 10 | 10 |
| KZQ214-08-01 | 8 | 6 | R1/8 | 23 | 20 | 7 | 12 | 13 |
| KZQ214-08-02 | | | R1/4 | 23 | 22 | 9 | 14 | 13 |
| KZQ214-10-02 | 10 | 6 | R1/4 | 25 | 23.5 | 9 | 14 | 15 |
| KZQ214-10-03 | | | R3/8 | 25 | 24.5 | 10 | 17 | 15 |
| KZQ214-12-03 | 12 | 8 | R3/8 | 28 | 27 | 10 | 17 | 17 |
| KZQ214-12-04 | | | R1/2 | 28 | 29 | 12 | 21 | 17 |

• KZQ215 外插式三通金属接头

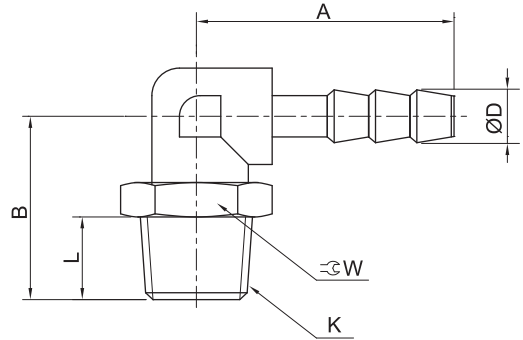


| 型号 | 软管内径 D | K | A | B | L | W |
|--------------|--------|--------|----|------|----|----|
| KZQ215-03-M5 | 2.5 | M5X0.8 | 42 | 15 | 5 | 8 |
| KZQ215-04-01 | 4 | R1/8 | 46 | 17.5 | 7 | 12 |
| KZQ215-06-01 | 6 | R1/8 | 48 | 21.5 | 7 | 14 |
| KZQ215-06-02 | | R1/4 | 48 | 21.5 | 9 | 14 |
| KZQ215-08-02 | 8 | R1/4 | 56 | 23.5 | 9 | 17 |
| KZQ215-08-03 | | R3/8 | 56 | 23.5 | 10 | 17 |
| KZQ215-10-03 | 10 | R3/8 | 66 | 25 | 10 | 21 |
| KZQ215-10-04 | | R1/2 | 66 | 25 | 12 | 21 |

金属快速接头 KZQ 系列

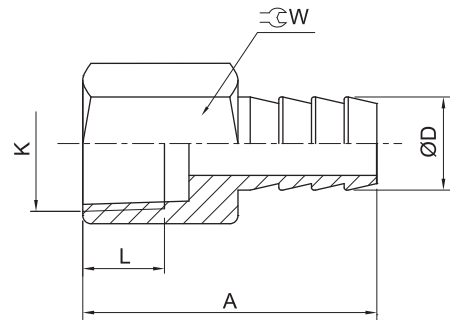
外形尺寸 [mm]

• KZQ216 外插式直角终端金属接头



| 型号 | 公称内径 D | K | A | B | L | W |
|--------------|--------|--------|----|------|----|----|
| KZQ216-03-M5 | 2.5 | M5X0.8 | 17 | 15 | 5 | 8 |
| KZQ216-04-01 | 4 | R1/8 | 19 | 17.5 | 7 | 12 |
| KZQ216-06-01 | 6 | R1/8 | 24 | 21.5 | 7 | 14 |
| KZQ216-06-02 | | R1/4 | 24 | 21.5 | 9 | 14 |
| KZQ216-08-02 | 8 | R1/4 | 28 | 23.5 | 9 | 17 |
| KZQ216-08-03 | | R3/8 | 28 | 23.5 | 10 | 17 |
| KZQ216-10-03 | 10 | R3/8 | 33 | 25 | 10 | 19 |
| KZQ216-10-04 | | R1/2 | 33 | 25 | 12 | 19 |
| KZQ216-20-06 | 20 | R3/4 | 42 | 38 | 14 | 27 |

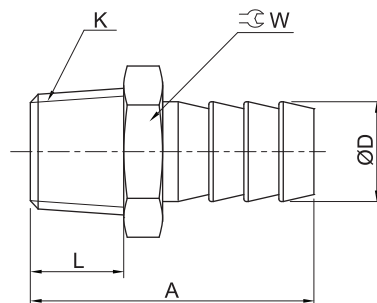
• KZQ217 外插式直通内牙金属接头



| 型号 | 公称内径 D | K | A | L | W |
|--------------|--------|--------|----|----|----|
| KZQ217-03-M5 | 2.5 | M5X0.8 | 17 | 5 | 9 |
| KZQ217-04-01 | 4 | Rc1/8 | 23 | 7 | 13 |
| KZQ217-06-01 | 6 | Rc1/8 | 28 | 7 | 13 |
| KZQ217-08-02 | 8 | Rc1/4 | 33 | 9 | 16 |
| KZQ217-10-03 | 10 | Rc3/8 | 36 | 10 | 19 |

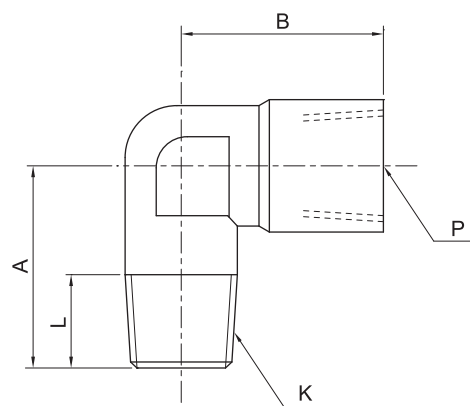
外形尺寸 [mm]

• KZQ218 外插式直通外牙金属接头



| 型号 | 公称内径 D | K | A | L | W |
|--------------|--------|--------|----|----|----|
| KZQ218-03-M5 | 2.5 | M5X0.8 | 17 | 5 | 8 |
| KZQ218-04-01 | 4 | R1/8 | 23 | 7 | 12 |
| KZQ218-06-01 | 6 | R1/8 | 28 | 7 | 12 |
| KZQ218-08-02 | 8 | R1/4 | 33 | 9 | 14 |
| KZQ218-10-03 | 10 | R3/8 | 36 | 10 | 17 |
| KZQ218-20-06 | 20 | R3/4 | 45 | 14 | 27 |
| KZQ218-25-10 | 25 | R1 | 55 | 17 | 36 |

• KZQ219 转接头



| 型号 | K | P | A | B | L |
|-----------|--------|-------|------|------|----|
| KZQ219-M5 | M5X0.8 | M5 | 18.5 | 18.5 | 6 |
| KZQ219-01 | R1/8 | Rc1/8 | 19.5 | 19.5 | 9 |
| KZQ219-02 | R1/4 | Rc1/4 | 23.5 | 23.5 | 11 |
| KZQ219-03 | R3/8 | Rc3/8 | 26 | 26 | 13 |
| KZQ219-04 | R1/2 | Rc1/2 | 28 | 28 | 15 |