

Individual mounting

Sub-base non "plug-in"	Sub-base "plug-in"	Sub-base/manifold base non "plug-in" with latching solenoid	Sub-base/manifold base "plug-in" with latching solenoid
------------------------	--------------------	---	---

Manifold mounting

Manifold base non "plug-in"	Manifold base "plug-in"	Sub-base/manifold base non "plug-in" with latching solenoid	Sub-base/manifold base "plug-in" with latching solenoid
-----------------------------	-------------------------	---	---

Series

33

34

36

32

37

38

52

67

69

44

46

42

47

48P

48

400

92

93

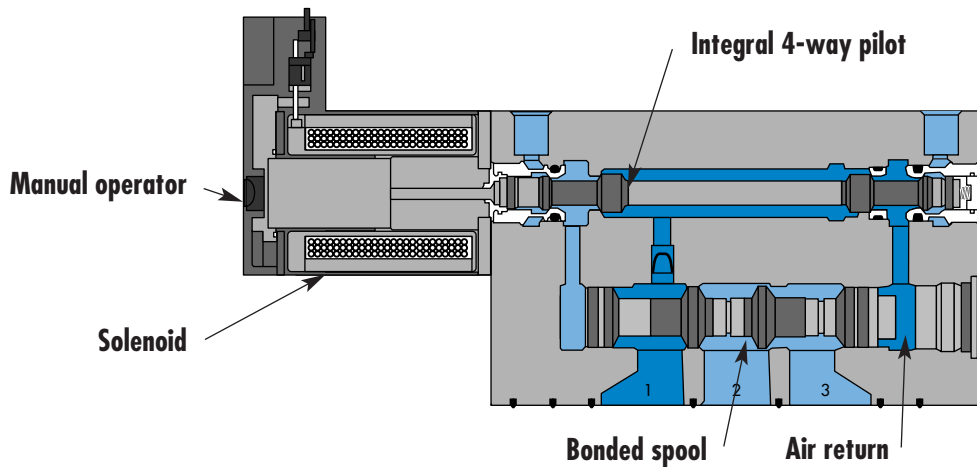
ISO 01

ISO 02

ISO 1

ISO 2

ISO 3



SERIES FEATURES

- High force MACSOLENOID®.
- Integral 4-way pilot design.
- Internal or external pilot.
- Normally open or normally closed function.
- Universal function (external pilot).
- Rectified AC voltage.
- Latching solenoid technology.



Direct solenoid and solenoid pilot operated valves

Function	Port size	Flow [Max]	Individual mounting	Series
3/2 NO-NC	1/8"	0.4 C_v	Sub-base non "plug-in"	

OPERATIONAL BENEFITS

1. 3-way valve with 4-way integral pilot.
2. 10 mm valve (stacks on 10.5 mm centers).
3. High flow (up to 0.4 C_v).
4. Fast, repeatable response times.
5. Maximum shifting forces in both directions.



- 33
- 34
- 36
- 32**
- 37
- 38
- 52
- 67
- 69
- 44
- 46
- 42
- 47
- 48P

HOW TO ORDER

Port size	Pilot air	NO valve	NC valve	Universal valve
Valve less base	Internal	32B-BMA-000-G XXX-XXX	32B-AMA-000-G XXX-XXX	32B-GMB-000-G XXX-XXX
	External	32B-BMB-000-G XXX-XXX	32B-AMB-000-G XXX-XXX	
1/8" NPTF	Internal	32B-BMA-CAL-G XXX-XXX	32B-AMA-CAL-G XXX-XXX	32B-GMB-CAM-G XXX-XXX
	External	32B-BMB-CAM-G XXX-XXX	32B-AMB-CAM-G XXX-XXX	

Note : Above codes are for side port.

STANDARD SOLENOID OPERATOR >

G **XXX-XXX***

XX Voltage	X Wire length	X Manual operator	XX Electrical connection
AA 120 VAC (2.5W)	A 18"	1 Non-locking recessed	BA Flying leads
DA 24 VDC (1.0W)	B 24"	2 Locking recessed	BT Flying leads with light
DC 24 VDC (1.8W)	C 36"		GA MAC JAC Solenoid plug-in
DD 24 VDC (2.5W)			GB MAC JAC Solenoid plug-in w/Diode
DF 24 VDC (4.0W)			GC MAC JAC Solenoid plug-in w/MOV
			GD MAC JAC Solenoid plug-in w/LED
			GE MAC JAC Solenoid plug-in w/Diode & LED
			GF MAC JAC Solenoid plug-in w/MOV & LED
			GG MAC JAC Solenoid plug-in w/Rectifier
			GH MAC JAC Solenoid plug-in w/Rectifier & LED
			KA Plug-in wire assy.
			KT Plug-in wire assy. with light
			KD Plug-in wire assy. with rectifier & light & ground

Note : AC voltage requires connector with rectifier.

* Other options available, see page 311.

Latching solenoid also available, see page 41.

With MAC JAC electrical connector washdown capability is possible.

Consult factory for modification number.

OPTIONS

Pilot/Base Configuration :

32B-**M**-**x**-**A**-G**XXX-XXX**

- A** Individual base – Side port
- B** Individual base – Bottom port
- M** Pilot exhaust muffled
- P** Pilot exhaust piped (# 10-32)
- U** Pilot exhaust to main exhaust (not available with external pilot)

- 48
- 400
- 92
- 93
- ISO 01
- ISO 02
- ISO 1
- ISO 2
- ISO 3

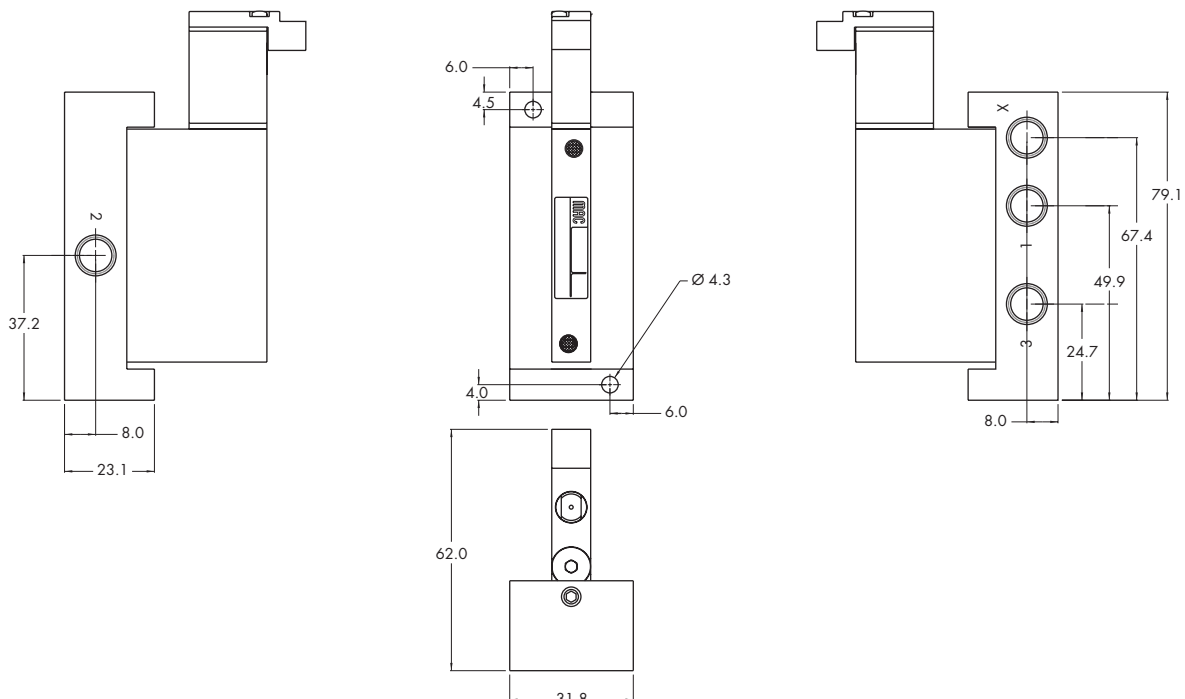
TECHNICAL DATA

Fluid :	Compressed air, vacuum, inert gases
Pressure range :	Internal Pilot : 20 to 120 PSI External Pilot : Vacuum to 120 PSI
Pilot pressure :	20 to 120 PSI
Lubrication :	Not required, if used select a medium aniline point lubricant (between 180°F and 210°F)
Filtration :	40 μ
Temperature range :	0°F to 120°F (-18°C to +50°C)
Flow :	1/8" : (0.40 C _v)
Coil :	Class A wire (#22 AWG x 18), continuous duty
Voltage range :	-15% to +10% of nominal voltage
Power :	1.0 to 4.0 W
Response times : (with 4 W coil)	Energize : 5 ms De-energize : 5 ms

Options : • BSPP threads

DIMENSIONS

Dimensions shown are metric (mm)



Function	Port size	Flow [Max]	Individual mounting	Series
3/2 NO-NC	# 10-32 - 1/4" O.D. tube receptacle	0.4 C_v	Sub-base "plug-in"	

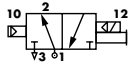
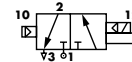
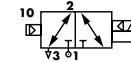
OPERATIONAL BENEFITS

1. 3-way valve with 4-way integral pilot.
2. 10 mm valve (stacks on 10.5 mm centers).
3. High flow (up to 0.4 C_v).
4. Fast, repeatable response times.
5. Maximum shifting forces in both directions.



33
34
36
32
37
38
52
67
69
44
46
42
47
48P

HOW TO ORDER

Port size	Pilot air	NO valve	NC valve	Universal valve
				
Valve less base	Internal	32B-BMA-000-G XX P- XXX	32B-AMA-000-G XX P- XXX	
	External	32B-BMB-000-G XX P- XXX	32B-AMB-000-G XX P- XXX	32B-GMB-000-G XX P- XXX
# 10-32	Internal	32B-BMA-AAA-G XX P- XXX	32B-AMA-AAA-G XX P- XXX	
	External	32B-BMB-AAB-G XX P- XXX	32B-AMB-AAB-G XX P- XXX	32B-GMB-AAB-G XX P- XXX
1/4" O.D. Tube receptacle	Internal	32B-BMA-EAA-G XX P- XXX	32B-AMA-EAA-G XX P- XXX	
	External	32B-BMB-EAB-G XX P- XXX	32B-AMB-EAB-G XX P- XXX	32B-GMB-EAB-G XX P- XXX

Note : Above codes are for side port.

STANDARD SOLENOID OPERATOR >

G **XX** P-**XXX***

XX Voltage	X Manual operator	XX Electrical connection
AA 120 VAC (2.5W)	1 Non-locking recessed	SA Base plug-in
DA 24 VDC (1.0W)	2 Locking recessed	SJ Base plug-in with light
DC 24 VDC (1.8W)		SS Base plug-in with rectifier & light & ground
DD 24 VDC (2.5W)		
DF 24 VDC (4.0W)		

Note : AC voltage requires connector with rectifier.

* Other options available, see page 311.

Latching solenoid also available, see page 43.

Washdown capability is possible, consult factory for modification number.

48
400
92
93
ISO 01
ISO 02
ISO 1
ISO 2
ISO 3

OPTIONS

Pilot/Base Configuration :

32B-**xMx-xAx-GXX**P-**XXX**

- A** Individual base – Side port
- B** Individual base – Bottom port
- M** Pilot exhaust muffled
- P** Pilot exhaust piped (# 10-32)
- U** Pilot exhaust to main exhaust (not available with external pilot)

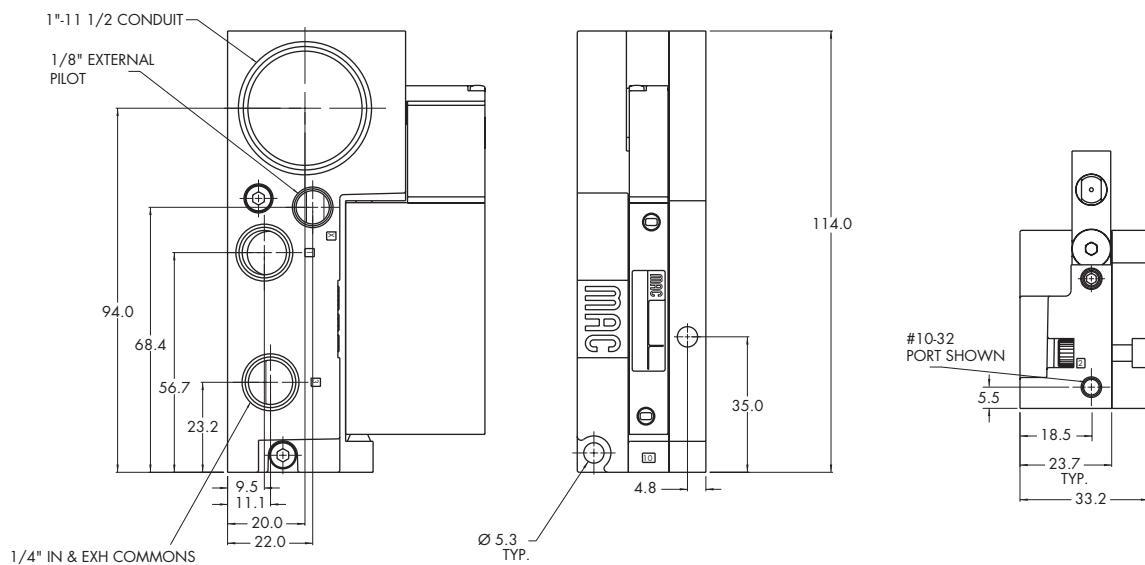
TECHNICAL DATA

Fluid :	Compressed air, vacuum, inert gases
Pressure range :	Internal Pilot : 20 to 120 PSI External Pilot : Vacuum to 120 PSI
Pilot pressure :	20 to 120 PSI
Lubrication :	Not required, if used select a medium aniline point lubricant (between 180°F and 210°F)
Filtration :	40 μ
Temperature range :	0°F to 120°F (-18°C to +50°C)
Flow :	# 10-32 : (0.35 C _v) - 1/4 tube receptacle : (0.40 C _v)
Coil :	Class A continuous duty, #22 AWG x 12 base leads
Voltage range :	-15% to +10% of nominal voltage
Power :	1.0 to 4.0 W
Response times : (with 4 W coil)	Energize : 5 ms De-energize : 5 ms

Options : • M5 port • M7 port • 6 mm O.D. tube receptacle

DIMENSIONS

Dimensions shown are metric (mm)



Function	Port size	Flow [Max]	Individual mounting	Series
3/2 NO-NC	# 10-32 - 1/4" O.D. tube receptacle	0.4 C_v	Manifold base non "plug-in"	

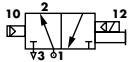
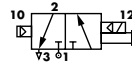
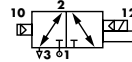
OPERATIONAL BENEFITS

1. 3-way valve with 4-way integral pilot.
2. 10 mm valve (stacks on 10.5 mm centers).
3. High flow (up to 0.4 C_v).
4. Fast, repeatable response times.
5. Maximum shifting forces in both directions.



33
34
36
32
37
38
52
67
69
44
46
42
47
48P

HOW TO ORDER

Port size	Pilot air	NO valve	NC valve	Universal valve
				
Valve less base	Internal	32B-BMA-000-G XXX-XXX	32B-AMA-000-G XXX-XXX	
	External	32B-BMB-000-G XXX-XXX	32B-AMB-000-G XXX-XXX	32B-GMB-000-G XXX-XXX
# 10-32	Internal	32B-BMA-AJL-G XXX-XXX	32B-AMA-AJL-G XXX-XXX	
	External	32B-BMB-AJM-G XXX-XXX	32B-AMB-AJM-G XXX-XXX	32B-GMB-AJM-G XXX-XXX
1/4" O.D. Tube receptacle	Internal	32B-BMA-EJL-G XXX-XXX	32B-AMA-EJL-G XXX-XXX	
	External	32B-BMB-EJM-G XXX-XXX	32B-AMB-EJM-G XXX-XXX	32B-FMB-EJM-G XXX-XXX

Note : Above codes are for side port.

STANDARD SOLENOID OPERATOR >

G **XXX-XXX***

XX Voltage	X Wire length	X Manual operator	XX Electrical connection
AA 120 VAC (2.5W)	A 18"	1 Non-locking recessed	BA Flying leads
DA 24 VDC (1.0W)	B 24"	2 Locking recessed	BT Flying leads with light
DC 24 VDC (1.8W)	C 36"		GA MAC JAC Solenoid plug-in
DD 24 VDC (2.5W)			GB MAC JAC Solenoid plug-in w/Diode
DF 24 VDC (4.0W)			GC MAC JAC Solenoid plug-in w/MOV
			GD MAC JAC Solenoid plug-in w/LED
			GE MAC JAC Solenoid plug-in w/Diode & LED
			GF MAC JAC Solenoid plug-in w/MOV & LED
			GG MAC JAC Solenoid plug-in w/Rectifier
			GH MAC JAC Solenoid plug-in w/Rectifier & LED
			KA Plug-in wire assy.
			KT Plug-in wire assy. with light
			KD Plug-in wire assy. with rectifier & light & ground

48
400
92
93
ISO 01
ISO 02
ISO 1
ISO 2
ISO 3

Note : AC voltage requires connector with rectifier.

* Other options available, see page 311.

Latching solenoid also available, see page 41.

With MAC JAC electrical connector washdown capability is possible.

Consult factory for modification number.

OPTIONS

Base only :

32B-000-**XXX**
(i.e. 32B-000-AJL)

Base/Pilot Configuration :

32B-**XMx-JX-GXXX-XXX**

- J** Manifold base – Side port
- K** Manifold base – Bottom port
- M** Pilot exhaust muffled
- P** Pilot exhaust piped (# 10-32)
- U** Pilot exhaust to main exhaust (not available with external pilot)

Note : Manifold assemblies require an end plate kit :

M-32003-01-01 (Internal pilot)
M-32003-02-01 (External pilot)

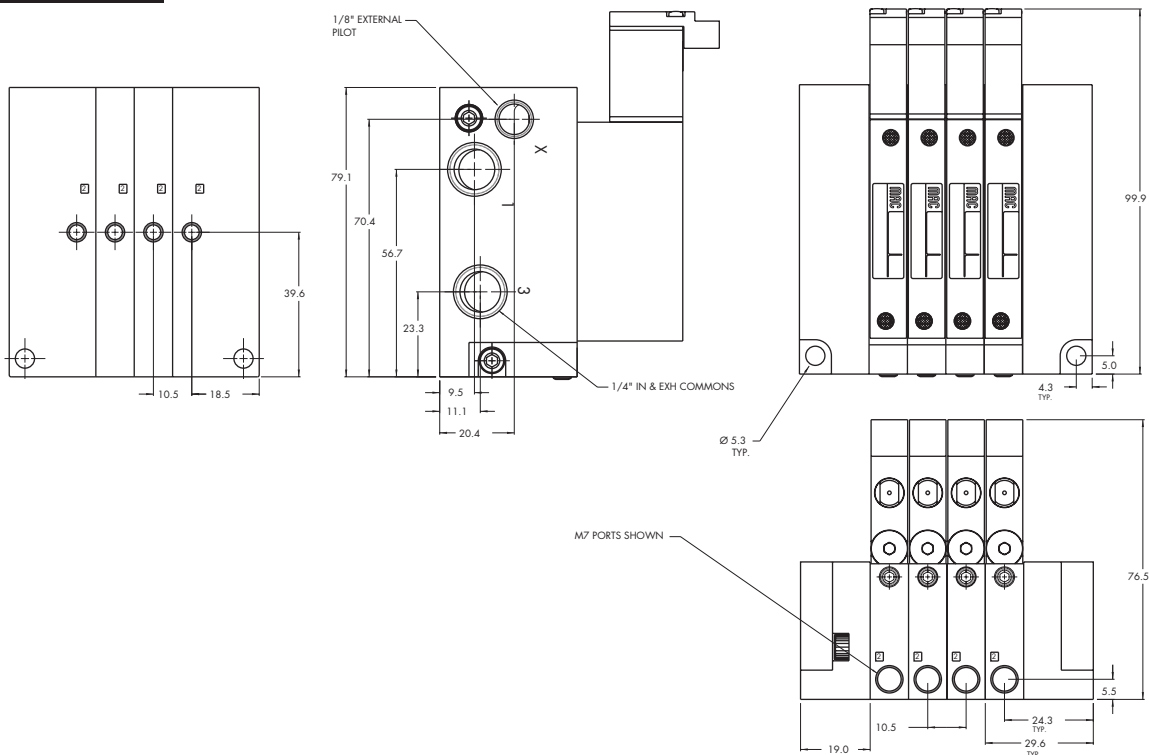
TECHNICAL DATA

Fluid :	Compressed air, vacuum, inert gases
Pressure range :	Internal Pilot : 20 to 120 PSI External Pilot : Vacuum to 120 PSI
Pilot pressure :	20 to 120 PSI
Lubrication :	Not required, if used select a medium aniline point lubricant (between 180°F and 210°F)
Filtration :	40 μ
Temperature range :	0°F to 120°F (-18°C to +50°C)
Flow :	# 10-32 : (0.35 C _v) - 1/4 tube receptacle : (0.40 C _v)
Coil :	Class A wire (#22 AWG x 18), continuous duty
Voltage range :	-15% to +10% of nominal voltage
Power :	1.0 to 4.0 W
Response times : (with 4 W coil)	Energize : 5 ms De-energize : 5 ms

- Options :
- M5 port • M7 port • 6 mm O.D. tube receptacle
 - Inlet/Exhaust Isolator : 28454

DIMENSIONS

Dimensions shown are metric (mm)





Direct solenoid and solenoid pilot operated valves

Function	Port size	Flow [Max]	Individual mounting	Series
3/2 NO-NC	# 10-32 - 1/4" O.D. tube receptacle	0.4 C_v	Manifold base "plug-in"	

OPERATIONAL BENEFITS

1. 3-way valve with 4-way integral pilot.
2. 10 mm valve (stacks on 10.5 mm centers).
3. High flow (up to 0.4 C_v).
4. Fast, repeatable response times.
5. Maximum shifting forces in both directions.



- 33
- 34
- 36
- 32**
- 37
- 38
- 52
- 67
- 69
- 44
- 46
- 42
- 47
- 48P

HOW TO ORDER

Port size	Pilot air	NO valve	NC valve	Universal valve
Valve less base	Internal	32B-BMA-000-G XX P- XXX	32B-AMA-000-G XX P- XXX	
	External	32B-BMB-000-G XX P- XXX	32B-AMB-000-G XX P- XXX	32B-GMB-000-G XX P- XXX
# 10-32	Internal	32B-BMA-AJA-G XX P- XXX	32B-AMA-AJA-G XX P- XXX	
	External	32B-BMB-AJB-G XX P- XXX	32B-AMB-AJB-G XX P- XXX	32B-GMB-AJB-G XX P- XXX
1/4" O.D. Tube receptacle	Internal	32B-BMA-EJA-G XX P- XXX	32B-AMA-EJA-G XX P- XXX	
	External	32B-BMB-EJB-G XX P- XXX	32B-AMB-EJB-G XX P- XXX	32B-GMB-EJB-G XX P- XXX

Note : Above codes are for side port.

STANDARD SOLENOID OPERATOR >

G **XX** P-**XXX***

XX Voltage	X Manual operator	XX Electrical connection
AA 120 VAC (2.5W)	1 Non-locking recessed	SA Base plug-in
DA 24 VDC (1.0W)	2 Locking recessed	SJ Base plug-in with light
DC 24 VDC (1.8W)		SS Base plug-in with rectifier & light & ground
DD 24 VDC (2.5W)		
DF 24 VDC (4.0W)		

Note : AC voltage requires connector with rectifier.

* Other options available, see page 311.

Latching solenoid also available, see page 43.

Washdown capability is possible, consult factory for modification number.

- 48
- 400
- 92
- 93
- ISO 01
- ISO 02
- ISO 1
- ISO 2
- ISO 3

OPTIONS

Base only :

32B-000-**XXX**
(i.e. 32B-000-AJA)

Base Configuration :

32B-**XXX-XJ**X-G**XX**P-**XXX**

- J** Manifold base – Side port
- K** Manifold base – Bottom port
- L** Left end manifold base – Side port
- M** Left end manifold base – Bottom port
- N** Right end manifold base – Side port
- P** Right end manifold base – Bottom port

Note : Manifold assemblies consist of (1) left end manifold, (1) right end manifold and middle station manifolds (options "J" or "K").

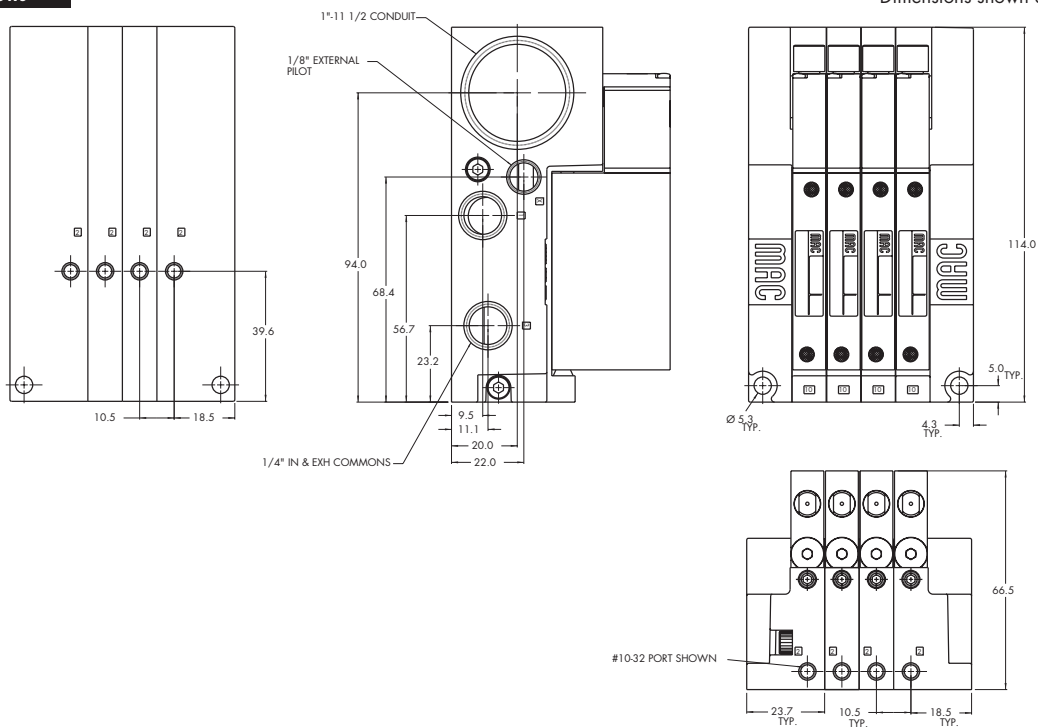
TECHNICAL DATA

Fluid :	Compressed air, vacuum, inert gases
Pressure range :	Internal Pilot : 20 to 120 PSI External Pilot : Vacuum to 120 PSI
Pilot pressure :	20 to 120 PSI
Lubrication :	Not required, if used select a medium aniline point lubricant (between 180°F and 210°F)
Filtration :	40 μ
Temperature range :	0°F to 120°F (-18°C to +50°C)
Flow :	# 10-32 : (0.35 C _v) - 1/4 tube receptacle : (0.40 C _v)
Coil :	Class A continuous duty, #22 AWG x 12 base leads
Voltage range :	-15% to +10% of nominal voltage
Power :	1.0 to 4.0 W
Response times : (with 4 W coil)	Energize : 5 ms De-energize : 5 ms

- Options :
- M5 port • M7 port • 6 mm O.D. tube receptacle
 - Inlet/Exhaust Isolator : 28454

DIMENSIONS

Dimensions shown are metric (mm)





Direct solenoid and solenoid pilot operated valves

Function	Port size	Flow [Max]	Individual mounting	Series
3/2 NO-NC	# 10-32 - 1/4" O.D. tube receptacle	0.4 C_v	Sub-base/ manifold base non "plug-in" with latching solenoid	

OPERATIONAL BENEFITS

1. 3-way valve with 4-way integral pilot.
2. 10 mm valve (stacks on 10.5 mm centers).
3. High flow (up to 0.4 C_v).
4. Fast, repeatable response times.
5. Maximum shifting forces in both directions.



- 33
- 34
- 36
- 32**
- 37
- 38
- 52
- 67
- 69
- 44
- 46
- 42
- 47
- 48P

HOW TO ORDER

Port size	Pilot air	NO valve	NC valve
Valve less base	Internal	32A-BMA-000-Lxxx-xxx	32A-AMA-000-Lxxx-xxx
	External	32A-BMB-000-Lxxx-xxx	32A-AMB-000-Lxxx-xxx
# 10-32	Internal	32A-BMA-AAL-Lxxx-xxx	32A-AMA-AAL-Lxxx-xxx
	External	32A-BMB-AAM-Lxxx-xxx	32A-AMB-AAM-Lxxx-xxx
1/4" O.D.	Internal	32A-BMA-EAL-Lxxx-xxx	32A-AMA-EAL-Lxxx-xxx
Tube receptacle	External	32A-BMB-EAM-Lxxx-xxx	32A-AMB-EAM-Lxxx-xxx

Note : Above codes are for individual base and side port.

LATCHING SOLENOID OPERATOR >

L **xxx-xxx***

XX Voltage	X Wire length	X Manual operator	XX Electrical connection**
DF 24 VDC (4.0W)	A 18"	0 No operator	BA 2 Wire Flying leads
HA 24 VDC (1.95W)	B 24"		BJ 4 Wire Flying leads
	C 36"		KA 2 Wire Plug-in Assembly
			KE 4 Wire Plug-in Assembly
			LA 3 Wire plug-in assembly (Polarity Switching Cover)

- 48
- 400
- 92
- 93

* Other options available, see page 319.

** Latching 32 series with non plug-in base configuration must use "B", "K" or "L" type electrical connector.

OPTIONS

Pilot/Base Configuration :

32A-xMx-xAx-Lxxx-xxx

- A** Individual base – Side port
- B** Individual base – Bottom port
- J** Manifold base – Side port
- K** Manifold base – Bottom port
- M** Pilot exhaust muffled
- P** Pilot exhaust piped (# 10-32)
- U** Pilot exhaust to main exhaust (not available with external pilot)

Note : Manifold assemblies require an end plate kit: M-32003-01-01 (internal pilot)
M-32003-02-01 (external pilot)

- ISO 01
- ISO 02
- ISO 1
- ISO 2
- ISO 3

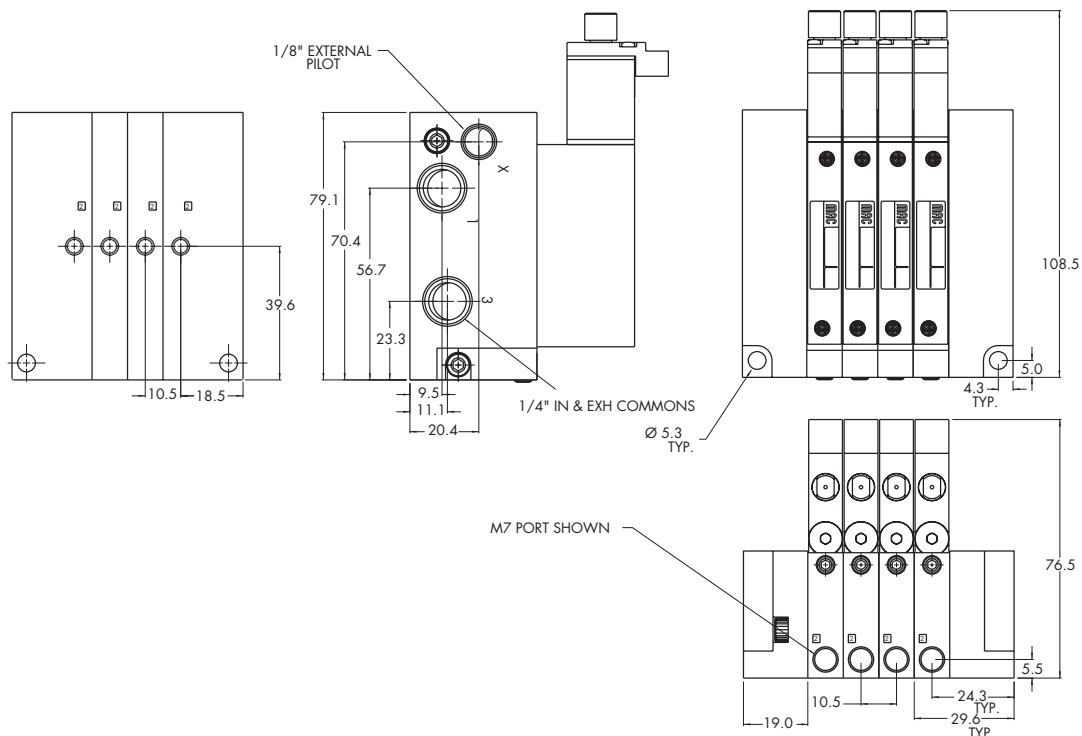
TECHNICAL DATA

Fluid :	Compressed air, vacuum, inert gases
Pressure range :	Internal Pilot : 20 to 120 PSI External Pilot : Vacuum to 120 PSI
Pilot pressure :	20 to 120 PSI
Lubrication :	Not required, if used select a medium aniline point lubricant (between 180°F and 210°F)
Filtration :	40 μ
Temperature range :	0°F to 120°F (-18°C to +50°C)
Flow :	# 10-32 : (0.35 C _v) - 1/4 tube receptacle : (0.40 C _v)
Coil :	Class A wire (#22 AWG x 18), continuous duty
Voltage range :	-15% to +10% of nominal voltage
Power :	1.95 to 4.0 W
Response times : (with 4 W coil)	Energize : 5 ms De-energize : 5 ms

Options : • M5 port • M7 port • 6 mm O.D. tube receptacle

DIMENSIONS

Dimensions shown are metric (mm)



Function	Port size	Flow [Max]	Individual/Manifold mounting	Series
3/2 NO-NC	# 10-32 - 1/4" O.D. tube receptacle	0.4 C_v	Sub-base/ manifold base "plug-in" with latching solenoid	

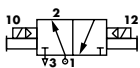
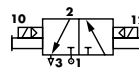
OPERATIONAL BENEFITS

1. 3-way valve with 4-way integral pilot.
2. 10 mm valve (stacks on 10.5 mm centers).
3. High flow (up to 0.4 C_v).
4. Fast, repeatable response times.
5. Maximum shifting forces in both directions.



33
34
36
32
37
38
52
67
69
44
46
42
47
48P

HOW TO ORDER

Port size	Pilot air	NO valve	NC valve
			
Valve less base	Internal	32A-BMA-000-LxxP-xxx	32A-AMA-000-LxxP-xxx
	External	32A-BMB-000-LxxP-xxx	32A-AMB-000-LxxP-xxx
# 10-32	Internal	32A-BMA-AAA-LxxP-xxx	32A-AMA-AAA-LxxP-xxx
	External	32A-BMB-AAB-LxxP-xxx	32A-AMB-AAB-LxxP-xxx
1/4" O.D.	Internal	32A-BMA-EAA-LxxP-xxx	32A-AMA-EAA-LxxP-xxx
Tube receptacle	External	32A-BMB-EAB-LxxP-xxx	32A-AMB-EAB-LxxP-xxx

Note : Above codes are for individual base and side port.

LATCHING SOLENOID OPERATOR >

L **XX** P-**XXX***

XX Voltage	X Manual operator	XX Electrical connection**
DF 24 VDC (4.0W)	0 No operator	DA Base/Manifold Plug-in
HA 24 VDC (1.95W)		DB Base/Manifold Plug-in w/Ground
		DC Base/Manifold Plug-in w/ Light
		DD Base/Manifold Plug-in w/ Light and Ground
		EA Base/Manifold Plug-in 3 Pin (Polarity Switching Cover)

48
400
92
93

* Other options available, see page 319.

**2 and 4 wire base must use "D" type electrical connector, 3 wire base must use "EA" type electrical connector.

OPTIONS

Pilot/Manifold/Base Configuration :

32A-**xMx-xAx**-LxxP-xxx

- A** Individual base – Side port
- B** Individual base – Bottom port
- J** Manifold base – Side port
- K** Manifold base – Bottom port
- L** Left end manifold base – Side port
- M** Left end manifold base – Bottom port
- N** Right end manifold base – Side port
- P** Right end manifold base – Bottom port
- M** Pilot exhaust muffled
- P** Pilot exhaust piped (#10-32)
- U** Pilot exhaust to main exhaust (not available with external pilot)

Manifold/Base Int./Ext. Pilot : (wire options)

32A-**xmx-xxA**-LxxP-xxx

- A** Plug-In Int. Pilot (2 Wire)**
- B** Plug-In Ext. Pilot (2 Wire)**
- C** Plug-In Int. Pilot (3 Wire)**
- D** Plug-In Ext. Pilot (3 Wire)**
- E** Plug-In Int. Pilot (4 Wire)**
- F** Plug-In Ext. Pilot (4 Wire)**

ISO 01
ISO 02
ISO 1
ISO 2
ISO 3

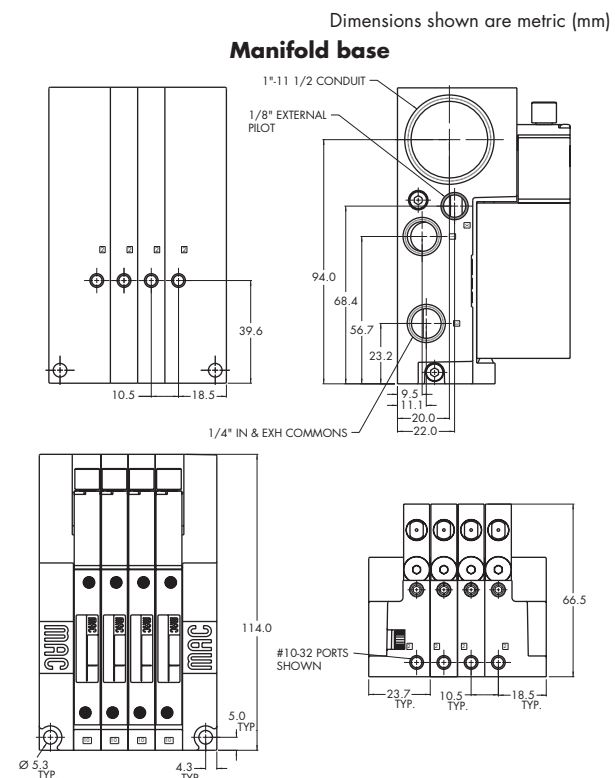
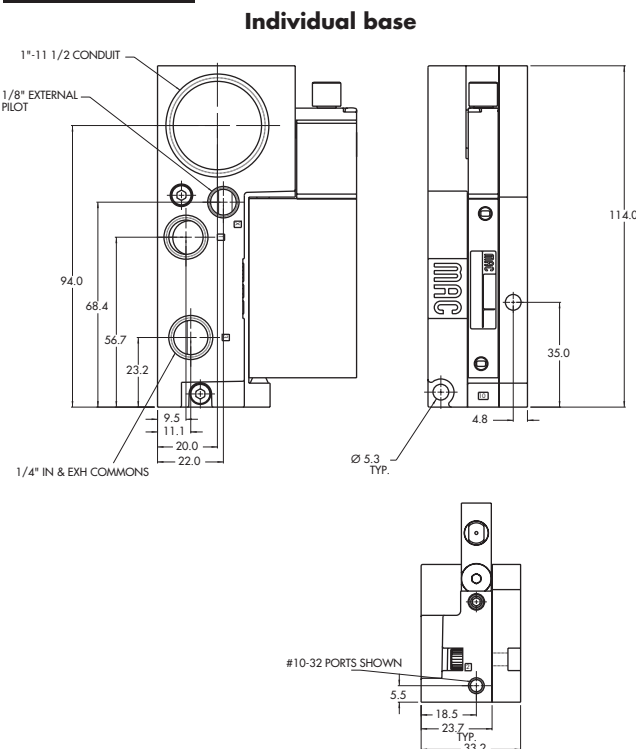
Note : Manifold assemblies consist of (1) left end manifold, (1) right end manifold, and middle station manifolds (option J or K).

TECHNICAL DATA

Fluid :	Compressed air, vacuum, inert gases
Pressure range :	Internal Pilot : 20 to 120 PSI External Pilot : Vacuum to 120 PSI
Pilot pressure :	20 to 120 PSI
Lubrication :	Not required, if used select a medium aniline point lubricant (between 180°F and 210°F)
Filtration :	40 μ
Temperature range :	0°F to 120°F (-18°C to +50°C)
Flow :	# 10-32 : (0.35 C _v) - 1/4 tube receptacle : (0.40 C _v)
Coil :	Class A continuous duty, #22 AWG x 12 base leads
Voltage range :	-15% to +10% of nominal voltage
Power :	1.95 to 4.0 W
Response times : (with 4 W coil)	Energize : 5 ms De-energize : 5 ms

Options : • M5 port • M7 port • 6 mm O.D. tube receptacle

DIMENSIONS



Codification table for voltages / Manual operator / Electrical connection

VALVE CODE > **G XX X-X XX**
1 2 3 4

OPTIONS AVAILABLE FOR

- Solenoid valves 32, 34, 38, 42, 44 & 48 Series

1. VOLTAGE

G-XX X-X XX	VOLTAGE	
AA	120 VAC (2.5W)	Requires electrical connector with rectifier
AC	24 VAC (4.0W)	Requires electrical connector with rectifier
DA	24 VDC (1.0W)	
DC	24 VDC (1.8W)	
DD	24 VDC (2.5W)	
DE	24 VDC (3.0W)	
DF	24 VDC (4.0W)	
DG	12 VDC (1.0W)	
DJ	12 VDC (1.8W)	
DK	12 VDC (2.5W)	
DM	12 VDC (3.0W)	
DN	12 VDC (4.0W)	
DR	6 VDC (1.8W)	
DS	6 VDC (3.0W)	
EB	48 VDC (1.8W)	
EC	48 VDC (3.0W)	
ED	120 VDC (2.5W)	
GD	12 VDC (0.5W)	34 series only
GE	24 VDC (0.5W)	34 series only

2. WIRE LENGTH

G-XX X-X XX	WIRE LENGTH	
0	No lead wires	(used only with "KJ" & "KM" connectors)
A	18" coil leads	
B	24" coil leads	
C	36" coil leads	
D	48" coil leads	
E	72" coil leads	
F	96" coil leads	
G	120" coil leads	
H	144" coil leads	
I	18" base leads	
2	24" base leads	
3	36" base leads	
4	48" base leads	
5	72" base leads	
6	96" base leads	
7	120" base leads	

3. MANUAL OPERATOR

G-XX X-X XX	MANUAL OPERATOR	
1	Non-locking recessed	
2	Locking recessed	
3	Non-locking extended	
4	Locking extended	

4. ELECTRICAL CONNECTION

G-XX X-X XX	ELECTRICAL CONNECTION	
BA	Flying leads	
BB	BA with ground wire	
BC	BA with light	
BD	BA with light and ground wire	
BE	BA with suppression diode	
BF	BA with suppression diode and ground wire	
BG	BA with suppression diode and light	
BH	BA with suppression diode, light and ground wire	
BN	BA with suppression diode and blocking diode	
BP	BA with suppression diode, blocking diode and ground wire	
BR	BA with suppression diode, blocking diode and light	
BS	BA with suppression diode, blocking diode, light and ground wire	
GA	MAC JAC Solenoid plug-in	
GB	MAC JAC Solenoid plug-in w/Diode	
GC	MAC JAC Solenoid plug-in w/MOV	
GD	MAC JAC Solenoid plug-in w/LED	
GE	MAC JAC Solenoid plug-in w/Diode & LED	
GF	MAC JAC Solenoid plug-in w/MOV & LED	
GG	MAC JAC Solenoid plug-in w/Rectifier	
GH	MAC JAC Solenoid plug-in w/Rectifier & LED	
KA	Solenoid plug-in wire assembly	
KB	KA with ground	
KC	KA with rectifier and light	
KD	KA with rectifier, light and ground	
KE	KA with suppression diode	
KF	KA with suppression diode and ground	
KJ	Solenoid plug-in housing without wire assembly	
KM	Solenoid plug-in housing with ground pin without wire assembly	
KN	KA with suppression diode and blocking diode	
KP	KA with suppression diode, blocking diode and ground	
KT	KA with light	
KU	KA with light and ground	
KV	KA with suppression diode and light	
KW	KA with suppression diode, light and ground	
KX	KA with suppression diode, blocking diode and light	
KY	KA with suppression diode, blocking diode, light & ground	

ELECTRICAL CONNECTION FOR PLUG-IN VALVES

G-XX X-X XX	PLUG-IN OPTIONS	
SB	Base plug-in with ground	
SC	Base plug-in with suppression and blocking diode	
SD	Base plug-in with suppression and blocking diode and ground	
SE	Base plug-in with MOV	
SF	Base plug-in with MOV and ground	
SG	Base plug-in with rectifier	
SH	Base plug-in with rectifier and ground	
SK	Base plug-in with light and ground	
SL	Base plug-in with suppression and blocking diode and light	
SM	Base plug-in with suppression and blocking diode with light and ground	
SN	Base plug-in with MOV and light	
SP	Base plug-in with MOV and light with ground	
SR	Base plug-in with rectifier and light	



Codification table for voltages / Manual operators / Electrical connections

VALVE CODE > **L XX X-X XX**
 1 2 3 4

OPTIONS AVAILABLE FOR

- Solenoid valves 32, 38, 42, 44, 47 & 48 Series

1. VOLTAGE (32, 38, 42, 44, 48 SERIES)		1. VOLTAGE (47 SERIES)	
L-XX X-X XX	VOLTAGE	L-XX X-X XX	VOLTAGE
DF	24VDC (4.0W)	DA	24VDC (5.2W)
DN	12VDC (4.0W)	DF	12VDC (5.2W)
HA	24VDC (1.95W)		
HE	12VDC (1.95W)		

2. WIRE LENGTH (all series)	
L-XX X-X XX	WIRE LENGTH
O	No lead wire
A	18"
B	24"
C	36"
D	48"
E	72"
F	96"
G	120"
H	144"

3. MANUAL OPERATOR (all series)	
L-XX X-X XX	MANUAL OPERATOR
O	No operator

4. ELECTRICAL CONNECTOR (32, 38, 42, 44 & 48 series)	
L-XX X-X XX	NON PLUG-IN
BA	2 wire flying leads
BB	2 wire flying leads with ground wire
BC	2 wire flying leads with light
BD	2 wire flying leads with light & ground wire
BJ	4 wire flying leads
BK	4 wire flying leads with ground
BL	4 wire flying leads with light
BM	4 wire flying leads with light & ground wire
KA	2 wire plug-in assembly
KB	2 wire plug-in assembly with ground wire
KC	2 wire plug-in assembly with light
KD	2 wire plug-in assembly with light and ground wire
KE	4 wire plug-in assembly
KF	4 wire plug-in assembly with ground wire
KG	4 wire plug-in assembly with light
KH	4 wire plug-in assembly and ground wire
LA	3 wire plug-in assembly (polarity switching cover)
L-XX X-X XX	PLUG-IN
*DA	Base plug-in
*DB	Base plug-in with ground pin
*DC	Base plug-in with light
*DD	Base plug-in with light & ground pin
**EA	Base plug-in 3 pin (Polarity switching cover)

4. ELECTRICAL CONNECTOR (47 series)	
L-XX X-X XX	NON PLUG-IN
BA	2 wire flying leads
BB	2 wire flying leads with ground wire
BC	2 wire flying leads with light
BD	2 wire flying leads with light & ground wire
BJ	4 wire flying leads
BK	4 wire flying leads with ground
BL	4 wire flying leads with light
BM	4 wire flying leads with light & ground wire
LA	3 wire plug-in assembly (Polarity switching cover)
MA	2 wire plug-in assembly
MB	2 wire plug-in assembly with ground wire
MC	2 wire plug-in assembly with light
MD	2 wire plug-in assembly with light and ground wire
ME	4 wire plug-in assembly
MF	4 wire plug-in assembly with ground wire
MG	4 wire plug-in assembly with light
MH	4 wire plug-in assembly with light and ground wire
L-XX X-X XX	PLUG-IN
EA	Base plug-in 3 pin (Polarity switching cover)
FA	Base plug-in with ground
FB	Base plug-in with ground & light
FC	Base plug-in 4 wire with ground
FD	Base plug-in 4 wire with light & ground

* Use these options for plug-in base with 2 or 4 wire assemblies

** Use this option for plug-in bases with 3 wire assemblies