

Direct solenoid and solenoid pilot operated valves

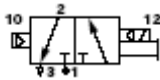
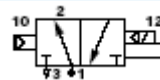
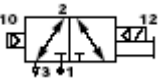
Function	Port size	Flow [Max]	Individual Mounting	Series
3/2, 2/2	1", 1 1/4", 1 1/2"	31.0 Cv	Inline	68

OPERATIONAL BENEFITS

1. The 4-way pilot develops maximum shifting forces both ways.
2. Balanced spool, immune to variations of pressure, also provides high flow.
3. Bonded spool with minimum friction, shifting in a glass like finished bore
4. Pilot with balanced popet, high flow, short and consistent response times.



HOW TO ORDER

Port size	Pilot air	Single operator NC	Single operator NO	Single operator Universal valve
				
1" NPTF	Internal	68A-A1-AAA-Jxxx-xxx	68A-C1-AAA-Jxxx-xxx	-
	External	68A-A1-AAB-Jxxx-xxx	68A-C1-AAB-Jxxx-xxx	68A-G1-AAB-Jxxx-xxx
1 1/4" NPTF	Internal	68A-A1-BAA-Jxxx-xxx	68A-C1-BAA-Jxxx-xxx	-
	External	68A-A1-BAB-Jxxx-xxx	68A-C1-BAB-Jxxx-xxx	68A-G1-BAB-Jxxx-xxx
1 1/2" NPTF	Internal	68A-A1-CAA-Jxxx-xxx	68A-C1-CAA-Jxxx-xxx	-
	External	68A-A1-CAB-Jxxx-xxx	68A-C1-CAB-Jxxx-xxx	68A-G1-CAB-Jxxx-xxx

SOLENOID OPERATOR >

J XX X - X XX

XX Voltage	X Wire length	X Manual operator	XX Electrical connection
AA* 120VAC (5.4W)	0** No lead wire	0 No operator	BA Flying leads
AC* 24VAC (5.4W)	A 18"	1 Recessed – Non locking	GA MAC JAC Solenoid plug-in
DA 24VDC (5.4W)	B 24"	2 Recessed - Locking	GB MAC JAC Solenoid plug-in with diode
DB 12VDC (5.4W)	C 36"	3 Extended – Non locking	GH MAC JAC Solenoid plug-in with rectifier and LED
DC 24VDC (2.4W)	D 48"	4 Extended - Locking	JB Rectangular connector
DD 12VDC (2.4W)	E 72"		JD Rectangular connector with light
DE 24VDC (1.8W)	F 96"		KA Mini square plug-in
DF 12VDC (1.8W)			KB Mini square plug-in with diode
			KH Mini square plug-in with rectifier & light

* AC voltage requires connector with rectifier

** For use with "J", "K", and "L" type electrical connectors

OPTIONS

Pilot exhaust: 68A-xx-x**X**x-Jxxx-xxx (-**G**)

G Ground wire / pin
A Standard Pilot exhaust
B Pilot exhaust out main exhaust

Direct solenoid and solenoid pilot operated valves

TECHNICAL DATA

Fluid:	Compressed air, vacuum, inert gases
Pressure range:	Internal pilot: 20 to 120 PSI External pilot: Vacuum to 120 PSI
Pilot pressure:	20 to 120 PSI
Lubrication:	Not required, if used select a medium aniline point lubricant (between 180°F and 210°F)
Filtration:	40μ
Temperature range:	0°F to 120°F
Flow:	Cv 31.0
Power:	5.4 to 1.8 W
Voltage range:	-15% to +10% of nominal voltage

Options: BSPP threads

DIMENSIONS

