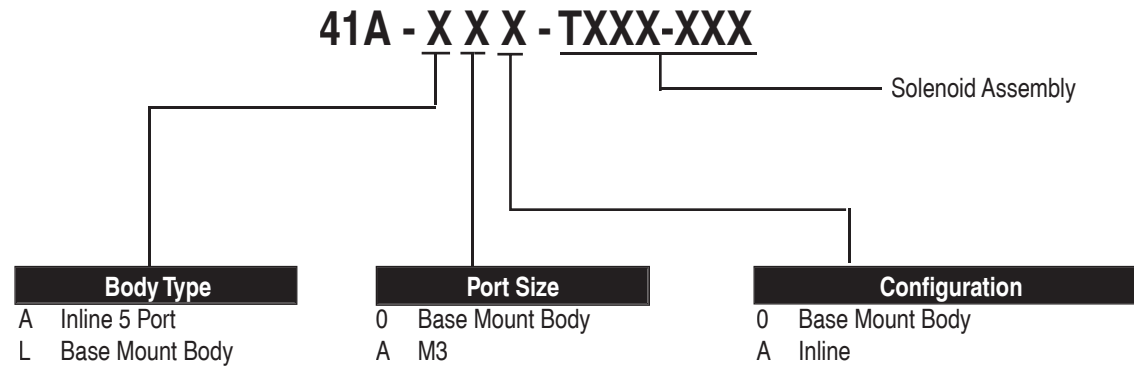


41 Series

Specifications

Fluids:	Compressed air, vacuum, inert gases
Pressure Range:	Vacuum to 120 psi
Lubrication:	Not required, if used select a medium aniline lubricant (between 180° and 210°)
Filtration	40 micron
Flow	Up to .035 Cv
Coil	Class A (#26 AWG x 18), continuous duty.
Voltage Range:	-15% to +10% of nominal voltage.
Power	4.0w, 3.0w, 2.5w, 1.8w

How to Order 41 Series



How to Order 31/41 Series Solenoid Assembly

T XX X - X XX

Voltage

DC 24VDC (1.8w)
 DD 24VDC (2.5w)
 DE 24VDC (3.0w)
 DF 24VDC (4.0w)
 DJ 12VDC (1.8w)
 DK 12VDC (2.5w)
 DL 12VDC (3.0w)
 DM 12VDC (4.0w)

Lead Wire Length

A 18"
 B 24"
 C 36"
 D 48"
 E 72"
 F 96"
 G 120"
 H 144"

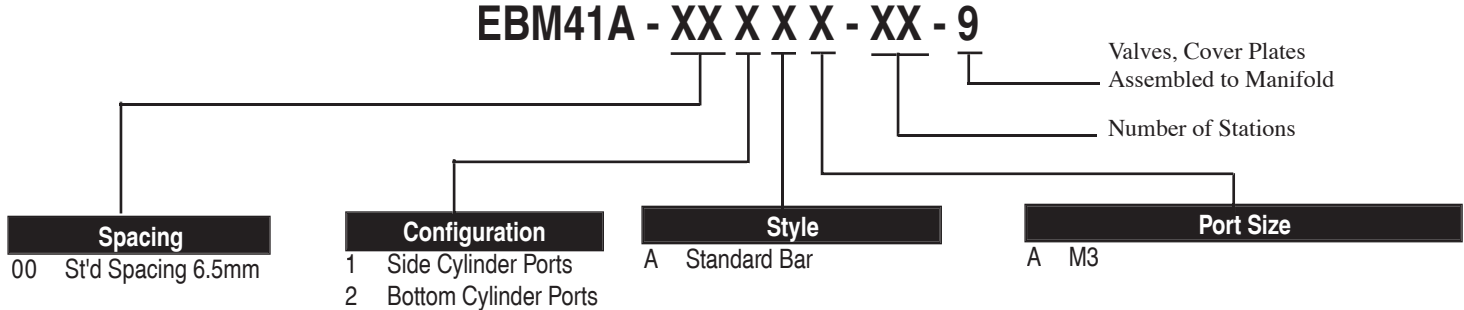
Manual Operator

0 No Operator
 1 Non Locking Recessed
 3 Non Locking Extended

Electrical Connectors

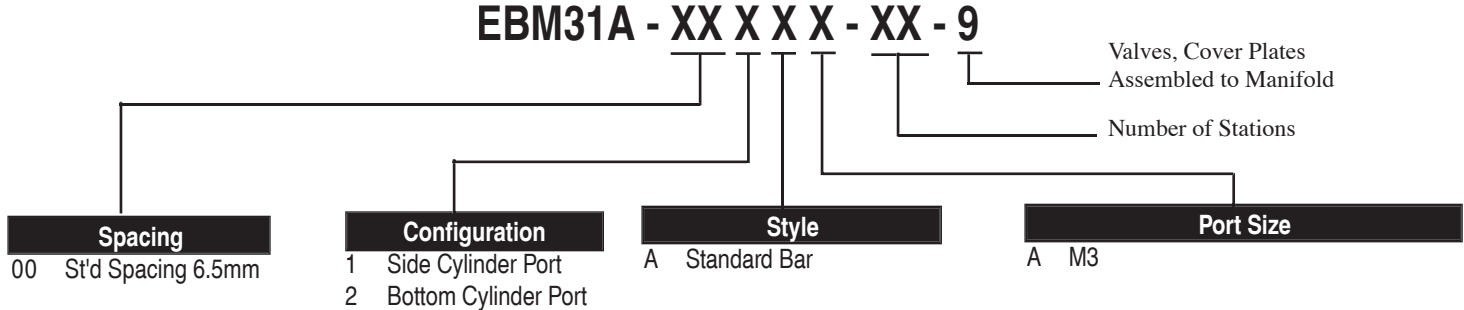
BA Flying Leads

How to Order 41 Series EBM Circuit Bar



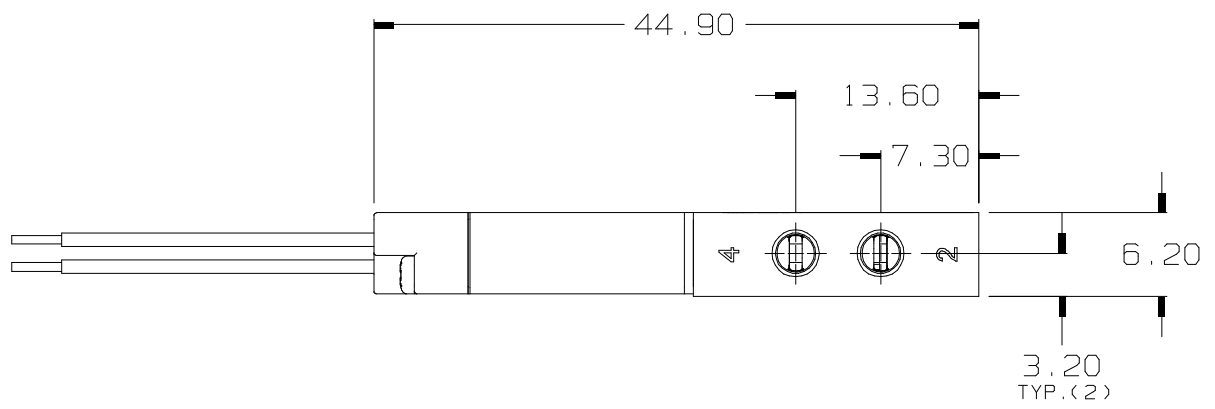
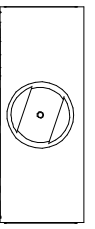
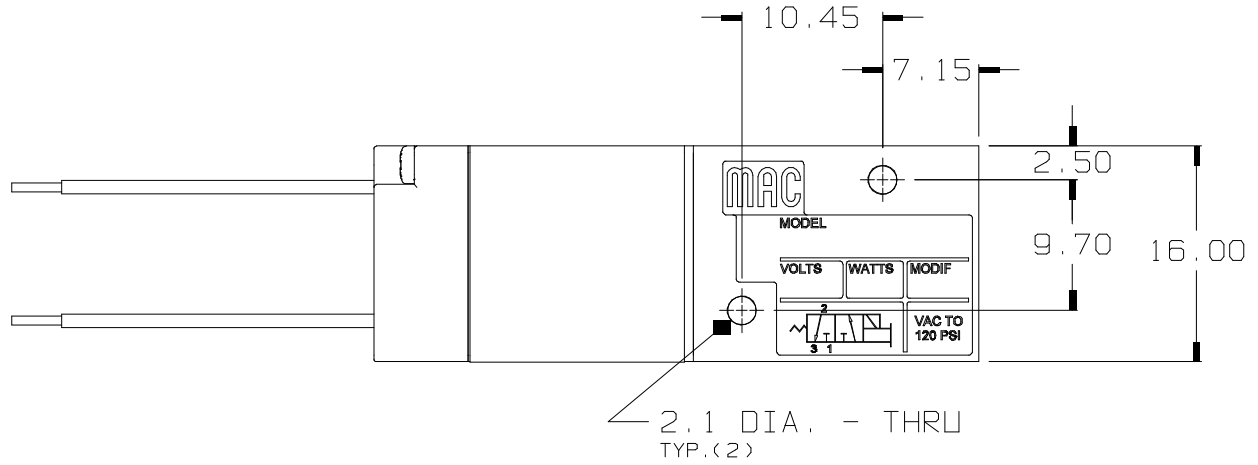
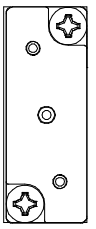
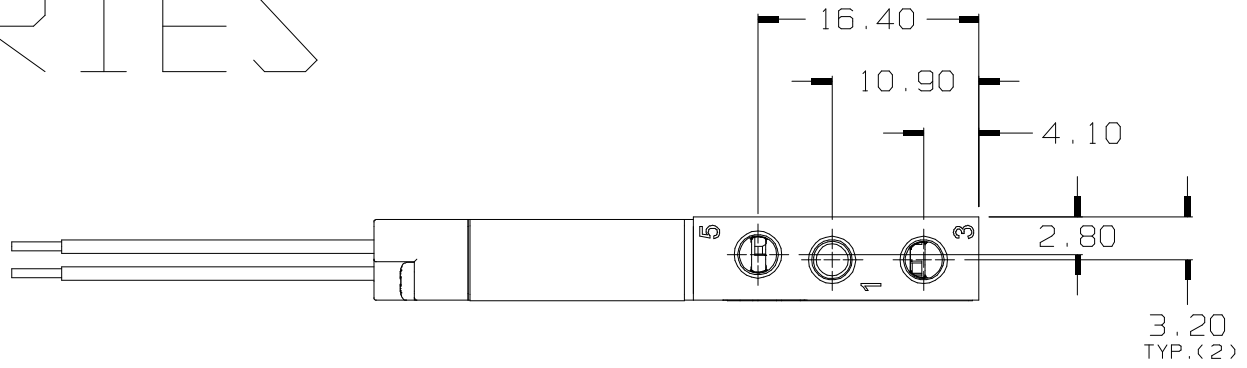
Note: Through ports (Inlet and Exhaust) are M7 Ports.

How to Order 31 Series EBM Circuit Bar

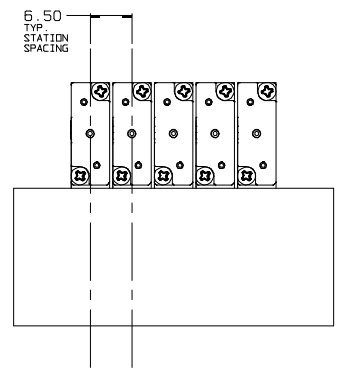
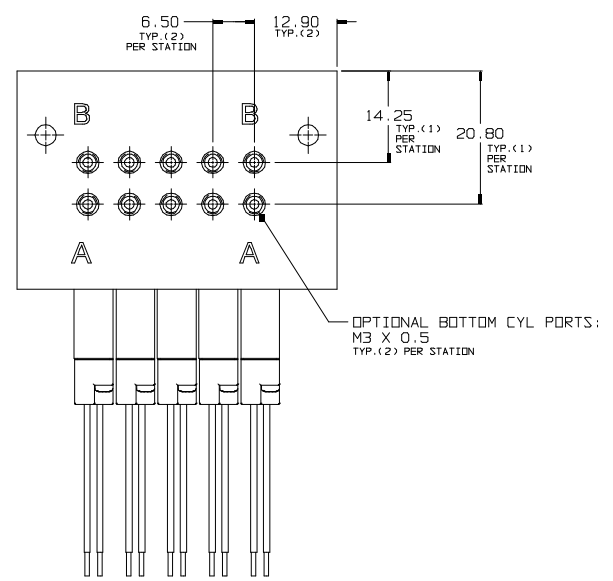
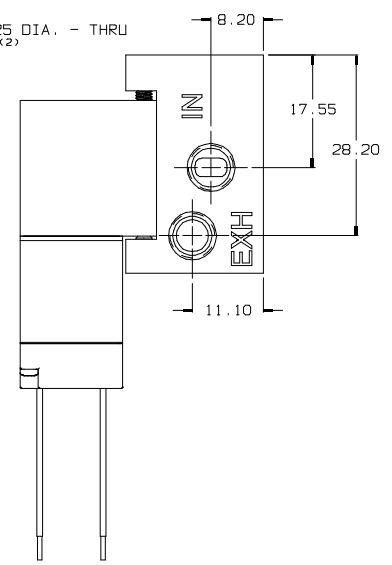
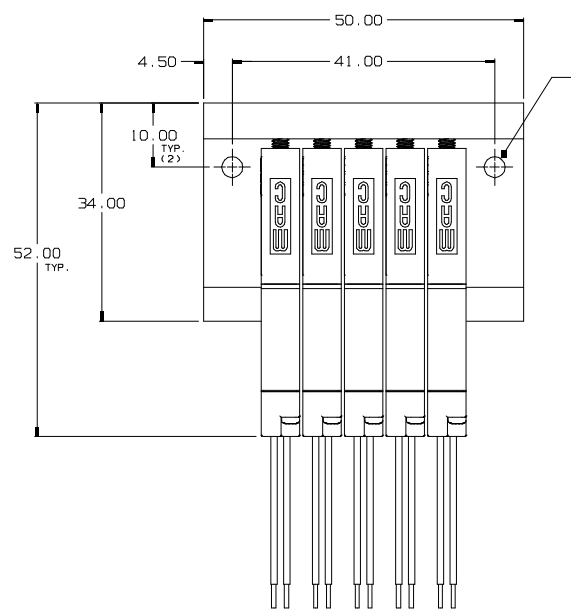
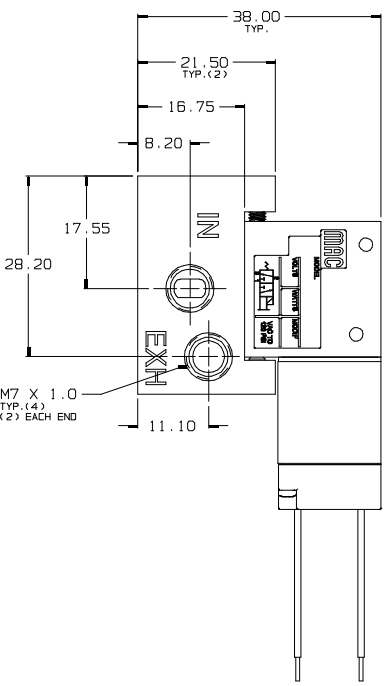
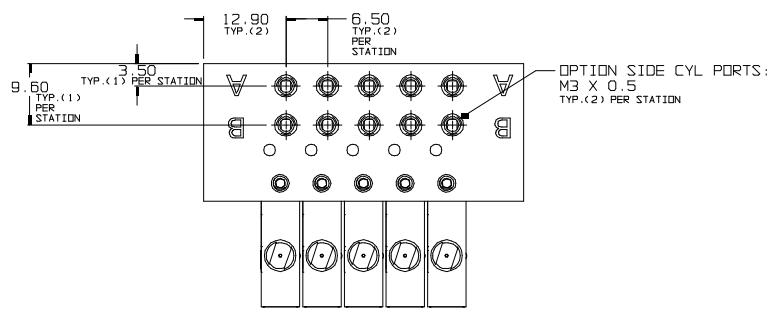


Note: Through ports (Inlet and Exhaust) are M7 Ports.

41 SERIES

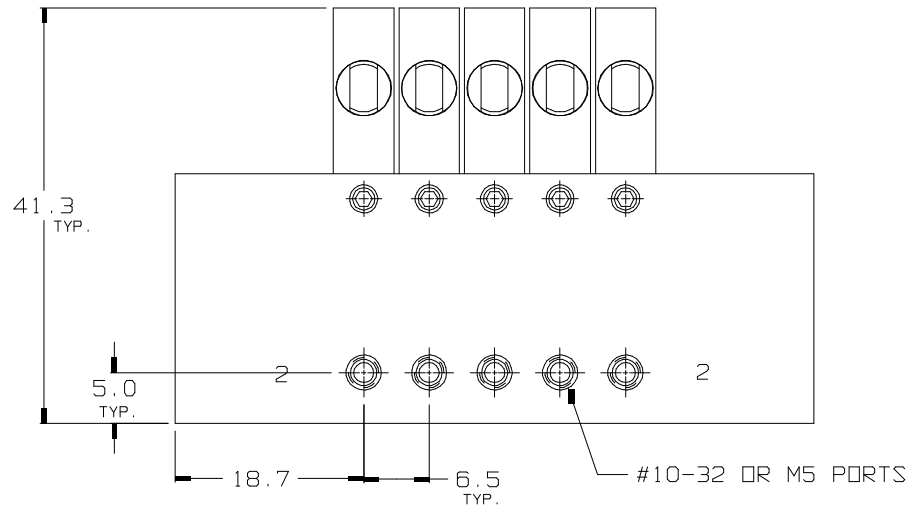
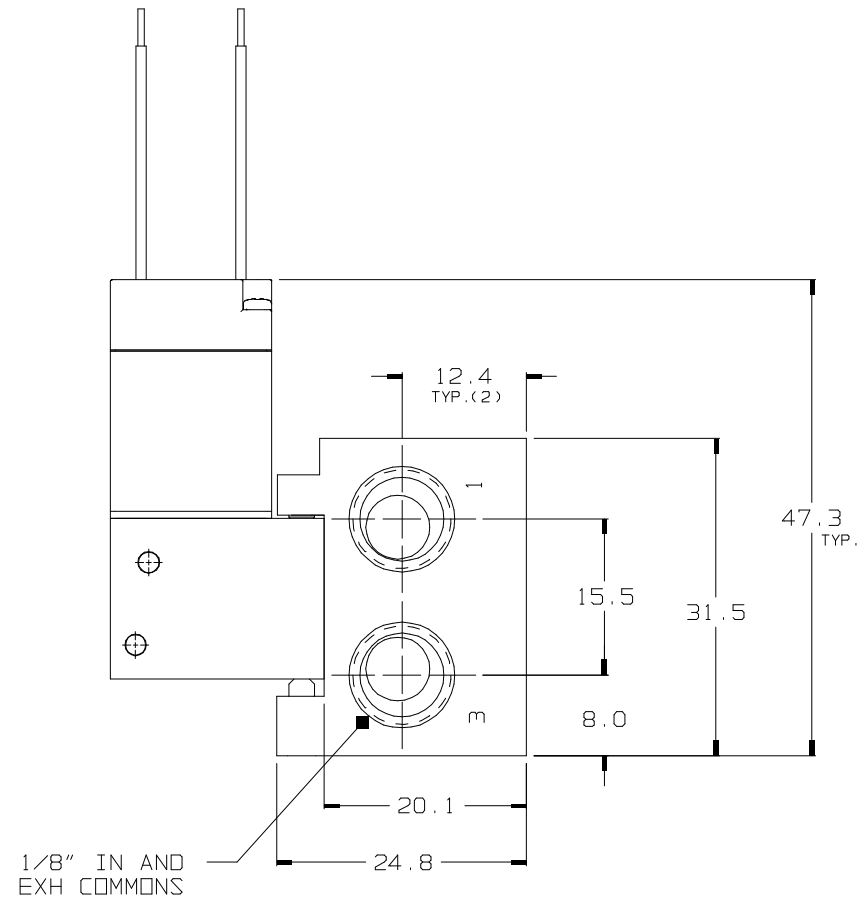
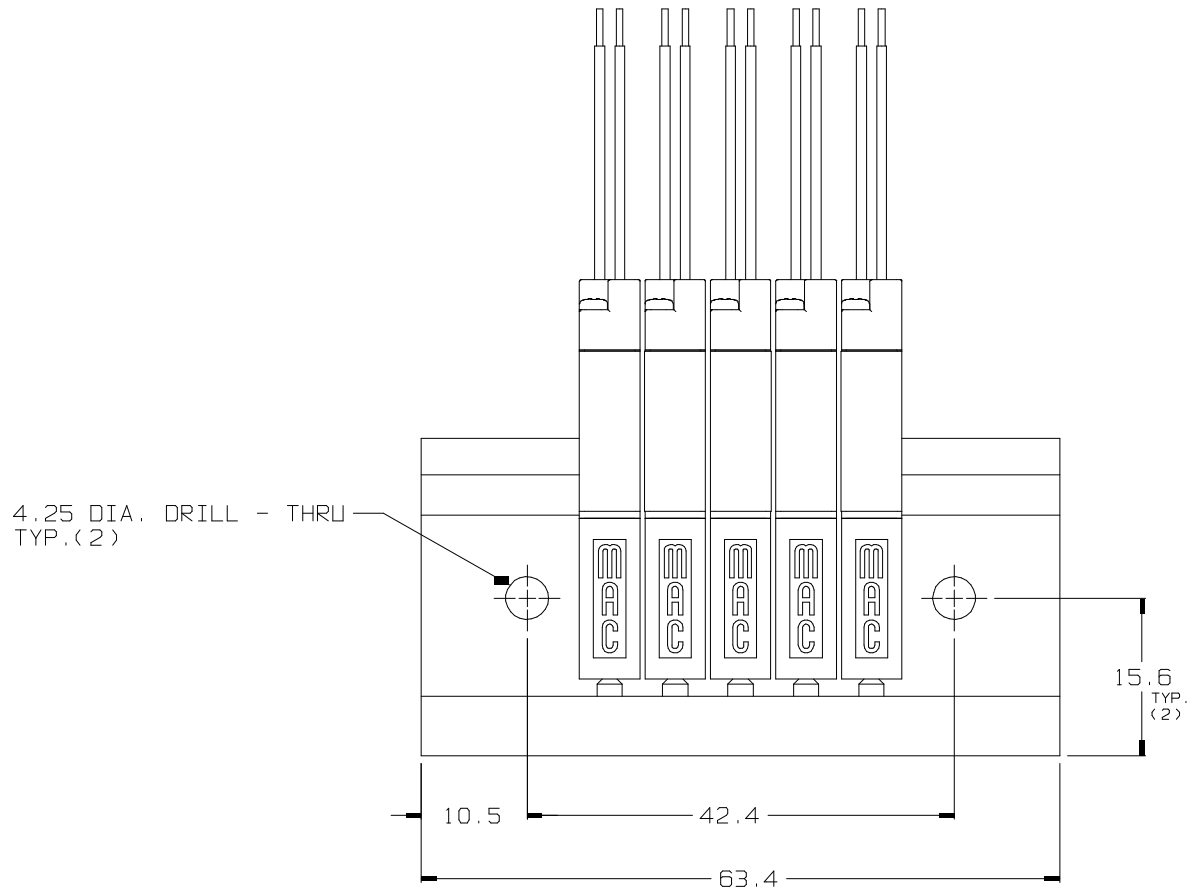


41 SERIES



31 SERIES EBM

(SHOWN WITH "FLYING LEADS" CONNECTOR)



- DIMENSIONS SHOWN ARE
IN MILLIMETERS
- 5 STATION BAR SHOWN