

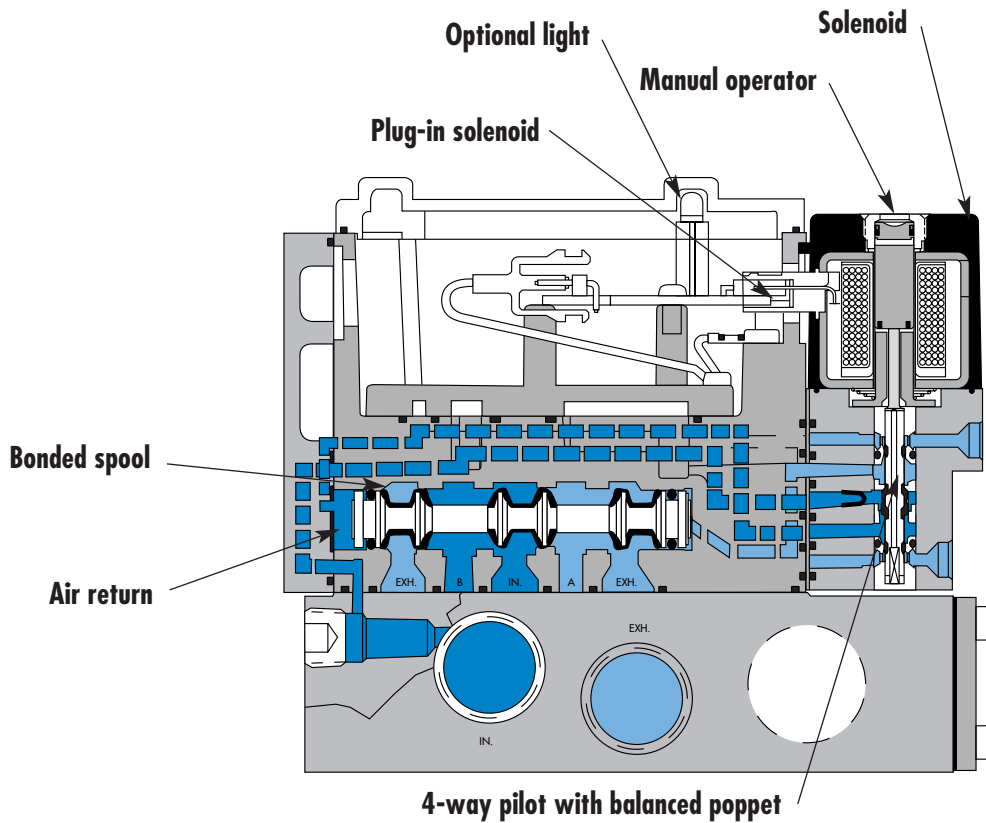
Individual mounting

Sub-base non "plug-in"	Sub-base "plug-in"
------------------------	--------------------

Series

Manifold mounting

Sub-base non "plug-in"	Sub-base "plug-in"
------------------------	--------------------



33

34

36

32

37

38

52

67

69

44

46

42

47

48P

48

400

92

SERIES FEATURES

- Patented MACSOLENOID® for fastest possible response times and virtually burn-out proof AC solenoid operation.
- Optional low watt DC solenoids.
- Optional memory spring.
- Plug-in design of valves and bases for ease of maintenance.
- 2 position or 3 position valve configurations.

93

ISO 01

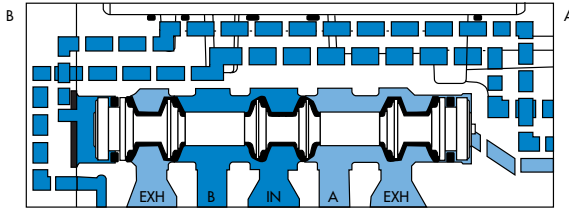
ISO 02

ISO 1

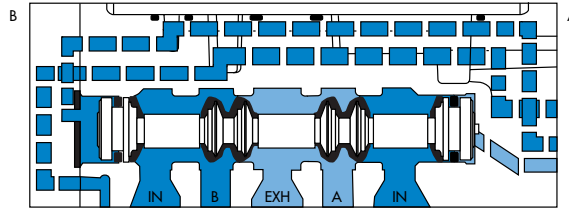
ISO 2

ISO 3

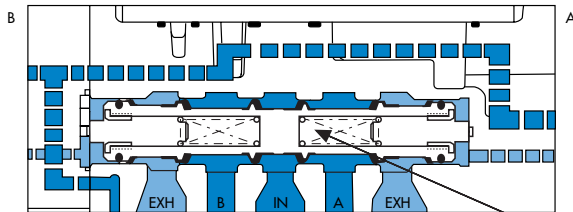
SPOOL CONFIGURATIONS



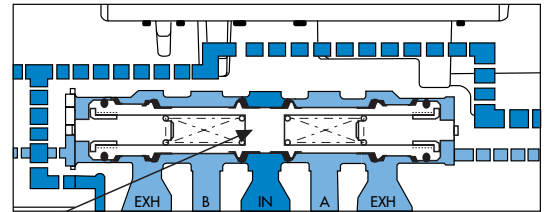
2 POSITION SINGLE PRESSURE
SHOWN WITH "B" OPERATOR ENERGIZED



2 POSITION DUAL PRESSURE
SHOWN WITH "B" OPERATOR ENERGIZED

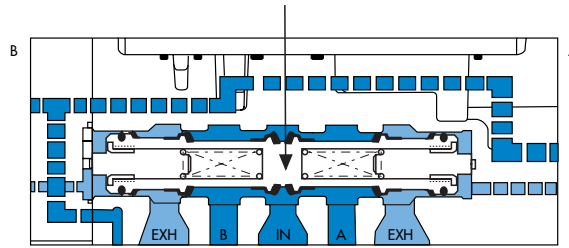


3 POSITION CLOSED CENTER



3 POSITION OPEN CENTER

SPRING CENTERING



3 POSITION SINGLE PRESSURE, PRESSURE CENTER

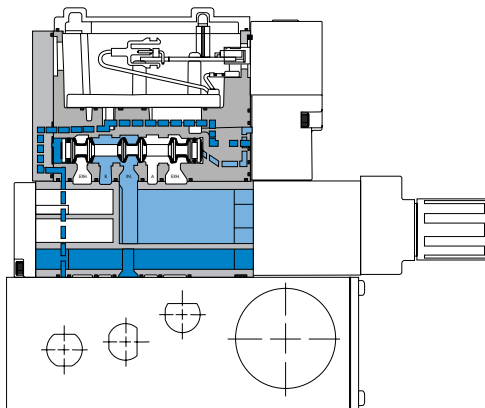
REGULATOR CONFIGURATIONS

SINGLE REGULATOR - SINGLE PRESSURE

Pressure supplied to the individual or manifold base passes through the regulator. Regulated pressure is supplied to the pressure path of the valve.

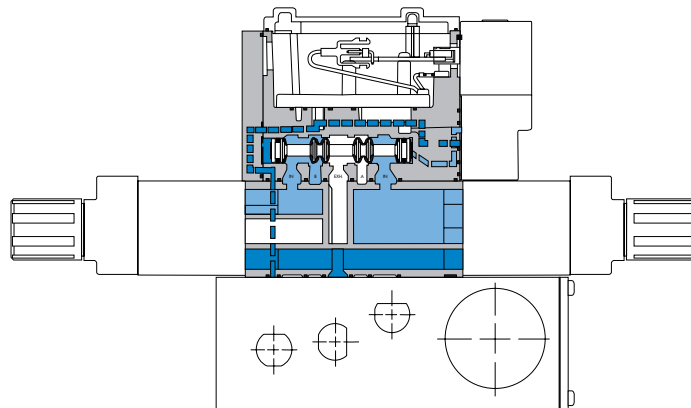
DUAL REGULATOR - DUAL PRESSURE

Pressure supplied from each regulator is divided in the block. Regulated pressure from "A" regulator supplies cylinder port "A". Regulated pressure from "B" regulator supplies cylinder port "B". Dual pressure regulators require dual pressure spool in valve.



MANIFOLD WITH REGULATOR - SINGLE PRESSURE

Note: For both single and dual pressure, air supply to the pilot system is never regulated.



MANIFOLD WITH REGULATOR - DUAL PRESSURE



Direct solenoid and solenoid pilot operated valves

Function	Port size	Flow [Max]	Individual mounting	Series
5/2, 5/3	1/8" - 1/4" - 3/8"	1.2 C_v	Sub-base non "plug-in"	

OPERATIONAL BENEFITS

1. The 4-way pilot develops maximum shifting forces both ways.
2. Memory spring available.
3. Balanced spool, immune to variations of pressure, also provides high flow.
4. Short stroke with high flow.
5. Bonded seal spool with minimum friction, shifting in a glass-like finished bore.
6. Pilot with balanced poppet, high flow; short and consistent response times.



- 33
- 34
- 36
- 32
- 37
- 38
- 52
- 67
- 69
- 44
- 46
- 42
- 47
- 48P
- 48

HOW TO ORDER

SINGLE PRESSURE MODELS

Port size	Pilot air	5/2 Single operator	5/2 Double operator	5/3 Closed center	5/3 Open center	5/3 Pressure center
Valve less base		92B-ABA-000-DM-Dxxx-xxx	92B-BBA-000-DM-Dxxx-xxx	92B-EBA-000-DM-Dxxx-xxx	92B-FBA-000-DM-Dxxx-xxx	92B-GBA-000-DM-Dxxx-xxx
1/8" NPTF	Internal	92B-ABA-AAG-DM-Dxxx-xxx	92B-BBA-AAG-DM-Dxxx-xxx	92B-EBA-AAG-DM-Dxxx-xxx	92B-FBA-AAG-DM-Dxxx-xxx	92B-GBA-AAG-DM-Dxxx-xxx
1/4" NPTF		92B-ABA-BAG-DM-Dxxx-xxx	92B-BBA-BAG-DM-Dxxx-xxx	92B-EBA-BAG-DM-Dxxx-xxx	92B-FBA-BAG-DM-Dxxx-xxx	92B-GBA-BAG-DM-Dxxx-xxx
3/8" NPTF		92B-ABA-CAG-DM-Dxxx-xxx	92B-BBA-CAG-DM-Dxxx-xxx	92B-EBA-CAG-DM-Dxxx-xxx	92B-FBA-CAG-DM-Dxxx-xxx	92B-GBA-CAG-DM-Dxxx-xxx
1/8" NPTF	External	92B-ABA-AAH-DM-Dxxx-xxx	92B-BBA-AAH-DM-Dxxx-xxx	92B-EBA-AAH-DM-Dxxx-xxx	92B-FBA-AAH-DM-Dxxx-xxx	92B-GBA-AAH-DM-Dxxx-xxx
1/4" NPTF		92B-ABA-BAH-DM-Dxxx-xxx	92B-BBA-BAH-DM-Dxxx-xxx	92B-EBA-BAH-DM-Dxxx-xxx	92B-FBA-BAH-DM-Dxxx-xxx	92B-GBA-BAH-DM-Dxxx-xxx
3/8" NPTF		92B-ABA-CAH-DM-Dxxx-xxx	92B-BBA-CAH-DM-Dxxx-xxx	92B-EBA-CAH-DM-Dxxx-xxx	92B-FBA-CAH-DM-Dxxx-xxx	92B-GBA-CAH-DM-Dxxx-xxx

DUAL PRESSURE MODELS (REQUIRE SANDWICH REGULATOR – SEE "REGULATORS" SECTION)

Port size	Pilot air	5/2 Single operator	5/2 Double operator
Valve less base		92B-CBA-000-DM-Dxxx-xxx	92B-DBA-000-DM-Dxxx-xxx
1/8" NPTF	Internal	92B-CBA-AAG-DM-Dxxx-xxx	92B-DBA-AAG-DM-Dxxx-xxx
1/4" NPTF		92B-CBA-BAG-DM-Dxxx-xxx	92B-DBA-BAG-DM-Dxxx-xxx
3/8" NPTF		92B-CBA-CAG-DM-Dxxx-xxx	92B-DBA-CAG-DM-Dxxx-xxx
1/8" NPTF	External	92B-CBA-AAH-DM-Dxxx-xxx	92B-DBA-AAH-DM-Dxxx-xxx
1/4" NPTF		92B-CBA-BAH-DM-Dxxx-xxx	92B-DBA-BAH-DM-Dxxx-xxx
3/8" NPTF		92B-CBA-CAH-DM-Dxxx-xxx	92B-DBA-CAH-DM-Dxxx-xxx

- 400
- 92
- 93
- ISO 01
- ISO 02
- ISO 1
- ISO 2
- ISO 3

SOLENOID OPERATOR >

DM-D XXX-XXX*

Above models are shown with side ports.

XX Voltage	X Wire length	X Manual operator	XX Electrical connection
JA 110 /50, 120/60 (2.9W)	A 18" (Flying leads)	1 Non-locking recessed	BM Flying leads
JB 220/50, 240/60 (2.9W)	B 24" (Flying leads)	2 Locking recessed	BN Flying leads with diode
JC 24/60 (2.9W)	J Connector		BP Flying leads with M.O.V.
FB 24 VDC (1.8W)			BG Flying leads with ground
DA 24 VDC (5.4W)			JB Rectangular connector
DF 24 VDC (12.7W)			JD Rectangular connector with light
			KA Square connector

* Other options available, see page 309.

Other options available for the 92 series valves, see page 155.

TECHNICAL DATA

Fluid :	Compressed air, vacuum, inert gases
Pressure range :	Internal pilot : 20 to 120 PSI 3 position : 35 to 120 PSI External pilot : vacuum to 120 PSI 3 position : 35 to 120 PSI
Lubrication :	Not required, if used select a medium aniline point lubricant (between 180°F and 210°F)
Filtration :	40 µ
Temperature range :	0°F to 120°F (-18°C to +50°C)
Flow :	1/8": (1.0 C _v) – 1/4": (1.1 C _v) – 3/8": (1.2 C _v)
Coil :	Class A continuous duty, #22 AWG x 18 lead wire
Voltage range :	-15% to +10% of nominal voltage
Protection :	Consult factory
Power :	~Inrush 7.6 VA Holding : 4.8 VA = 1.8 to 12.7 W
Response times :	24V=5.4W Energize : 8 ms De-energize : 7 ms 120/60 Energize : 7-13 ms De-energize : 12-20 ms

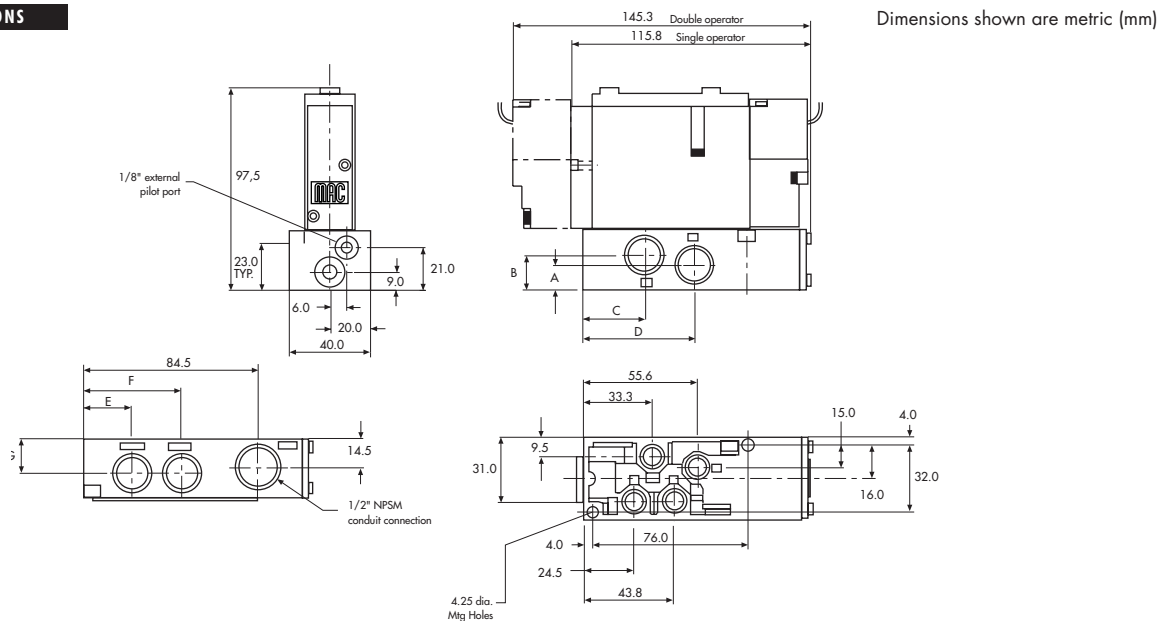
Options :

- BSPP threads • Sandwich flow control: FC92B-CA

Spare parts :

- Pilot valve DM-Dxxx-xxx • Valve blanking plate: M-92002
- Pressure seal between valve and base : 16543. • Mounting screws valve to base (X2) : 35050.

DIMENSIONS



DIM.	A	B	C	D	E	F	G
1/8"	12.5	18.0	31.0	54.0	23.5	46.5	18.0
1/4"	12.5	18.0	31.0	54.0	23.5	46.5	18.0
3/8"	12.0	17.0	30.0	54.0	23.5	47.5	17.0



Direct solenoid and solenoid pilot operated valves

Function	Port size	Flow [Max]	Individual mounting	Series
5/2, 5/3	1/8" - 1/4" - 3/8"	1.2 C_v	Sub-base "plug-in"	

OPERATIONAL BENEFITS

1. The 4-way pilot develops maximum shifting forces both ways.
2. Memory spring available.
3. Balanced spool, immune to variations of pressure, also provides high flow.
4. Short stroke with high flow.
5. Bonded seal spool with minimum friction, shifting in a glass-like finished bore.
6. Pilot with balanced poppet, high flow; short and consistent response times.



- 33
- 34
- 36
- 32
- 37
- 38
- 52
- 67
- 69
- 44
- 46
- 42
- 47
- 48P
- 48

HOW TO ORDER

SINGLE PRESSURE MODELS

Port size	Pilot air	5/2 Single operator	5/2 Double operator	5/3 Closed center	5/3 Open center	5/3 Pressure center
Valve less base		92B-AAA-000-DM-DxxP-xxx	92B-BAA-000-DM-DxxP-xxx	92B-EAA-000-DM-DxxP-xxx	92B-FAA-000-DM-DxxP-xxx	92B-GAA-000-DM-DxxP-xxx
1/8"		92B-AAA-AAA-DM-DxxP-xxx	92B-BAA-AAA-DM-DxxP-xxx	92B-EAA-AAA-DM-DxxP-xxx	92B-FAA-AAA-DM-DxxP-xxx	92B-GAA-AAA-DM-DxxP-xxx
1/4"	Internal	92B-AAA-BAA-DM-DxxP-xxx	92B-BAA-BAA-DM-DxxP-xxx	92B-EAA-BAA-DM-DxxP-xxx	92B-FAA-BAA-DM-DxxP-xxx	92B-GAA-BAA-DM-DxxP-xxx
3/8"		92B-AAA-CAA-DM-DxxP-xxx	92B-BAA-CAA-DM-DxxP-xxx	92B-EAA-CAA-DM-DxxP-xxx	92B-FAA-CAA-DM-DxxP-xxx	92B-GAA-CAA-DM-DxxP-xxx
1/8"		92B-AAA-AAD-DM-DxxP-xxx	92B-BAA-AAD-DM-DxxP-xxx	92B-EAA-AAD-DM-DxxP-xxx	92B-FAA-AAD-DM-DxxP-xxx	92B-GAA-AAD-DM-DxxP-xxx
1/4"	External	92B-AAA-BAD-DM-DxxP-xxx	92B-BAA-BAD-DM-DxxP-xxx	92B-EAA-BAD-DM-DxxP-xxx	92B-FAA-BAD-DM-DxxP-xxx	92B-GAA-BAD-DM-DxxP-xxx
3/8"		92B-AAA-CAD-DM-DxxP-xxx	92B-BAA-CAD-DM-DxxP-xxx	92B-EAA-CAD-DM-DxxP-xxx	92B-FAA-CAD-DM-DxxP-xxx	92B-GAA-CAD-DM-DxxP-xxx

DUAL PRESSURE MODELS (REQUIRE SANDWICH REGULATOR – SEE "REGULATORS" SECTION)

Port size	Pilot air	5/2 Single operator	5/2 Double operator
Valve less base		92B-CAA-000-DM-DxxP-xxx	92B-DAA-000-DM-DxxP-xxx
1/8"		92B-CAA-AAA-DM-DxxP-xxx	92B-DAA-AAA-DM-DxxP-xxx
1/4"	Internal	92B-CAA-BAA-DM-DxxP-xxx	92B-DAA-BAA-DM-DxxP-xxx
3/8"		92B-CAA-CAA-DM-DxxP-xxx	92B-DAA-CAA-DM-DxxP-xxx
1/8"		92B-CAA-AAD-DM-DxxP-xxx	92B-DAA-AAD-DM-DxxP-xxx
1/4"	External	92B-CAA-BAD-DM-DxxP-xxx	92B-DAA-BAD-DM-DxxP-xxx
3/8"		92B-CAA-CAD-DM-DxxP-xxx	92B-DAA-CAD-DM-DxxP-xxx

- 400
- 92
- 93
- ISO 01
- ISO 02
- ISO 1
- ISO 2
- ISO 3

SOLENOID OPERATOR >

DM-D **XX** P-**XXX***

Above models are shown with side ports.

XX Voltage	X Manual operator	XX Electrical connection
JA 110 / 50, 120 / 60 (2.9W)	1 Non-locking recessed	DM Plug-in
JB 220 / 50, 240 / 60 (2.9W)	2 Locking recessed	DN Plug-in with diode
JC 24 / 60 (2.9W)		DP Plug-in with M.O.V.
FB 24 VDC (1.8W)		DG Plug-in with ground
DA 24 VDC (5.4W)		DJ Plug-in with M.O.V. & ground
DF 24 VDC (12.7W)		DH Plug-in with diode & ground

* Other options available, see page 309.
 Note: Ground required for 30 Volts or higher.
 Other options available for the 92 series valves, see page 156.

TECHNICAL DATA

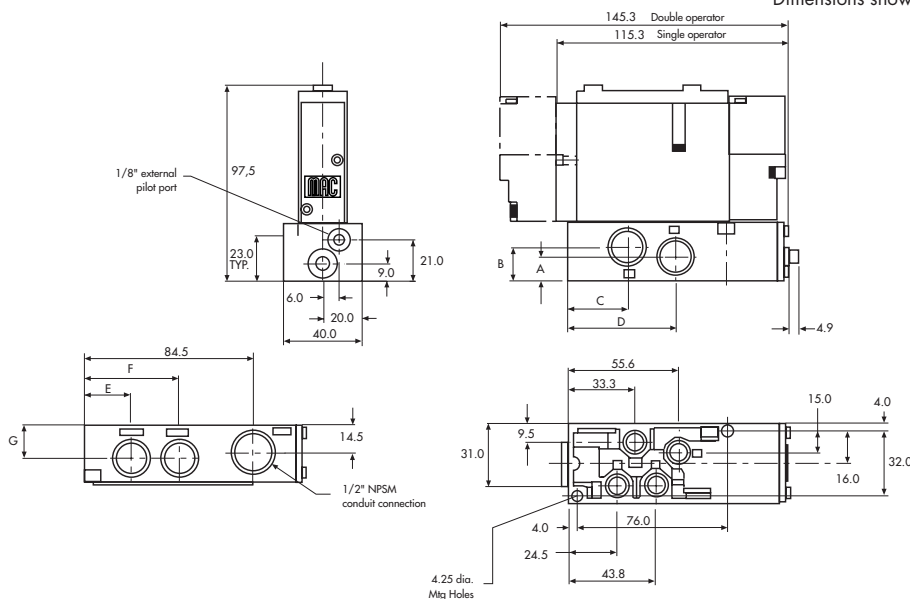
Fluid :	Compressed air, vacuum, inert gases
Pressure range :	Internal pilot : 20 to 120 PSI 3 position : 35 to 120 PSI External pilot : vacuum to 120 PSI 3 position : 35 to 120 PSI
Lubrication :	Not required, if used select a medium aniline point lubricant (between 180°F and 210°F)
Filtration :	40 μ
Temperature range :	0°F to 120°F (-18°C to +50°C)
Flow :	1/8": (1.0 C _v) – 1/4": (1.1 C _v) – 3/8": (1.2 C _v)
Coil :	Class A continuous duty, #22 AWG x 18 lead wire
Voltage range :	-15% to +10% of nominal voltage
Protection :	Consult factory
Power :	~Inrush 7.6 VA Holding : 4.8 VA = 1.8 to 12.7 W
Response times :	24V=5.4W Energize : 8 ms De-energize : 7 ms 120/60 Energize : 7-13 ms De-energize : 12-20 ms

Options : • BSPB threads • Sandwich flow control: FC92B-AA (sgl. operator), FC92B-BA (dbl. operator)

Spare parts : • Pilot valve DM-DxxP-xxx • Valve blanking plate: M-92002
• Pressure seal between valve and base : 16543. • Mounting screws valve to base (X2) : 35050.

DIMENSIONS

Dimensions shown are metric (mm)



DIM.	A	B	C	D	E	F	G
1/8"	12.5	18.0	31.0	54.0	23.5	46.5	18.0
1/4"	12.5	18.0	31.0	54.0	23.5	46.5	18.0
3/8"	12.0	17.0	30.0	54.0	23.5	47.5	17.0



Direct solenoid and solenoid pilot operated valves

Function	Port size	Flow (Max)	Manifold mounting	Series
5/2, 5/3	1/4" - 3/8"	1.2 C_v	Sub-base non "plug-in"	

OPERATIONAL BENEFITS

1. The 4-way pilot develops maximum shifting forces both ways.
2. Memory spring available.
3. Balanced spool, immune to variations of pressure, also provides high flow.
4. Short stroke with high flow.
5. Bonded seal spool with minimum friction, shifting in a glass-like finished bore.
6. Pilot with balanced poppet, high flow; short and consistent response times.
7. Wiping effect eliminates sticking.
8. Long service life.



33
34
36
32
37
38
52
67
69
44

HOW TO ORDER

SINGLE PRESSURE MODELS

Port size	Pilot air	5/2 Single operator	5/2 Double operator	5/3 Closed center	5/3 Open center	5/3 Pressure center
Valve less base		92B-ABA-000-DM-DXXX-XXX	92B-BBA-000-DM-DXXX-XXX	92B-EBA-000-DM-DXXX-XXX	92B-FBA-000-DM-DXXX-XXX	92B-GBA-000-DM-DXXX-XXX
1/4" NPTF	Internal	92B-ABA-BJG-DM-DXXX-XXX	92B-BBA-BJG-DM-DXXX-XXX	92B-EBA-BJG-DM-DXXX-XXX	92B-FBA-BJG-DM-DXXX-XXX	92B-GBA-BJG-DM-DXXX-XXX
3/8" NPTF		92B-ABA-CJG-DM-DXXX-XXX	92B-BBA-CJG-DM-DXXX-XXX	92B-EBA-CJG-DM-DXXX-XXX	92B-FBA-CJG-DM-DXXX-XXX	92B-GBA-CJG-DM-DXXX-XXX

46
42
47
48P

DUAL PRESSURE MODELS (REQUIRE SANDWICH REGULATOR – SEE "REGULATORS" SECTION)

Port size	Pilot air	5/2 Single operator	5/2 Double operator
Valve less base		92B-CBA-000-DM-DXXX-XXX	92B-DBA-000-DM-DXXX-XXX
1/4" NPTF	Internal	92B-CBA-BJG-DM-DXXX-XXX	92B-DBA-BJG-DM-DXXX-XXX
3/8" NPTF		92B-CBA-CJG-DM-DXXX-XXX	92B-DBA-CJG-DM-DXXX-XXX

48
400

Above models are shown with side ports.

92
93

SOLENOID OPERATOR >

DM-D XXX-XXX*

XX Voltage	X Wire length	X Manual operator	XX Electrical connection
JA 110 /50, 120/60 (2.9W)	A 18" (flying leads)	1 Non-locking recessed	KA Square connector
JB 220/50, 240/60 (2.9W)	J Connector	2 Locking recessed	KD Square connector with light
JC 24/60 (2.9W)			JB Rectangular connector
FB 24 VDC (1.8W)			JD Rect. connector with light
DA 24 VDC (5.4W)			BA Flying leads
DF 24 VDC (12.7W)			BK Flying leads with diode

* Other options available, see page 309.
End plate kit required (port size 3/8"): M-92004-01-01 (internal pilot)
M-92004-02-01 (External pilot)

Other options available for the 92 series valves, see page 155.

ISO 01
ISO 02
ISO 1
ISO 2
ISO 3

TECHNICAL DATA

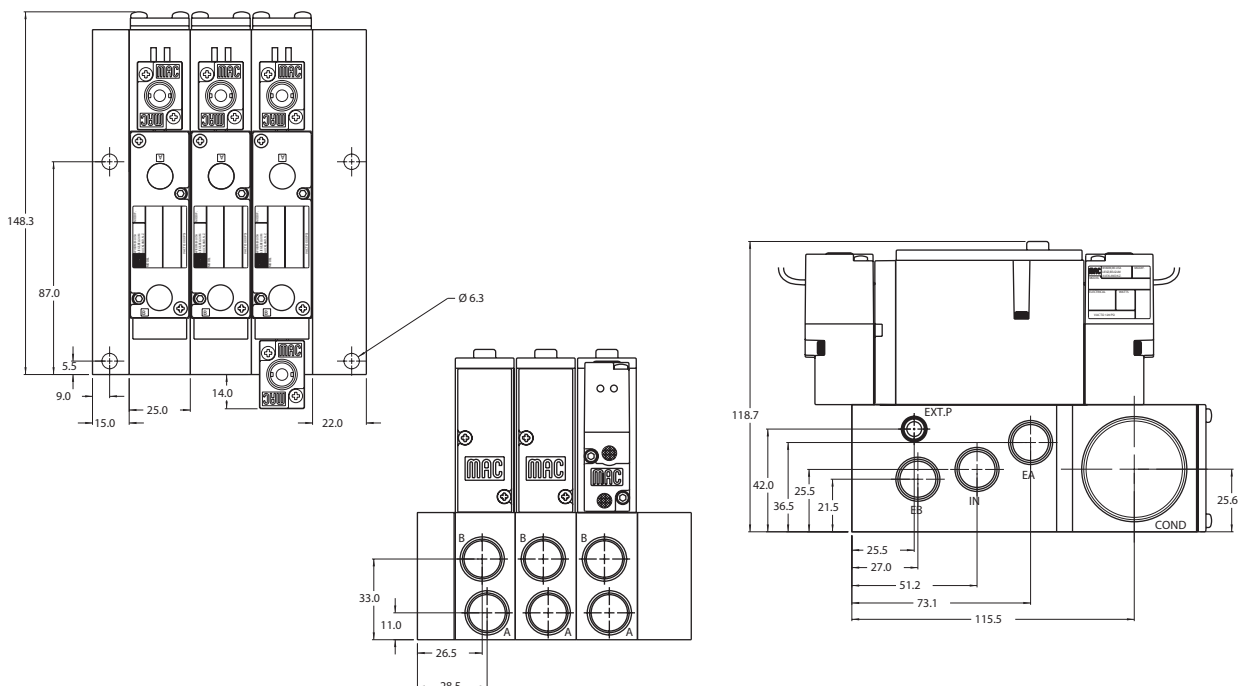
Fluid :	Compressed air, vacuum, inert gases
Pressure range :	Internal pilot : 20 to 120 PSI 3 position : 35 to 120 PSI External pilot : vacuum to 120 PSI 3 position : 35 to 120 PSI
Lubrication :	Not required, if used select a medium aniline point lubricant (between 180°F and 210°F)
Filtration :	40 μ
Temperature range :	0°F to 120°F (-18°C to +50°C)
Flow :	1/4": (1.1 C _v) – 3/8": (1.2 C _v)
Coil :	Class A continuous duty, #22 AWG x 18 leads
Voltage range :	-15% to +10% of nominal voltage
Protection :	Consult factory
Power :	~Inrush 7.6 VA Holding : 4.8 VA = 1.8 to 12.7 W
Response times :	24V=/5.4W Energize : 8 ms De-energize : 7 ms 120/60 Energize : 7-13 ms De-energize : 12-20 ms

Options : • BSPP threads • Sandwich flow controls: FC92B-CA

Spare parts : • Pilot valve: DM-Dxxx-xxx • Valve blanking plate: M-92002 • Pressure seal, valve to base 16543
• Inlet/Exhaust isolator disc: N-92018.

DIMENSIONS

Dimensions shown are metric (mm)





Direct solenoid and solenoid pilot operated valves

Function	Port size	Flow (Max)	Manifold mounting	Series
5/2, 5/3	1/4" - 3/8"	1.2 C_v	Sub-base "plug-in"	

OPERATIONAL BENEFITS

1. The 4-way pilot develops maximum shifting forces both ways.
2. Memory spring available.
3. Balanced spool, immune to variations of pressure, also provides high flow.
4. Short stroke with high flow.
5. Bonded seal spool with minimum friction, shifting in a glass-like finished bore.
6. Pilot with balanced poppet, high flow; short and consistent response times.
7. Wiping effect eliminates sticking.
8. Long service life.



33
34
36
32
37
38
52
67
69
44

HOW TO ORDER

SINGLE PRESSURE MODELS

Port size	Pilot air	5/2 Single operator	5/2 Double operator	5/3 Closed center	5/3 Open center	5/3 Pressure center
Valve less base		92B-AAA-000-DM-DxxP-xxx	92B-BAA-000-DM-DxxP-xxx	92B-EAA-000-DM-DxxP-xxx	92B-FAA-000-DM-DxxP-xxx	92B-GAA-000-DM-DxxP-xxx
1/4" NPTF	Internal	92B-AAA-BJA-DM-DxxP-xxx	92B-BAA-BJA-DM-DxxP-xxx	92B-EAA-BJA-DM-DxxP-xxx	92B-FAA-BJA-DM-DxxP-xxx	92B-GAA-BJA-DM-DxxP-xxx
3/8" NPTF		92B-AAA-CJA-DM-DxxP-xxx	92B-BAA-CJA-DM-DxxP-xxx	92B-EAA-CJA-DM-DxxP-xxx	92B-FAA-CJA-DM-DxxP-xxx	92B-GAA-CJA-DM-DxxP-xxx

46
42
47
48P

DUAL PRESSURE MODELS (REQUIRE SANDWICH REGULATOR – SEE "REGULATORS" SECTION)

Port size	Pilot air	5/2 Single operator	5/2 Double operator
Valve less base		92B-CAA-000-DM-DxxP-xxx	92B-DAA-000-DM-DxxP-xxx
1/4" NPTF	Internal	92B-CAA-BJA-DM-DxxP-xxx	92B-DAA-BJA-DM-DxxP-xxx
3/8" NPTF		92B-CAA-CJA-DM-DxxP-xxx	92B-DAA-CJA-DM-DxxP-xxx

48
400

SOLENOID OPERATOR >

DM-D **XX** P-**XXX***

Above models are shown with side ports and no lights.

XX Voltage	X Manual operator	XX Electrical connection
JA 110 /50, 120/60 (2.9W)	1 Non-locking recessed	DM Plug-in
JB 220/50, 240/60 (2.9W)	2 Locking recessed	DN Plug-in with diode
JC 24/60 (2.9W)		DP Plug-in with M.O.V.
FB 24 VDC (1.8W)		DG Plug-in with ground
DA 24 VDC (5.4W)		DJ Plug-in with M.O.V. & ground
DF 24 VDC (12.7W)		DH Plug-in with diode & ground

92

* Other options available, see page 309.
 Note: Ground required for 30 Volts or higher.
 End plate kit required (port size 3/8"): M-92004-01-01 (internal pilot)
 M-92004-02-01 (external pilot)

Other options available for the 92 series valves, see page 156.

93
ISO 01
ISO 02
ISO 1
ISO 2
ISO 3

TECHNICAL DATA

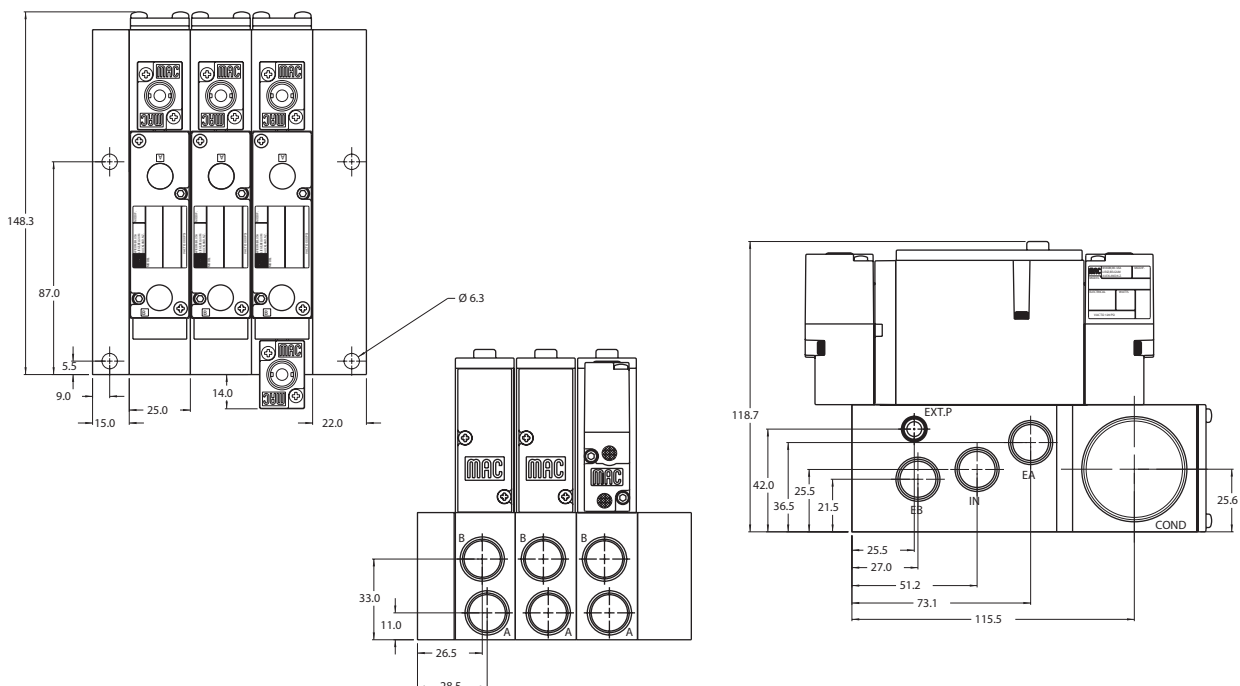
Fluid :	Compressed air, vacuum, inert gases
Pressure range :	Internal pilot : 20 to 120 PSI 3 position : 35 to 120 PSI External pilot : vacuum to 120 PSI 3 position : 35 to 120 PSI
Lubrication :	Not required, if used select a medium aniline point lubricant (between 180°F and 210°F)
Filtration :	40 μ
Temperature range :	0°F to 120°F (-18°C to +50°C)
Flow :	1/4": (1.1 C _v) – 3/8": (1.2 C _v)
Coil :	Class A continuous duty, #22 AWG x 12 base leads
Voltage range :	-15% to +10% of nominal voltage
Protection :	Consult factory
Power :	~Inrush 7.6 VA Holding : 4.8 VA = 1.8 to 12.7 W
Response times :	24V=/5.4W Energize : 8 ms De-energize : 7 ms 120/60 Energize : 7-13 ms De-energize : 12-20 ms

Options : • BSPP threads • Sandwich flow controls: FC92B-AA (sgl. operator), FC92B-BA (dbl. operator)

Spare parts : • Pilot valve: DM-DxxP-xxx • Valve blanking plate: M-92002 • Pressure seal, valve to base: 16543
• Mounting screws valve to base (x2): 35050 • Inlet/Exhaust isolator disc: N-92018.

DIMENSIONS

Dimensions shown are metric (mm)



OPTIONS FOR NON PLUG-IN VALVES	33
Valve function	34
92B- HXX-XXX-XX-Dxxx-xxx	36
<ul style="list-style-type: none"> H for 3 position dual pressure, pressure center* J for 3 position dual pressure, closed center* K for 3 position dual pressure, open center* L for single operator, single pressure with memory spring N for single operator, dual pressure with memory spring* 	32
Pilot exhaust	37
92B- XBX-XXX-XX-Dxxx-xxx	38
<ul style="list-style-type: none"> B standard pilot exhaust D pilot exhaust to main valve exhaust** 	52
Port configuration :	67
Individual sub-base	69
92B- XXX-AX-XX-Dxxx-xxx	44
<ul style="list-style-type: none"> A side ports B bottom ports (1/8" only) C side & bottom ports (1/8" only) D side inlet & exhaust with bottom cylinder ports (1/8") 	46
Manifold sub-base	42
92B- XXX-XJX-XX-Dxxx-xxx	47
<ul style="list-style-type: none"> J side ports K bottom ports 	48P
Pilot style :	48
92B- XXX-XXX-DM-Dxxx-xxx	400
<ul style="list-style-type: none"> DM pilot exhaust muffled DP pilot exhaust piped (#10-32) DU pilot exhaust to main exhaust 	92
Base only :	
92B-000-XXX (i.e. 92B-000-AAG) - Individual base	
92B-000-XXX (i.e. 92B-000-BJG) - Manifold base	

* Requires sandwich regulator.
 ** Must use DU pilot. Main valve exhaust cannot be restricted.



Direct solenoid and solenoid pilot operated valves

OPTIONS FOR PLUG-IN VALVES

Valve function

92B-**HXX-XXX-XX-DxxP-XXX**

- H** for 3 position dual pressure, pressure center*
- J** for 3 position dual pressure, closed center*
- K** for 3 position dual pressure, open center*
- L** for single operator, single pressure with memory spring
- N** for single operator, dual pressure with memory spring*

Pilot exhaust

92B-**XAX-XXX-XX-DxxP-XXX**

- A** standard pilot exhaust
- C** pilot exhaust to main valve exhaust**

Body electrical

92B-**XXA-XXX-XX-DxxP-XXX**

- A** no light
- B** light(s)
- F** suppression and blocking diode with light(s)
- H** M.O.V. with light(s)

Port configuration :

Individual sub-base

92B-**XXX-XAX-XX-DxxP-XXX**

- A** side ports
- B** bottom ports (1/8" only)
- C** side & bottom ports (1/8" only)
- D** side inlet & exhaust with bottom cylinder ports (1/8")

Manifold sub-base

92B-**XXX-XJX-XX-DxxP-XXX**

- J** side ports
- K** bottom ports

Individual & Manifold sub-base Int. pilot

92B-**XXX-XXA-XX-DxxP-XXX**

- A** internal pilot no light
- B** internal pilot single light
- C** internal pilot double light

Individual sub-base Ext. pilot

92B-**XXX-XXD-XX-DxxP-XXX**

- D** external pilot no light
- E** external pilot single light
- F** external pilot double light

Pilot style :

92B-**XXX-XXX-DM-DxxP-XXX**

- DM** pilot exhaust muffled
- DP** pilot exhaust piped (#10-32)
- DU** pilot exhaust to main exhaust

Lead Wire Lengths : (manifold sub-base only)

92B-**XXX-XXX-DM-DxxP-XXX**

- P** 12" leads
- 1** 18" leads
- 2** 24" leads
- 3** 36" leads
- 4** 48" leads
- 5** 72" leads

Base only :

92B-000-XXX (i.e. 92B-000-AAA) - Individual base

(Note: bases are wired for double solenoid valves)

92B-000-XXX (i.e. 92B-000-BJA) - Manifold base

* Requires sandwich regulator.

** Must use DU pilot. Main valve exhaust cannot be restricted.

OPTIONS FOR NON PLUG-IN VALVES	33
Valve function	34
92B- HXX-XXX-XX-Dxxx-xxx	36
<ul style="list-style-type: none"> H for 3 position dual pressure, pressure center* J for 3 position dual pressure, closed center* K for 3 position dual pressure, open center* L for single operator, single pressure with memory spring N for single operator, dual pressure with memory spring* 	32
Pilot exhaust	37
92B- XBX-XXX-XX-Dxxx-xxx	38
<ul style="list-style-type: none"> B standard pilot exhaust D pilot exhaust to main valve exhaust** 	52
Port configuration :	67
Individual sub-base	69
92B- XXX-AX-XX-Dxxx-xxx	44
<ul style="list-style-type: none"> A side ports B bottom ports (1/8" only) C side & bottom ports (1/8" only) D side inlet & exhaust with bottom cylinder ports (1/8") 	46
Manifold sub-base	42
92B- XXX-XJX-XX-Dxxx-xxx	47
<ul style="list-style-type: none"> J side ports K bottom ports 	48P
Pilot style :	48
92B- XXX-XXX-DM-Dxxx-xxx	400
<ul style="list-style-type: none"> DM pilot exhaust muffled DP pilot exhaust piped (#10-32) DU pilot exhaust to main exhaust 	92
Base only :	
92B-000-XXX (i.e. 92B-000-AAG) - Individual base	
92B-000-XXX (i.e. 92B-000-BJG) - Manifold base	

* Requires sandwich regulator.
 ** Must use DU pilot. Main valve exhaust cannot be restricted.



Direct solenoid and solenoid pilot operated valves

OPTIONS FOR PLUG-IN VALVES

Valve function

92B-**HXX-XXX-XX-DxxP-XXX**

- H** for 3 position dual pressure, pressure center*
- J** for 3 position dual pressure, closed center*
- K** for 3 position dual pressure, open center*
- L** for single operator, single pressure with memory spring
- N** for single operator, dual pressure with memory spring*

Pilot exhaust

92B-**XAX-XXX-XX-DxxP-XXX**

- A** standard pilot exhaust
- C** pilot exhaust to main valve exhaust**

Body electrical

92B-**XXA-XXX-XX-DxxP-XXX**

- A** no light
- B** light(s)
- F** suppression and blocking diode with light(s)
- H** M.O.V. with light(s)

Port configuration :

Individual sub-base

92B-**XXX-XAX-XX-DxxP-XXX**

- A** side ports
- B** bottom ports (1/8" only)
- C** side & bottom ports (1/8" only)
- D** side inlet & exhaust with bottom cylinder ports (1/8")

Manifold sub-base

92B-**XXX-XJX-XX-DxxP-XXX**

- J** side ports
- K** bottom ports

Individual & Manifold sub-base Int. pilot

92B-**XXX-XXA-XX-DxxP-XXX**

- A** internal pilot no light
- B** internal pilot single light
- C** internal pilot double light

Individual sub-base Ext. pilot

92B-**XXX-XXD-XX-DxxP-XXX**

- D** external pilot no light
- E** external pilot single light
- F** external pilot double light

Pilot style :

92B-**XXX-XXX-DM-DxxP-XXX**

- DM** pilot exhaust muffled
- DP** pilot exhaust piped (#10-32)
- DU** pilot exhaust to main exhaust

Lead Wire Lengths : (manifold sub-base only)

92B-**XXX-XXX-DM-DxxP-XXX**

- P** 12" leads
- 1** 18" leads
- 2** 24" leads
- 3** 36" leads
- 4** 48" leads
- 5** 72" leads

Base only :

92B-000-XXX (i.e. 92B-000-AAA) - Individual base

(Note: bases are wired for double solenoid valves)

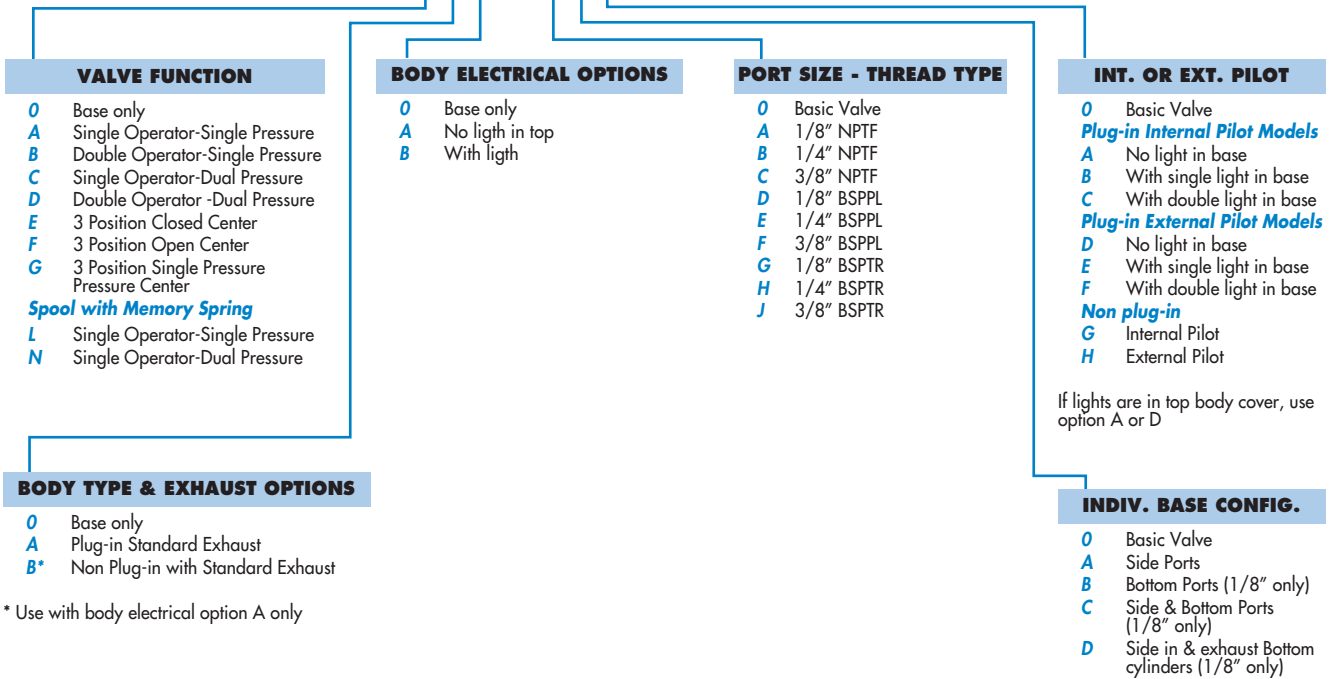
92B-000-XXX (i.e. 92B-000-BJA) - Manifold base

* Requires sandwich regulator.

** Must use DU pilot. Main valve exhaust cannot be restricted.

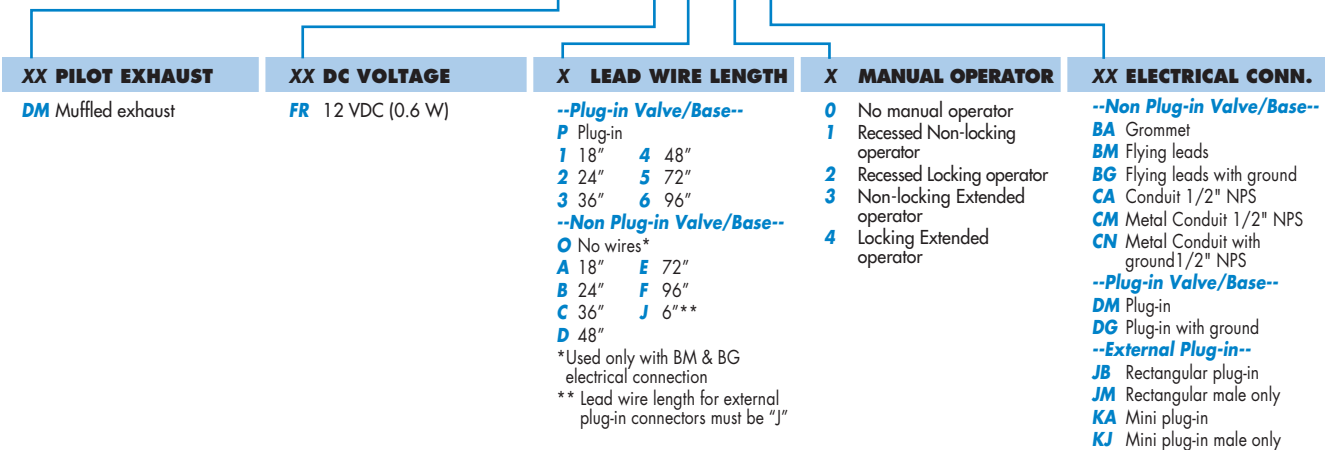
HOW TO ORDER

92B - XXX - XXX - (XX - DXXX - XXX) SEE BELOW



PILOT VALVE OPTIONS

XX - DXXX - XXX



HOW TO ORDER 92 SERIES FLOW CONTROL MODULE*

FC 92C-AA	Plug-in flow control assembly single solenoid
FC 92C-BA	Plug-in flow control assembly double solenoid
FC 92C-CA	Non plug-in flow control assembly

*If flow control module is to be installed between valve and base or valve and manifold at the factory, add -9 after the flow control model number, i.e., FC92C-AA-9. The flow control model number should follow the valve model number on which it is to be installed.

NOTE: If a flow control assembly is used with the dual pressure regulator option, only the flow control on the "B" end is functional. (Controls both cylinder ports.)
NOTE: Consult the general catalog for regulator and circuit bar ordering information.



Codification table for voltages / Manual operator / Electrical connection

VALVE CODE > **-DM- D XX X-X XX**
1 2 3 4

OPTIONS AVAILABLE FOR

- Pilot operated valves 52, 67, 92, 93, 400, ISO1, ISO2, ISO3 Series

1. VOLTAGE		4. ELECTRICAL CONNECTION	
D-XX X-X XX	VOLTAGE	D-XX X-X XX	ELECTRICAL CONNECTION
DA	24 VDC (5.4W)	BA*	Flying leads (grommet)
DB	12 VDC (5.4W)	BK*	BA with protection diode
DC	12 VDC (7.5W)	BL*	BA with protection varistor
DD	24 VDC (7.3W)	BM**	Flying leads (solenoid plug-in)
DE	12 VDC (12.7W)	BN**	BM with protection diode
DF	24 VDC (12.7W)	BP**	BM with protection varistor
DK	110 VDC (4.7W)	BG**	BM with ground
DJ	28 VDC (5.2W)	BH**	BM with protection diode & ground
DL	64 VDC (6.0W)	BJ**	BM with protection varistor & ground
DM	36 VDC (5.3W)	CA*	1/2" NPS conduit with flying leads
DN	6 VDC (6.0W)	CM*	1/2" NPS metal conduit with flying leads
DR	90 VDC (6.6W)	CN*	1/2" NPS metal conduit with flying leads & ground
DS	110 VDC (7.3W)	JB	Rectangular connector
DT	75 VDC (5.6W)	JD	JB with light
DP	48 VDC (5.8W)	JM	Rectangular connector (male only)
FA	12 VDC (1.8W)	KA	Mini square connector
FB	24 VDC (1.8W)	KB	KA with protection diode
FE	12 VDC (2.4W)	KC	KA with protection varistor
FF	24 VDC (2.4W)	KD	KA with light
JA	120/60, 110/50 (2.9W)	KE	KA with light and protection diode
JB	240/60, 220/50 (2.9W)	KF	KA with light and protection varistor
JC	24/60, 24/50 (3.7W)	KG	KA with light & diode
JD	100/60, 100/50, 110/60 (3.9W)	KJ	Mini square connector (male only)
JE	220/60 (3.4W)	KK	KJ with protection diode (male only)
JF	240/50 (2.8W)	KL	KJ with protection varistor (male only)
JG	200/60, 200/50 (3.9W)	TA	Dual tabs with receptacles
		TB	TA with protection diode
		TD	TA with light
		TE	TA with light and protection diode
		TJ	Dual tabs (male only)
		TK	TJ with protection diode
		TM	TJ with light
		TN	TJ with light and protection diode

2. WIRE LENGTH	
D-XX X-X XX	WIRE LENGTH
0	No wires
A	18"
B	24"
C	36"
D	48"
E	72"
F	96"

3. MANUAL OPERATOR	
D-XX X-X XX	MANUAL OPERATOR
0	No operator
1	Non-locking recessed
2	Locking recessed
3	Non-locking extended
4	Locking extended

* From Lead wire length options choose A through F

** From Lead wire length options choose 0 through F

Note: When coil is above 30 volts, a ground wire is required. Applies to options with flying leads.