

MAC PV09 Pulse Valve



The MAC Pulse Valve Series is designed to surpass the performance and reliability of existing pulse valve technology. The MAC solution utilizes a long life, bonded-spool design, instead of the traditional diaphragm style. MAC also uses a balanced pilot valve that isolates the solenoid from airline contamination. Available with integral solenoid pilot as well as bleed pilot configurations.

Ease of Installation

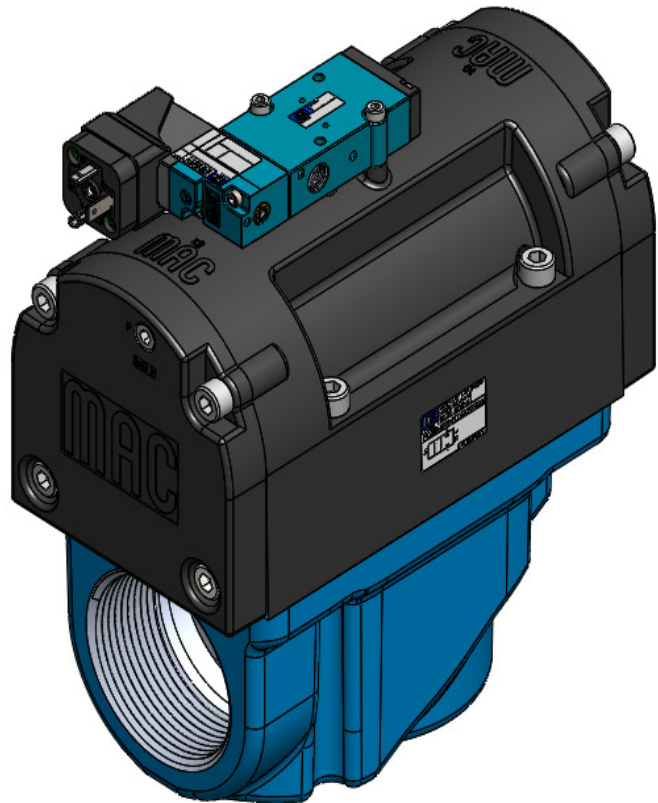
The MAC Pulse Valve can conveniently be installed in virtually any application. A traditional 90° base or optional adapter plate allows the MAC valve to directly replace diaphragm technology with our bonded spool technology without disturbing existing plumbing. You can even use existing remote solenoids or our integral solenoid pilot for the ultimate performance and reliability.

Harsh Environment Compatible

An aluminum die-cast body, Viton® seals and an environmentally protected solenoid are standard features, making the MAC valve chemical resistant and suitable for extreme temperature environments.

Maintenance & Efficiency

The MAC bonded spool pulse valves delivers lower cost of ownership through reduction in downtime and lower air consumption. When necessary, maintenance is simplified with available spool kits.



Spool Kits

Kit

Viton® K-PV003-05

Product Characteristics and Performance

Flow	Temp Range Viton	Pressure Range
100 Cv	-20°F - 230°F	30 - 120 PSI
	-29°C - 110°C	2.07 - 8.27 bar

MAC PV09 Pulse Valve



Integral Pilot PV09B - XXX - 41X - DXXX - XXX = XXXX

Remote Bleed PV09B - XXX - 41X - RBXX = XXXX

Modifications (see below)

Spool Type		Base Port Size & Thread Type		Int / Ext Pilot		Pilot Type		Remote Bleed	
0	Base Only	0	Basic Valve No Base	0	Base Only		Integral	11	NPTF threads
A	N.C. Main W/Memory Spring Viton® Seals Thru-out	A	2" NPTF MAC Base	A	Internal Pilot		M Muffled Exh.	14	BSPPL threads
		B	2 1/2" NPTF MAC Base	B	Ext. Pilot NPTF threads		P Piped Exh.	15	BSPTR threads
		C	2" BSPPL MAC Base	C	Ext. Pilot BSPPL threads		Remote Bleed		
		D	2 1/2" BSPPL MAC Base	D	Ext. Pilot BSPTR threads		0 Remote		
		E	2" BSPTR MAC Base	E	Int. Pilot BSPPL threads				
		F	2 1/2" BSPTR MAC Base	F	Int. Pilot BSPTR threads				

Solenoid Valve Options

- DXXX - XXX

Voltage		Lead Wire Length		Manual Operator		Electrical Connector	
JA	120/60, 110/50	A	18"	0	No Operator	BA	Grommet
JB	240/60, 220/50	B	24"	1	Non Locking	BK	Grommet w/Diode
JD	100/60,100/50,110/60	C	36"			CM	Metal Conduit 1/2"
DA	24VDC (5.4W)	D	48"			CN	Metal Conduit w/Ground 1/2"
EW	24VDC (8.0W)	E	72"			JA	Square Plug-in
DB	12VDC (5.4W)	F	96"			JB	Rectangular Plug-in
DC	12VDC (7.5W)	J	External Plug-In Lead			JC	Square Plug-in w/Light
						JD	Rectangular Plug-in w/Light
						JJ	Square Male Only
						JM	Rectangular Male Only
						KA	Mini Plug-in
						KB	Mini Plug-in w/Diode
						KD	Mini Plug-in w/Light
						KE	Mini Plug-in w/Light & Diode
						KC	Mini Plug-in w/LED & Diode
						KJ	Mini Plug-in Male Only
						KK	Mini Plug-in Male Only w/Diode

Pilot Only Options - Bodies and Assemblies

Note: Revisions A and B are currently available and identified by 4th character in PN. **Be sure to order the same revision you are replacing**

41HA-00A-HX-DXXV-YZZ=XXXX (solenoid operated pilot valve)

See options above and modifications below

41HB-00A-HX-DXXV-YZZ=XXXX (solenoid operated pilot valve)

See options above and modifications below

41HA-00A-H0-RBXX=XXXX (bleed pilot valve)

See options above and modifications below

41HB-00A-H0-RBXX=XXXX (bleed pilot valve)

See options above and modifications below

Modifications - One Selection Required

PVVT Viton Seals, NPTF threads on pilot

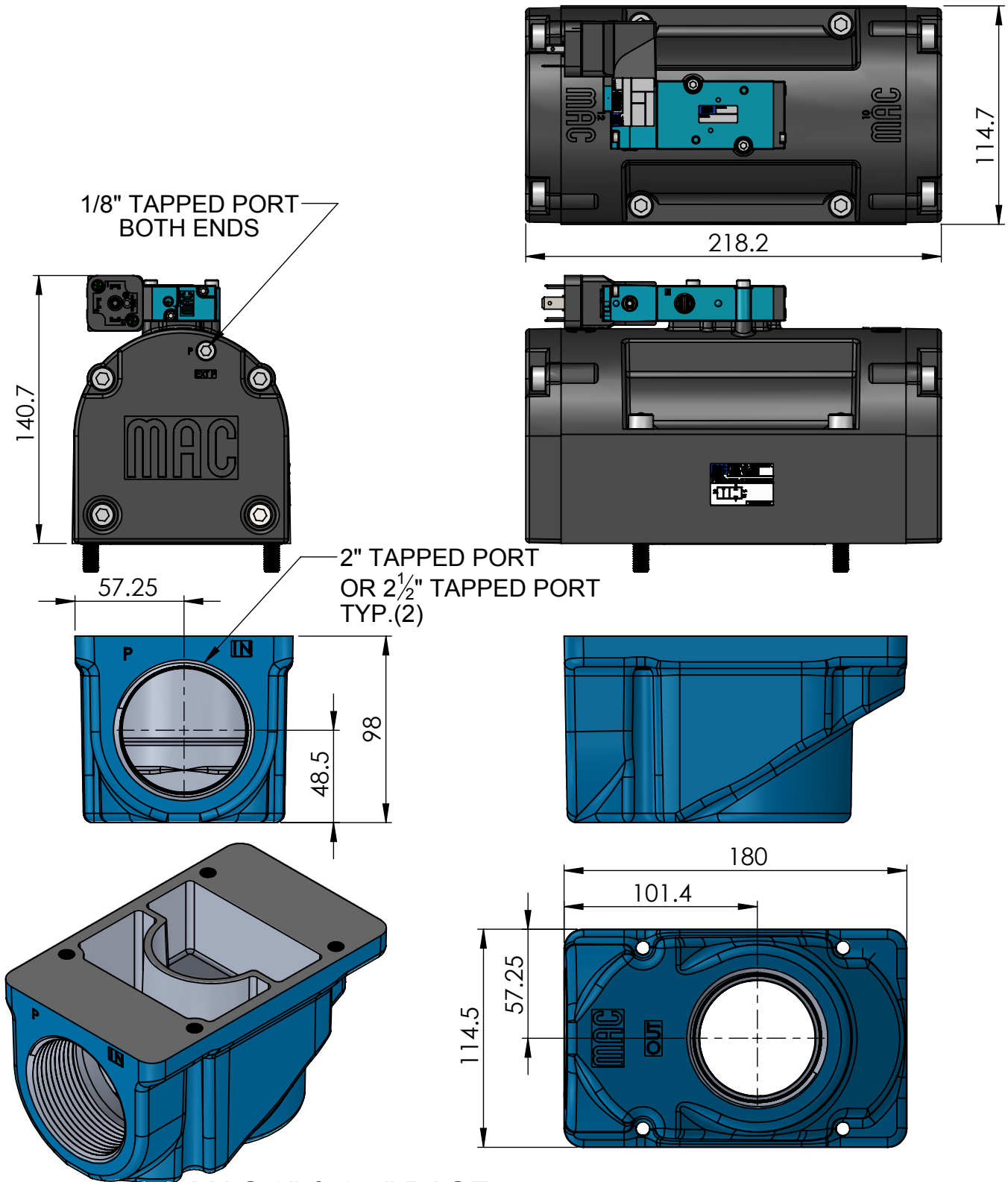
EVVT Viton Seals, BSPPL threads on pilot

PVTR Viton Seals, BSPTR threads on pilot

Spool Kits

K-PV003-05 Viton (includes seals and spring)

MAC PV09 Pulse Valve



MAC 2" & 2.5" BASE

090718