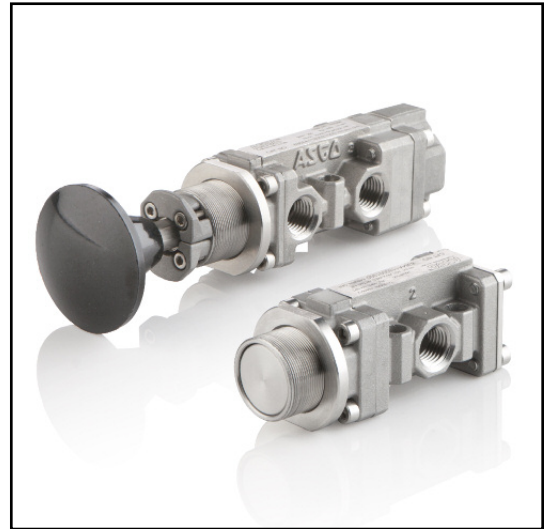


Features

- Ideal for oil and gas control panel applications
- Drop-in replacement design - compatible with most existing applications which eliminates the need to modify existing designs
- NACE compliant
- Corrosion resistant - 316L Stainless Steel valve materials make it ideal for offshore and harsh environments
- Extensive manual and pneumatic options including Main Supply Reset versions
- Rated for air, natural gas and hydraulic oil (Grade 32)



Construction

Valve Parts in Contact with Fluids	
Body	316L Stainless Steel
Spring	Ni-Co Alloy
Seals	FKM
Spool	316L Stainless Steel

Nominal Ambient Temperature Range

Air, natural gas pilot: -10°F to 203°F (-23°C to 95°C)

Hydraulic oil pilot: 14°F to 203°F (-10°C to 95°C)

Refer to Engineering Section for details.

SPECIAL SERVICE
 PILOT

Ordering

8 3 6 4 A 1 1 3 0 0 1 1 0 0 0

Function

- 07 Pilot Operated/Spring Return
- 13 Double Pilot
- 16 Button Operated (guarded)/Spring Return
- 17 Button Operated (unguarded)/Spring Return
- 18 Palm Button with Pilot/Manual Return
- 19 Palm Button with Pilot/Spring Return
- 20 Palm Button with Air Latch Pilot/Spring Return
- 21 Latching Palm Button with Pilot/Spring Return
- 22 Latching Palm Button with Remote Air Latch Pilot/Spring Return
- 24 Indicating Palm Button with Air Latch Pilot/Spring Return
- 26 Indicating, Latching Palm Button with Air Latch Pilot/Spring Return
- 27 Indicating, Latching Palm Button with Pilot/Spring Return
- 28 Indicating Palm Button with Air Latch Pilot and Loss of Pressure Trip/Spring Return
- 29 Latching Palm Button with Air Latch Pilot/Spring Return

Construction / Pilot

- 0 Normally Closed / Externally Piloted
- 1 Normally Open / Externally Piloted
- 2 Normally Closed , Closed Center / Externally Piloted
- 7 Detent / Externally Piloted

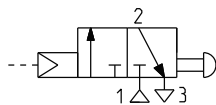
SPECIAL SERVICE
PILOT

Manually Operated

Button (guarded/unguarded)/Spring Return



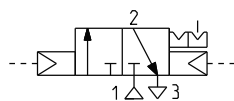
Palm Button with Pilot/Manual Return



Pilot Operated/Spring Return

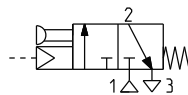


Double Pilot

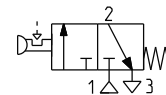


Manual Reset Options - Non Indicating

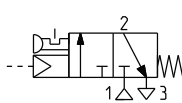
Palm Button with Air Pilot/Spring Return



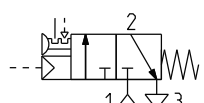
Palm Button with Air Latch Pilot/Spring Return



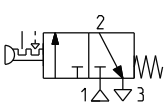
Latching Palm Button with Air Pilot/Spring Return



Latching Palm Button with Remote Air Latch Pilot/Spring Return

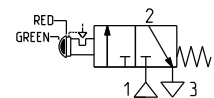


Latching Palm Button with Air Latch Pilot/Spring Return

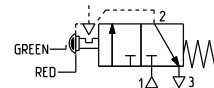


Manual Reset Options - Indicating

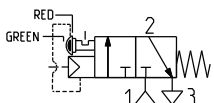
Indicating Palm Button with Air Latch Pilot/Spring Return



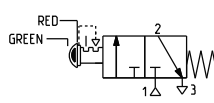
Indicating Palm Button with Air Latch Pilot and Loss of Pressure Trip/Spring Return



Indicating, Latching Palm Button with Air Pilot/Spring Return



Indicating, Latching Palm Button with Air Latch Pilot/Spring Return



Specifications English units (Metric)

Pipe Size (in)	Flow Cv (Kv)	Base Catalog Number	Operating Pressure Differential psi (bar)		External Pilot Pressure psi (bar)			Max. Fluid Temp. °F (°C)	Function	Const. Ref.
			Min.	Max.	Min.		Max.			
					Air/Natural Gas	Hydraulic oil (Grade 32)				
Normally Open / Externally Piloted										
1/4	1.1 (0.95)	8364A1160011000	0	200 (13.8)	-	-	-	203 (95)	Button Operated (guarded)/Spring Return	1
1/4	1.1 (0.95)	8364A1170011000	0	200 (13.8)	-	-	-	203 (95)	Button Operated (unguarded)/Spring Return	2
1/4	1.1 (0.95)	8364A1070011000	0	200 (13.8)	36 (2.5)	-	200 (13.8)	203 (95)	Pilot Operated/Spring Return	3
Normally Closed, Closed Center / Externally Piloted										
1/4	0.8 (0.71)	8364A1160021000	0	200 (13.8)	-	-	-	203 (95)	Button Operated (guarded)/Spring Return	4
1/4	0.8 (0.71)	8364A1070021000	0	200 (13.8)	36 (2.5)	70*/90**	200 (13.8)	203 (95)	Pilot Operated/Spring Return	5
1/4	0.8 (0.71)	8364A1180021000	0	200 (13.8)	15 (1)	70*/90**	200 (13.8)	203 (95)	Palm Button with Pilot/Manual Return	6
Normally Closed / Externally Piloted										
1/4	1.6 (1.38)	8364A1160001000	0	200 (13.8)	-	-	-	203 (95)	Button Operated (guarded)/Spring Return	1
1/4	1.6 (1.38)	8364A1170001000	0	200 (13.8)	-	-	-	203 (95)	Button Operated (unguarded)/Spring Return	7
1/4	1.6 (1.38)	8364A1070001000	0	200 (13.8)	36 (2.5)	-	200 (13.8)	203 (95)	Pilot Operated/Spring Return	3
1/4	1.6 (1.38)	8364A1180001000	0	200 (13.8)	15 (1)	-	200 (13.8)	203 (95)	Palm Button with Pilot/Manual Return	6
1/4	1.6 (1.38)	8364A1190001000	0	200 (13.8)	25 (1.7)	-	200 (13.8)	203 (95)	Palm Button with Pilot/Spring Return	6
1/4	1.6 (1.38)	8364A1200001000	0	200 (13.8)	40 (2.8)	-	200 (13.8)	203 (95)	Palm Button with Air Latch Pilot/Spring Return	8
1/4	1.6 (1.38)	8364A1210001000	0	200 (13.8)	25 (1.7)	-	200 (13.8)	203 (95)	Latching Palm Button with Pilot/Spring Return	9
1/4	1.6 (1.38)	8364A1270001000	0	200 (13.8)	25 (1.7)	-	200 (13.8)	203 (95)	Indicating, Latching Palm Button with Pilot/Spring Return	10
1/4	1.6 (1.38)	8364A1240001000	0	200 (13.8)	40 (2.8)	-	200 (13.8)	203 (95)	Indicating Palm Button with Air Latch Pilot/Spring Return	11
1/4	1.6 (1.38)	8364A1290001000	0	200 (13.8)	40 (2.8)	-	200 (13.8)	203 (95)	Latching Palm Button with Air Latch Pilot/Spring Return	12
1/4	1.6 (1.38)	8364A1260001000	0	200 (13.8)	40 (2.8)	-	200 (13.8)	203 (95)	Indicating, Latching Palm Button with Air Latch Pilot/Spring Return	13
1/4	1.6 (1.38)	8364A1280001000	0	75 (5.2)	40 (2.8)	-	75 (5.2)	203 (95)	Indicating Palm Button with Air Latch Pilot and Loss of Pressure Trip/Spring Return	11
1/4	1.6 (1.38)	8364A1220001000	0	200 (13.8)	50 (3.4)	-	200 (13.8)	203 (95)	Latching Palm Button with Remote Air Latch Pilot/Spring Return	14
Detent / Externally Piloted										
1/4	1.6 (1.38)	8364A1130071000	0	200 (13.8)	15 (1)	-	200 (13.8)	203 (95)	Double Pilot	15

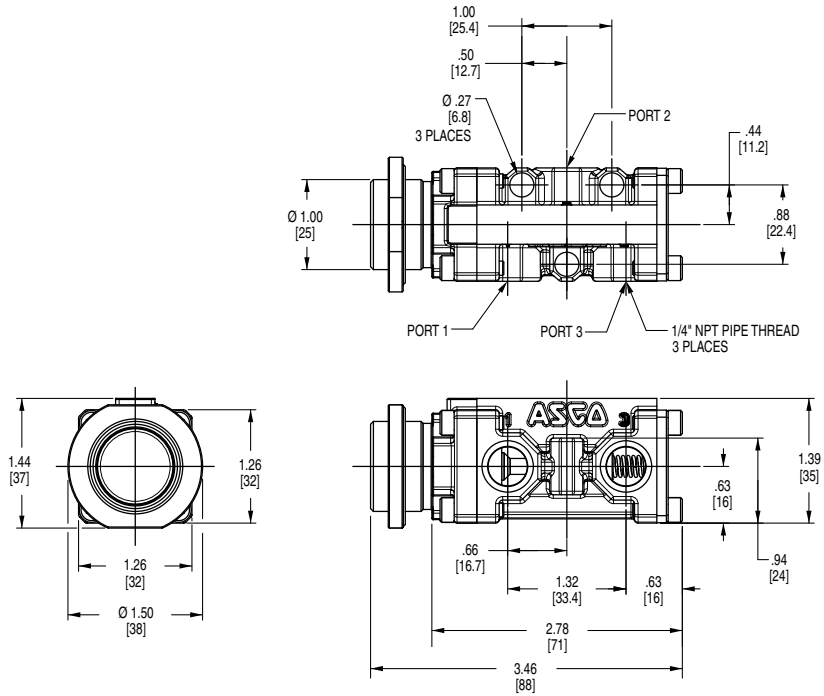
*When Pilot Media is Air and Main Valve Media is Hydraulic Oil: Min. Pilot Pressure is 70 psi (4.8 bar)

**When Pilot Media is Hydraulic Oil and Main Valve Media is Hydraulic Oil: Min. Pilot Pressure is 90 psi (6.2 bar)

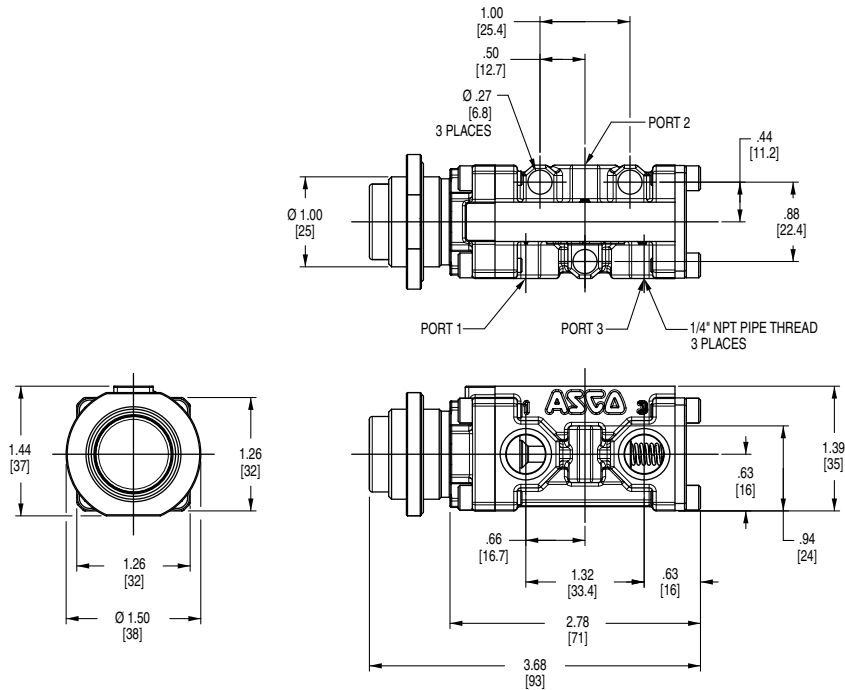
SPECIAL SERVICE
PILOT

Dimensions: inches (mm)

Const. Ref. 1



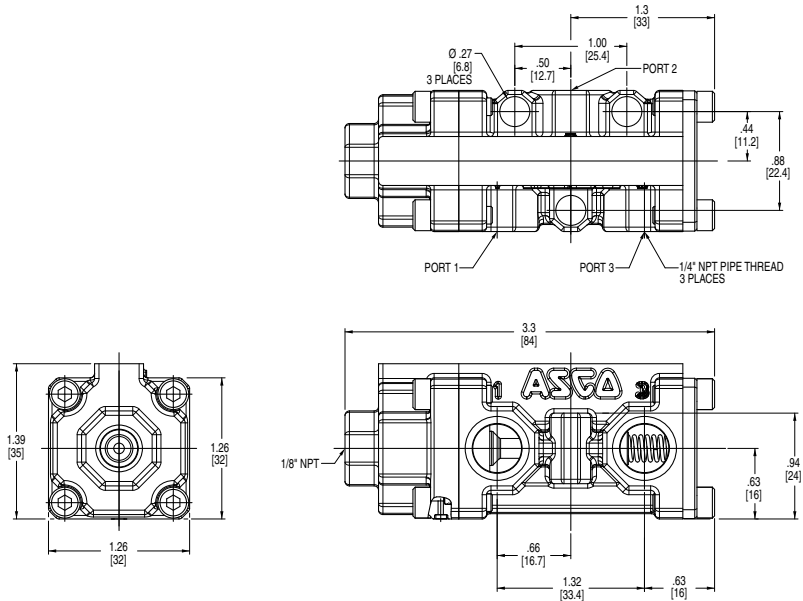
Const. Ref. 2



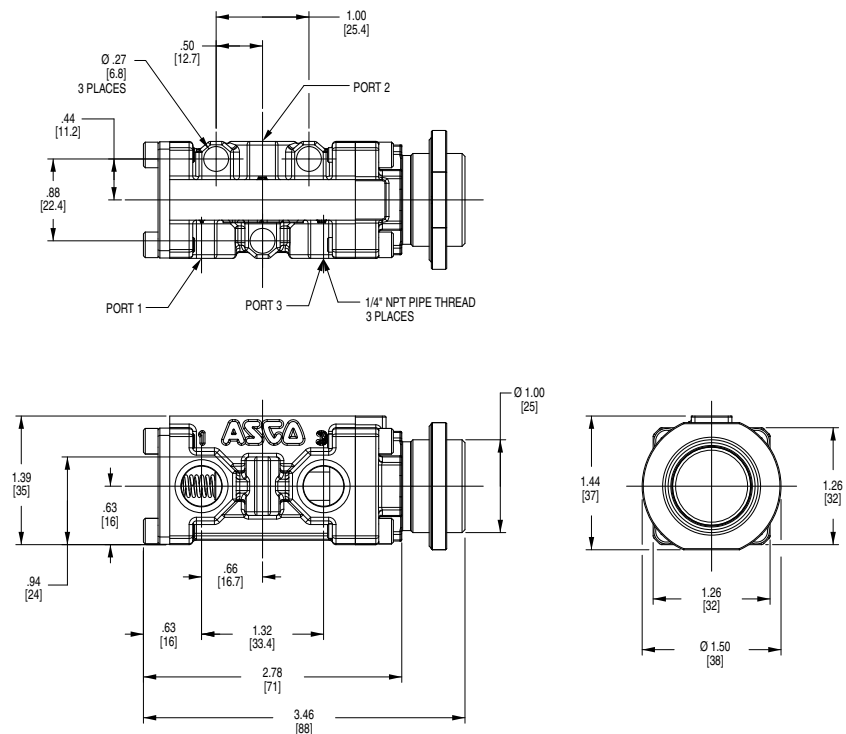
SPECIAL SERVICE
PILOT

Dimensions: inches (mm)

Const. Ref. 3



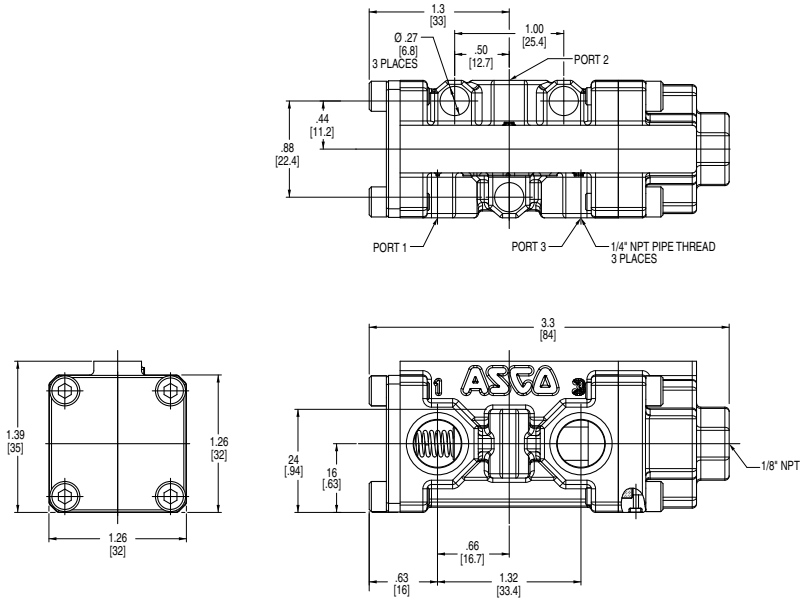
Const. Ref. 4



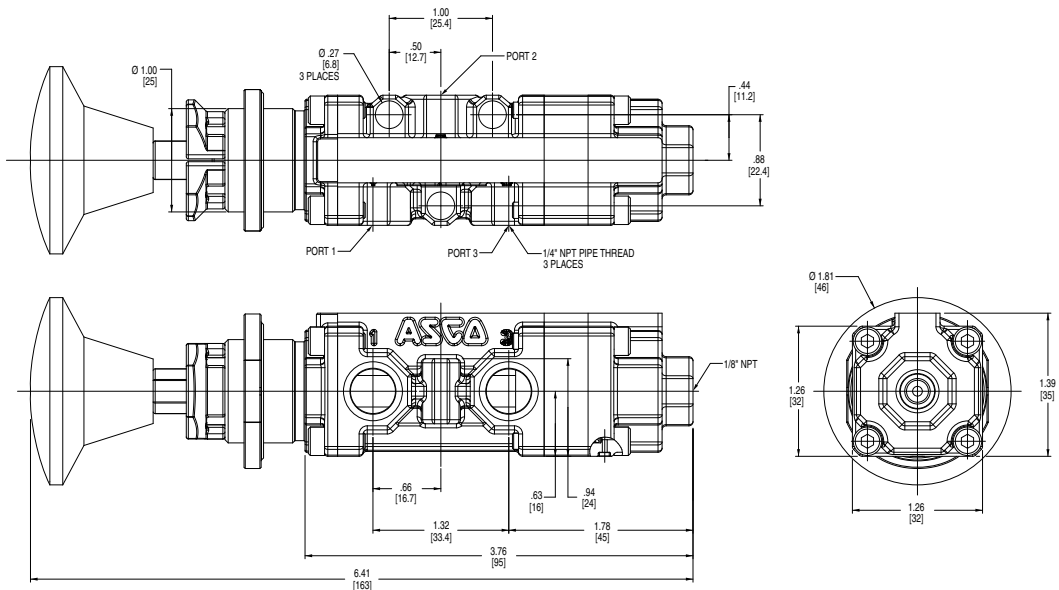
SPECIAL SERVICE
PILOT

Dimensions: inches (mm)

Const. Ref. 5



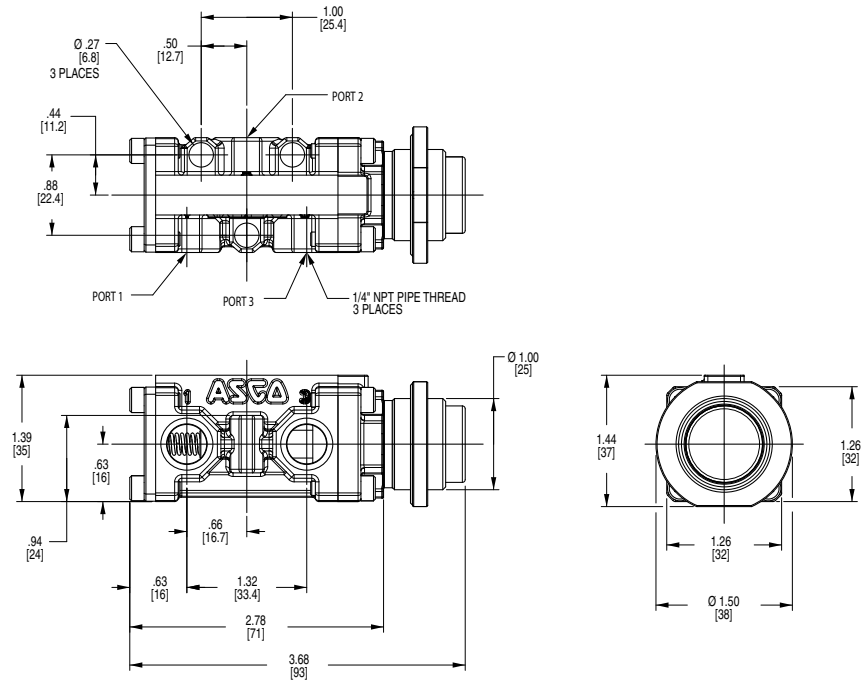
Const. Ref. 6



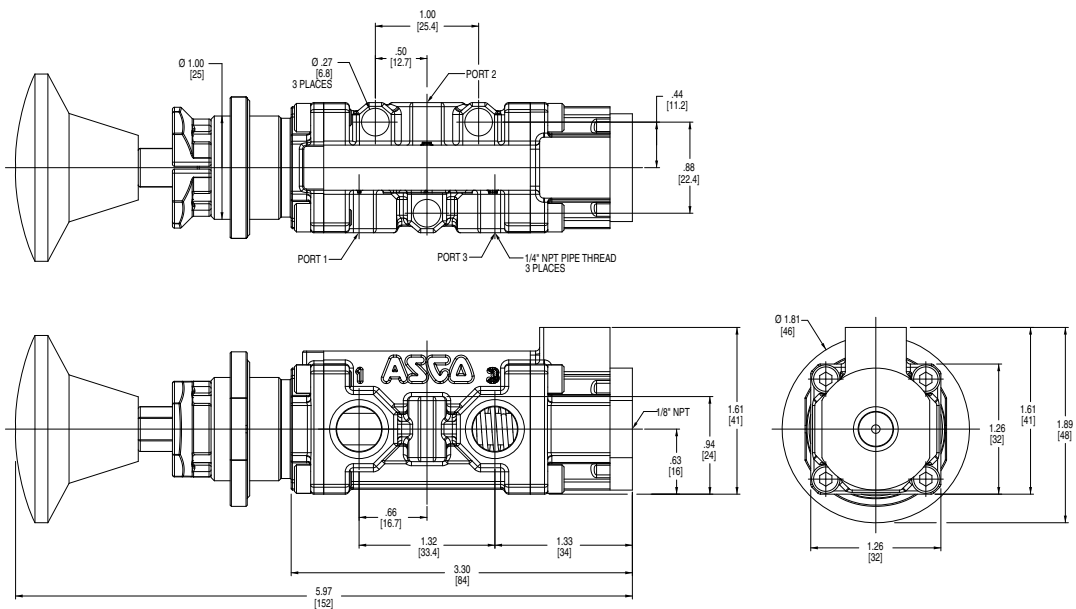
SPECIAL SERVICE
PILOT

Dimensions: inches (mm)

Const. Ref. 7



Const. Ref. 8

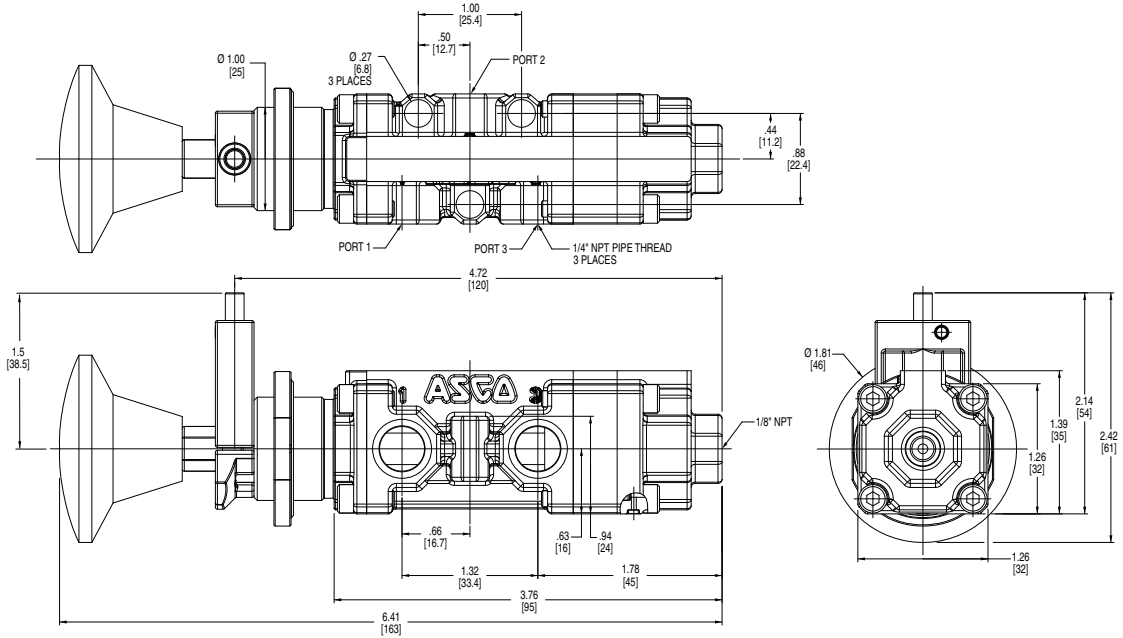


SPECIAL SERVICE
PILOT

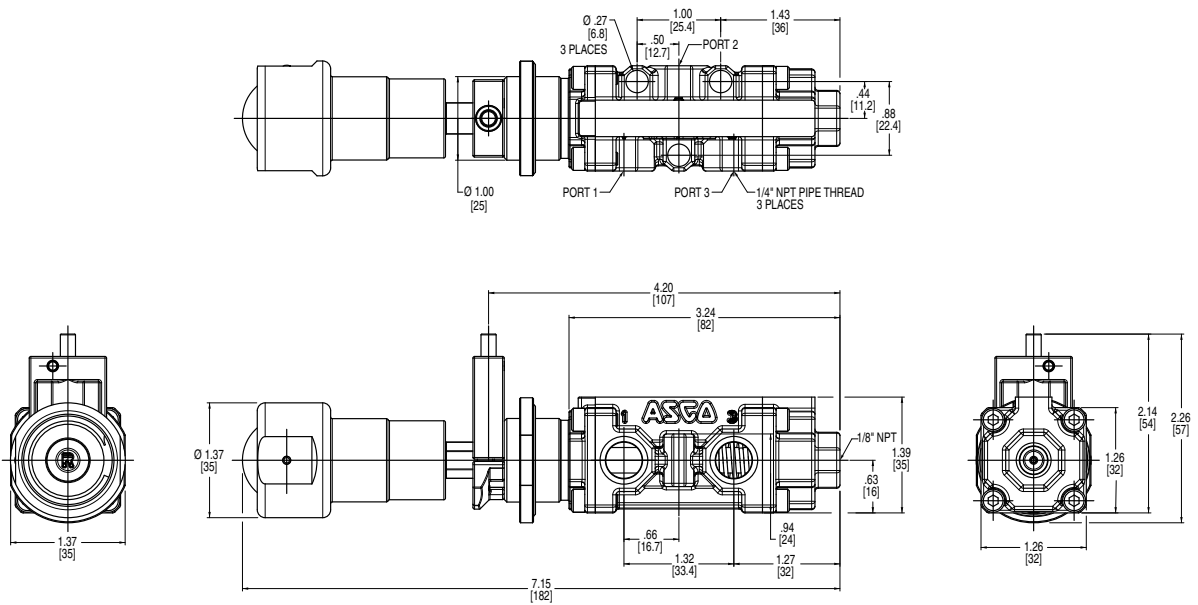
**3/2
SERIES
364**

Dimensions: inches (mm)

Const. Ref. 9



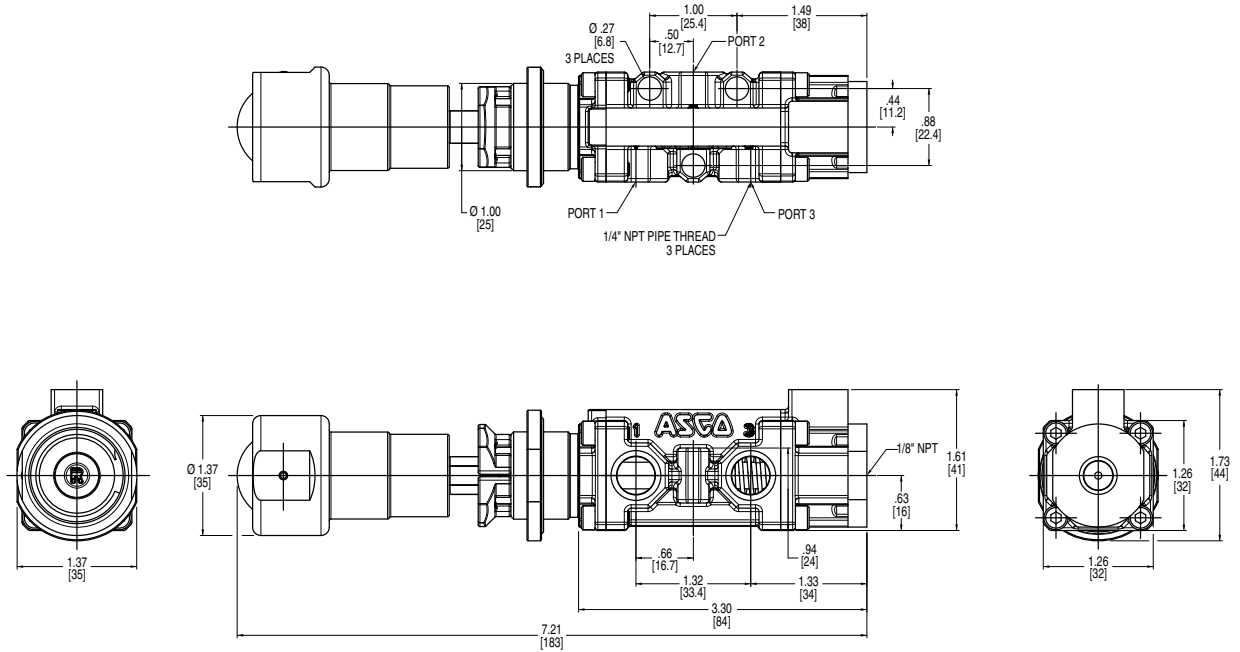
Const. Ref. 10



**SPECIAL SERVICE
PILOT**

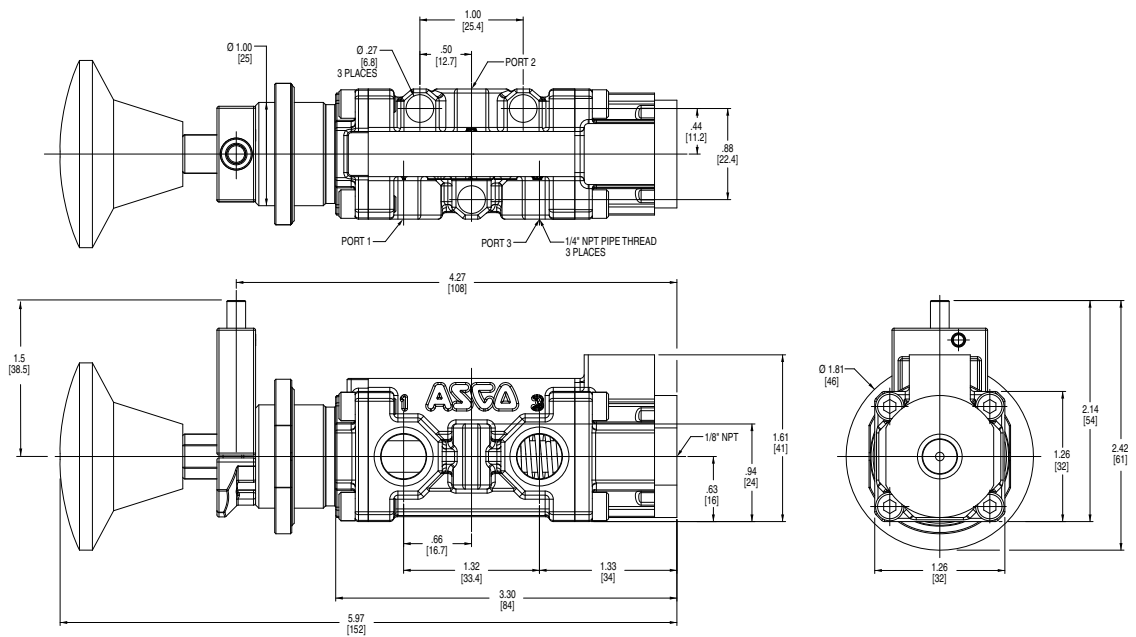
Dimensions: inches (mm)

Const. Ref. 11



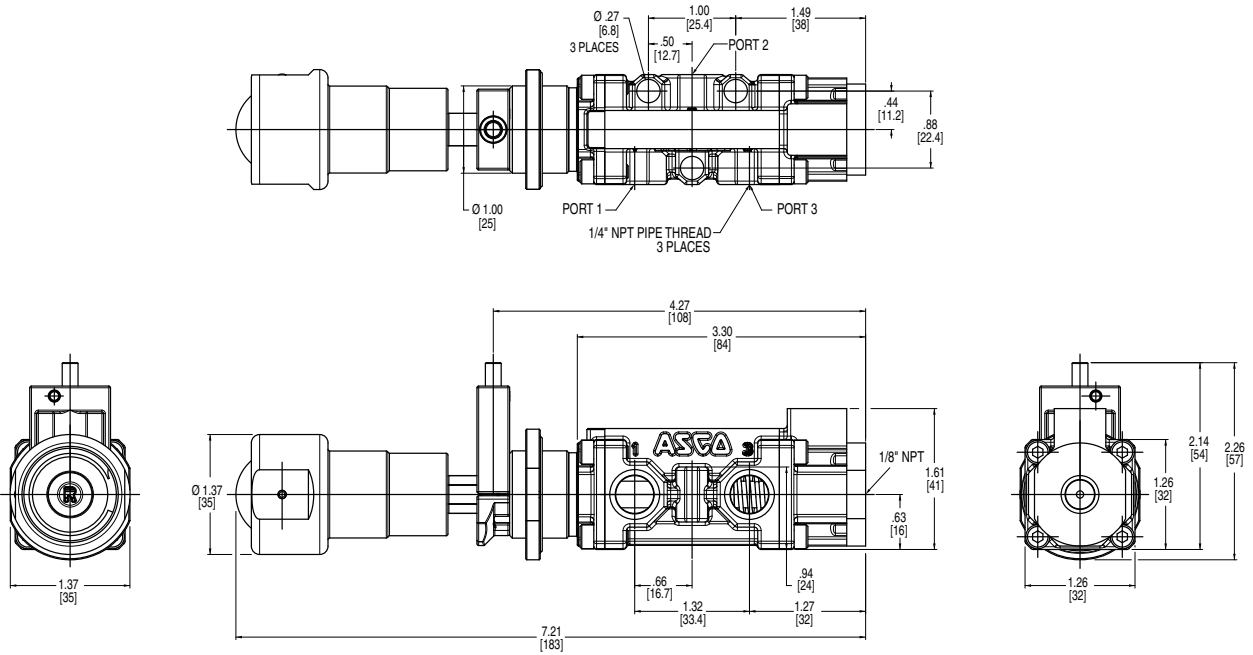
SPECIAL SERVICE
PILOT

Const. Ref. 12

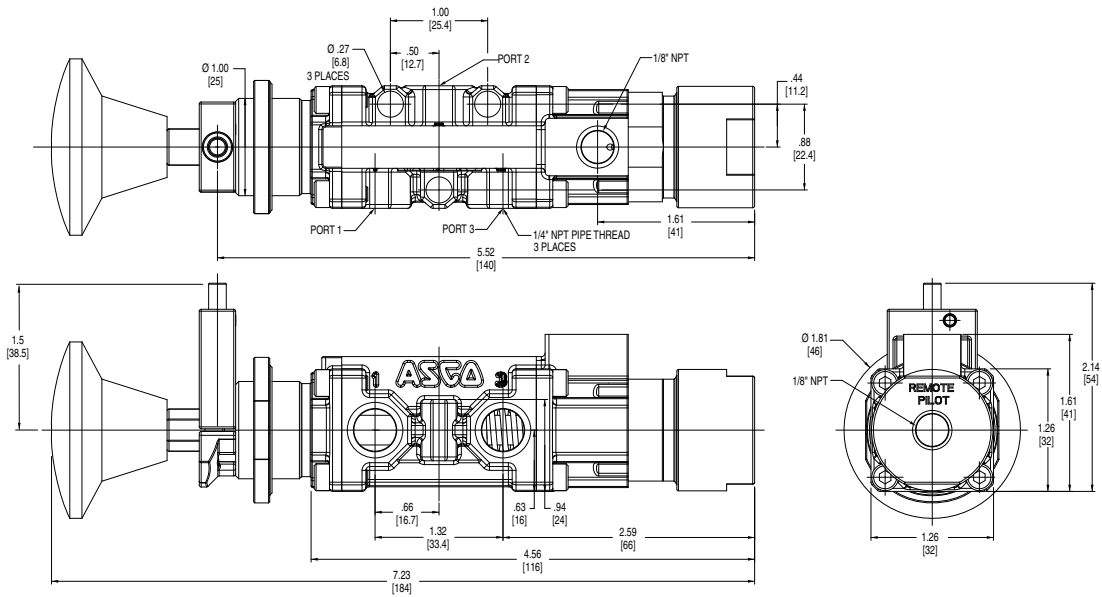


Dimensions: inches (mm)

Const. Ref. 13



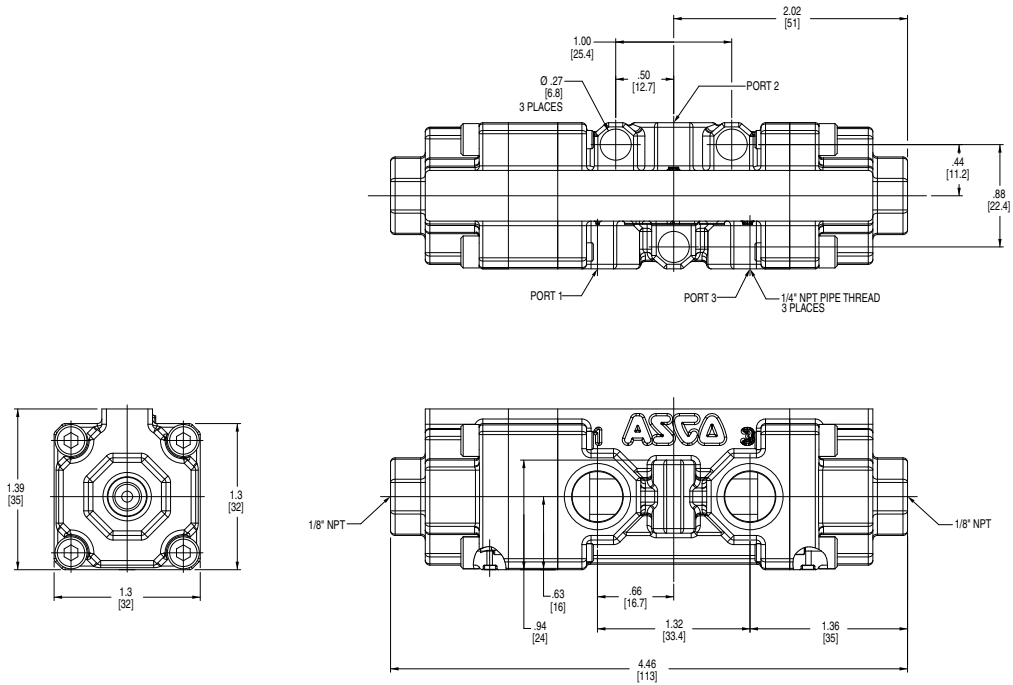
Const. Ref. 14



SPECIAL SERVICE
PILOT

Dimensions: inches (mm)

Const. Ref. 15



SPECIAL SERVICE
PILOT

SPECIAL SERVICE
PILOT