

Features

- 2-way normally closed operation
- Pressures up to 540 psi
- UL and CSA agency approvals
- Suitable for low ambient environments (-13°F standard, -40°F optional)

Construction

| Valve Parts in Contact with Fluids | | |
|------------------------------------|----------------------|--------------------------|
| Body | Brass | Cast 304 Stainless Steel |
| Seals and Discs | NBR | |
| Core Tube | 305 Stainless Steel | |
| Core and Plugnut | 430F Stainless Steel | |
| Core Guide | Acetel | |
| Rider Ring | PTFE | |
| Springs | Inconel 600 | |
| Shading Coil | Copper | Silver |

Electrical

| Standard Coil and Class of Insulation | Watt Rating and Power Consumption | | | Spare Coil Part No. | |
|---------------------------------------|-----------------------------------|------------|-----------|---------------------|----------------|
| | AC | | | General Purpose | Explosionproof |
| | Watts | VA Holding | VA Inrush | AC | AC |
| F | 10.1 | 25 | 50 | 238610 | 238614 |
| F | 17.1 | 40 | 70 | 238610 | 238614 |

Standard Voltages: 24, 120, 240, 480 volts AC, 60 Hz (or 110, 220 volts AC, 50 Hz).
 Must be specified when ordering. Other voltages available when required.

Solenoid Enclosures

Standard: Watertight, Types 1, 2, 3, 3S, 4, and 4X.

Optional: Explosionproof and Watertight, Types 3, 3S, 4, 4X, 6, 6P, 7, and 9.
 (To order, add prefix "EF" to catalog number)

See *Optional Features Section* for other available options.

Options

Panel Mount (prefix GP)

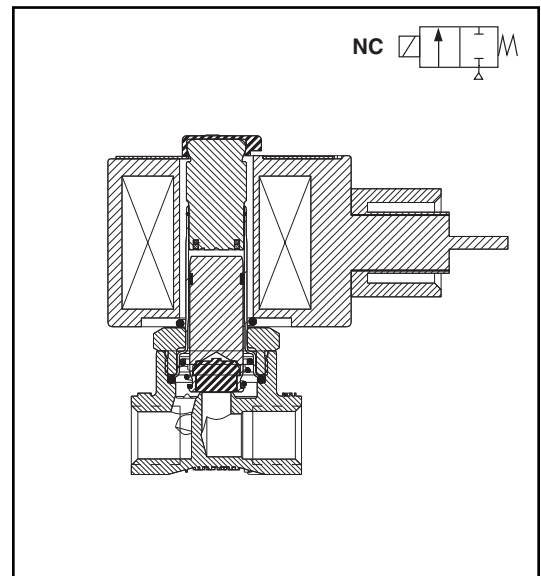
Mounting bracket (suffix MB)

Vacuum Service (suffix VH; see *Vacuum Section* for more details.)

Silicone Free Service (suffix SF)

Elastomers: FKM (suffix V), Low Temp. NBR (suffix A)

Refer to *Engineering Section* for fluid and temperature compatibility.



SPECIAL SERVICE VALVES

Nominal Ambient Temp. Ranges

Standard: -13°F to 131°F (-25°C to 55°C)*

*Max ambient for explosionproof (EF) is 125°F (52°C)

Optional: For AC, the max. ambient temp. is 140°F (60°C) with Class H coil (with or without prefix EF)

Refer to *Engineering Section* for details.

Approvals

CSA certified. UL listed, Safety Shutoff Valves.

Meets applicable CE directives.

Refer to *Engineering Section* for details.

Specifications (English units)

| Pipe Size (in) | Orifice Size (in) | Cv Flow Factor | Operating Pressure Differential (psi) | | Max. Fluid Temp. °F | Catalog Number | | Const. Ref. | UL Listing | Watt Rating/Class of Coil Insulation |
|----------------|-------------------|----------------|---------------------------------------|---------|---------------------|----------------|-----------------|-------------|------------|--------------------------------------|
| | | | Min. | Max. AC | | Brass | Stainless Steel | | | |
| Dry Air | | | | | | | | | | |
| 1/4 | 3/32 | 0.21 | 0 | 540 | 180 | 8262H109P | 8262H183P | 1 | ○ | 17.1/F |
| 1/4 | 3/32 | 0.21 | 0 | 380 | 180 | 8262H108P | 8262H182P | 1 | ○ | 10.1/F |
| 1/4 | 1/8 | 0.35 | 0 | 325 | 180 | 8262H110P | 8262H185P | 1 | ○ | 17.1/F |
| 1/4 | 1/8 | 0.35 | 0 | 265 | 180 | 8262H232P | 8262H184P | 1 | ○ | 10.1/F |
| 1/4 | 5/32 | 0.60 | 0 | 175 | 180 | 8262H112P | 8262H187P | 1 | ○ | 17.1/F |
| 1/4 | 5/32 | 0.60 | 0 | 140 | 180 | 8262H202P | 8262H220P | 1 | ○ | 10.1/F |
| 1/4 | 7/32 | 0.87 | 0 | 125 | 180 | 8262H114P | 8262H188P | 1 | ○ | 17.1/F |
| 1/4 | 7/32 | 0.87 | 0 | 90 | 180 | 8262H208P | 8262H226P | 1 | ○ | 10.1/F |
| 1/4 | 9/32 | 1 | 0 | 75 | 180 | 8262H212P | 8262H230P | 1 | ○ | 17.1/F |
| 1/4 | 9/32 | 1 | 0 | 50 | 180 | 8262H210P | 8262H189P | 1 | ○ | 10.1/F |

○ = Safety Shutoff Valve

Specifications (Metric units)

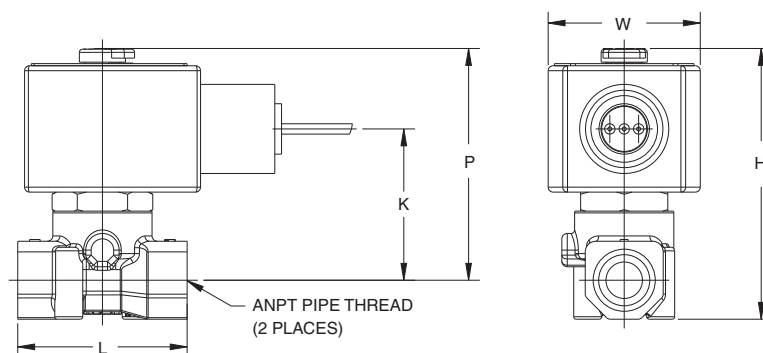
| Pipe Size (in) | Orifice Size (mm) | Kv Flow Factor (m³/h) | Operating Pressure Differential (bar) | | Max. Fluid Temp. °C | Catalog Number | | Const. Ref. | UL Listing | Watt Rating/Class of Coil Insulation |
|----------------|-------------------|-----------------------|---------------------------------------|---------|---------------------|----------------|-----------------|-------------|------------|--------------------------------------|
| | | | Min. | Max. AC | | Brass | Stainless Steel | | | |
| Dry Air | | | | | | | | | | |
| 1/4 | 2.4 | 0.18 | 0 | 37 | 82 | 8262H109P | 8262H183P | 1 | ○ | 17.1/F |
| 1/4 | 2.4 | 0.18 | 0 | 26 | 82 | 8262H108P | 8262H182P | 1 | ○ | 10.1/F |
| 1/4 | 3.2 | 0.30 | 0 | 22 | 82 | 8262H110P | 8262H185P | 1 | ○ | 17.1/F |
| 1/4 | 3.2 | 0.30 | 0 | 18 | 82 | 8262H232P | 8262H184P | 1 | ○ | 10.1/F |
| 1/4 | 4.0 | 0.52 | 0 | 12 | 82 | 8262H112P | 8262H187P | 1 | ○ | 17.1/F |
| 1/4 | 4.0 | 0.52 | 0 | 10 | 82 | 8262H202P | 8262H220P | 1 | ○ | 10.1/F |
| 1/4 | 5.6 | 0.75 | 0 | 9 | 82 | 8262H114P | 8262H188P | 1 | ○ | 17.1/F |
| 1/4 | 5.6 | 0.75 | 0 | 6 | 82 | 8262H208P | 8262H226P | 1 | ○ | 10.1/F |
| 1/4 | 7.1 | 0.86 | 0 | 5 | 82 | 8262H212P | 8262H230P | 1 | ○ | 17.1/F |
| 1/4 | 7.1 | 0.86 | 0 | 3 | 82 | 8262H210P | 8262H189P | 1 | ○ | 10.1/F |

○ = Safety Shutoff Valve

Dimensions: inches (mm)

| Const. Ref. | | H | K | L | P | W |
|-------------|-----|------|------|------|------|------|
| 1 | ins | 3.12 | 1.77 | 1.56 | 2.76 | 1.95 |
| | mm | 79 | 45 | 40 | 70 | 50 |

Const. Ref. 1



SPECIAL SERVICE VALVES