

Features

- DC construction (12 & 24 VDC)
- High-force closing spring provides positive shutoff for reverse pressure up to 15" W.C.
- Low Power 24 VDC Peak & Hold: Reduces energy consumption to 3.2 W (Hold). Ideal for remote power-critical installations (2" High Flow to 3")
- Broad ambient temperature range: -40°F to 140°F (-40°C to 60°C)
- 2-way normally closed operation
- Zero differential piloted diaphragm
- High-flow die-cast aluminum bodies
- 1/8" NPT pipe taps with plugs for routine testing
- Optional flange adapters for ease of installation and service
- For on/off control of fuel gas in emergency and standby power systems requiring a primary and alternate fuel source

Fluid

Fuel Gas

Construction

Valve Parts in Contact with Fluids	
Body	Aluminum
Seals and Disc	NBR
Core Bushing	PTFE Coated Fiberglass
Core, Bonnet and Plugnut	Zinc-Plated CRS
Springs	302 Stainless Steel
Pipe Plug	Zinc-Plated Steel
Pilot Seat	302 Stainless Steel

Electrical

Standard Coil and Class of Insulation	Pipe Sizes (in)	Watt Rating (DC)			Ambient Temp. °F (°C)
		Standard	Peak Watts	Hold Watts	
H	3/4" to 2"	45	-	-	-40 to 140 (-40 to 60)
F	2" High Flow to 3"	-	61	3.2	

Standard DC Voltages: 12, 24 (3/4" to 2"); 24 only (2" High Flow to 3")

Solenoid Enclosures

Open Frame: 18" leads std; 72" leads optional

Type 1 General Purpose: Metal housing with 7/8" hole for 1/2" conduit connection

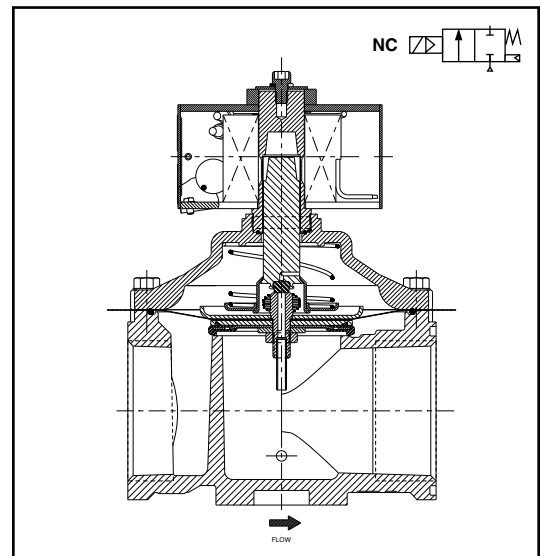
Valve Response Time

Valve Opening/Closing Time: Less than 1 second

Closeoff Pressure

50 psi (3.5 bar) maximum (3/4" to 2")

5 psi (0.35 bar) maximum (2" High Flow to 3")



Approvals

Open Frame: UL recognized component to standard 429 "Electrically Operated Valve", Guide Y10Z2, File MP618 Safety Valves

General Purpose: UL Listed to standard 429 "Electrically Operated Valve", Guide Y10Z, File MP618 Safety Valves

Open Frame/General Purpose: CSA Certified to:

- 1) Standard C22.2 No.139 "Electrically Operated Valves", File 010381
- 2) Automatic Gas Valves Z21.21, CSA 6.5 C/I, File 112872

How to Order (Example: X214439998001H3)

X 2 1 4 4 3 9 9 9 8	0 0 1	H 3
Base Catalog Number	Item	Voltage / Class
X214439998 Small body, Open frame	001* 3/4" 002* 1" 003* 1-1/4" 004* 1-1/2"	H3 12VDC / H H1 24VDC / H
X214439999 Medium body Open frame	005* 1-1/4", High flow 006* 1-1/2", High flow 007* 2"	H3 12VDC / H H1 24VDC / H
X214440000 Large body, Type 1 General Purpose Enclosure	018 2", High flow 019 2-1/2" 010 3"	F1 24VDC / F

* 18" leads std. For 72" Leads change 1st digit to 1 (example, 101)

Specifications (English units)

Pipe Size (in)	Orifice Size (in)	Cv Flow Factor	Fuel Gas Capacity		Operating Pressure Differential (psi)		Max. Fluid Temp. °F	Base Catalog Number	Item	Const. Ref.	Agency		Wattage DC	Approx. Shipping Weight (lbs)
			Btu/hr. ①	Btu/hr. ②	Min.	Max.					UL	CSA		
Open Frame														
3/4"	1 5/8	11	593,200	1,411,500	0	5	140	X214439998	001 ③	1	○	○	45	9.2
1"	1 5/8	21	1,132,300	2,695,000	0	5	140		002 ③	1	○	○	45	9
1-1/4"	1 5/8	32	1,725,500	4,107,000	0	5	140		003 ③	1	○	○	45	8.9
1-1/2"	1 5/8	35	1,887,200	4,492,000	0	5	140		004 ③	1	○	○	45	8.7
1-1/4" (High Flow)	2 3/32	36	1,925,000	4,620,000	0	5	140	X214439999	005 ③	2	○	○	45	10.2
1-1/2" (High Flow)	2 3/32	45	2,406,000	5,775,500	0	5	140		006 ③	2	○	○	45	10
2"	2 3/32	55	2,940,500	7,059,000	0	5	140		007 ③	2	○	○	45	9.7
General Purpose														
2 (High Flow)	3	75	4,044,100	15,388,000	0	5	140	X214440000	018	3	○	○	61/3.2 ④	19.2
2-1/2	3	104	5,607,800	21,339,000	0	5	140		019	3	○	○	61/3.2 ④	18.5
3	3	105	5,661,700	21,544,000	0	5	140		010	3	○	○	61/3.2 ④	17.5

○ = Safety Shutoff Valve. ① 1" W.C. Drop @ 2" W.C. Inlet Pressure, 1,000 Btu/cu.ft. or more, 0.64 Specific Gravity Gas. ② Per CSA 6.5 @ 25% Inlet Pressure / 10% pressure drop. ③ 18" leads standard. For 72" leads change 1st digit to 1 (example, 101). ④ Peak & Hold Construction, 61 watts for up to 2 seconds to pull in and 3.2 watts to hold.

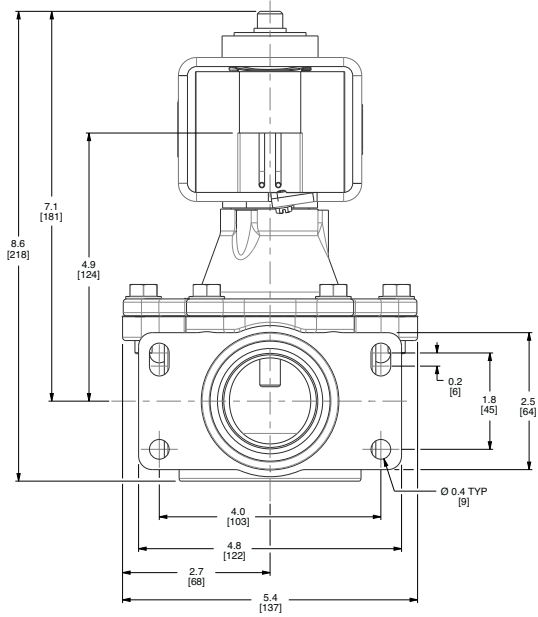
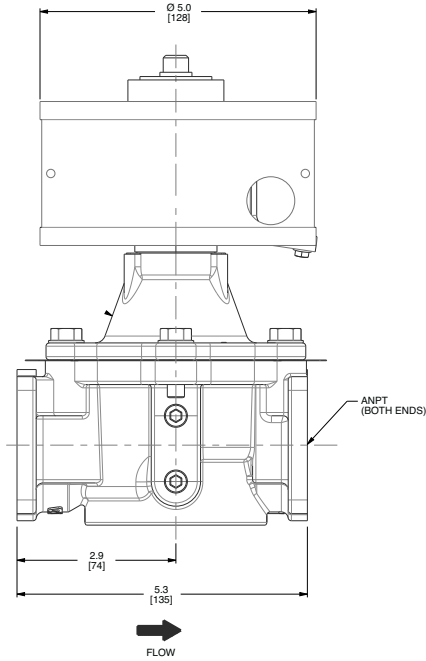
Specifications (Metric units)

Pipe Size (in)	Orifice Size (in)	Kv Flow (m³/hr)	Fuel Gas Capacity		Operating Pressure Differential (bar)		Max. Fluid Temp. °C	Base Catalog Number	Item	Const. Ref.	Agency		Wattage DC	Approx. Shipping Weight (kgs)
			Btu/hr. ①	Btu/hr. ②	Min.	Max.					UL	CSA		
Open Frame														
3/4"	41	9.4	593,200	1,411,500	0	0.3	60	X214439998	001 ③	1	○	○	45	4.2
1"	41	17.9	1,132,300	2,695,000	0	0.3	60		002 ③	1	○	○	45	4.1
1-1/4"	41	27.3	1,725,500	4,107,000	0	0.3	60		003 ③	1	○	○	45	4
1-1/2"	41	29.9	1,887,200	4,492,000	0	0.3	60		004 ③	1	○	○	45	3.9
1-1/4" (High Flow)	53	30.7	1,925,000	4,620,000	0	0.3	60	X214439999	005 ③	2	○	○	45	4.6
1-1/2" (High Flow)	53	38.4	2,406,000	5,775,500	0	0.3	60		006 ③	2	○	○	45	4.5
2"	53	46.9	2,940,500	7,059,000	0	0.3	60		007 ③	2	○	○	45	4.4
General Purpose														
2 (High Flow)	76	64	4,044,100	15,388,000	0	0.3	60	X214440000	018	3	○	○	61/3.2 ④	8.7
2-1/2	76	88.7	5,607,800	21,339,000	0	0.3	60		019	3	○	○	61/3.2 ④	8.4
3	76	89.6	5,661,700	21,544,000	0	0.3	60		010	3	○	○	61/3.2 ④	7.9

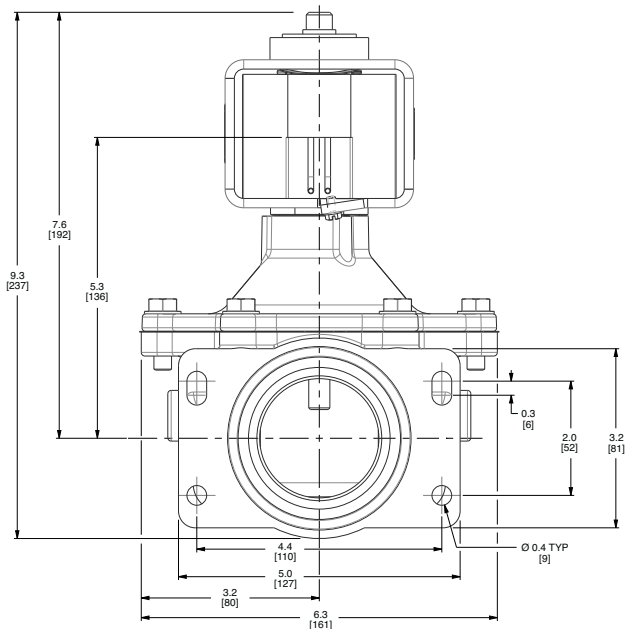
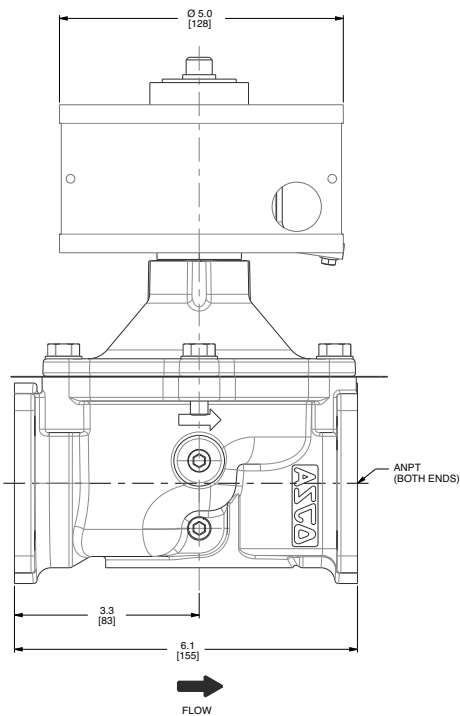
○ = Safety Shutoff Valve. ① 1" W.C. Drop @ 2" W.C. Inlet Pressure, 1,000 Btu/cu.ft. or more, 0.64 Specific Gravity Gas. ② Per CSA 6.5 @ 25% Inlet Pressure / 10% pressure drop. ③ 18" leads standard. For 72" leads change 1st digit to 1 (example, 101). ④ Peak & Hold Construction, 61 watts for up to 2 seconds to pull in and 3.2 watts to hold.

Dimensions inches (mm)

Const. Ref. 1

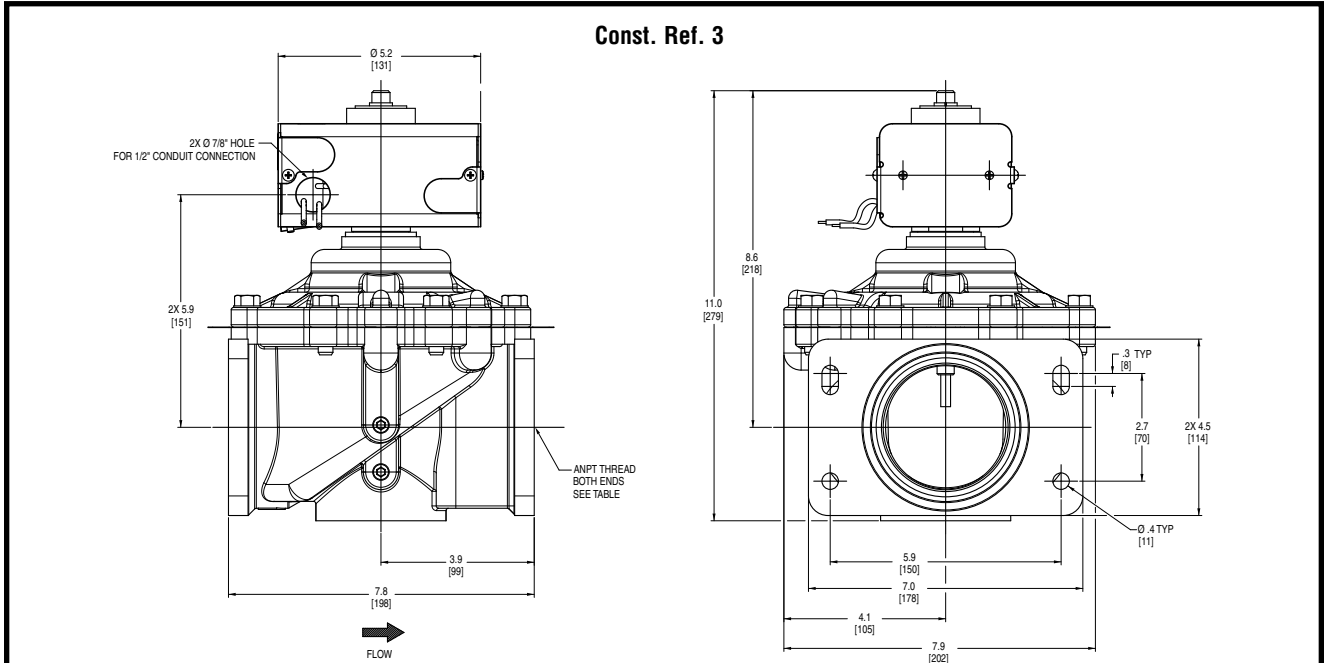


Const. Ref. 2



Must be mounted with solenoid vertical and upright.

Dimensions inches (mm)



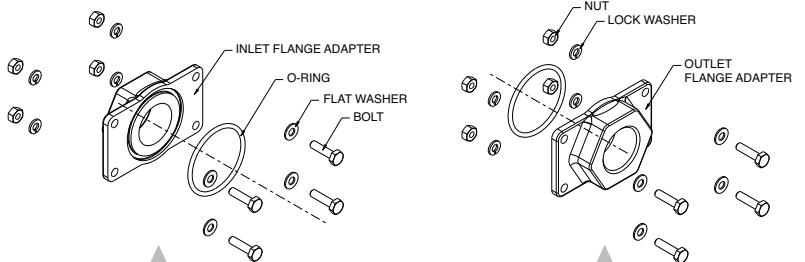
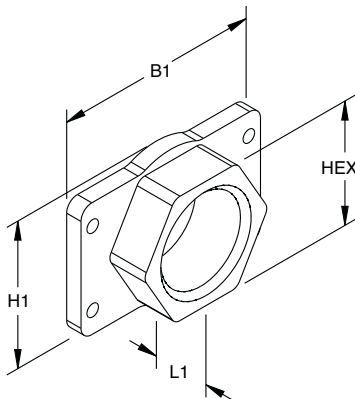
Must be mounted with solenoid vertical and upright.

Flange Adapters

Pipe Size (in)		B1	H1	L1	HEX
3/4", 1"	in	4.8	2.5	1.27	2.5
	mm	122	76	32	64
1-1/4" 2"	in	5	3.56	1.38	3
	mm	127	90	35	76
2" (High Flow) - 3"	in	7	4.5	2.01	4.5
	mm	178	114	51	114

Flange Adapter Kits (Optional)

Pipe Size (in)	Inlet & Outlet Adapter/Hardware Kit	Approx. Shipping Weight (lbs)
3/4	296659-001	1.6
1	296659-002	1.5
1-1/4	296659-003	1.3
1-1/2	296659-004	1.2
1-1/4 (High Flow)	296659-005	2.4
1-1/2 (High Flow)	296659-006	2.1
2	296659-007	1.7
2 (High Flow)	296659-008	6.6
2-1/2	296659-009	6.0
3	296659-010	4.9



**INLET & OUTLET
FLANGE ADAPTERS AND HARDWARE KIT**