

## Features

- Heavy duty 316L stainless steel construction, internal and external, for use in corrosive environments
- Suitable for use in potentially explosive atmospheres per ATEX directive 94/9/EC
- SIL 2 Certified per IEC 61508
- Compliant with NACE MR 0175 requirements
- High flow design and better control on regulation
- Built-in overpressure relieving function
- Manual and auto-drain constructions available

## General

<b>Media</b>	Compressed Air, Sour Gas
<b>Inlet/Outlet Port</b>	1/4" NPT - 1/2" NPT
<b>Gauge Port</b>	1/4" NPT
<b>Pressure Relief Port</b>	1/8" NPT
<b>Maximum Supply Pressure</b>	290 PSI
<b>Adjustable Pressure</b>	7 - 145 PSI
<b>Hysteresis</b>	< 2.9 PSI

## Construction

	Standard	Nace
<b>Body</b>	316L Stainless Steel	
<b>Bowl</b>	316L Stainless Steel	
<b>Filtering Element</b>	316L Stainless Steel	
<b>Diaphragm and Seal</b>	FKM	
<b>Springs</b>	17-7 PH Stainless Steel	Inconel

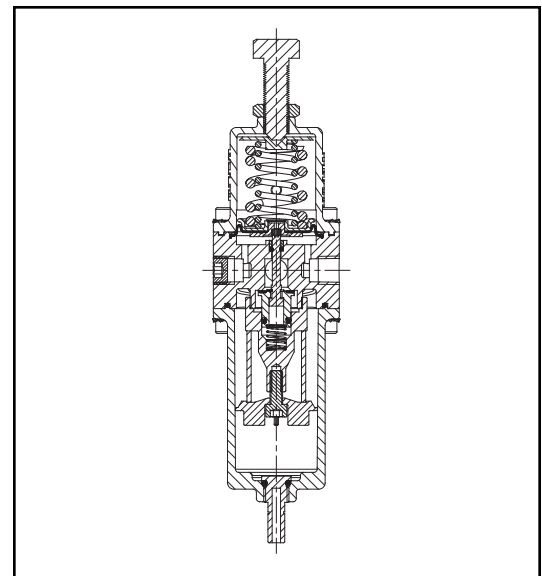
## Spare Parts Kits

<b>25 Microns - 1/4" &amp; 1/2"</b>	C325305*
<b>5 Microns - 1/4" &amp; 1/2"</b>	C325307*
<b>Stainless Steel Gauge</b>	C325316
<b>Mounting Bracket</b>	C117813

\*Spare parts kits include: o-rings, seal, diaphragm assembly, and filter element.

## Options

- Auto drain with 1/8" NPT connection (AN)
- Low Ambient Temperature: - 58°F (- 50°C) (Suffix LT)
- Stainless Steel Gauge: 0 – 160 PSI (0 – 11 Bar) (Suffix G)
- Stainless Steel Gauge for 58°F (-50°C) service (Suffix LTG)
- Mounting Bracket (Suffix MB)



## Nominal Ambient Temp. Ranges

Standard: - 40°F to 176°F (- 40°C to 80°C)  
 Optional (Suffix LT): - 58°F to 176°F (- 50°C to 80°C)

## Ordering

Standard Ambient Version: 342A8401GMB  
 Low Temperature Version: 342A8401LTGMB  
 Auto Drain: 342A8401ANGMB

## Approvals

ATEX II 2G/D c IIC X T100°C (T5)  
 ZONE 1-21  
 Explosion group IIC  
 SIL 2 certified per IEC 61508

**SERIES  
342**

Air Service Equipment  
**Filter and Regulator**  
316L Stainless Steel  
1/4" and 1/2" NPT



**Specifications (English Units)**

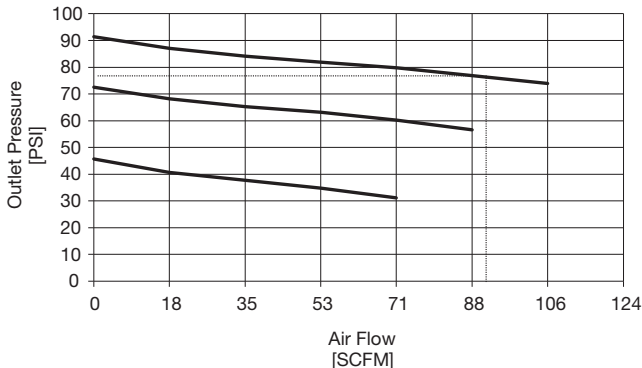
Pipe Size (in)	Bowl Capacity (oz)	Filter Capacity (µm)	Max. Flow @ 90 psi and 14 psi Drop (SCFM)	Adjustable Pressure (psi)	Min. Ambient Temp (°F)	Max. Ambient Temp (°F)	Manual Drain	
							STD	NACE
<b>25 Micron - Self-Relieving</b>								
1/4	3.3	25	90	7-145	- 40	176	342A8401	342A8421
1/2	3.3	25	156	7-145	- 40	176	342A8403	342A8423
<b>5 Micron - Self-Relieving</b>								
1/4	3.3	5	84	7-145	- 40	176	342A8405	342A8425
1/2	3.3	5	116	7-145	- 40	176	342A8407	342A8427
<b>25 Micron - Non-Relieving</b>								
1/4	3.3	25	90	7-145	- 40	176	342A8001	342A8021
1/2	3.3	25	156	7-145	- 40	176	342A8003	342A8023
<b>5 Micron - Non-Relieving</b>								
1/4	3.3	5	84	7-145	- 40	176	342A8005	342A8025
1/2	3.3	5	116	7-145	- 40	176	342A8007	342A8027

**Specifications (Metric Units)**

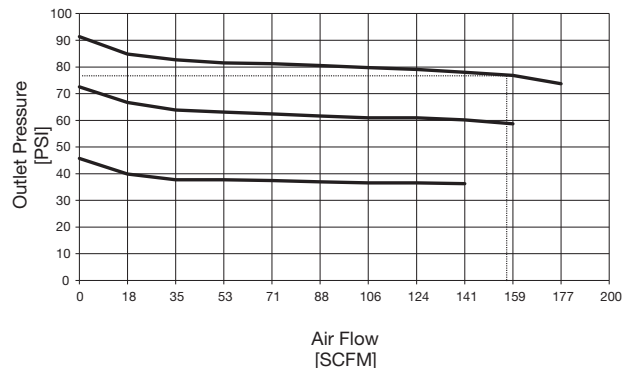
Pipe Size (in)	Bowl Capacity (cm³)	Filter Capacity (µm)	Max. Flow @ 6 bar and 1 bar Drop (l/m)	Adjustable Pressure (bar)	Min. Ambient Temp (°C)	Max. Ambient Temp (°C)	Manual Drain	
							STD	NACE
<b>25 Micron - Self-Relieving</b>								
1/4	98	25	2540	0.5-10	- 40	80	342A8401	342A8421
1/2	98	25	4430	0.5-10	- 40	80	342A8403	342A8423
<b>5 Micron - Self-Relieving</b>								
1/4	98	5	2380	0.5-10	- 40	80	342A8405	342A8425
1/2	98	5	3290	0.5-10	- 40	80	342A8407	342A8427
<b>25 Micron - Non-Relieving</b>								
1/4	98	25	2540	0.5-10	- 40	80	342A8001	342A8021
1/2	98	25	4430	0.5-10	- 40	80	342A8003	342A8023
<b>5 Micron - Non-Relieving</b>								
1/4	98	5	2380	0.5-10	- 40	80	342A8005	342A8025
1/2	98	5	3290	0.5-10	- 40	80	342A8007	342A8027

**Flow Charts**

1/4" NPT

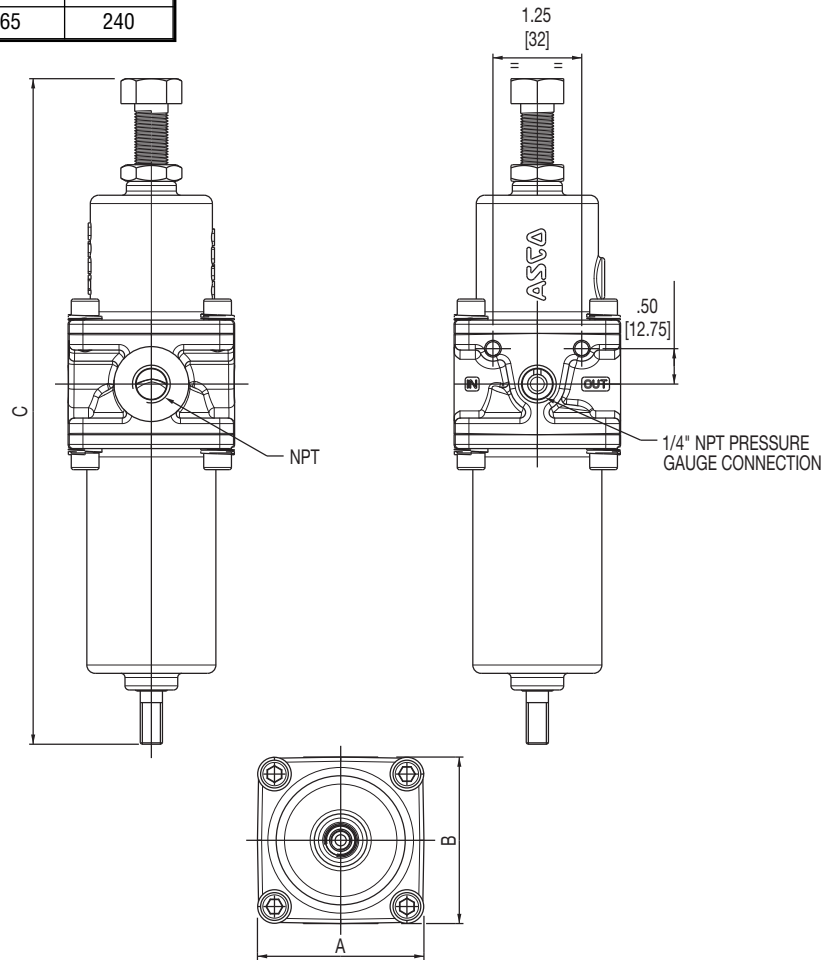


1/2" NPT



## Dimensions English (Metric)

NPT		A	B	C
1/4	in	2.36	2.36	9.4
	mm	60	60	240
1/2	in	2.36	2.6	9.4
	mm	60	65	240



## Mounting Bracket

