

# Special cavities

1/13

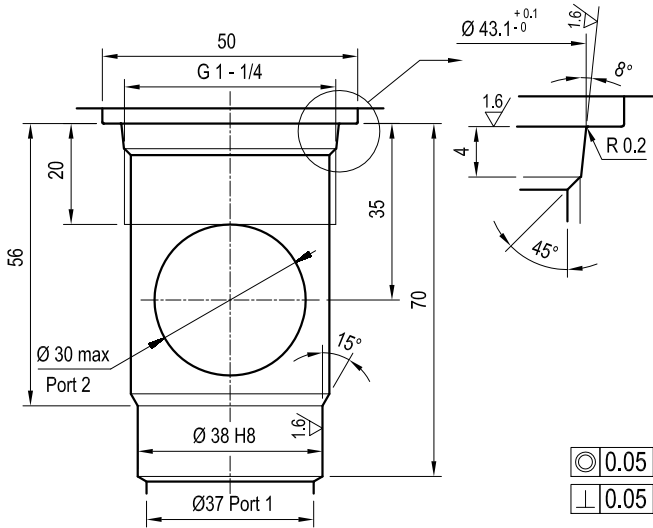
RE 18325-75/01.17  
Replaces: RE 18325-75/05.16

004 - 008 - 009 - 065 - 308 - 348 - 690  
730 - 730-A - 808 - 869 - 870 - 871 - 924  
CA-07A-3N - CA-04A-3Y - CA-04A-2N - CA-16A-5C -  
CA-20B-6C - 017-E - 019-E - 021-E - 076-E - 081-E - FB  
FC - LG - CA-10A-5N - HYDAC 06020 - 1004

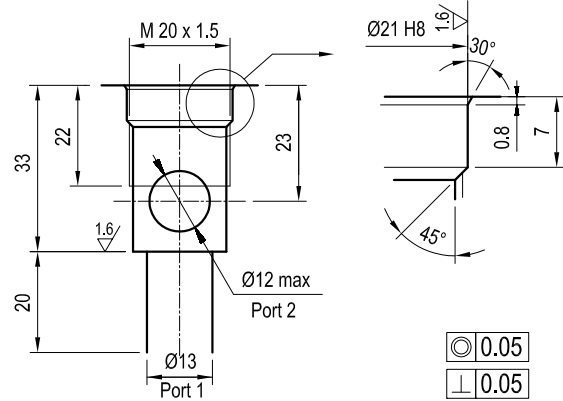
## Summary

Description	Page	Description	Page
Cavity 004	2	Cavity 924	4
Cavity 008	2	Cavity CA-07A-3N	4
Cavity 009	2	Cavity CA-04A-3Y	4
Cavity 065	2	Cavity CA-04A-2N	4
Cavity 348	2	Cavity 308	4
Cavity 690	2	Cavity CA-20B-6C	5
Cavity 730	3	Cavity 017-E	6
Cavity 730-A	3	Cavity 019-E	6
Cavity 808	3	Cavity 021-E	6
Cavity 869	3	Cavity 076-E	6
Cavity 870	3	Cavity 081-E	6
Cavity 871	3	Cavity CA-16A-5C	7
		Cavity FB	8
		Cavity FC	9
		Cavity LG	10
		Cavity CA-10A-5N	11
		Cavity Hydac 06020	12
		Cavity 1004	13

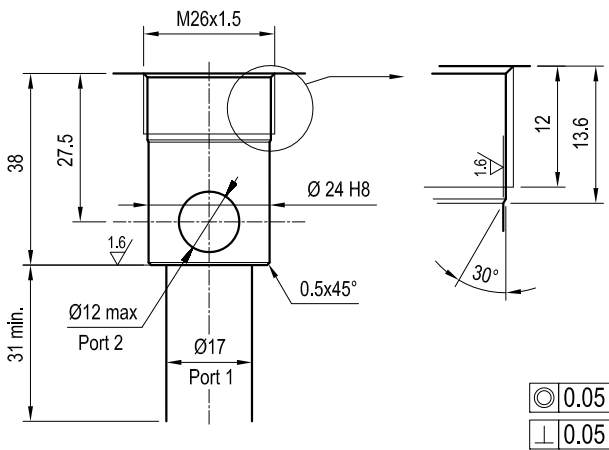
### Special cavity 004



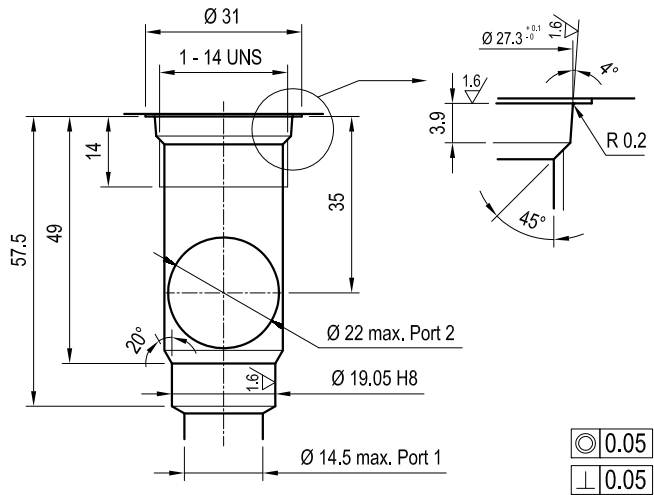
### Special cavity 008



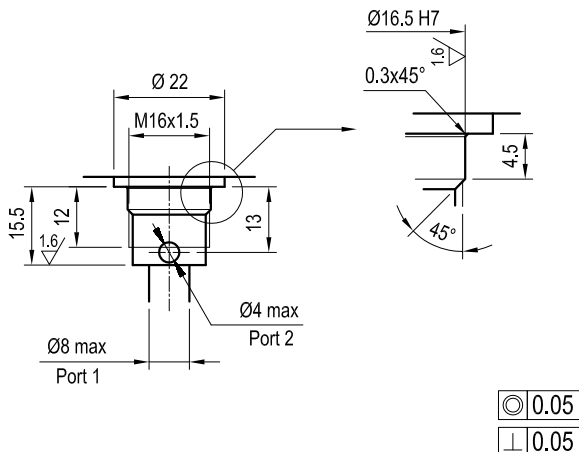
### Special cavity 009



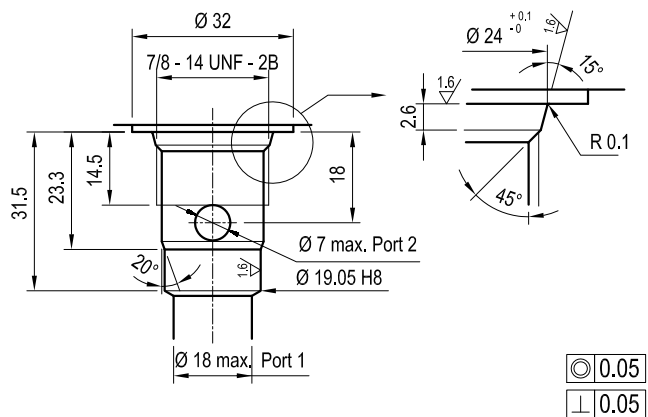
### Special cavity 065



### Special cavity 348



### Special cavity 690

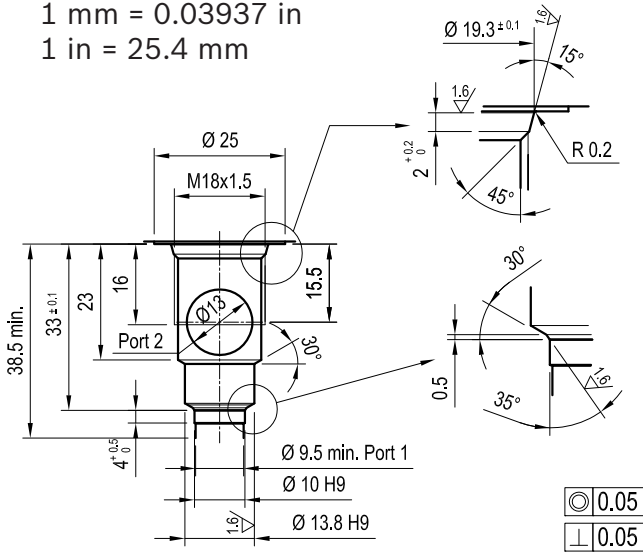


1 mm = 0.03937 in  
1 in = 25.4 mm

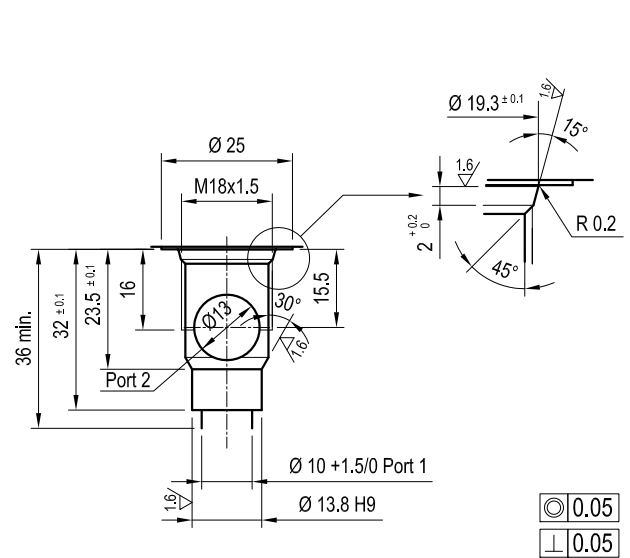
Note: For further details please consult factory

### Special cavity 730

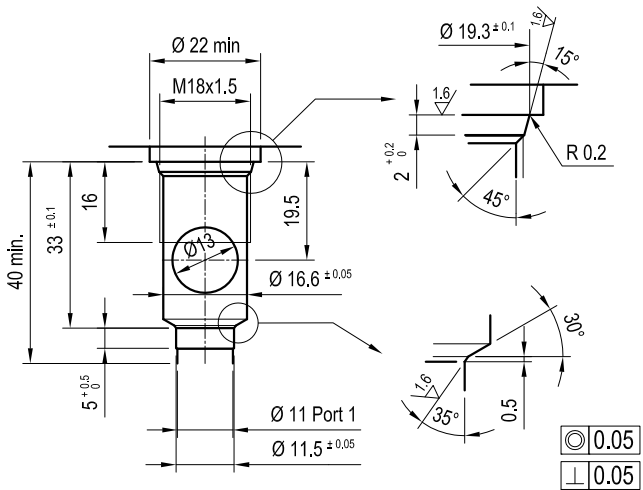
1 mm = 0.03937 in  
1 in = 25.4 mm



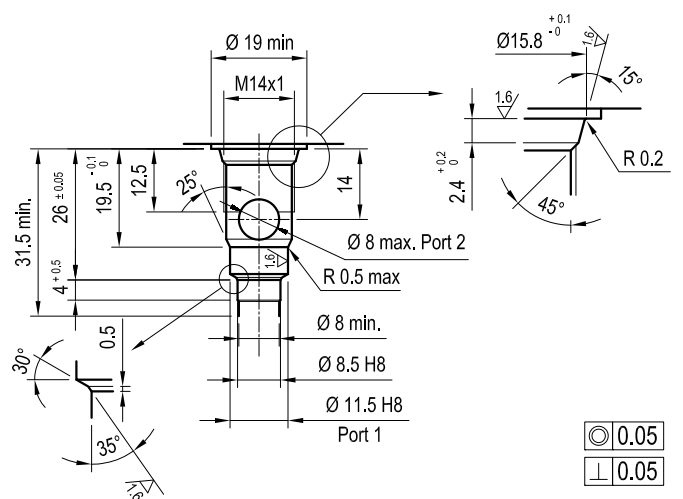
### Special cavity 730-A



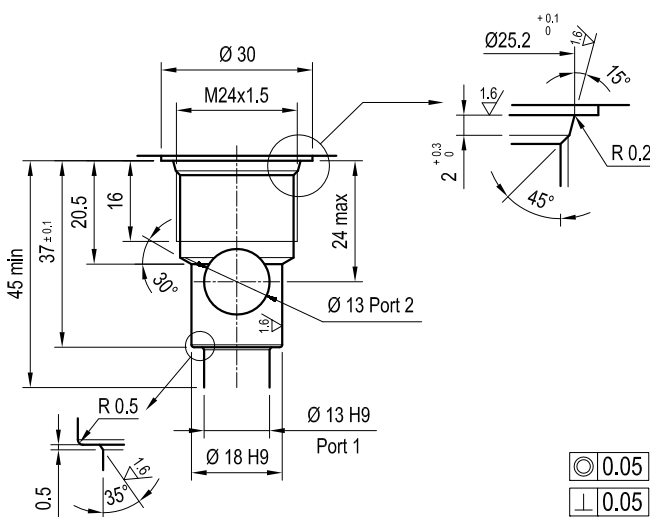
### Special cavity 808



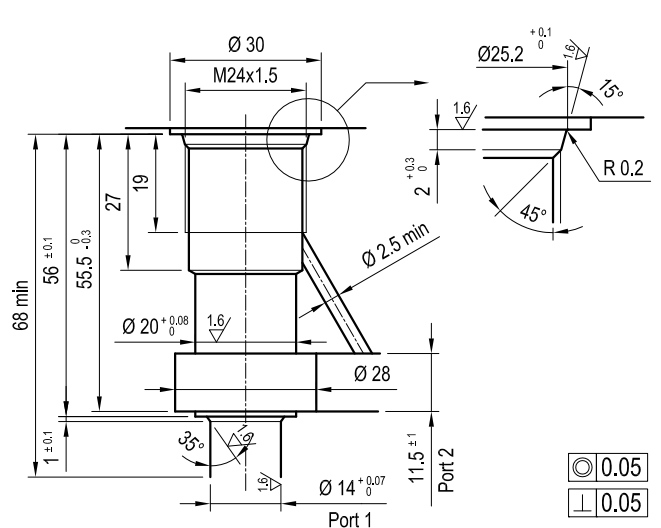
### Special cavity 869



### Special cavity 870

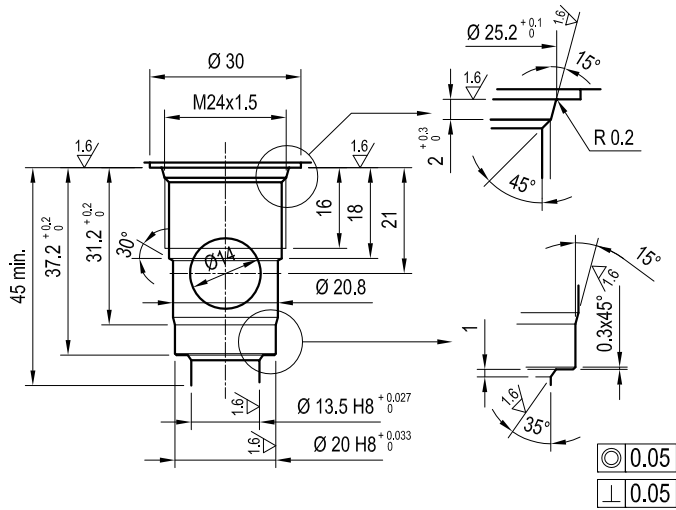


### Special cavity 871

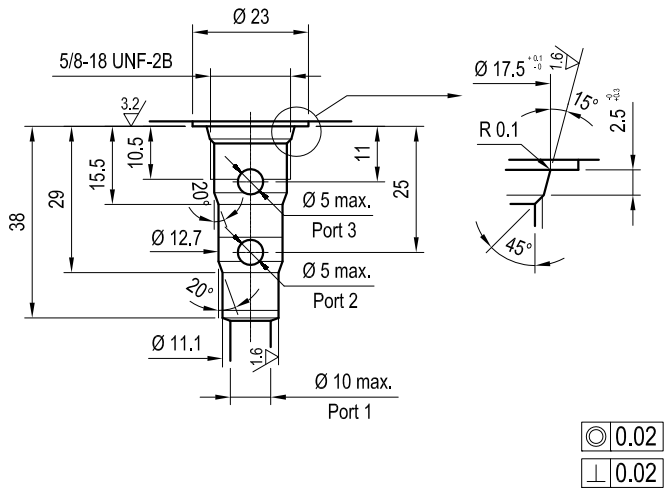


Note: For further details please consult factory

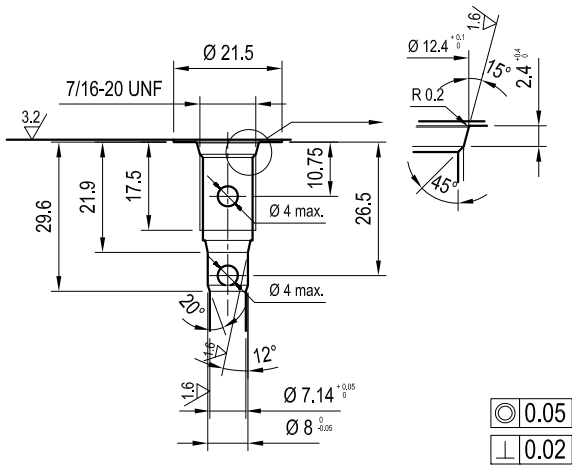
### Special cavity 924



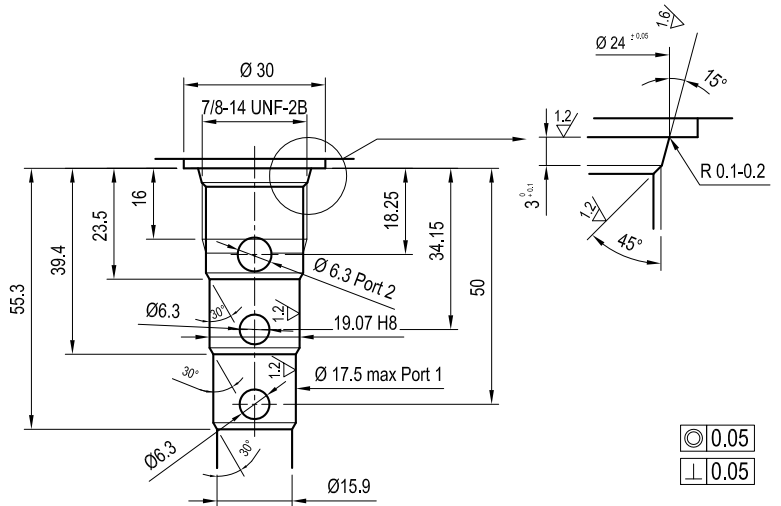
### Special cavity CA-07A-3N



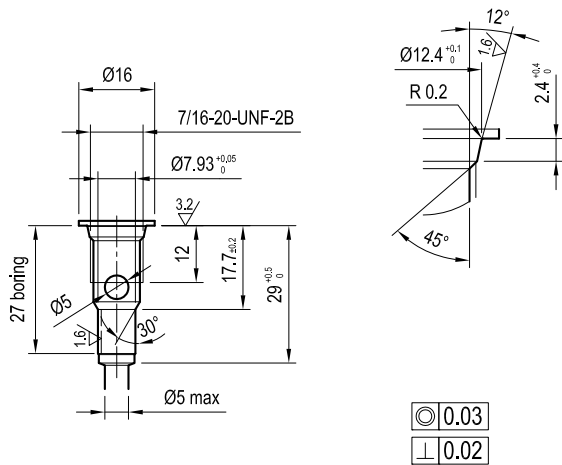
### Special cavity CA-04A-3Y



### Special cavity 308



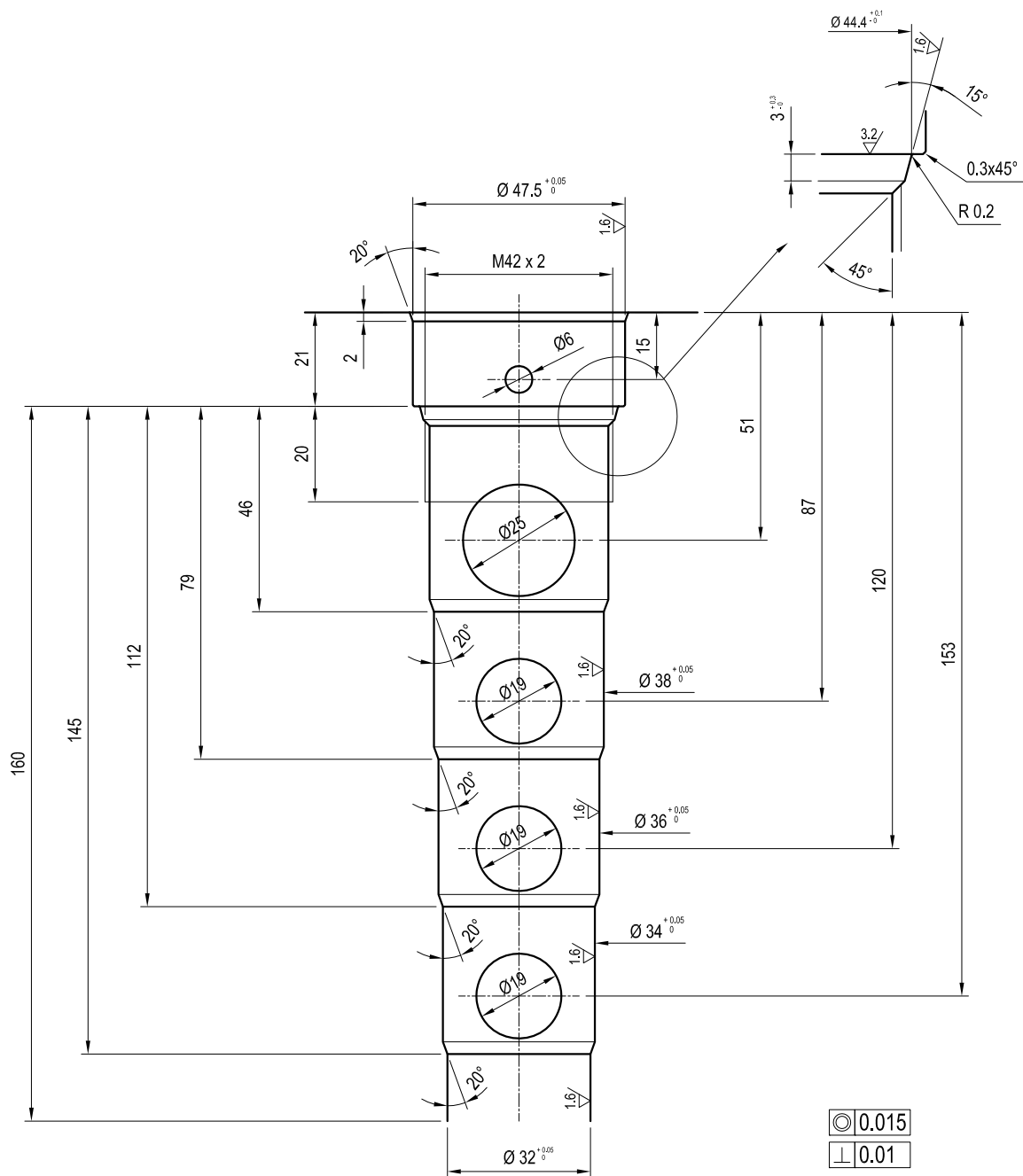
### Special cavity CA-04A-2N



Note: For further details please consult factory

1 mm = 0.03937 in  
1 in = 25.4 mm

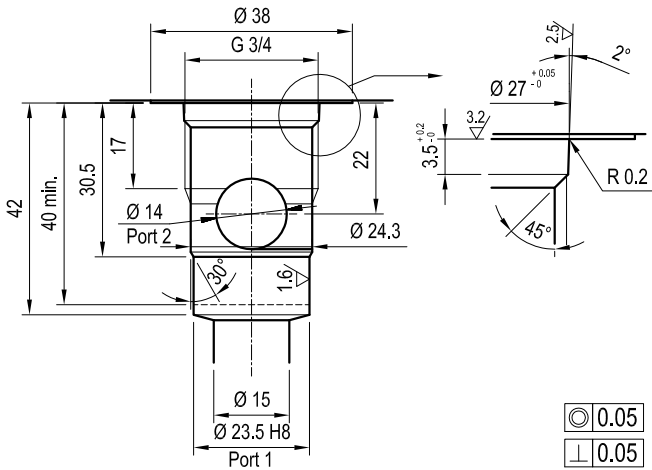
# Special cavity CA-20B-6C



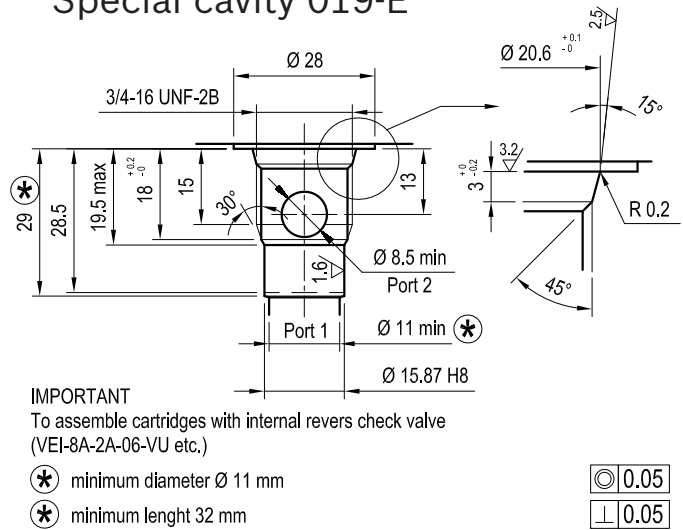
Note: For further details please consult factory

1 mm = 0.03937 in  
 1 in = 25.4 mm

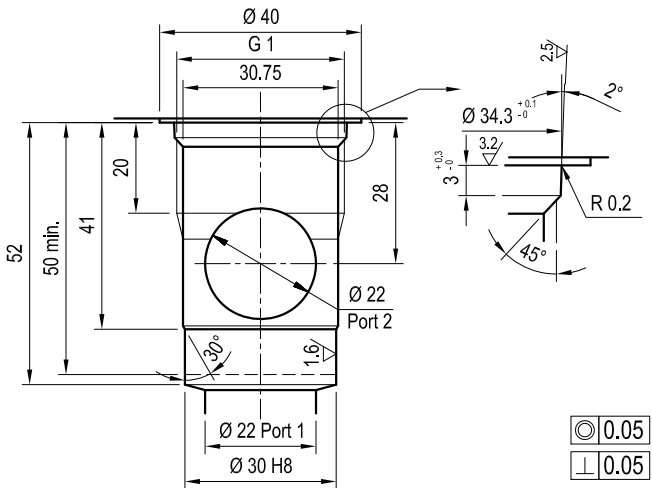
### Special cavity 017-E



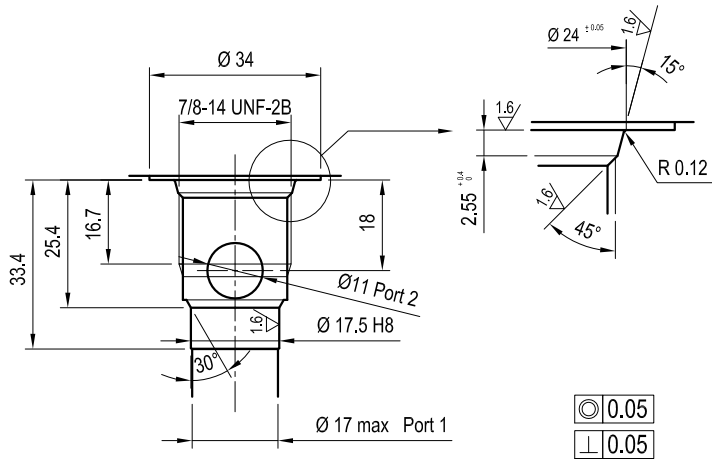
### Special cavity 019-E



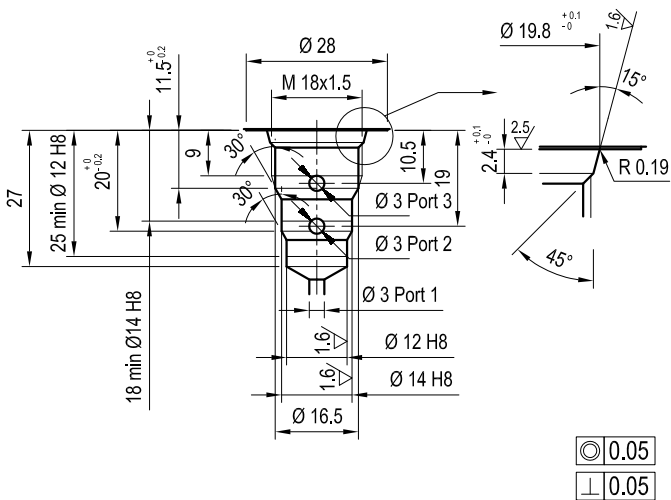
### Special cavity 021-E



### Special cavity 076-E



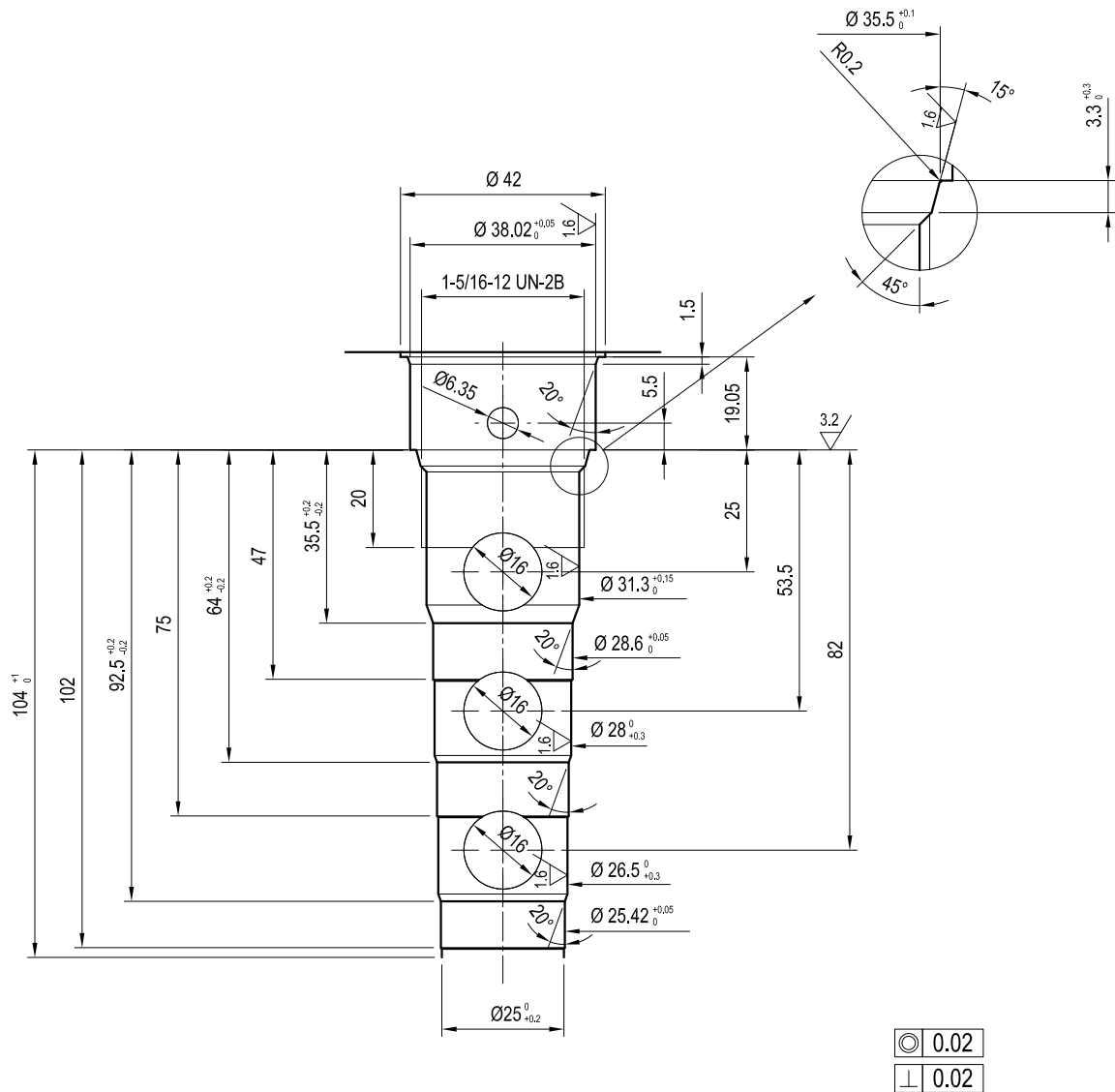
### Special cavity 081-E



1 mm = 0.03937 in  
1 in = 25.4 mm

Note: For further details please consult factory

Special cavity CA-16A-5C

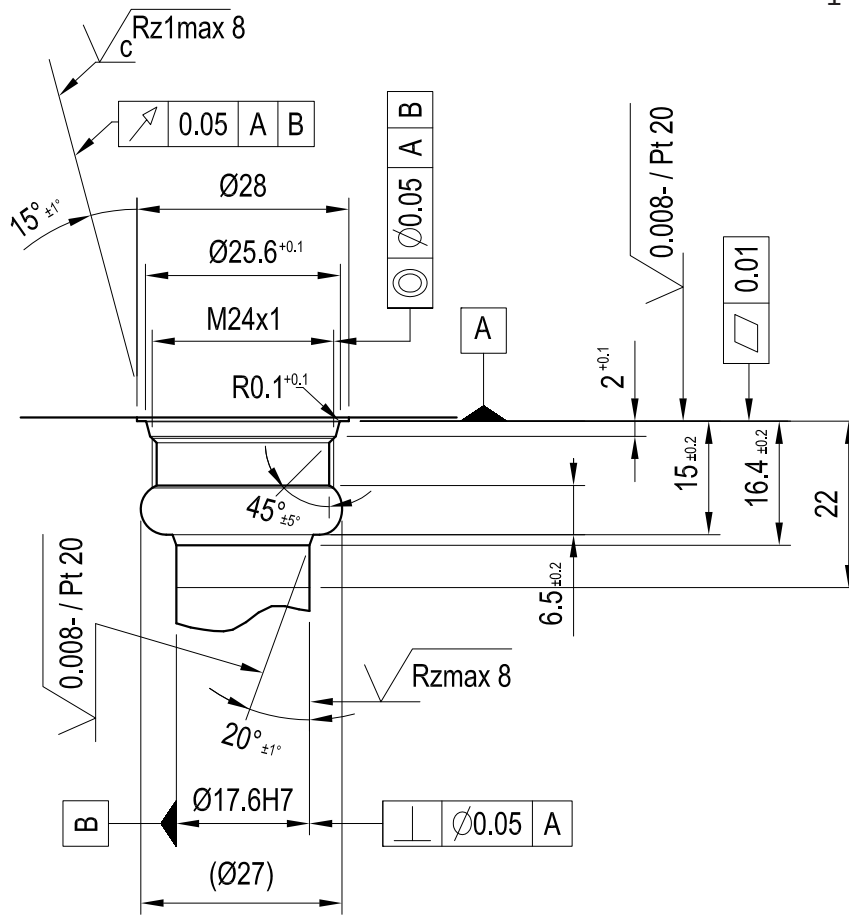


1 mm = 0.03937 in  
 1 in = 25.4 mm

Note: For further details please consult factory

# Special cavity FB

1 mm = 0.03937 in  
 1 in = 25.4 mm



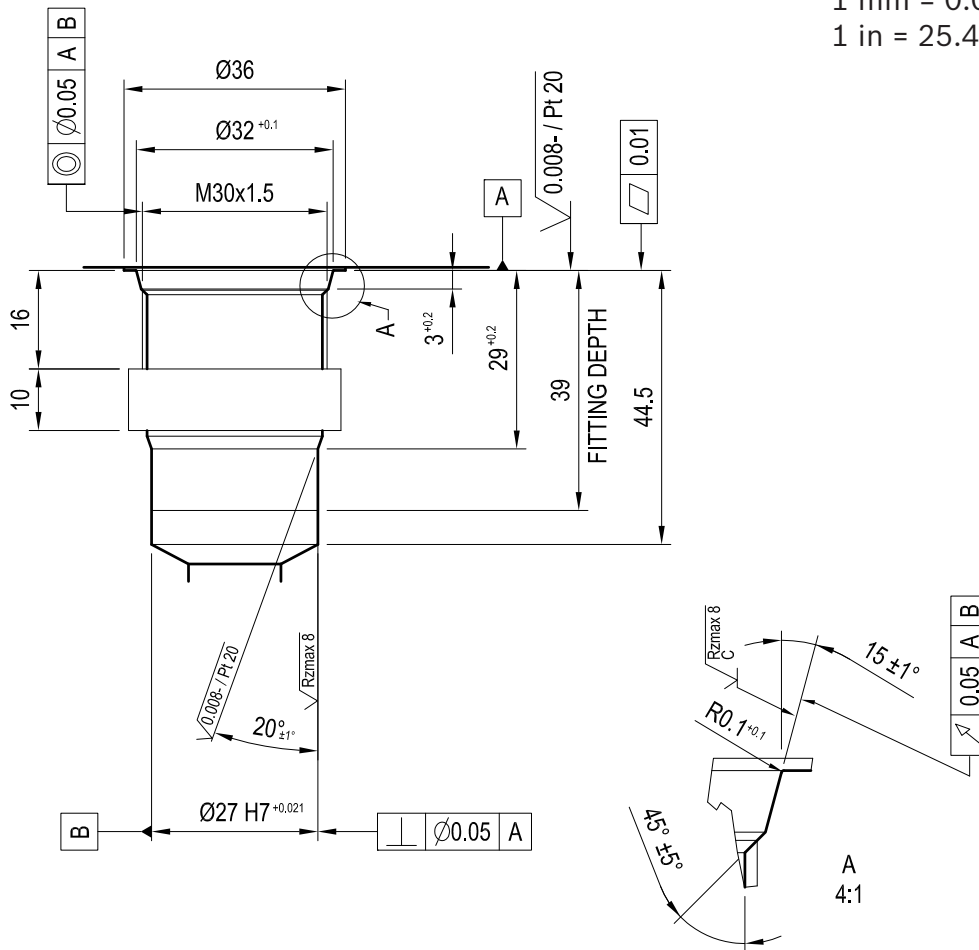
Note: For further details please consult factory





# Special cavity LG

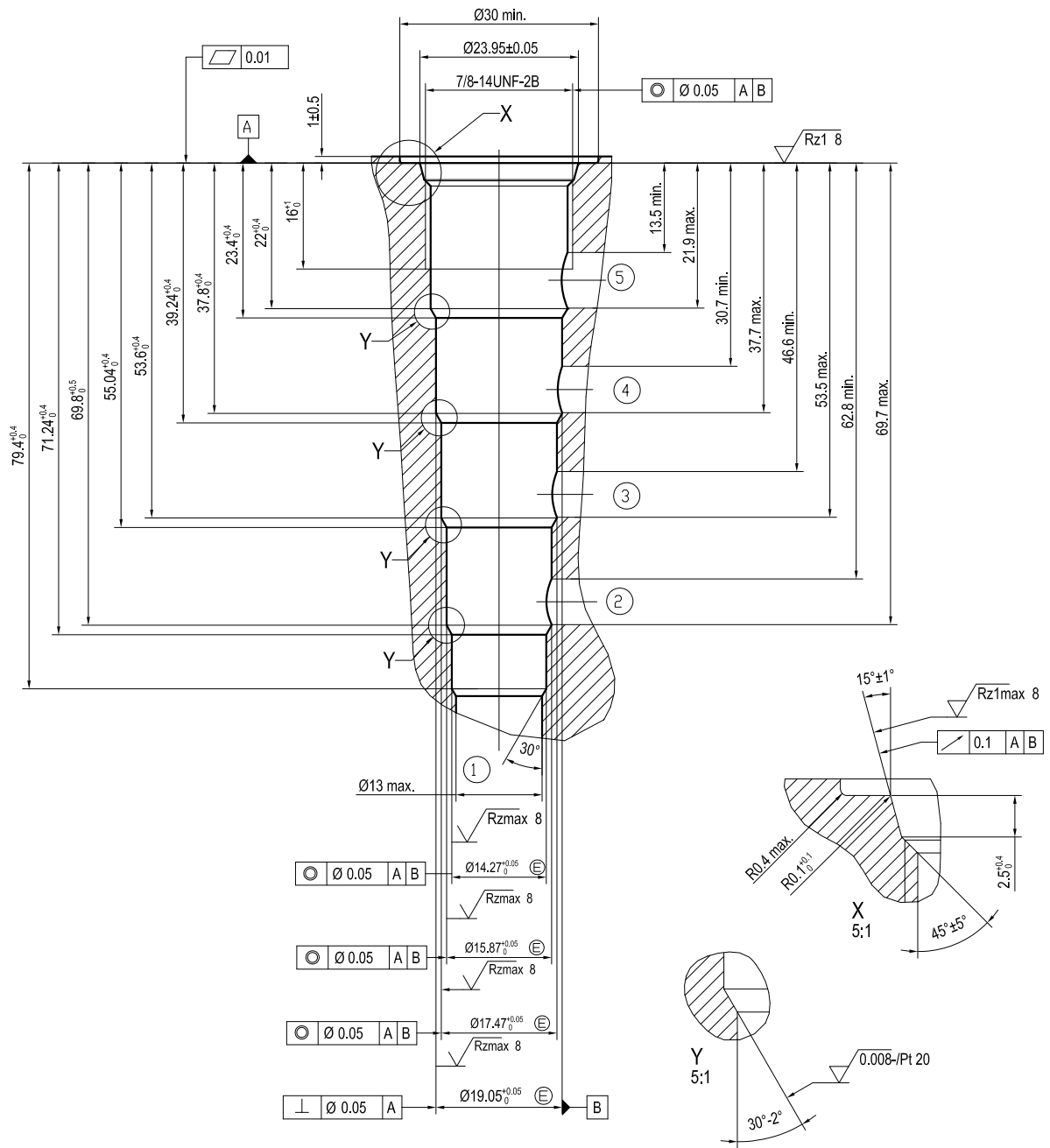
1 mm = 0.03937 in  
 1 in = 25.4 mm



Note: For further details please consult factory

# Special cavity CA-10A-5N (R/UNF-10-05-0-08)

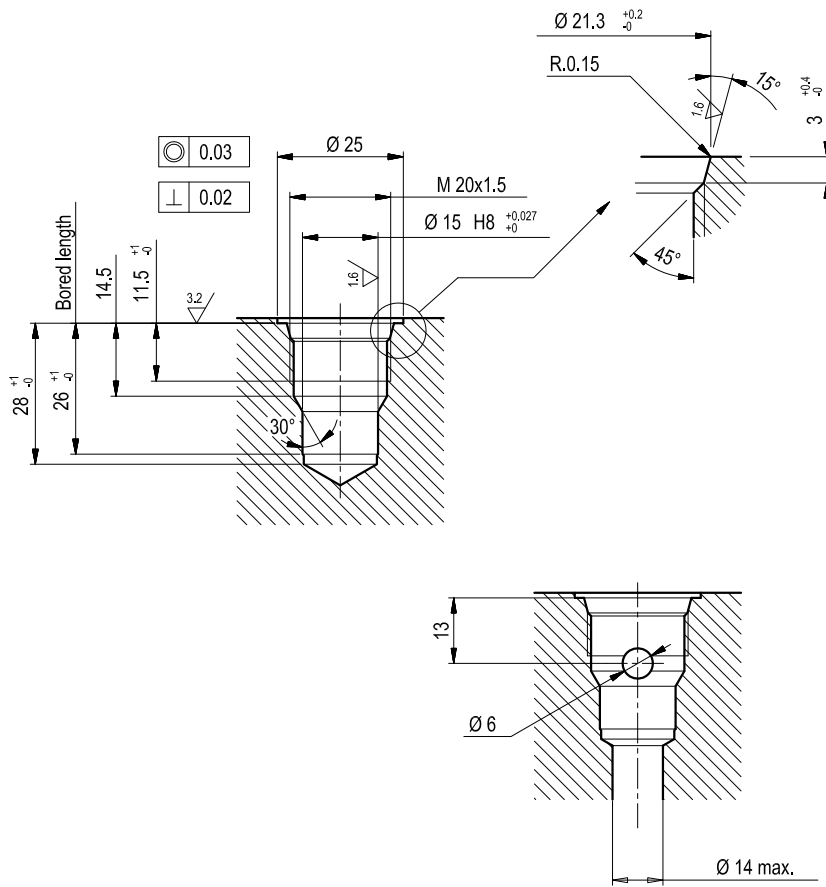
1 mm = 0.03937 in  
 1 in = 25.4 mm



Note: For further details please consult factory

# Special cavity Hydac 06020

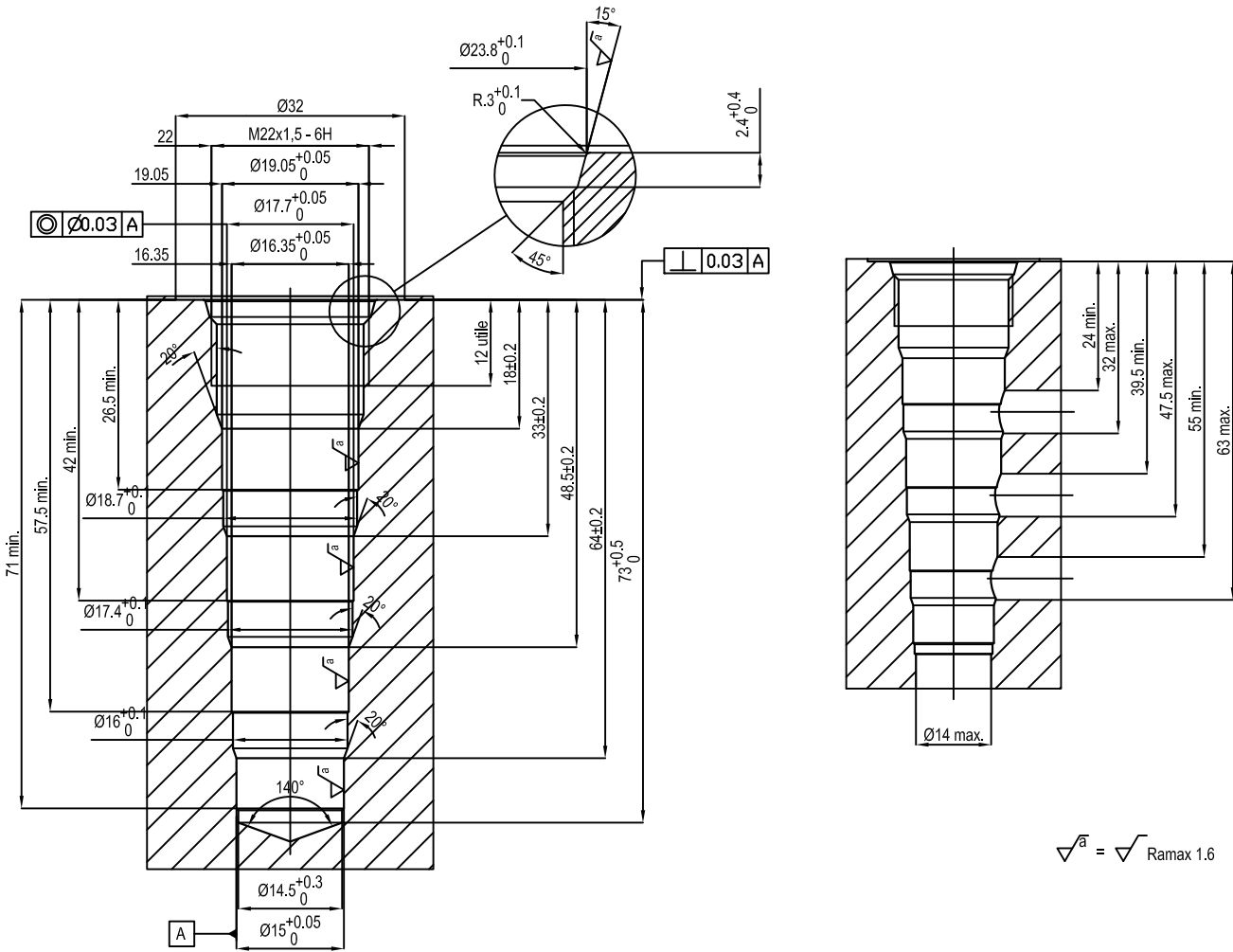
1 mm = 0.03937 in  
 1 in = 25.4 mm



Note: For further details please consult factory

# Special cavity 1004

1 mm = 0.03937 in  
 1 in = 25.4 mm



$$\sqrt{Ra} = \sqrt{Ra_{max} 1.6}$$

Note: For further details please consult factory