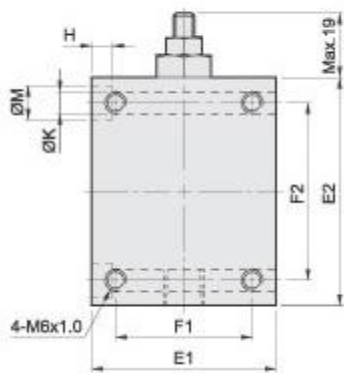
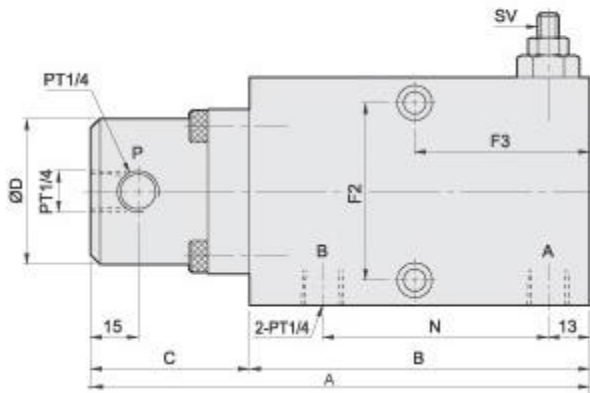
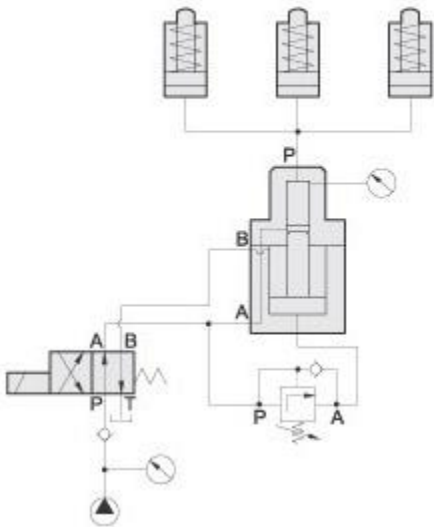


建議最高操作壓力 50kg/cm<sup>2</sup>  
Max. operation pressure



# 迴路圖 Circuit diagram



MODEL	HB-9x6	HB-8x22	HB-5x35	HB-3.8x45
増壓倍数 Multiple boost	9	8	5	3.8
高壓吐出量 High pressure output	6cc	22cc	35cc	45cc
<b>A</b>	157	210		
<b>B</b>	107	139		
<b>C</b>	50	71		
<b>øD</b>	ø46	ø58		
<b>E1</b>	58	82		
<b>E2</b>	72	100		
<b>F1</b>	43	62		
<b>F2</b>	56	80		
<b>F3</b>	55	70		
<b>H</b>	7	9		
<b>øK</b>	ø7	ø9		
<b>øM</b>	ø11	ø14		
<b>N</b>	71	96		