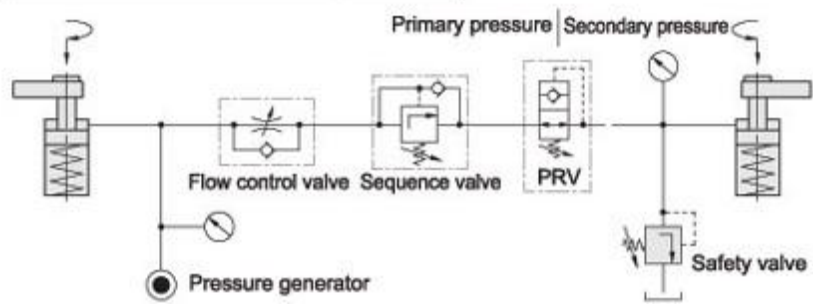
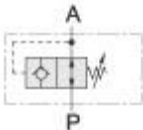


迴路圖 Circuit diagram





耐壓力 Operating pressure

500kg/cm²

壓力調整範圍 Pressure range

30-320kg/cm²

Line type

PRV-02

Manifold

PRV-M02

