

Test Adapter for Measuring Voltage and/or Current

RA 29784/06.98
Replaces: 06.94

1/2

Model MESAP 43650



Model MESAP 43650

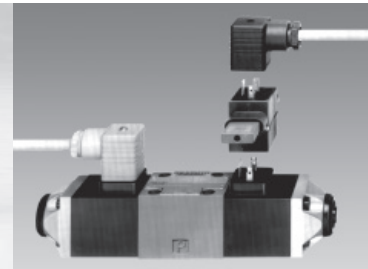
MESAP 43650 adaptor used
in conjunction with a 4 WE6
directional valve

Table of contents

Contents	Page
Features	1
Ordering details and Description	1
Connection information	2
Unit dimensions	2

Features

- Easy to use
- Compact design
- Ampere reading during operation of unit by removing a shorting link
- Voltage reading between contacts 1 and 2, also during operation of unit
- One shunt jumper supplied with each tester

Ordering details and Description

Order by Part No. R900 021 194

The new MESAP 43650 test adapter, is installed between the ISO 4400/DIN 43650 A male and female connectors used on the valve.

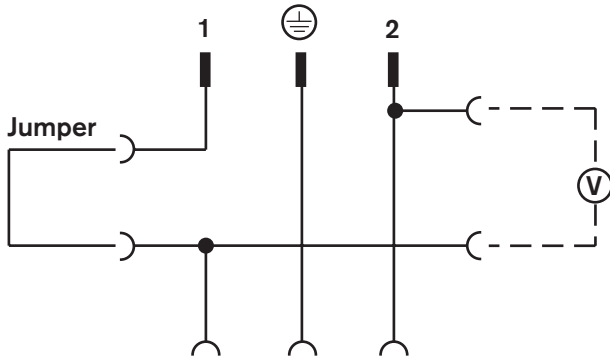
The adapter allows for uninterrupted voltage and/or current measurement in the field while the valve is in operation. Once installed, the MESAP test fixture enables the technician to facilitate servicing or trouble-shooting tests and/or measurements without stopping production.

4 mm banana jack test leads must be ordered separately.

Connection information

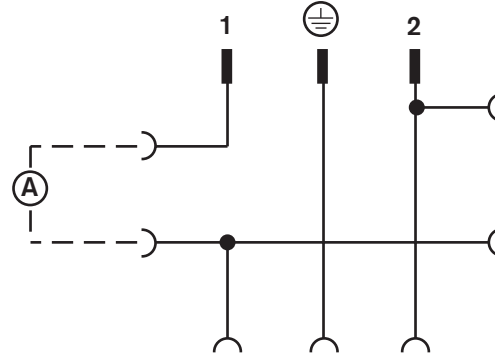
Measuring Voltage

Insert 4 mm banana jack test leads into the black sockets of the MESAP with the designation "V" on the housing. (Attached the other end of the test lead to meter for measurement.) Note that the shunt jumper must be inserted into the red sockets of the MESAP with the designation "A" on the housing.



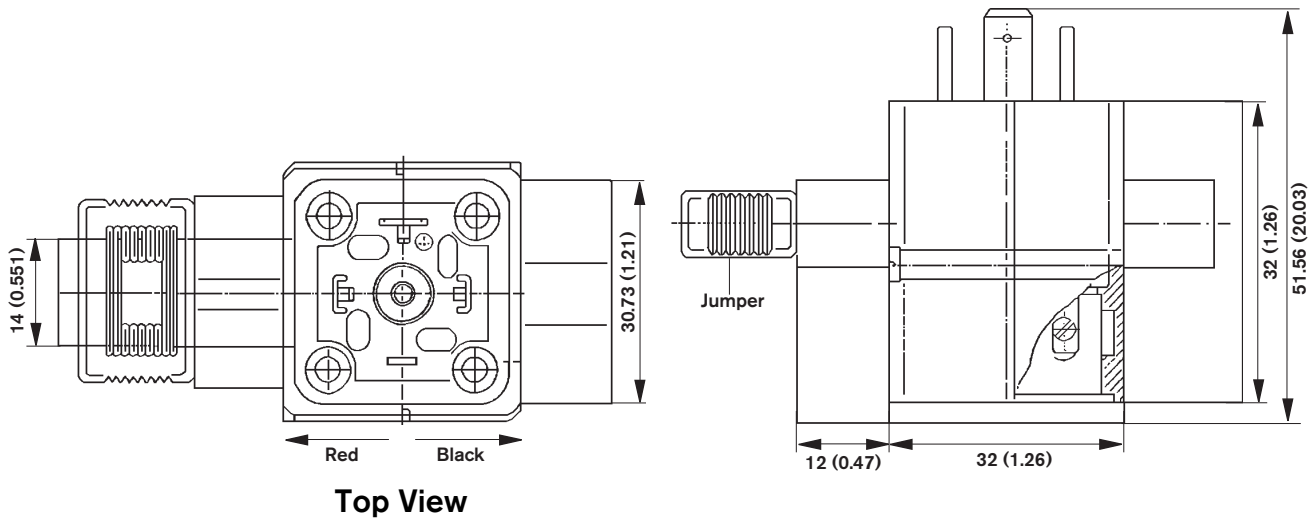
Measuring Current

Insert 4 mm banana jack test leads into red sockets of the MESAP with the designation "A" on the housing. (Attach the other end of the test lead to meter for measurement). Note that the shunt jumper is not used when measuring current (series).



Valve Side

Unit dimensions – dimensions in millimeters (inches)



Bosch Rexroth Corp.
 Industrial Hydraulics
 2315 City Line Road
 Bethlehem, PA 18017-2131
 USA
 Telephone (610) 684-8300
 Facsimile (610) 694-8467
 www.boschrexroth-us.com

© This document, as well as the data, specifications and other information set forth in it, are the exclusive property of Bosch Rexroth Corporation. Without their consent it may not be reproduced or given to third parties.

The data specified above only serve to describe the product. No statements concerning a certain condition or suitability for a certain application can be derived from our information. The information given does not release the user from the obligation of own judgment and verification. It must be remembered that our products are subject to a natural process of wear and aging.