

Close-Coupled Motor Pump Groups

Axial Piston Variable Displacement

Motor Sizes: 2 to 20 HP

RA 12740/06.14

1/8

Replaces: 07.10

MPGB-A10VSO..., MPGB-AA10VSO...

Flows up to 20 gpm
See RA 12 742 for sizes 25 to 100 HP



Pre-assembled Motor Pump Groups

These motor pump groups come pre-assembled from our factory and ready to be installed into your system. This new close-coupled feature provides for quick motor pump group delivery at a lower cost.

Size/Range

Rexroth offers four (4) of its most popular size variable displacement piston pumps with flows up to 20 gpm. These pumps are the standard industrial version, keyed shaft, A10VSO and AA10VSO available from stock.

In conjunction with these four pump sizes, Rexroth offers an extensive range of different horsepower sizes for each size pump. These motors are 1800 rpm, TEFC, 230/460 Volt, NEMA frame motors, with a female shaft.

Reference:

RA 92 711 for additional AA10VSO pump info.

RA 92 713 for additional A10VSO pump info.

Advantages:

- Availability:** Standard motor pump groups are available from stock.
- Convenience:** Eliminate the need for multiple vendors by giving you one source of supply.
- Space Saving:** The new close-coupled feature dramatically reduces the overall length of the motor pump group.
- Cost Saving:** The elimination of the coupling and bellhousing eliminate costly components and reduce labor.

Ordering Code: Motor / Pump / Group A10VO...

Bold Selections are Preferred

MPGB	XXXH	TYZ	46	XX	F	S	X	H	A10	XXX	XXXX	K	NN	1	XX	XXXXX
------	------	-----	----	----	---	---	---	---	-----	-----	------	---	----	---	----	-------

Horsepower: (XXX)H

002	003	005	7.5	010	015	020
2HP	3HP	5HP	7.5HP	10HP	15HP	20HP

No. of Poles/Hertz

No. Poles	5	6	D
	50 Hertz	60 Hertz	50/60 Hertz
4	1450 rpm	1750 rpm	1450/1750 rpm

Standard Voltage Options:

Std. Volt	BF	EZ	EZ	EZ	EZ	EZ	EZ
HP	2	3	5	7.5	10	15	20

B - 50HZ/190/380V
 F - 60HZ/230/460V
 EZ - 60HZ/208-230/460V

Additional Non-Standard Voltage Options:

HZ - 60HZ/575V
IZ - 60HZ/200V
KZ - 50HZ/220/380/440V
MZ - 50HZ/220V
NZ - 60HZ/380/460V

Windings: F - Full Version

Efficiency: S - Standard

Junction Box Location:

1 - F1	2 - F2
--------	--------

Mounting Position: H - Horizontal

Pump: A10

2 HP or 3 HP

010	AA10VS010	018	A10VS018
-----	-----------	-----	----------

5 HP

010	A10VS010	018	A10VS018
028	AA10VS028		

7.5 HP or 10HP

010	A10VS010	018	A10VS018
028	AA10VS028	045	AA10VS045

15 HP or 20HP

028	AA10VS028	045	AA10VS045
-----	-----------	-----	-----------

Control: DR, DFR, DFR1, DRG, DFLR, DFEE

Shaft: K - Keyed

NN (No through drive), Consult factory for thru drive options

Pump Suction Port Orientation:

1	Down, Inline with Motor Feet
---	------------------------------

Mounting Rails: NN - None, DR - Damping Rails

Internal Reference Number:

* Standard orientation provided with pressure up and suction down, customer can rotate pump if required.

Deviation of pump orientation at 90-degree intervals for motors with (4) mounting holes (See page 4).

Deviation of pump orientation at 45-degree intervals for motors with (8) mounting holes (See page 4).

Note: Apply an even layer of lubricant to the pump shaft and fill the female motor shaft with lubricant less the pump shaft volume. Use only Castrol "Optimol Optimoly Paste White T" P/N 08464-215.

Ordering Code: Motor / Pump / Group A10VO... (cont.)

Examples of Ordering Code:

- 1) **MPGB003HTYZ46EZFS1HA10018DFRKN1DR**
 3HP Motor, 4 Poles, 60 Hertz, 208-230/460 Volt, Full Voltage, Standard Efficiency, Junction Box F1, Horizontal Mounting, Pump A10VSO18, DFR Control, Keyed Shaft, No Thru Drive, Pump Suction Down, with Damping Rails
- 2) **MPGB7.5HTYZ46EZFS1HA10045DRKNN1NN**
 7.5HP Motor, 4 Poles, 60 Hertz, 208-230/460 Volt, Full Voltage, Standard Efficiency, Junction Box F1, Horizontal Mounting, Pump AA10VSO45, DR Control, Keyed Shaft, No Thru Drive, Pump Suction Down, without Damping Rails
- 3) **MPGB020HTYZ46EZS1HA10028DFRK021DR**
 20HP Motor, 4 Poles, 60 Hertz, 208-230/460 Volt, Full Voltage, Standard Efficiency, Junction Box F1, Horizontal Mounting, Pump AA10VSO28, DFR Control, Keyed Shaft, K02 Thru Drive, Pump Suction Down, with Damping Rails

Specification Table

Pump Size in ³ (cm ³)	Max. Flow @ 1750 RPM* GPM (l/min)	Max. Pressure at Full Flow† PSI (bar)	Motor		Connection Sizes
			HP (kW)	Frame	
A10VSO10 0.64 (10.5)	4.8 (18.2)	607 (42)	2 (1.5)	145TYZ	Suction = SAE 12 (1-1/16-12 UNF-2B) Pressure = SAE 12 (1-1/16-12 UNF-2B) Case Drain = SAE 06 (9/16-18 UNF-2B) Dr Port = SAE 04 (7/16-20 UNF-2B)
		911 (63)	3 (2.2)	182TYZ	
		1518 (105)	5 (3.7)	184TYZ	
		2276 (157)	7.5 (5.6)	213TYZ	
		3035 (209)	10 (7.5)	215TYZ	
A10VSO18 1.10 (18)	8.3 (31.4)	X (X)	2 (1.5)	145TYZ	Suction = 1.00" FLG CODE 61 Pressure = 0.75" FLG CODE 61 Case Drain = SAE 06 (9/16-18 UNF-2B) Dr Port = SAE 04 (7/16-20 UNF-2B)
		527 (36)	3 (2.2)	182TYZ	
		878 (61)	5 (3.7)	184TYZ	
		1316 (91)	7.5 (5.6)	213TYZ	
		1755 (121)	10 (7.5)	213TYZ	
A10VSO28 1.71 (28)	13 (49.2)	560 (39)	5 (3.7)	213TYZ	Suction = 1.25" FLG CODE 61 Pressure = 3/4" FLG CODE 61 Case Drain = SAE 06 (9/16-18 UNF-2B) Dr Port = SAE 04 (7/16-20 UNF-2B)
		841 (58)	7.5 (5.6)	213TYZ	
		1121 (77)	10 (7.5)	215TYZ	
		1681 (116)	15 (11.2)	254TYZ	
		2241 (155)	20 (14.9)	256TYZ	
A10VSO45 2.75 (45)	20 (76.7)	525 (36)	7.5 (5.6)	213TYZ	Suction = 1.50" FLG CODE 61 Pressure = 1.00" FLG CODE 61 Case Drain = SAE 10 (7/8-14 UNF-2B) Dr Port = SAE 04 (7/16-20 UNF-2B)
		700 (48)	10 (7.5)	215TYZ	
		1051 (72)	15 (11.2)	254TYZ	
		1401 (97)	20 (14.9)	256TYZ	

* Theoretical flow actual flows are lower depending on pressure and viscosity.

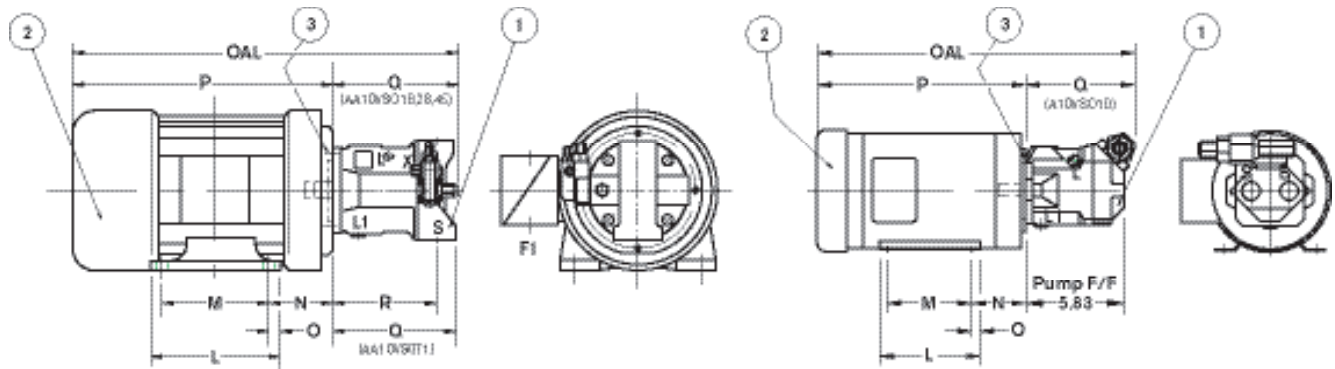
† All max. pressures reflect an 85% overall efficiency.

X Max. pressure at full flow <500 PSI – consult factory.

Note: All motors have a 1.15 SF (not considered in calculations).

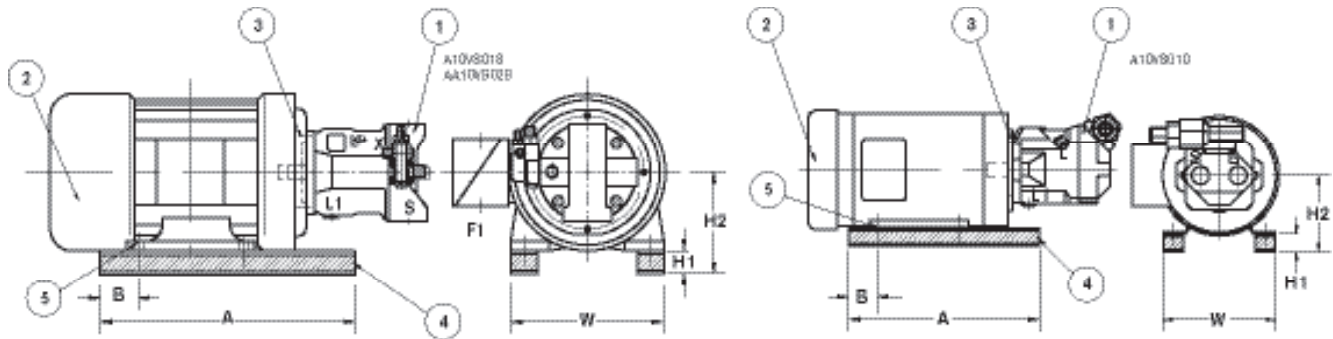
Note: Apply an even layer of lubricant to the pump shaft and fill the female motor shaft with lubricant less the pump shaft volume.
 Use only Castrol "Optimol Optimoly Paste White T" P/N 08464-215.

Motor / Pump / Group – A10VSO..., AA10VSO...
Horizontal Mounting without Damping Rails



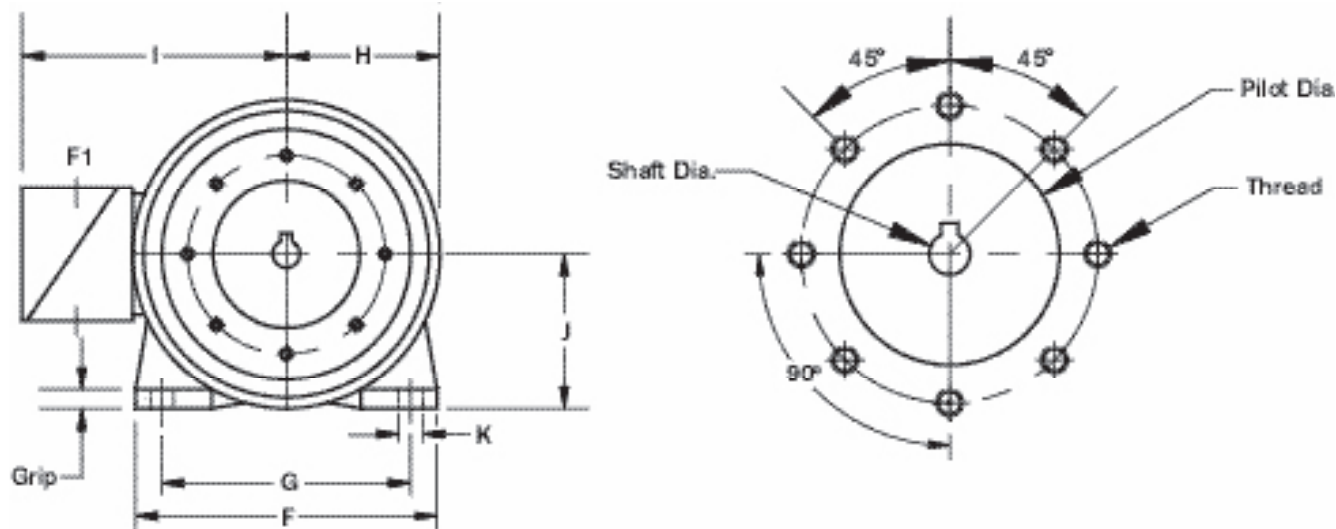
Assembly Number	Pump / Part Number Item 1	Motor Number Item 2	Pump Bolts Item 3	L (inch)	M (inch)	N (inch)	O (inch)	P (inch)	Q (inch)	R (inch)	OAL (inch)	Total Wt. (lbs.)
R978901613	A10VSO10DR \ R910988126	145TYZ \ 2 HP	R978801152 3/8-16 x 1 Qty. 2	5.94	5.00	2.69	0.50	12.33	6.45	Port Plate	18.78	73
R978901615	A10VSO10DFR \ R910988130	R978888620										
R978901617	A10VSO10DR \ R910988126	182TYZ \ 3 HP		6.50	4.50	3.19	0.50	12.12	6.45	Port Plate	18.57	91
R978901607	A10VSO10DFR \ R910988130	R978884389										
R978901609	A10VSO10DR \ R910988126	184TYZ \ 5 HP		6.50	5.50	3.19	0.50	13.50	6.45	Port Plate	19.95	110
R978901611	A10VSO10DFR \ R910988130	R978884390										
R978901619	A10VSO10DR \ R910988126	213TYZ \ 7.5HP		8.00	5.50	3.65	0.50	14.71	6.45	Port Plate	21.16	142
R978901621	A10VSO10DFR \ R910988130	R978884456										
R978903605	A10VSO10DR \ R910988126	215TYZ \ 10 HP	8.00	7.00	3.65	0.50	16.59	6.45	Port Plate	23.04	176	
R978903607	A10VSO10DFR \ R910988130	R978884457										
R978839420	A10VSO18DR \ R910940516	145TYZ \ 2 HP	R978801152 3/8-16 x 1 Qty. 2	5.94	5.00	2.69	0.50	12.33	7.68	5.71	20.01	82
R978839418	A10VSO18DFR \ R910946934	R978888620										
R978837580	A10VSO18DR \ R910940516	182TYZ \ 3 HP		6.50	4.50	3.19	0.50	12.13	7.68	5.71	19.81	100
R978837581	A10VSO18DFR \ R910946934	R978884389										
R978837572	A10VSO18DR \ R910940516	184TYZ \ 5 HP		6.50	5.50	3.19	0.50	13.50	7.68	5.71	21.18	108
R978837582	A10VSO18DFR \ R910946934	R978884390										
R978837583	A10VSO18DR \ R910940516	213TYZ \ 7.5HP		8.00	5.50	3.65	0.50	14.71	7.68	5.71	22.39	151
R978837584	A10VSO18DFR \ R910946934	R978884456										
R978837585	A10VSO18DR \ R910940516	215TYZ \ 10 HP	8.00	7.00	3.65	0.50	16.59	7.68	5.71	24.27	185	
R978837586	A10VSO18DFR \ R910946934	R978884457										
R978837587	AA10VSO28DR \ R902400456	213TYZ \ 5 HP	R978801163 1/2-13x1-1/4 Qty. 2	8.00	5.50	3.65	0.50	14.73	8.11	6.48	22.84	137
R978837589	AA10VSO28DFR \ R910939606	R978884458										
R978837590	AA10VSO28DFR \ R902400456	213TYZ \ 7.5HP		8.00	5.50	3.65	0.50	14.73	8.11	6.48	22.84	158
R978837591	AA10VSO28DFR \ R910939606	R978884459										
R978837592	AA10VSO28DR \ R902400456	215TYZ \ 10 HP		8.00	7.00	3.65	0.50	16.59	8.11	6.48	24.70	191
R978837593	AA10VSO28DFR \ R910939606	R978884460										
R978837594	AA10VSO28DR \ R902400456	254TYZ \ 15 HP		11.50	8.25	4.22	0.75	19.13	8.11	6.48	27.24	269
R978837595	AA10VSO28DFR \ R910939606	R978884461										
R978837596	AA10VSO28DR \ R902400456	256TYZ \ 20 HP	11.50	10.00	4.22	0.75	19.13	8.11	6.48	27.24	268	
R978837597	AA10VSO28DFR \ R910939606	R978884462										
R978837600	AA10VSO45DR \ R910940544	213TYZ \ 7.5HP	R978801163 1/2-13x1-1/4 Qty. 2 Pump Bolts Item 3	8.00	5.50	3.65	0.50	15.84	8.82	7.24	24.66	268
R978837601	AA10VSO45DFR \ R910939612	R978884464										
R978837602	AA10VSO45DR \ R910940544	215TYZ \ 10 HP		8.00	7.00	3.65	0.50	16.59	8.82	7.24	25.41	313
R978837603	AA10VSO45DFR \ R910939612	R978884465										
R978837604	AA10VSO45DR \ R910940544	254TYZ \ 15 HP		11.50	8.25	4.22	0.75	19.13	8.82	7.24	27.95	282
R978837605	AA10VSO45DFR \ R910939612	R978884466										
R978837606	AA10VSO45DR \ R910940544	256TYZ \ 20 HP	11.50	10.00	4.22	0.75	19.13	8.82	7.24	27.95	301	
R978837607	AA10VSO45DFR \ R910939612	R978884467										

Motor / Pump / Group – A10VSO..., AA10VSO...
Horizontal Mounting with Damping Rails



Assembly Number Items 1-5	Pump / Part Number Item 1	Motor Number Item 2	Pump Bolts Item 3	Damping Rails Item 4	Damping Bolts Item 5	A (inch)	B (inch)	W (inch)	H1 (inch)	H2 (inch)	Total Wt. (lbs.)
R978901614	A10VSO10DR \ R910988126	145TYZ \ 2 HP R978888620	R978801152 3/8-16 x 1 Qty. 2	R978883832 (50x40x12") Qty. 2	R978801151 3/8-16X 3/4 Qty. 4	12.00	2.00	6.50	1.57	5.07	87
R978901616	A10VSO10DFR \ R910988130										
R978901618	A10VSO10DR \ R910988126	182TYZ \ 3 HP R978884389				12.00	2.00	8.63	1.57	6.07	105
R978901608	A10VSO10DFR \ R910988130										
R978901610	A10VSO10DR \ R910988126	184TYZ \ 5 HP R978884390				12.00	2.00	8.63	1.57	6.07	123
R978901612	A10VSO10DFR \ R910988130										
R978901620	A10VSO10DR \ R910988126	213TYZ \ 7.5 HP R978884456				12.00	2.00	9.50	1.57	6.82	156
R978901622	A10VSO10DFR \ R910988130										
R978903606	A10VSO10DR \ R910988126	215TYZ \ 10 HP R978884457	12.00	2.00	9.50	1.57	6.82	190			
R978903608	A10VSO10DFR \ R910988130										
R978839421	A10VSO18DR \ R910940516	145TYZ \ 2 HP R978888620	R978801152 3/8-16 x 1 Qty. 2	R978883832 (50x40x12") Qty. 2	R978801151 3/8-16X 3/4 Qty. 4	12.00	2.00	6.50	1.57	5.07	96
R978839419	A10VSO18DFR \ R910946934										
R978837620	A10VSO18DR \ R910940516	182TYZ \ 3 HP R978884389				12.00	2.00	8.63	1.57	6.07	114
R978837621	A10VSO18DFR \ R910946934										
R978837622	A10VSO18DR \ R910940516	184TYZ \ 5 HP R978884390				12.00	2.00	8.63	1.57	6.07	122
R978837623	A10VSO18DFR \ R910946934										
R978837624	A10VSO18DR \ R910940516	213TYZ \ 7.5HP R978884456				12.00	2.00	9.50	1.57	6.82	165
R978837625	A10VSO18DFR \ R910946934										
R978837626	A10VSO18DR \ R910940516	215TYZ \ 10 HP R978884457	12.00	2.00	9.50	1.57	6.82	199			
R978837627	A10VSO18DFR \ R910946934										
R978837628	AA10VSO28DR \ R902400456	213TYZ \ 5 HP R978884458	R978801163 1/2-13x1-1/4 Qty. 2	R978883832 (50x40x12") Qty. 2	R978801151 3/8-16X 3/4 Qty. 4	12.00	2.00	9.50	1.57	6.82	151
R978837629	AA10VSO28DFR \ R910939606										
R978837630	AA10VSO28DFR \ R902400456	213TYZ \ 7.5HP R978884459				12.00	2.00	9.50	1.57	6.82	172
R978837631	AA10VSO28DFR \ R910939606										
R978837632	AA10VSO28DR \ R902400456	215TYZ \ 10 HP R978884460				12.00	2.00	9.50	1.57	6.82	205
R978837633	AA10VSO28DFR \ R910939606										
R978837634	AA10VSO28DR \ R902400456	254TYZ \ 15 HP R978884461				18.00	2.50	11.50	1.57	7.82	283
R978837635	AA10VSO28DFR \ R910939606										
R978837636	AA10VSO28DR \ R902400456	256TYZ \ 20 HP R978884462	18.00	2.50	11.50	1.57	7.82	282			
R978837637	AA10VSO28DFR \ R910939606										
R978837640	AA10VSO45DR \ R910940544	213TYZ \ 7.5HP R978884464	R978801163 1/2-13x1-1/4 Qty. 2	R978883832 (50x40x12") Qty. 2	R978801151 3/8-16X 3/4 Qty. 4	12.00	2.00	9.50	1.58	6.83	282
R978837641	AA10VSO45DFR \ R910939612										
R978837642	AA10VSO45DR \ R910940544	215TYZ \ 10 HP R978884465				12.00	2.00	9.50	1.58	6.83	327
R978837643	AA10VSO45DFR \ R910939612										
R978837644	AA10VSO45DR \ R910940544	254TYZ \ 15 HP R978884466				18.00	2.50	11.50	1.58	7.83	303
R978837645	AA10VSO45DFR \ R910939612										
R978837646	AA10VSO45DR \ R910940544	256TYZ \ 20 HP R978884467				18.00	2.50	11.50	1.58	7.83	322
R978837647	AA10VSO45DFR \ R910939612										

Unit dimensions – Close-Coupled Motor: dimensions in inches



Note: Apply an even layer of lubricate to the pump shaft and fill the female motor shaft with lubricate less the pump shaft volume. Use only Castrol "Optimol Optimoly Paste White T" P/N 08464-215.

Full Horsepower for 1800 rpm 208–230 / 460 Volt / 60 Hz Motors

PUmp Size	Motor Frame	Motor Part Number	HP	Shaft Dia.	Pilot Dia.	B.C.	Bolt Hole	Thrd.	K Dia.	G	F	H	I	J +0.00 -0.06	Grip	Wt. (lbs.)
A10VSO10	182TYZ	R978884389	3	0.750	3.251	4.188	8	3/8-16	0.41	7.50	8.63	5.16	5.97	4.50	0.19	65
A10VSO10	184TYZ	R978884390	5	0.750	3.251	4.188	8	3/8-16	0.41	7.50	8.63	5.16	5.97	4.50	0.19	81
A10VSO10	213TYZ	R978884456	7.5	0.750	3.251	4.188	4	3/8-16	0.41	8.50	9.50	4.78	7.46	5.25	0.19	124
A10VSO10	215TYZ	R978884457	10	0.750	3.251	4.188	4	3/8-16	0.41	8.50	9.50	4.78	7.46	5.25	0.19	158
AA10VSO18	182TYZ	R978884389	3	0.750	3.251	4.188	8	3/8-16	0.41	7.50	8.63	5.16	5.97	4.50	0.19	65
AA10VSO18	184TYZ	R978884390	5	0.750	3.251	4.188	8	3/8-16	0.41	7.50	8.63	5.16	5.97	4.50	0.19	81
AA10VSO18	213TYZ	R978884456	7.5	0.750	3.251	4.188	4	3/8-16	0.41	8.50	9.50	4.78	7.46	5.25	0.19	124
AA10VSO18	215TYZ	R978884457	10	0.750	3.251	4.188	4	3/8-16	0.41	8.50	9.50	4.78	7.46	5.25	0.19	158
AA10VSO28	213TYZ*	R978884458	5	0.875	4.003	5.750	8	1/2-13	0.53	8.50	9.50	4.78	7.46	5.25	0.19	104
AA10VSO28	213TYZ	R978884459	7.5	0.875	4.003	5.750	8	1/2-13	0.53	8.50	9.50	4.78	7.46	5.25	0.19	125
AA10VSO28	215TYZ	R978884460	10	0.875	4.003	5.750	8	1/2-13	0.53	8.50	9.50	4.78	7.46	5.25	0.19	158
AA10VSO28	254TYZ	R978884461	15	0.875	4.003	5.750	8	1/2-13	0.53	10.00	11.50	5.75	8.86	6.25	0.75	236
AA10VSO28	256TYZ	R978884462	20	0.875	4.003	5.750	8	1/2-13	0.53	10.00	11.50	6.63	9.48	6.25	0.75	235
AA10VSO45	213TYZ	R978884464	7.5	1.000	4.003	5.750	8	1/2-13	0.53	8.50	9.50	4.78	7.46	5.25	0.19	122
AA10VSO45	215TYZ	R978884465	10	1.000	4.003	5.750	8	1/2-13	0.53	8.50	9.50	4.78	7.46	5.25	0.19	167
AA10VSO45	254TYZ	R978884466	15	1.000	4.003	5.750	8	1/2-13	0.53	10.00	11.50	5.75	8.86	6.25	0.75	236
AA10VSO45	256TYZ	R978884467	20	1.000	4.003	5.750	8	1/2-13	0.53	10.00	11.50	6.63	9.48	6.25	0.75	255

* Combination HP to frame size not a NEMA standard.

Horsepower de-rated to 5/6 when using at 190 / 380 Volt / 50 Hz.

Full Horsepower for 1500/1800 rpm 190 / 380 Volt / 50 Hz 230 / 460 Volt / 60 Hz Dual Frequency Motors

Pump Size	Motor Frame	Motor Part Number	HP	Shaft Dai.	Pilot Dia.	B.C.	Bolt Hole	Thrd.	K Dia.	G	F	H	I	J +0.00 -0.06	Grip	Wt. (lbs.)
A10VS10	145TYZ	R978888620	2	0.750	3.251	4.188	8	3/8-16	0.34	5.50	6.50	4.78	5.24	3.50	0.19	55
AA10VSO18	145TYZ	R978888620	2	0.750	3.251	4.188	8	3/8-16	0.34	5.50	6.50	4.78	5.24	3.50	0.19	55
AA10VSO18	182TYZ	R978889549	3	0.750	3.251	4.188	8	3/8-16	0.41	7.50	8.63	5.16	5.97	4.50	0.19	73
AA10VSO45	215TYZ	R978885418	7.5	0.875	4.003	5.750	8	1/2-13	0.53	8.50	9.50	4.78	7.46	5.25	0.19	133
AA10VSO45	215TYZ	R978889616	10	1.000	4.003	5.750	8	1/2-13	0.53	8.50	9.50	4.78	7.46	5.25	0.19	158

Standard Part Numbers: Motor / Pump / with or without Mounting Rails

Model Code (without mounting rails)	Part Number	Model Code (with mounting rails)	Part Number
MPGB002HTYZ4DBFFS1HA10010DRKNN1NN	R978901613	MPGB002HTYZ4DBFFS1HA10010DRKNN1DR	R978901614
MPGB002HTYZ4DBFFS1HA10010DFRKNN1NN	R978901615	MPGB002HTYZ4DBFFS1HA10010DFRKNN1DR	R978901616
MPGB003HTYZ46EZFS1HA10010DRKNN1NN	R978901617	MPGB003HTYZ46EZFS1HA10010DRKNN1DR	R978901618
MPGB003HTYZ46EZFS1HA10010DFRKNN1NN	R978901607	MPGB003HTYZ46EZFS1HA10010DFRKNN1DR	R978901608
MPGB005HTYZ46EZFS1HA10010DRKNN1NN	R978901609	MPGB005HTYZ46EZFS1HA10010DRKNN1DR	R978901610
MPGB005HTYZ46EZFS1HA10010DFRKNN1NN	R978901611	MPGB005HTYZ46EZFS1HA10010DFRKNN1DR	R978901612
MPGB7.5HTYZ46EZFS1HA10010DRKNN1NN	R978901619	MPGB7.5HTYZ46EZFS1HA10010DRKNN1DR	R978901620
MPGB7.5HTYZ46EZFS1HA10010DFRKNN1NN	R978901621	MPGB7.5HTYZ46EZFS1HA10010DFRKNN1DR	R978901622
MPGB010HTYZ46EZFS1HA10010DRKNN1NN	R978903605	MPGB010HTYZ46EZFS1HA10010DRKNN1NDR	R978903606
MPGB010HTYZ46EZFS1HA10010DFRKNN1NN	R978903607	MPGB010HTYZ46EZFS1HA10010DFRKNN1NDR	R978903608
MPGB002HTYZ4DBFFS1HAA10018DRKNN1NN	R978839418	MPGB002HTYZ4DBFFS1HA10018DRKNN1DR	R978839421
MPGB002HTYZ4DBFFS1HAA10018DRKNN1NN	R978839420	MPGB002HTYZ4DBFFS1HA10018DFRKNN1DR	R978839419
MPGB003HTYZ46EZFS1HA10018DRKNN1NN	R978837580	MPGB003HTYZ46EZFS1HA10018DRKNN1DR	R978837620
MPGB003HTYZ46EZFS1HA10018DFRKNN1NN	R978837581	MPGB003HTYZ46EZFS1HA10018DFRKNN1DR	R978837621
MPGB005HTYZ46EZFS1HA10018DRKNN1NN	R978837572	MPGB005HTYZ46EZFS1HA10018DRKNN1DR	R978837622
MPGB005HTYZ46EZFS1HA10018DFRKNN1NN	R978837582	MPGB005HTYZ46EZFS1HA10018DFRKNN1DR	R978837623
MPGB7.5HTYZ46EZFS1HA10018DRKNN1NN	R978837583	MPGB7.5HTYZ46EZFS1HA10018DRKNN1DR	R978837624
MPGB7.5HTYZ46EZFS1HA10018DFRKNN1NN	R978837584	MPGB7.5HTYZ46EZFS1HA10018DFRKNN1DR	R978837625
MPGB010HTYZ46EZFS1HA10018DRKNN1NN	R978837585	MPGB010HTYZ46EZFS1HA10018DRKNN1DR	R978837626
MPGB010HTYZ46EZFS1HA10018DFRKNN1NN	R978837586	MPGB010HTYZ46EZFS1HA10018DFRKNN1DR	R978837627
MPGB005HTYZ46EZFS1HAA10028DRKNN1NN	R978837587	MPGB005HTYZ46EZFS1HAA10028DRKNN1DR	R978837628
MPGB005HTYZ46EZFS1HAA10028DFRKNN1NN	R978837589	MPGB005HTYZ46EZFS1HAA10028DFRKNN1DR	R978837629
MPGB7.5HTYZ46EZFS1HAA10028DRKNN1NN	R978837590	MPGB7.5HTYZ46EZFS1HAA10028DRKNN1DR	R978837630
MPGB7.5HTYZ46EZFS1HAA10028DFRKNN1NN	R978837591	MPGB7.5HTYZ46EZFS1HAA10028DFRKNN1DR	R978837631
MPGB010HTYZ46EZFS1HAA10028DRKNN1NN	R978837592	MPGB010HTYZ46EZFS1HAA10028DRKNN1DR	R978837632
MPGB010HTYZ46EZFS1HAA10028DFRKNN1NN	R978837593	MPGB010HTYZ46EZFS1HAA10028DFRKNN1DR	R978837633
MPGB015HTYZ46EZFS1HAA10028DRKNN1NN	R978837594	MPGB015HTYZ46EZFS1HAA10028DRKNN1DR	R978837634
MPGB015HTYZ46EZFS1HAA10028DFRKNN1NN	R978837595	MPGB015HTYZ46EZFS1HAA10028DFRKNN1DR	R978837635
MPGB020HTYZ46EZFS1HAA10028DRKNN1NN	R978837596	MPGB020HTYZ46EZFS1HAA10028DRKNN1DR	R978837636
MPGB020HTYZ46EZFS1HAA10028DFRKNN1NN	R978837597	MPGB020HTYZ46EZFS1HAA10028DFRKNN1DR	R978837637
MPGB7.5HTYZ46EZFS1HAA10045DRKNN1NN	R978837600	MPGB7.5HTYZ46EZFS1HAA10045DRKNN1DR	R978837640
MPGB7.5HTYZ46EZFS1HAA10045DFRKNN1NN	R978837601	MPGB7.5HTYZ46EZFS1HAA10045DFRKNN1DR	R978837641
MPGB010HTYZ46EZFS1HAA10045DRKNN1NN	R978837602	MPGB010HTYZ46EZFS1HAA10045DRKNN1DR	R978837642
MPGB010HTYZ46EZFS1HAA10045DFRKNN1NN	R978837603	MPGB010HTYZ46EZFS1HAA10045DFRKNN1DR	R978837643
MPGB015HTYZ46EZFS1HAA10045DRKNN1NN	R978837604	MPGB015HTYZ46EZFS1HAA10045DRKNN1DR	R978837644
MPGB015HTYZ46EZFS1HAA10045DFRKNN1NN	R978837605	MPGB015HTYZ46EZFS1HAA10045DFRKNN1DR	R978837645
MPGB020HTYZ46EZFS1HAA10045DRKNN1NN	R978837606	MPGB020HTYZ46EZFS1HAA10045DRKNN1DR	R978837646
MPGB020HTYZ46EZFS1HAA10045DFRKNN1NN	R978837607	MPGB020HTYZ46EZFS1HAA10045DFRKNN1DR	R978837647

Notes

Bosch Rexroth Corp.
Industrial Hydraulics
2315 City Line Road
Bethlehem, PA 18017-2131
USA
Telephone (610) 694-8300
Facsimile (610) 694-8467
www.boschrexroth-us.com

© 2004 Bosch Rexroth Corporation

All rights reserved. Neither this document nor any part of it may be reproduced, duplicated, circulated or disseminated, whether by copy, electronic format or any other means, without the prior consent and authorization of Bosch Rexroth Corporation.

The data and illustrations in this brochure/data sheet are intended only to describe or depict the products. No representation or warranty, either express or implied, relating to merchantability or fitness for intended use, is given or intended by virtue of the information contained in this brochure/data sheet. The information contained in this brochure/data sheet in no way relieves the user of its obligation to insure the proper use of the products for a specific use or application. All products contained in this brochure/data sheet are subject to normal wear and tear from usage.

Subject to change.