

Air Preparation Products Prep-Air® II Products

Particulate Filters

05F Economy	E2-E3
06F Compact	E4-E5
07F Standard	E6-E7

Coalescing Filters

15F Economy	E8-E9
11F Compact	E10-E11
12F Standard	E12-E13

Regulators

05R Economy	E14-E15
06R Compact	E16-E17
07R Standard	E18-E19

Pilot Controlled Regulators

11R Economy	E20-E21
12R Standard	E22-E23

Filter / Regulators

05E Economy	E24-E25
06E Compact	E26-E27
07E Standard	E28-E29
12E Coalescing	E30-E31

Lubricators

15L Economy, Micro-Mist	E32-E33
16L Compact, Micro-Mist	E34-E35
17L Standard, Micro-Mist	E36-E37
06L Compact, Mist	E38-E39
07L Standard, Mist	E40-E41

Combinations

06 Compact & 07 Standard, Close Nipped	E42-E43
06 Compact & 07 Standard, Modular	E44-E45
Accessories	E46-E47

Accessories

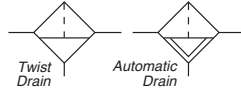
06S & 07S Soft Start / Quick Dump Valves	E48-E49
06T & 07T Solenoid Quick Dump Valves	E50-E51
06P & 07P Auto Pilot Soft Start Valve	E52-E53
Mounting Bracket Kits	E54
Remote Auto-Fill Device	E55



Economy Particulate Filters

05F Particulate Filters – Economy

- Excellent water removal efficiency
- Unique deflector plate and shroud creates a swirling of the air stream ensuring maximum water and dirt separation
- Large filter element surface guarantees low pressure drop and increased element life
- 40 micron filter element standard
- Shown with recommended metal bowl guard
- 1/4" & 3/8" ports (NPT)



Port size	Description †	Part number
1/4"	Poly bowl, metal guard, twist drain	05F12AA
1/4"	Poly bowl, metal guard, auto pulse drain	05F1PAA
3/8"	Poly bowl, metal guard, twist drain	05F22AA
3/8"	Poly bowl, metal guard, auto pulse drain	05F2PAA

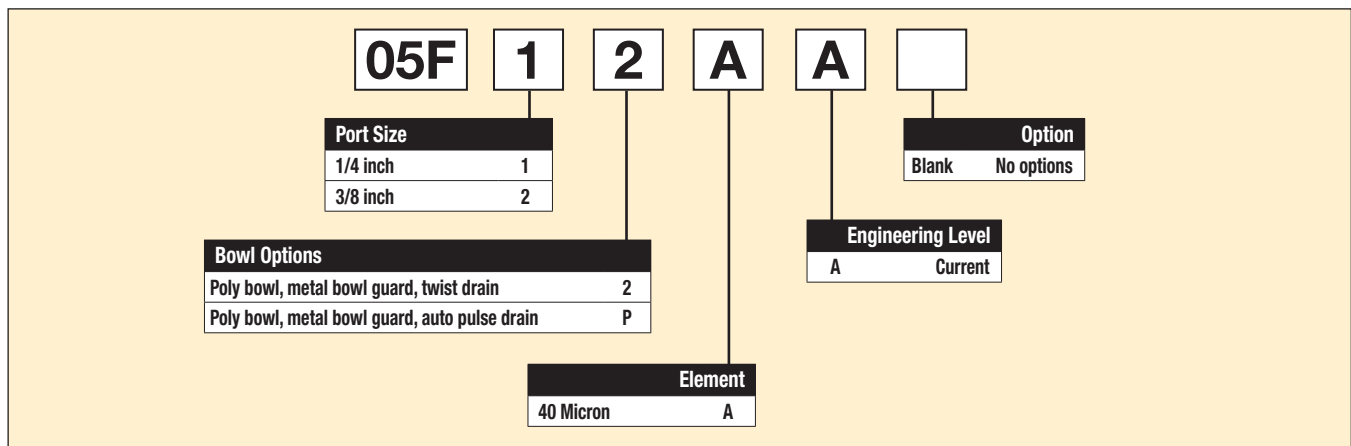
† For polycarbonate bowl and sight dome, see caution in Engineering Section A.

Operating information

Supply pressure (max):		
Plastic bowl		0 to 150 psig (0 to 10.3 bar)
Auto pulse drain		10 to 150 psig (0.7 to 10.3 bar)
Operating temperature:		
Plastic bowl		32°F to 125°F (0°C to 52°C)
Flow capacity†:		
High flow	1/4"	54 scfm (25.5 dm ³ /s, ANR)
	3/8"	70 scfm (33 dm ³ /s, ANR)
Bowl capacity:		2.0 oz.
Sump capacity:		0.9 oz.
Weight:		1.2 lb (0.54 kg)

† scfm = Standard cubic feet per minute at 90 psig inlet and 5 psig pressure drop.

Ordering information:



Most popular.



For inventory, lead times, and kit lookup, visit www.pdnplu.com

Prep-Air® II Products
 Filters
 Coalescers
 Regulators
 Filter / Regulators
 Lubricators
 Combinations
 Accessories

Economy Particulate Filters

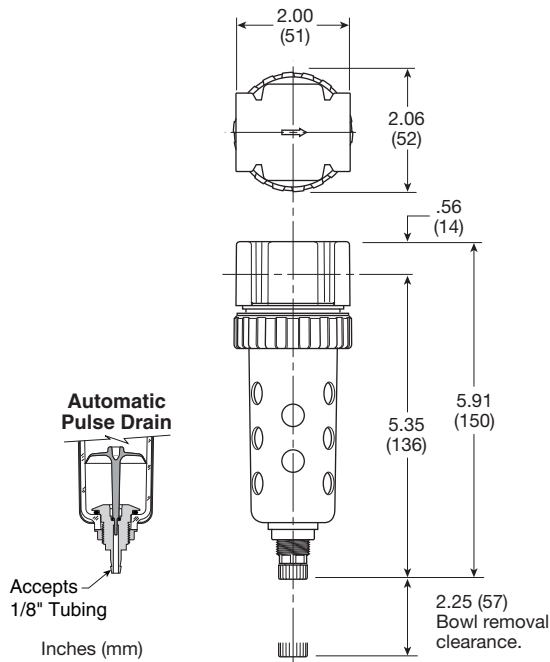
Air Preparation Products Prep-Air® II Series

Material Specifications

Body	Zinc
Transparent bowl	Polycarbonate
Bowl guards	Steel
Collar	Plastic
Deflector, shroud & baffle	Plastic
Drain	Plastic
Element	Plastic
Adsorber (optional)	Activated charcoal
Seals	Nitrile
Sight gauge	Polyamide (nylon)

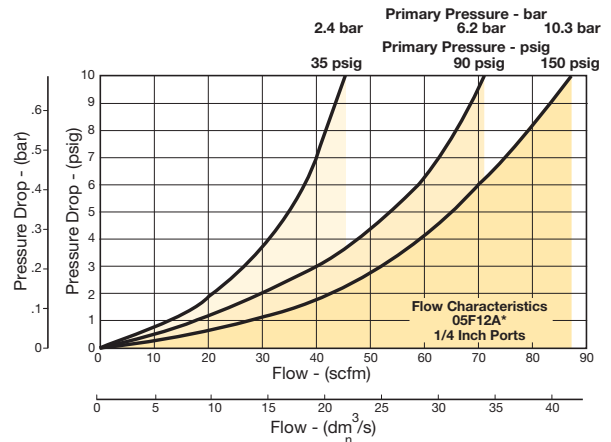
Repair and Service Kits

Bowl guard kit	PS905P
Poly bowl / auto pulse drain	PS995P
Poly bowl / twist drain	PS932P
Auto pulse drain	PS998P
Twist drain	PS512P
40 micron element	PS901P
Adsorber	PS931P
Mounting bracket kit	PS943P
Sight gauge kit	PS914P

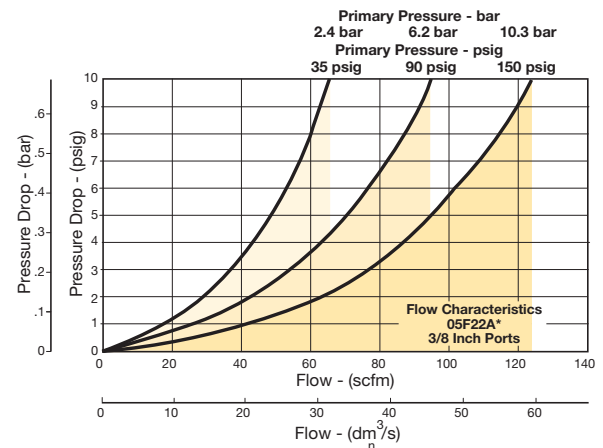


Flow Charts

05F 1/4" Particulate Filter



05F 3/8" Particulate Filter



Prep-Air® II
Products



Filters

Coalescers

Regulators

Filter/
Regulators

Lubricators

Combinations

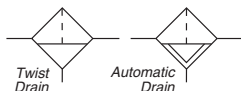
Accessories



For inventory, lead time, and kit lookup, visit www.pdnplu.com

06F Particulate Filters – Compact

- Excellent water removal efficiency
- Unique deflector plate and shroud creates a swirling of the air stream ensuring maximum water and dirt separation
- Large filter element surface guarantees low pressure drop and increased element life
- Optional automatic float drain available
- Shown with recommended metal bowl guard
- 1/4", 3/8", 1/2" ports – NPT, BSPP



Port size	Description ‡	Part number
1/4"	Poly bowl, metal guard, twist drain	06F12AC
1/4"	Metal bowl, sight gauge, twist drain	06F14AC
1/4"	Poly bowl, metal guard, auto float drain	06F16AC
1/4"	Metal bowl, sight gauge, auto float drain	06F18AC
3/8"	Poly bowl, metal guard, twist drain	06F22AC
3/8"	Metal bowl, sight gauge, twist drain	06F24AC
3/8"	Poly bowl, metal guard, auto float drain	06F26AC
3/8"	Metal bowl, sight gauge, auto float drain	06F28AC
1/2"	Poly bowl, metal guard, twist drain	06F32AC
1/2"	Metal bowl, sight gauge, twist drain	06F34AC
1/2"	Poly bowl, metal guard, auto float drain	06F36AC
1/2"	Metal bowl, sight gauge, auto float drain	06F38AC

‡ For polycarbonate bowl and sight dome, see caution in Engineering Section A.

Operating information

Supply pressure (max):	
Without DPI	
Plastic bowl	0 to 150 psig (0 to 10.3 bar)
Metal bowl	0 to 250 psig (0 to 17.2 bar)
With DPI	
Auto float drain	0 to 150 psig (0 to 10.3 bar) 15 to 250 psig (1.0 to 17.2 bar)
Operating temperature:	
Plastic bowl	32°F to 125°F (0°C to 52°C)
Metal bowl	32°F to 175°F (0°C to 80°C)
With DPI	32°F to 125°F (0°C to 52°C)
Flow capacity†:	
High flow	1/4" 53 scfm (25 dm³/s, ANR) 3/8" 80 scfm (37.8 dm³/s, ANR) 1/2" 85 scfm (40.1 dm³/s, ANR)
Bowl capacity:	4.4 oz.
Sump capacity:	1.75 oz.
Weight:	1.4 lb (0.6 kg)

† scfm = Standard cubic feet per minute at 90 psig inlet and 5 psig pressure drop.

DPI = Differential pressure indicator

Ordering information:

06F	1	2	A	C	 																
<table border="1"> <thead> <tr><th>Port Size</th></tr> </thead> <tbody> <tr><td>1/4 inch</td><td>1</td></tr> <tr><td>3/8 inch</td><td>2</td></tr> <tr><td>1/2 inch</td><td>3</td></tr> </tbody> </table>		Port Size	1/4 inch	1	3/8 inch	2	1/2 inch	3			<table border="1"> <thead> <tr><th>Port Type</th></tr> </thead> <tbody> <tr><td>Blank</td><td>NPT</td></tr> <tr><td>1*</td><td>BSPP</td></tr> </tbody> </table> <p>* 1/4 & 3/8 inch meets ISO 1179-1 standard.</p>		Port Type	Blank	NPT	1*	BSPP				
Port Size																					
1/4 inch	1																				
3/8 inch	2																				
1/2 inch	3																				
Port Type																					
Blank	NPT																				
1*	BSPP																				
<table border="1"> <thead> <tr><th>Bowl Options</th></tr> </thead> <tbody> <tr><td>Poly bowl, metal bowl guard, twist drain</td><td>2</td></tr> <tr><td>Poly bowl, metal bowl guard, auto float drain</td><td>6</td></tr> <tr><td>Metal bowl, twist drain</td><td>3</td></tr> <tr><td>Metal bowl, sight gauge, twist drain</td><td>4</td></tr> <tr><td>Metal bowl, auto float drain</td><td>7</td></tr> <tr><td>Metal bowl, sight gauge, auto float drain</td><td>8</td></tr> </tbody> </table>			Bowl Options	Poly bowl, metal bowl guard, twist drain	2	Poly bowl, metal bowl guard, auto float drain	6	Metal bowl, twist drain	3	Metal bowl, sight gauge, twist drain	4	Metal bowl, auto float drain	7	Metal bowl, sight gauge, auto float drain	8	<table border="1"> <thead> <tr><th>Engineering Level</th></tr> </thead> <tbody> <tr><td>C</td><td>Current</td></tr> </tbody> </table>			Engineering Level	C	Current
Bowl Options																					
Poly bowl, metal bowl guard, twist drain	2																				
Poly bowl, metal bowl guard, auto float drain	6																				
Metal bowl, twist drain	3																				
Metal bowl, sight gauge, twist drain	4																				
Metal bowl, auto float drain	7																				
Metal bowl, sight gauge, auto float drain	8																				
Engineering Level																					
C	Current																				
			<table border="1"> <thead> <tr><th>Element</th></tr> </thead> <tbody> <tr><td>A</td><td>40 Micron</td></tr> <tr><td>B</td><td>5 Micron</td></tr> </tbody> </table>			Element	A	40 Micron	B	5 Micron											
Element																					
A	40 Micron																				
B	5 Micron																				

Most popular.



For inventory, lead times, and kit lookup, visit www.pdnplu.com

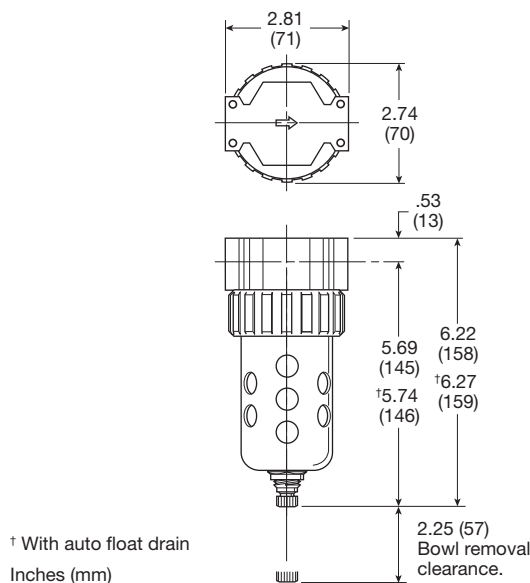
Compact Particulate Filters

Material Specifications

Body	Zinc
Transparent bowl	Polycarbonate
Metal bowl with or without sight gauge	Zinc
Bowl Guards	Steel
Collar	Plastic
Deflector, shroud & baffle	Plastic
Twist drain - body & nut	Plastic
Auto float drain - housing, float	Plastic
Auto float drain - seals	Nitrile
Auto float drain - springs, push rod	Stainless steel
Element	Plastic
Adsorber (optional)	Activated charcoal
Seals	Nitrile
Sight gauge	Polyamide

Repair and Service Kits

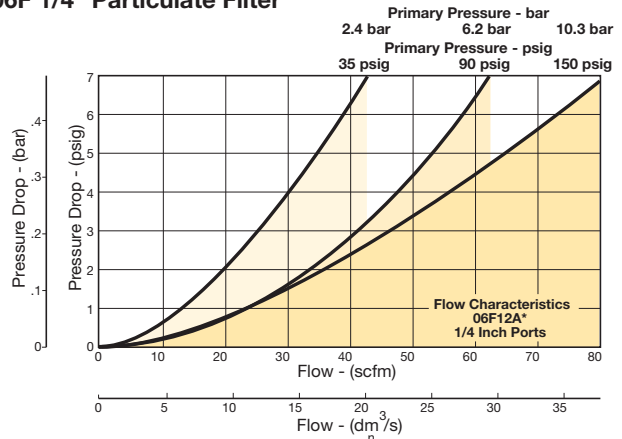
Bowl guard kit	PS705P
Poly bowl / auto float drain kit	PS722P
Poly bowl / twist drain kit	PS732P
Metal bowl / auto float drain kit	PS726P
Metal bowl / twist drain kit	PS734P
Metal bowl / sight gauge / auto float drain kit	PS723P
Metal bowl / sight gauge / twist drain kit	PS735P
Auto float drain kit	PS506P
Twist drain kit	PS512P
40 micron element	PS701P
5 micron element	PS702P
Adsorber element	PS731P
Mounting bracket kit	PS743P
Sight gauge kit	PS914P



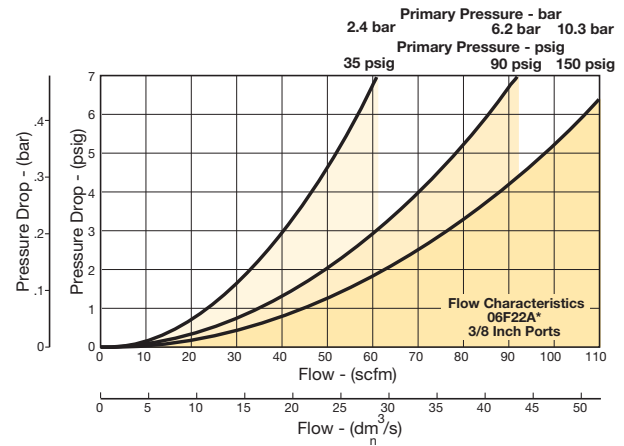
Air Preparation Products Prep-Air® II Series

Flow Charts

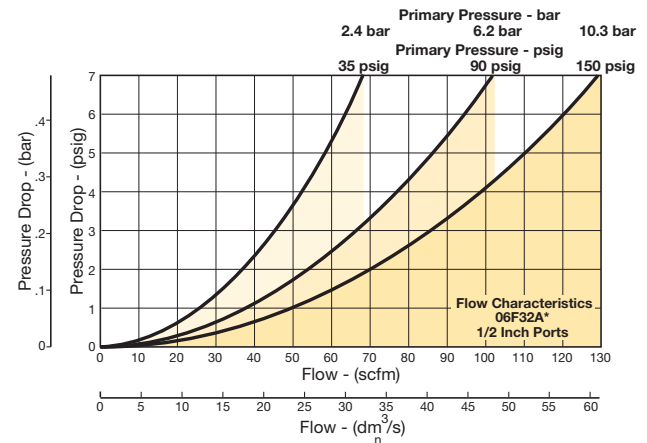
06F 1/4" Particulate Filter



06F 3/8" Particulate Filter



06F 1/2" Particulate Filter



Prep-Air® II
Products



Filters

Coalescers

Regulators

Filter /
Regulators

Lubricators

Combinations

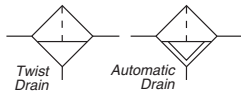
Accessories



For inventory, lead time, and kit lookup, visit www.pdnplu.com

07F Particulate Filters – Standard

- Excellent water removal efficiency.
- Unique deflector plate and shroud creates a swirling of the air stream ensuring maximum water and dirt separation.
- Large filter element surface guarantees low pressure drop and increased element life.
- Optional automatic float drain available.
- Shown with recommended metal bowl guard.
- 1/2", 3/4" ports – NPT, BSPP



Port size	Description †	Part number
1/2"	Poly bowl, metal guard, twist drain	07F32AC
1/2"	Metal bowl, sight gauge, twist drain	07F34AC
1/2"	Poly bowl, metal guard, auto float drain	07F36AC
1/2"	Metal bowl, sight gauge, auto float drain	07F38AC
3/4"	Poly bowl, metal guard, twist drain	07F42AC
3/4"	Metal bowl, sight gauge, twist drain	07F44AC
3/4"	Poly bowl, metal guard, auto float drain	07F46AC
3/4"	Metal bowl, sight gauge, auto float drain	07F48AC

† For polycarbonate bowl and sight dome, see caution in Engineering Section A.

Operating information

Supply pressure (max):
 Without DPI
 Plastic bowl 0 to 150 psig (0 to 10.3 bar)
 Metal bowl 0 to 250 psig (0 to 17.2 bar)
 With DPI
 Auto float drain 15 to 250 psig (1.0 to 17.2 bar)

Operating temperature:
 Plastic bowl 32°F to 125°F (0°C to 52°C)
 Metal bowl 32°F to 175°F (0°C to 80°C)
 With DPI 32°F to 125°F (0°C to 52°C)

Flow capacity†:
 High flow 1/2" 130 scfm (61.4 dm³/s, ANR)
 3/4" 145 scfm (68.4 dm³/s, ANR)

Bowl capacity: 7.2 oz.
 Sump capacity: 2.8 oz.
 Weight: 2.2 lb (1.0 kg)

† scfm = Standard cubic feet per minute at 90 psig inlet and 5 psig pressure drop.
 DPI = Differential pressure indicator

Ordering information:

07F	3	2	A	C	Blank																		
<table border="1"> <thead> <tr><th>Port Size</th><th></th></tr> </thead> <tbody> <tr><td>1/2 inch</td><td>3</td></tr> <tr><td>3/4 inch</td><td>4</td></tr> </tbody> </table>		Port Size		1/2 inch	3	3/4 inch	4			<table border="1"> <thead> <tr><th>Port Type</th><th></th></tr> </thead> <tbody> <tr><td>Blank</td><td>NPT</td></tr> <tr><td>1*</td><td>BSPP</td></tr> </tbody> </table> <p>* 1/2 inch meets ISO 1179-1 standard.</p>		Port Type		Blank	NPT	1*	BSPP						
Port Size																							
1/2 inch	3																						
3/4 inch	4																						
Port Type																							
Blank	NPT																						
1*	BSPP																						
<table border="1"> <thead> <tr><th>Bowl Options</th><th></th></tr> </thead> <tbody> <tr><td>Poly bowl, metal bowl guard, twist drain</td><td>2</td></tr> <tr><td>Poly bowl, metal bowl guard, auto float drain</td><td>6</td></tr> <tr><td>Metal bowl, twist drain</td><td>3</td></tr> <tr><td>Metal bowl, sight gauge, twist drain</td><td>4</td></tr> <tr><td>Metal bowl, auto float drain</td><td>7</td></tr> <tr><td>Metal bowl, sight gauge, auto float drain</td><td>8</td></tr> </tbody> </table>			Bowl Options		Poly bowl, metal bowl guard, twist drain	2	Poly bowl, metal bowl guard, auto float drain	6	Metal bowl, twist drain	3	Metal bowl, sight gauge, twist drain	4	Metal bowl, auto float drain	7	Metal bowl, sight gauge, auto float drain	8	<table border="1"> <thead> <tr><th>Engineering Level</th><th></th></tr> </thead> <tbody> <tr><td>C</td><td>Current</td></tr> </tbody> </table>			Engineering Level		C	Current
Bowl Options																							
Poly bowl, metal bowl guard, twist drain	2																						
Poly bowl, metal bowl guard, auto float drain	6																						
Metal bowl, twist drain	3																						
Metal bowl, sight gauge, twist drain	4																						
Metal bowl, auto float drain	7																						
Metal bowl, sight gauge, auto float drain	8																						
Engineering Level																							
C	Current																						
			<table border="1"> <thead> <tr><th>Element</th><th></th></tr> </thead> <tbody> <tr><td>A</td><td>40 Micron</td></tr> <tr><td>B</td><td>5 Micron</td></tr> </tbody> </table>			Element		A	40 Micron	B	5 Micron												
Element																							
A	40 Micron																						
B	5 Micron																						

Most popular.



For inventory, lead times, and kit lookup, visit www.pdnplu.com

Prep-Air® II Products
 Filters
 Coalescers
 Regulators
 Filter / Regulators
 Lubricators
 Combinations
 Accessories

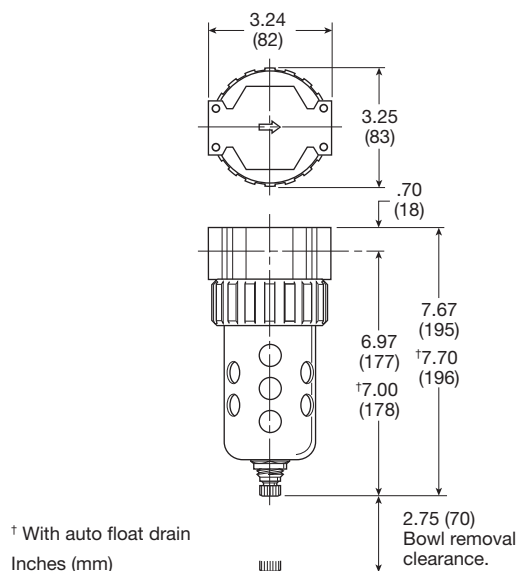
Standard Particulate Filters

Material Specifications

Body	Zinc
Transparent bowl	Polycarbonate
Metal bowl with or without sight gauge	Zinc
Bowl guards	Steel
Collar	Plastic or metal
Deflector, shroud & baffle	Plastic
Twist drain, body & nut	Plastic
Auto float drain – housing, float	Plastic
Auto float drain – seals	Nitrile
Auto float drain – springs, push rod	Stainless steel
Element	Plastic
Adsorber element (optional)	Activated charcoal
Seals	Nitrile
Sight gauge	Polyamide

Repair and Service Kits

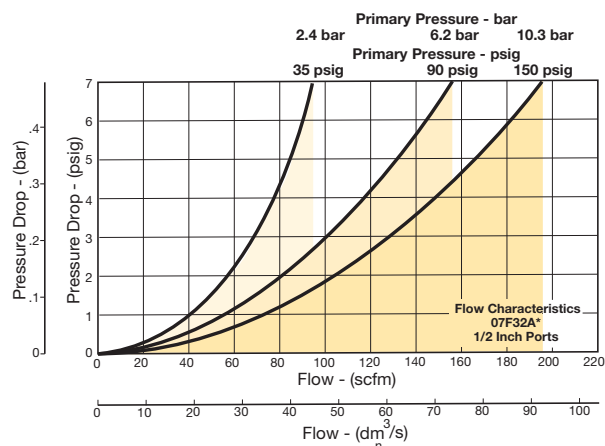
Bowl guard kit	PS805P
Poly bowl / auto float drain kit	PS822P
Poly bowl / twist drain kit	PS832P
Metal bowl / auto float drain kit	PS826P
Metal bowl / twist drain kit	PS834P
Metal bowl / sight gauge / auto drain kit	PS823P
Metal bowl / sight gauge / twist drain kit	PS835P
Auto float drain kit	PS506P
Twist drain kit	PS512P
40 micron element	PS801P
5 micron element	PS802P
Adsorber element	PS831P
Mounting bracket kit	PS843P
Sight gauge kit	PS914P



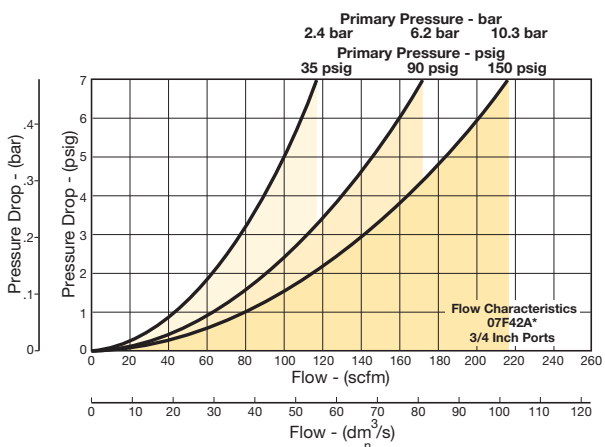
Air Preparation Products Prep-Air® II Series

Flow Charts

07F 1/2" Particulate Filter



07F 3/4" Particulate Filter



Prep-Air® II
Products



Filters

Coalescers

Regulators

Filter/
Regulators

Lubricators

Combinations

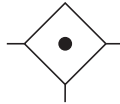
Accessories



For inventory, lead time, and kit lookup, visit www.pdnplu.com

15F Coalescing Filters – Economy

- Removes liquid aerosols and sub-micron particles.
- Liquids gravitate to the bottom of the element and will not re-enter the airstream.
- Oil free air for critical applications, such as air gauging and pneumatic instrumentation and controls.
- Interchangeable twist and automatic pulse drains.
- Differential pressure indicator standard.
- 1/4" & 3/8" ports – NPT



Port size	Description ‡	Part number
1/4"	Poly bowl, metal guard, twist drain	15F12EA
1/4"	Poly bowl, metal guard, auto pulse drain	15F1PEA
3/8"	Poly bowl, metal guard, twist drain	15F22EA
3/8"	Poly bowl, metal guard, auto pulse drain	15F2PEA

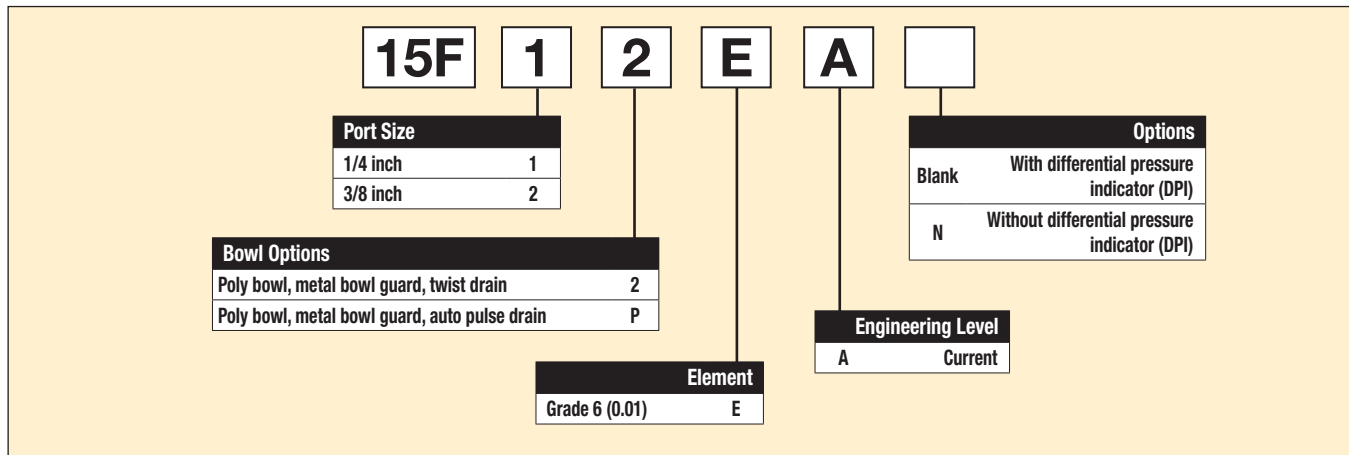
‡ For polycarbonate bowl, see caution in Engineering Section A.

Operating information

Supply pressure (max):	
Plastic bowl	
Without DPI	0 to 150 psig (0 to 10.3 bar)
With DPI	0 to 150 psig (0 to 10.3 bar)
Auto pulse drain	10 to 150 psig (0.7 to 10.3 bar)
Operating temperature:	
Plastic bowl	
Without DPI	32°F to 125°F (0°C to 52°C)
With DPI	32°F to 125°F (0°C to 52°C)
Flow capacity†:	Grade 6
	1/8" 30 scfm (14.2 dm ³ /s, ANR)
	1/4" 30 scfm (14.2 dm ³ /s, ANR)
Bowl capacity:	2.0 oz.
Sump capacity:	0.9 oz.
Weight:	1.2 lb (0.54 kg)

† scfm = Standard cubic feet per minute at 90 psig inlet and 5 psig pressure drop.
DPI = Differential pressure indicator

Ordering information:



Most popular.



For inventory, lead times, and kit lookup, visit www.pdnplu.com

Prep-Air® II Products
 Filters
 Coalescers
 Regulators
 Filter / Regulators
 Lubricators
 Combinations
 Accessories

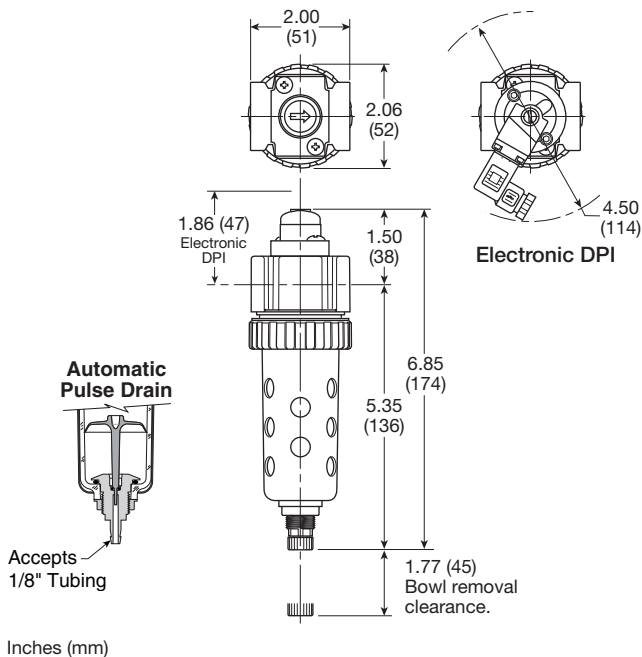
Economy Coalescing Filters

Material Specifications

Body	Zinc
Transparent bowl	Polycarbonate
Bowl guards	Steel
Collar	Plastic
Drain	Plastic
Element	Borosilicate & felt glass fibers
Seals	Nitrile
Sight gauge, DPI	Polyamide (nylon)

Repair and Service Kits

Bowl Guard Kit	PS905P
Poly bowl / automatic pulse drain kit	PS995P
Poly bowl / twist drain kit	PS932P
DPI replacement kit	PS781P
Electronic DPI replacement kit	PS764
Automatic pulse drain kit	PS998P
Twist drain kit	PS512P
Electrical connector: 15mm, 3-pin DIN, 6 ft. cord	PS2932JBP
Filter element kits – Grade 6 (standard)	PS924P
Mounting bracket kit	PS943P
Sight gauge kit	PS914P

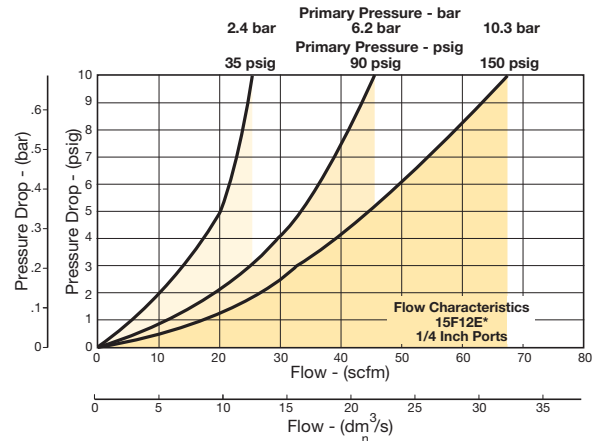


Air Preparation Products Prep-Air® II Series

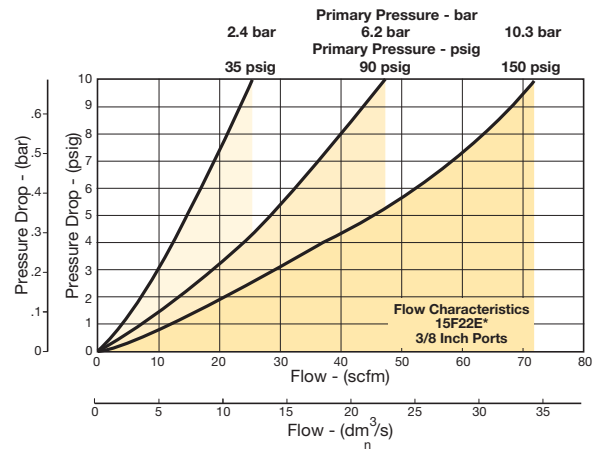
Flow Charts

Grade 6 Element

15F 1/4" Coalescing Filter



15F 3/8" Coalescing Filter



Prep-Air® II
Products



Filters

Coalescers

Regulators

Filter/
Regulators

Lubricators

Combinations

Accessories



For inventory, lead time, and kit lookup, visit www.pdnplu.com

11F Coalescing Filters – Compact

- Removes liquid aerosols and sub-micron particles.
- Liquids gravitate to the bottom of the element and will not re-enter the airstream
- Oil free air for critical applications, such as air gauging and pneumatic instrumentation and controls.
- Interchangeable twist and automatic float drains.
- Differential pressure indicator standard.
- Shown with recommended metal bowl guard.
- 1/4", 3/8", 1/2" ports (NPT, BSPP)



Port size	Description †	Part number
1/4"	Poly bowl, metal guard, twist drain	11F12EC
1/4"	Metal bowl, sight gauge, twist drain	11F14EC
1/4"	Poly bowl, metal guard, auto float drain	11F16EC
1/4"	Metal bowl, sight gauge, auto float drain	11F18EC
3/8"	Poly bowl, metal guard, twist drain	11F22EC
3/8"	Metal bowl, sight gauge, twist drain	11F24EC
3/8"	Poly bowl, metal guard, auto float drain	11F26EC
3/8"	Metal bowl, sight gauge, auto float drain	11F28EC
1/2"	Poly bowl, metal guard, twist drain	11F32EC
1/2"	Metal bowl, sight gauge, twist drain	11F34EC
1/2"	Poly bowl, metal guard, auto float drain	11F36EC
1/2"	Metal bowl, sight gauge, auto float drain	11F38EC

Standard part numbers shown bold, with Grade 6 Elements (for Grade 10 Elements, replace "E" with "H" in the 6th position). For other models refer to ordering information below.

† For polycarbonate bowl, see caution in Engineering Section A.

Operating information

Supply pressure (max):
 Without DPI
 Plastic bowl 0 to 150 psig (0 to 10.3 bar)
 Metal bowl 0 to 250 psig (0 to 17.2 bar)
 With DPI
 Auto float drain 15 to 250 psig (1.0 to 17.2 bar)

Operating pressure drop:
 Normal 2 psig (0.14 bar)
 Max recommended 10 psig (0.7 bar)
 (Element should be replaced)
 Minimum recommended flow: 20% nominal rating of element

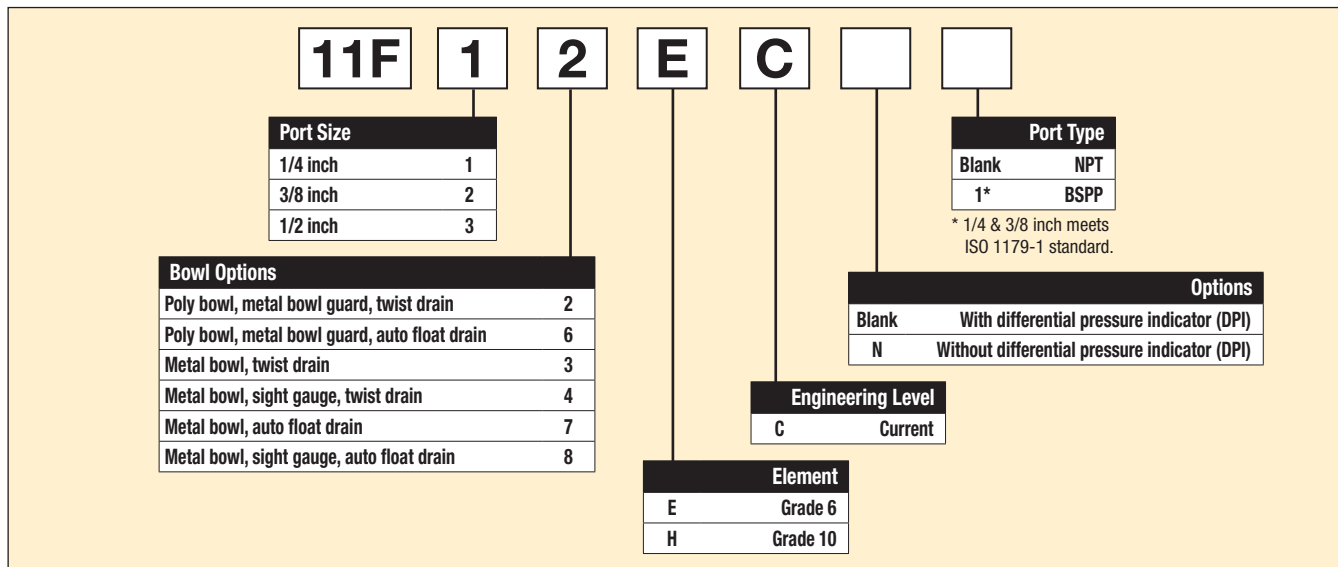
Operating temperature:
 Plastic bowl 32°F to 125°F (0°C to 52°C)
 Metal bowl 32°F to 175°F (0°C to 80°C)
 With DPI 32°F to 125°F (0°C to 52°C)

Flow capacity†: Grade 6 (0.01 micron)
 1/4" 45 scfm (21 dm³/s, ANR)
 3/8" 48 scfm (23 dm³/s, ANR)
 1/2" 65 scfm (31 dm³/s, ANR)
 Grade 10 (1.0 micron)
 1/4" 60 scfm (28.3 dm³/s, ANR)
 3/8" 72 scfm (34 dm³/s, ANR)
 1/2" 95 scfm (45 dm³/s, ANR)

Bowl capacity: 4.4 oz.
 Sump capacity: 1.75 oz.
 Weight: 1.5 lb (0.7 kg)

† scfm = Standard cubic feet per minute at 90 psig inlet and 5 psig pressure drop.
 DPI = Differential pressure indicator

Ordering information:



Most popular.



For inventory, lead times, and kit lookup, visit www.pdnplu.com

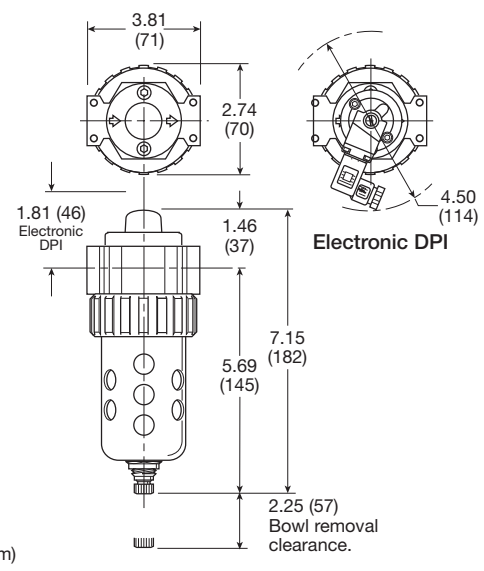
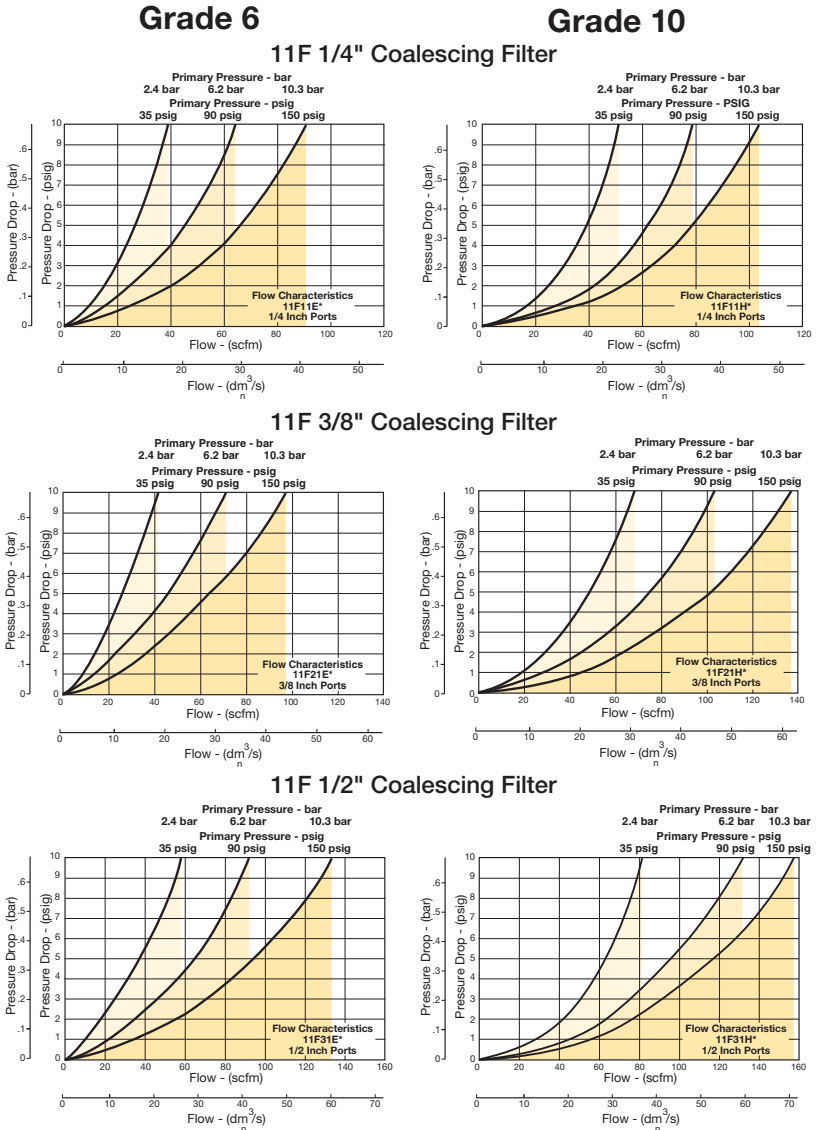
Material Specifications

Body	Zinc
Transparent bowl	Polycarbonate
Metal bowl	Zinc
Bowl guard	Steel
Collar	Plastic
Twist drain, body & nut	Plastic
Push 'N' drain, body	Nitrile
Push 'N' drain, stem	Brass
Automatic float drain, housing, float	Plastic
Automatic float drain, seals	Nitrile
Automatic float drain, springs, push rod	Stainless steel
Element	Borosilicate & felt glass fibers
Seals	Nitrile
Sight gauge	Polyamide

Repair and Service Kits

Bowl guard kit	PS705P
Poly bowl / automatic float drain kit	PS722P
Poly bowl / twist drain kit	PS732P
Metal bowl / automatic float drain kit	PS726P
Metal bowl / twist drain kit	PS734P
Metal bowl / sight gauge / automatic float drain kit	PS723P
Metal bowl / sight gauge / twist drain kit	PS735P
DPI replacement kit	PS781P
Electronic DPI replacement kit	PS764
Automatic float drain kit	PS506P
Semi-auto drain kit	PS511P
Twist drain kit	PS512P
Push 'N' drain kit	PS513P
Electrical connector: 15mm, 3-pin DIN, 6 ft. cord	PS2932JBP
Grade 6 element (standard)	PS724P
Grade 10 element (optional)	PS730P
Mounting bracket kit	PS743P
Sight gauge kit	PS914P

Flow Charts

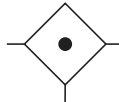


For inventory, lead time, and kit lookup, visit www.pdnplu.com



12F Coalescing Filters – Standard

- Removes liquid aerosols and sub-micron particles.
- Liquids gravitate to the bottom of the element and will not re-enter the airstream.
- Oil free air for critical applications, such as air gauging and pneumatic instrumentation and controls.
- Interchangeable twist and automatic float drains.
- Differential pressure indicator standard.
- Shown with recommended metal bowl guard.
- 1/2", 3/4" ports (NPT, BSPP)



Port size	Description †	Part number
1/2"	Poly bowl, metal guard, twist drain	12F32EC
1/2"	Metal bowl, sight gauge, twist drain	12F34EC
1/2"	Poly bowl, metal guard, auto float drain	12F36EC
1/2"	Metal bowl, sight gauge, auto float drain	12F38EC
3/4"	Poly bowl, metal guard, twist drain	12F42EC
3/4"	Metal bowl, sight gauge, twist drain	12F44EC
3/4"	Poly bowl, metal guard, auto float drain	12F46EC
3/4"	Metal bowl, sight gauge, auto float drain	12F48EC

Standard part numbers shown bold, with Grade 6 Elements (for Grade 10 Elements, replace "E" with "H" in the 6th position). For other models refer to ordering information below.

† For polycarbonate bowl, see caution in Engineering Section A.

Operating information

Supply pressure (max):	
Without DPI	
Plastic bowl	0 to 150 psig (0 to 10.3 bar)
Metal bowl	0 to 250 psig (0 to 17.2 bar)
With DPI	
Auto float drain	0 to 150 psig (0 to 10.3 bar)
	15 to 250 psig (1.0 to 17.2 bar)
Operating pressure drop:	
Normal	
	2 psig (0.14 bar)
Max recommended (Element should be replaced)	
	10 psig (0.7 bar)
Minimum recommended flow: 20% nominal rating of element	
Operating temperature:	
Plastic bowl	
	32°F to 125°F (0°C to 52°C)
Metal bowl	
	32°F to 175°F (0°C to 80°C)
With DPI	
	32°F to 125°F (0°C to 52°C)
Flow capacity†:	Grade 6 1/2" 75 scfm (35.4 dm ³ /s, ANR)
	3/4" 80 scfm (37.7 dm ³ /s, ANR)
	Grade 10 1/2" 125 scfm (59 dm ³ /s, ANR)
	3/4" 160 scfm (75.5 dm ³ /s, ANR)
Bowl capacity:	7.2 oz.
Sump capacity:	2.8 oz.
Weight:	2.4 lb (1.1 kg)
† scfm = Standard cubic feet per minute at 90 psig inlet and 5 psig pressure drop.	
DPI = Differential pressure indicator	

Ordering information:

12F	3	2	E	C		
Port Size					Port Type	
1/2 inch	3				Blank	NPT
3/4 inch	4				1*	BSPP
					* 1/2 inch meets ISO 1179-1 standard.	
Bowl Options					Options	
Poly bowl, metal bowl guard, twist drain		2			Blank	With differential pressure indicator (DPI)
Poly bowl, metal bowl guard, auto float drain		6			N	Without differential pressure indicator (DPI)
Metal bowl, twist drain		3				
Metal bowl, sight gauge, twist drain		4				
Metal bowl, auto float drain		7				
Metal bowl, sight gauge, auto float drain		8				
				Engineering Level		
				C	Current	
			Element			
			E	Grade 6		
			H	Grade 10		

Most popular.



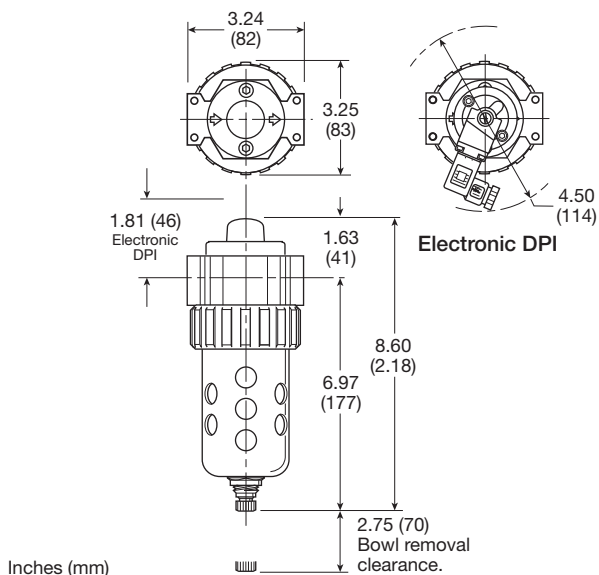
For inventory, lead times, and kit lookup, visit www.pdnplu.com

Material Specifications

Body	Zinc
Transparent bowl	Polycarbonate
Metal bowl with or without sight gauge	Zinc
Bowl guard	Steel
Collar	Plastic or metal
Twist drain, body & nut	Plastic
Push 'N' drain, body	Nitrile
Push 'N' drain, stem	Brass
Automatic float drain, housing, float	Plastic
Automatic float drain, seals	Nitrile
Automatic float drain, springs, push rod	Stainless steel
Element	Borosilicate & felt glass fibers
Seals	Nitrile
Sight gauge	Polyamide

Repair and Service Kits

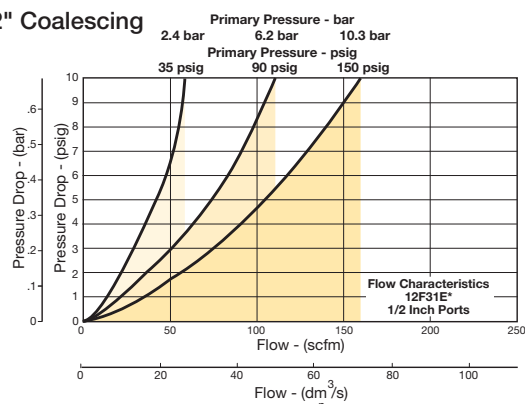
Bowl guard kit	PS805P
Poly bowl / automatic float drain kit	PS822P
Poly bowl / twist drain kit	PS832P
Metal bowl / automatic float drain kit	PS826P
Metal bowl / twist drain kit	PS834P
Metal bowl / sight gauge / automatic float drain kit	PS823P
Metal bowl / sight gauge / twist drain kit	PS835P
DPI replacement kit	PS781P
Electronic DPI replacement kit	PS764
Automatic float drain kit	PS506P
Semi-auto drain kit	PS511P
Twist drain kit	PS512P
Push 'N' drain kit	PS513P
Electrical connector: 15mm, 3-pin DIN, 6 ft. cord	PS2932JBP
Grade 6 element (standard)	PS824P
Grade 10 element (optional)	PS830P
Mounting bracket kit	PS843P
Sight gauge kit	PS914P



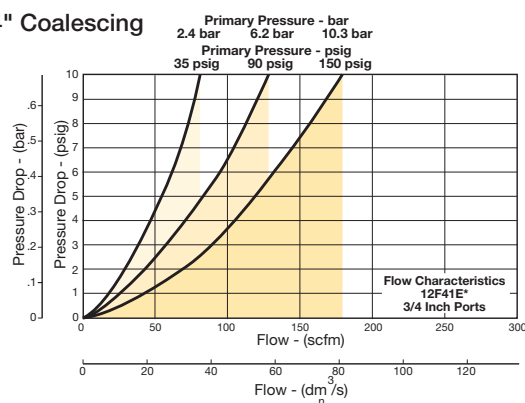
Flow Charts

Grade 6 Element

12F 1/2" Coalescing Filter

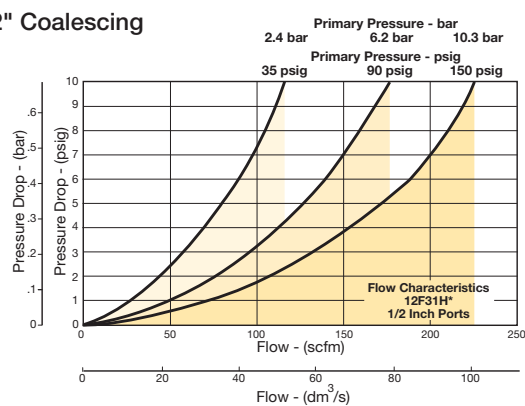


12F 3/4" Coalescing Filter

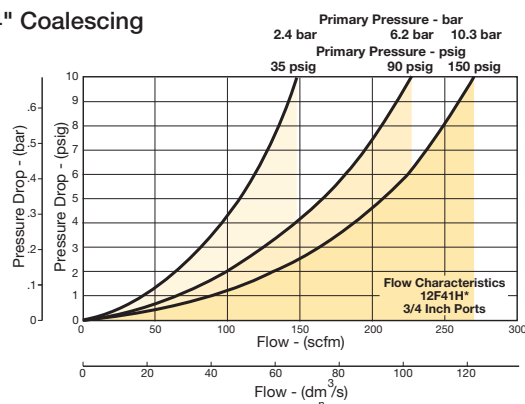


Grade 10 Element

12F 1/2" Coalescing Filter



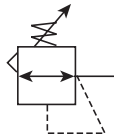
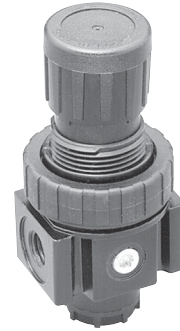
12F 3/4" Coalescing Filter



For inventory, lead time, and kit lookup, visit www.pdnplu.com

05R Regulators – Economy

- Secondary aspiration plus balanced poppet provides quick response and accurate pressure regulation.
- Rolling diaphragm for extended life.
- Removable non-rising knob for panel mounting and tamper resistance.
- Easily serviced.
- Reverse flow.
- 1/4", 3/8" ports (NPT)



Operating information

Supply pressure (max):	0 to 300 psig (0 to 20.7 bar)	
	For secondary pressure ranges see charts next page.	
Operating temperature:	32°F to 175°F (0°C to 80°C)	
Low temperature	-4°F to 125°F (-20°C to 52°C)	
Flow capacity†:		
High flow	1/4"	30 scfm (14.2 dm³/s, ANR)
	3/8"	40 scfm (18.9 dm³/s, ANR)
Gauge ports (2):	1/4 inch	
Weight:	1.1 lb (0.49 kg)	

† scfm = Standard cubic feet per minute at 100 psig inlet, 90 psig no flow secondary setting and 10 psig pressure drop.

Port size	Description	Part number
1/4"	Without gauge	05R113AD
1/4"	With 160 psi gauge	05R118AD
3/8"	Without gauge	05R213AD
3/8"	With 160 psi gauge	05R218AD

NOTE: 1.53 Dia. (39 mm) hole required for panel mounting.

Ordering information:

05R
1
13
A
D

<table border="1" style="width: 100%; border-collapse: collapse;"> <thead> <tr> <th colspan="2">Port Size</th> </tr> </thead> <tbody> <tr> <td style="width: 50%;">1/4 inch</td> <td style="text-align: center;">1</td> </tr> <tr> <td>3/8 inch</td> <td style="text-align: center;">2</td> </tr> </tbody> </table>	Port Size		1/4 inch	1	3/8 inch	2	<table border="1" style="width: 100%; border-collapse: collapse;"> <thead> <tr> <th colspan="2">Pressure Range</th> </tr> </thead> <tbody> <tr> <td colspan="2">Without gauge</td> </tr> <tr> <td>60 psig</td> <td style="text-align: center;">11</td> </tr> <tr> <td>125 psig</td> <td style="text-align: center;">13</td> </tr> <tr> <td>200 psig</td> <td style="text-align: center;">14</td> </tr> <tr> <td colspan="2">With gauge*</td> </tr> <tr> <td>60 psig</td> <td style="text-align: center;">16</td> </tr> <tr> <td>125 psig</td> <td style="text-align: center;">18</td> </tr> <tr> <td>200 psig</td> <td style="text-align: center;">19</td> </tr> </tbody> </table> <p style="font-size: 8pt; margin-top: 5px;">* Includes 1-1/2" dial face gauge.</p>	Pressure Range		Without gauge		60 psig	11	125 psig	13	200 psig	14	With gauge*		60 psig	16	125 psig	18	200 psig	19	<table border="1" style="width: 100%; border-collapse: collapse;"> <thead> <tr> <th colspan="2">Engineering Level</th> </tr> </thead> <tbody> <tr> <td style="width: 50%;">D</td> <td style="text-align: center;">Current</td> </tr> </tbody> </table>	Engineering Level		D	Current	<table border="1" style="width: 100%; border-collapse: collapse;"> <thead> <tr> <th colspan="2">Relief</th> </tr> </thead> <tbody> <tr> <td style="width: 50%;">A</td> <td style="text-align: center;">Relieving</td> </tr> </tbody> </table>	Relief		A	Relieving
Port Size																																			
1/4 inch	1																																		
3/8 inch	2																																		
Pressure Range																																			
Without gauge																																			
60 psig	11																																		
125 psig	13																																		
200 psig	14																																		
With gauge*																																			
60 psig	16																																		
125 psig	18																																		
200 psig	19																																		
Engineering Level																																			
D	Current																																		
Relief																																			
A	Relieving																																		

Most popular.



For inventory, lead times, and kit lookup, visit www.pdnplu.com

Prep-Air® II Products
 Filters
 Coalescers
 Regulators
 Filter / Regulators
 Lubricators
 Combinations
 Accessories

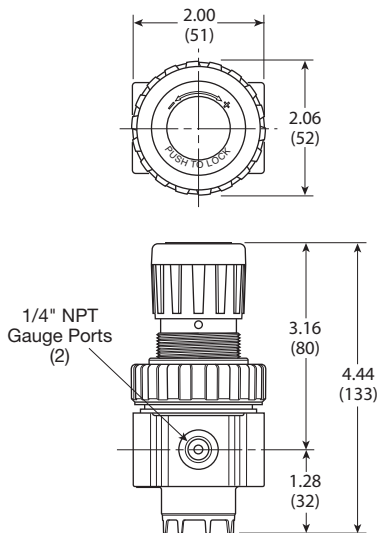
Economy Regulators

Material Specifications

Adjusting stem	Brass
Bonnet	Plastic
Body	Zinc
Collar, Knob	Plastic
Diaphragm	Nitrile
Poppet & cap	Plastic
Seals	Nitrile
Springs – poppet & control	Steel

Repair and Service Kits

Bonnet assembly kit	PS915P
Control knob	P04420
1-1/2" dial face 30 psig (0 to 2.1 bar), gauge	K4515N14030
1-1/2" dial face 60 psig (0 to 4.1 bar), gauge	K4515N14060
1-1/2" dial face 160 psig (0 to 11.0 bar), gauge	K4515N14160
1-1/2" dial face 300 psig (0 to 20.7 bar), gauge	K4515N14300
2" dial face 60 psig (0 to 4.1 bar), gauge	K4520N14060
2" dial face 160 psig (0 to 11.0 bar), gauge	K4520N14160
2" dial face 300 psig (0 to 20.7 bar), gauge	K4520N14300
Mounting bracket kit	PS963P
Panel mount nut – metal	PS964P
1-30 psig spring	P04427
1-60 psig spring	P04426
2-125 psig spring	P04425
2-200 psig spring	P02934
Relieving service kit	PS908P



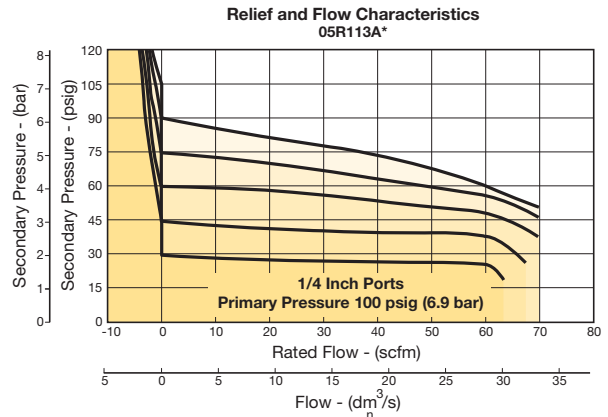
Inches (mm)

Air Preparation Products

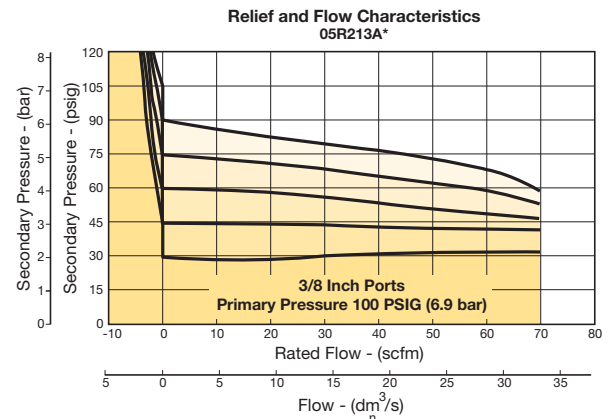
Prep-Air® II Series

Flow Charts

05R 1/4" Regulator



05R 3/8" Regulator



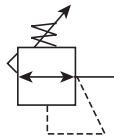
⚠ WARNING

**Product rupture can cause serious injury.
Do not connect regulator to bottled gas.
Do not exceed Maximum primary pressure rating.**

CAUTION:
REGULATOR PRESSURE ADJUSTMENT – The working range of knob adjustment is designed to permit outlet pressures within their full range. Pressure adjustment beyond this range is also possible because the knob is not a limiting device. This is a common characteristic of most industrial regulators, and limiting devices may be obtained only by special design. For best performance, regulated pressure should always be set by increasing the pressure up to the desired setting.

06R Regulators – Compact

- Secondary aspiration plus balanced poppet provides quick response and accurate pressure regulation
- Rolling diaphragm for extended life
- Two high flow 1/4" gauge ports can be used as additional outlets
- Easily serviced
- Removable non-rising knob for panel mounting and tamper resistance
- 1/4", 3/8", 1/2" ports (NPT, BSPP)



Port size	Description	Part number
1/4"	Without gauge	06R113AC
1/4"	With 160 psi gauge	06R118AC
3/8"	Without gauge	06R213AC
3/8"	With 160 psi gauge	06R218AC
1/2"	Without gauge	06R313AC
1/2"	With 160 psi gauge	06R318AC

NOTE: 2.0 Dia. (51 mm) hole required for panel mounting.

Operating information

Supply pressure (max):	250 psig (17.2 bar)
Secondary pressure ranges:	
Standard	2 to 125 psig (0 to 8.6 bar)
Low	1 to 60 psig (0 to 4.1 bar)
High	5 to 250 psig (0.4 to 17.2 bar)
Operating temperature:	32°F to 175°F (0°C to 80°C)
Low temperature	-4°F to 125°F (-20°C to 52°C)
Flow capacity†:	
High flow	1/4" 53 scfm (25 dm³/s, ANR)
	3/8" 60 scfm (28.3 dm³/s, ANR)
	1/2" 75 scfm (35.4 dm³/s, ANR)
Gauge ports (2):	1/4 inch (can be used as additional full flow 1/4 inch outlet ports)
Weight:	1.6 lb (0.7 kg)

† scfm – Standard cubic feet per minute at 100 psig inlet, 90 psig no flow secondary setting and 10 psig pressure drop.

Ordering information:

06R	1	13	A	C																																																					
<table border="1"> <thead> <tr><th colspan="2">Port Size</th></tr> </thead> <tbody> <tr><td>1/4 inch</td><td>1</td></tr> <tr><td>3/8 inch</td><td>2</td></tr> <tr><td>1/2 inch</td><td>3</td></tr> </tbody> </table>		Port Size		1/4 inch	1	3/8 inch	2	1/2 inch	3	<table border="1"> <thead> <tr><th colspan="2">Pressure Range</th></tr> </thead> <tbody> <tr><td colspan="2">Without gauge</td></tr> <tr><td>60 psig</td><td>11</td></tr> <tr><td>125 psig</td><td>13</td></tr> <tr><td>250 psig</td><td>15</td></tr> <tr><td colspan="2">With gauge*</td></tr> <tr><td>60 psig</td><td>16</td></tr> <tr><td>125 psig</td><td>18</td></tr> <tr><td>250 psig</td><td>21</td></tr> </tbody> </table> <p>* Includes 1-1/2" dial face gauge.</p>		Pressure Range		Without gauge		60 psig	11	125 psig	13	250 psig	15	With gauge*		60 psig	16	125 psig	18	250 psig	21	<table border="1"> <thead> <tr><th colspan="2">Relief</th></tr> </thead> <tbody> <tr><td>Relieving</td><td>A</td></tr> <tr><td>Non-relieving</td><td>L</td></tr> </tbody> </table>		Relief		Relieving	A	Non-relieving	L	<table border="1"> <thead> <tr><th colspan="2">Preset / Pressure Limited</th></tr> </thead> <tbody> <tr><td>Blank</td><td>None</td></tr> <tr><td>XXX*</td><td>Preset pressure</td></tr> </tbody> </table> <p>* Available preset / pressure limited range, 10 to 90 psig in 5 psig increments. For higher pressures, contact factory. (Example: 065 = 65 psig)</p>		Preset / Pressure Limited		Blank	None	XXX*	Preset pressure	<table border="1"> <thead> <tr><th colspan="2">Options</th></tr> </thead> <tbody> <tr><td>Blank</td><td>No option</td></tr> <tr><td>L†</td><td>Preset non-adjustable</td></tr> <tr><td>P†</td><td>Preset adjustable</td></tr> <tr><td>R</td><td>Reverse Flow</td></tr> </tbody> </table> <p>† Inlet Pressure is 100 psig. For other pressures, contact factory.</p>		Options		Blank	No option	L†	Preset non-adjustable	P†	Preset adjustable	R	Reverse Flow
Port Size																																																									
1/4 inch	1																																																								
3/8 inch	2																																																								
1/2 inch	3																																																								
Pressure Range																																																									
Without gauge																																																									
60 psig	11																																																								
125 psig	13																																																								
250 psig	15																																																								
With gauge*																																																									
60 psig	16																																																								
125 psig	18																																																								
250 psig	21																																																								
Relief																																																									
Relieving	A																																																								
Non-relieving	L																																																								
Preset / Pressure Limited																																																									
Blank	None																																																								
XXX*	Preset pressure																																																								
Options																																																									
Blank	No option																																																								
L†	Preset non-adjustable																																																								
P†	Preset adjustable																																																								
R	Reverse Flow																																																								
<p>Spring Type by Preset / Limited Pressure:</p> <p>For Preset / Limited Pressure 26 to 50 use 60 psi spring</p> <p>For Preset / Limited Pressure 51 to 90 use 125 psi spring</p>				<table border="1"> <thead> <tr><th colspan="2">Port Type</th></tr> </thead> <tbody> <tr><td>Blank</td><td>NPT</td></tr> <tr><td>1*</td><td>BSPP</td></tr> </tbody> </table> <p>* 1/4 & 3/8 inch meet ISO 1179-1 Standard.</p>		Port Type		Blank	NPT	1*	BSPP	<table border="1"> <thead> <tr><th colspan="2">Engineering Level</th></tr> </thead> <tbody> <tr><td>Current</td><td>C</td></tr> </tbody> </table>		Engineering Level		Current	C																																								
Port Type																																																									
Blank	NPT																																																								
1*	BSPP																																																								
Engineering Level																																																									
Current	C																																																								

Most popular.



For inventory, lead times, and kit lookup, visit www.pdnplu.com

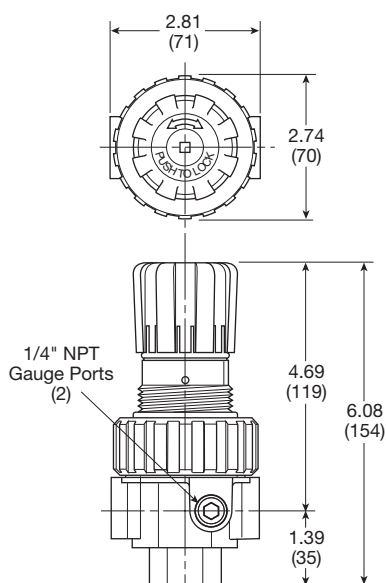
Compact Regulators

Material Specifications

Adjusting stem	Steel
Body	Zinc
Bonnet, piston stem, valve poppet & cap	Plastic
Collar, knob	Plastic
Diaphragm	Nitrile
Seals	Nitrile
Spring, poppet	Stainless
Spring, control	Steel

Repair and Service Kits

Bonnet assembly kit	PS715P
Control knob	P04069B
2" dial face 60 psig (0 to 4.1 bar), gauge	K4520N14060
2" dial face 160 psig (0 to 11.0 bar), gauge	K4520N14160
2" dial face 300 psig (0 to 20.7 bar), gauge	K4520N14300
1-3/4" digital round face 160 psig (0 to 11.0 bar) gauge	K4517N14160D
Mounting bracket kit (includes panel mount nut)	PS707P
Panel mount nut, plastic	P04082
Panel mount nut, metal	P04079B
Reverse flow service conversion kit, relieving	PS708RP
Relieving (includes poppet)	PS708P
Non-relieving (includes poppet)	PS709P
1-30 psig spring	P01698
1-60 psig spring	P04062
2-125 psig spring	P04063
5-250 psig spring	P04064
Tamperproof kit	PS737P



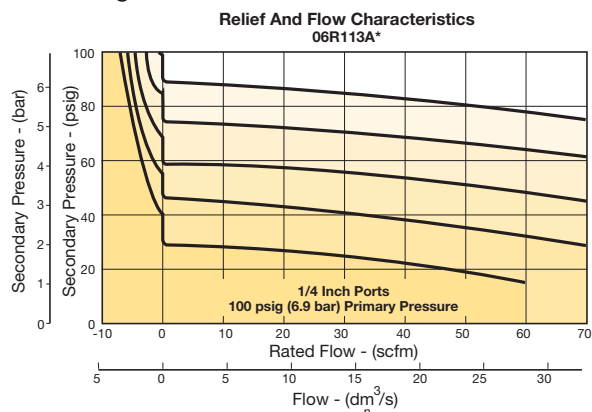
Inches (mm)

Air Preparation Products

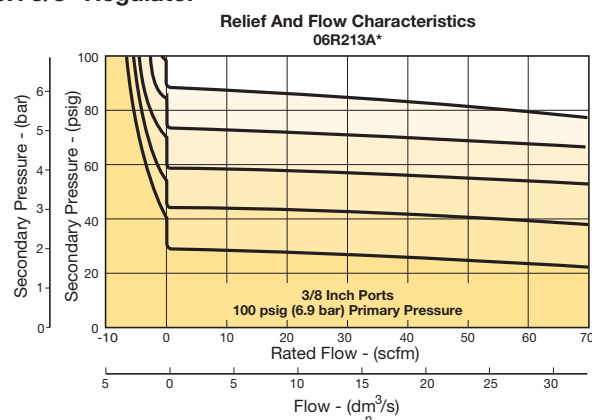
Prep-Air® II Series

Flow Charts

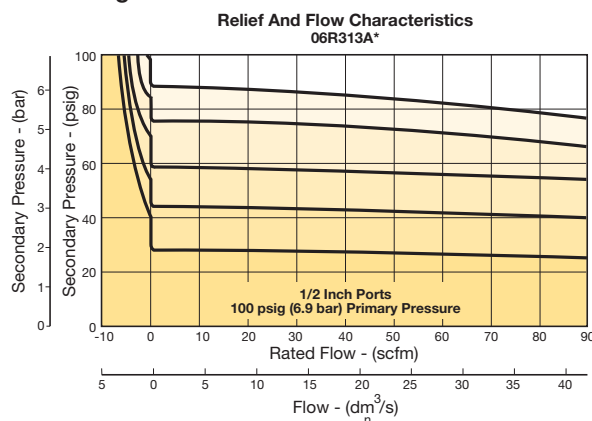
06R 1/4" Regulator



06R 3/8" Regulator



06R 1/2" Regulator



WARNING

Product rupture can cause serious injury.
Do not connect regulator to bottled gas.
Do not exceed Maximum primary pressure rating.

CAUTION:

REGULATOR PRESSURE ADJUSTMENT – The working range of knob adjustment is designed to permit outlet pressures within their full range. Pressure adjustment beyond this range is also possible because the knob is not a limiting device. This is a common characteristic of most industrial regulators, and limiting devices may be obtained only by special design. For best performance, regulated pressure should always be set by increasing the pressure up to the desired setting.

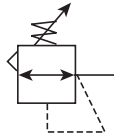


For inventory, lead time, and kit lookup, visit www.pdnplu.com



07R Regulators – Standard

- Secondary aspiration plus balanced poppet provides quick response and accurate pressure regulation
- Rolling diaphragm for extended life
- Two high flow 1/4" gauge ports can be used as additional outlets
- Easily serviced
- Removable non-rising knob for panel mounting and tamper resistance
- 1/2", 3/4" ports (NPT, BSPP)



Port size	Description	Part number
1/2"	Without gauge	07R313AC
1/2"	With 160 psi gauge	07R318AC
3/4"	Without gauge	07R413AC
3/4"	With 160 psi gauge	07R418AC

NOTE: 2.0 Dia. (51 mm) hole required for panel mounting.

Operating information

Supply pressure (max):	250 psig (17.2 bar)	
Secondary pressure ranges:		
Standard	2 to 125 psig (0 to 8.6 bar)	
Low	1 to 60 psig (0 to 4.1 bar)	
High	5 to 250 psig (0.4 to 17.2 bar)	
Operating temperature:	32°F to 175°F (0°C to 80°C)	
Low temperature	-4°F to 125°F (-20°C to 52°C)	
Flow capacity†:		
High flow	1/2"	90 scfm (42.5 dm ³ /s, ANR)
	3/4"	90 scfm (42.5 dm ³ /s, ANR)
Gauge ports (2):	1/4 inch (can be used as additional full flow 1/4 inch outlet ports)	
Weight:	2.5 lb (1.1 kg)	

† scfm = Standard cubic feet per minute at 100 psig inlet, 90 psig no flow secondary setting and 10 psig pressure drop.

Ordering information:

07R	3	13	A	C																																								
<table border="1"> <thead> <tr><th>Port Size</th></tr> </thead> <tbody> <tr><td>1/2 inch</td><td>3</td></tr> <tr><td>3/4 inch</td><td>4</td></tr> </tbody> </table>		Port Size	1/2 inch	3	3/4 inch	4	<table border="1"> <thead> <tr><th>Pressure Range</th></tr> </thead> <tbody> <tr><td>Without gauge</td><td></td></tr> <tr><td>60 psig</td><td>11</td></tr> <tr><td>125 psig</td><td>13</td></tr> <tr><td>250 psig</td><td>15</td></tr> <tr><td>With gauge*</td><td></td></tr> <tr><td>60 psig</td><td>16</td></tr> <tr><td>125 psig</td><td>18</td></tr> <tr><td>250 psig</td><td>21</td></tr> </tbody> </table>		Pressure Range	Without gauge		60 psig	11	125 psig	13	250 psig	15	With gauge*		60 psig	16	125 psig	18	250 psig	21	<table border="1"> <thead> <tr><th>Relief</th></tr> </thead> <tbody> <tr><td>Relieving</td><td>A</td></tr> <tr><td>Non-relieving</td><td>L</td></tr> </tbody> </table>		Relief	Relieving	A	Non-relieving	L	<table border="1"> <thead> <tr><th>Engineering Level</th></tr> </thead> <tbody> <tr><td>Current</td><td>C</td></tr> </tbody> </table>		Engineering Level	Current	C	<table border="1"> <thead> <tr><th>Preset / Pressure Limited</th></tr> </thead> <tbody> <tr><td>Blank</td><td>None</td></tr> <tr><td>XXX*</td><td>Preset pressure</td></tr> </tbody> </table> <p>* Available preset / pressure limited range, 10 to 90 psig in 5 psig increments. For higher pressures, contact factory. (Example: 065 = 65 psig)</p>		Preset / Pressure Limited	Blank	None	XXX*	Preset pressure
Port Size																																												
1/2 inch	3																																											
3/4 inch	4																																											
Pressure Range																																												
Without gauge																																												
60 psig	11																																											
125 psig	13																																											
250 psig	15																																											
With gauge*																																												
60 psig	16																																											
125 psig	18																																											
250 psig	21																																											
Relief																																												
Relieving	A																																											
Non-relieving	L																																											
Engineering Level																																												
Current	C																																											
Preset / Pressure Limited																																												
Blank	None																																											
XXX*	Preset pressure																																											
		<table border="1"> <thead> <tr><th>Options</th></tr> </thead> <tbody> <tr><td>Blank</td><td>No option</td></tr> <tr><td>L †</td><td>Preset non-adjustable</td></tr> <tr><td>P †</td><td>Preset Adjustable</td></tr> <tr><td>R</td><td>Reverse Flow</td></tr> </tbody> </table> <p>† Inlet Pressure is 100 psig. For other pressures, contact factory.</p>		Options	Blank	No option	L †	Preset non-adjustable	P †	Preset Adjustable	R	Reverse Flow	<table border="1"> <thead> <tr><th>Port Type</th></tr> </thead> <tbody> <tr><td>Blank</td><td>NPT</td></tr> <tr><td>1*</td><td>BSPP</td></tr> </tbody> </table> <p>* 1/4 & 3/8 inch meet ISO 1179-1 Standard.</p>		Port Type	Blank	NPT	1*	BSPP																									
Options																																												
Blank	No option																																											
L †	Preset non-adjustable																																											
P †	Preset Adjustable																																											
R	Reverse Flow																																											
Port Type																																												
Blank	NPT																																											
1*	BSPP																																											
<p>Spring Type by Preset / Limited Pressure: For Preset / Limited Pressure 26 to 50 use 60 psi spring For Preset / Limited Pressure 51 to 90 use 125 psi spring</p>																																												

Most popular.

Prep-Air® II Products



Filters

Coalescers

Regulators

Filter / Regulators

Lubricators

Combinations

Accessories



For inventory, lead times, and kit lookup, visit www.pdnplu.com

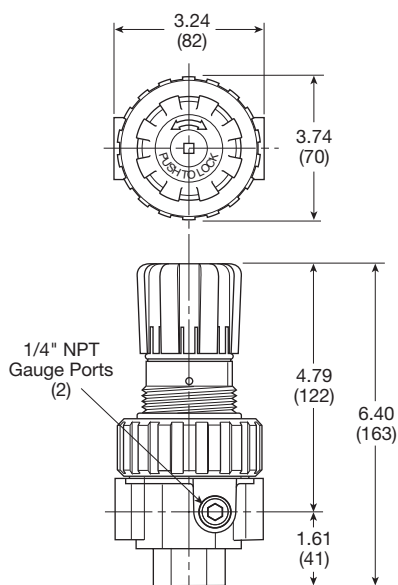
Standard Regulators

Material Specifications

Adjusting stem	Steel
Body	Zinc
Bonnet, piston stem, valve poppet & cap	Plastic
Collar, knob	Plastic
Diaphragm	Nitrile
Seals	Nitrile
Spring, poppet	Stainless
Spring, control	Steel

Repair and Service Kits

Bonnet assembly kit	PS715P
Control knob	P04069B
2" dial face 60 psig (0 to 4.1 bar), gauge	K4520N14060
2" dial face 160 psig (0 to 11.0 bar), gauge	K4520N14160
2" dial face 300 psig (0 to 20.7 bar), gauge	K4520N14300
1-3/4" digital round face 160 psig (0 to 11.0 bar), gauge	K4517N14160D
Mounting bracket kit (includes panel mount nut)	PS807P
Panel mount nut, plastic	P04082
Panel Mount nut, metal	P04079B
Reverse flow service conversion kit, relieving	PS808RP
Relieving (includes poppet)	PS808P
Non-relieving (includes poppet)	PS809P
1-30 psig spring	P01698
1-60 psig spring	P04062
2-125 psig spring	P04063
5-250 psig spring	P04064
Tamperproof kit	PS737P

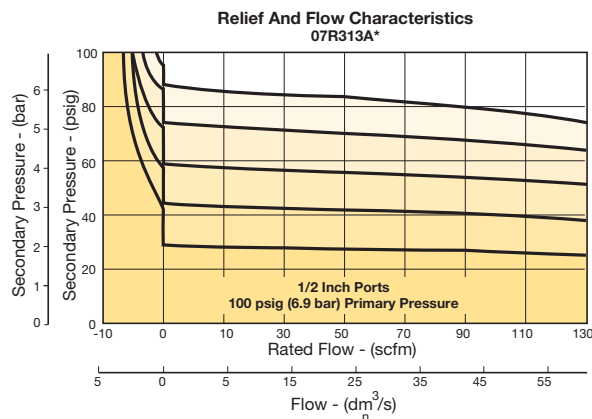


Inches (mm)

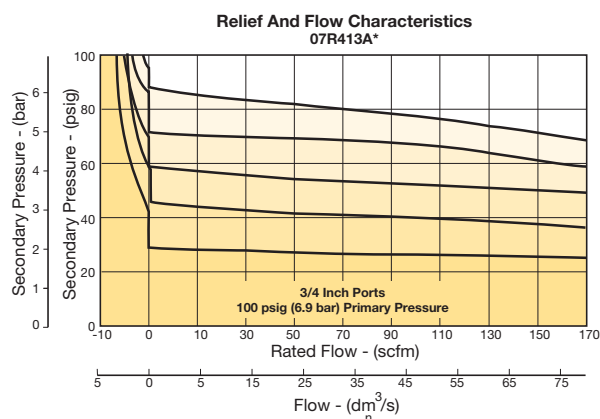
Air Preparation Products Prep-Air® II Series

Flow Charts

07R 1/2" Regulator



07R 3/4" Regulator



⚠ WARNING

**Product rupture can cause serious injury.
Do not connect regulator to bottled gas.
Do not exceed Maximum primary pressure rating.**

CAUTION:

REGULATOR PRESSURE ADJUSTMENT – The working range of knob adjustment is designed to permit outlet pressures within their full range. Pressure adjustment beyond this range is also possible because the knob is not a limiting device. This is a common characteristic of most industrial regulators, and limiting devices may be obtained only by special design. For best performance, regulated pressure should always be set by increasing the pressure up to the desired setting.



For inventory, lead time, and kit lookup, visit www.pdnplu.com

Prep-Air® II Products

Filters

Coalescers

Regulators

Filter / Regulators

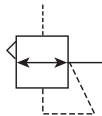
Lubricators

Combinations

Accessories

11R Pilot Controlled Regulator – Compact

- Balanced poppet provides quick response and accurate pressure regulation
- Pilot controlled regulators can be mounted “out of reach” with pilot regulator installed in a convenient location
- Solid control piston for extended life
- Two full flow 1/4" gauge ports can be used as additional outlets
- Pilot port 1/4 Inch
- 1/4", 3/8", 1/2" ports (NPT, BSPP)



Port size	Description	Part number
1/4"	Without gauge	11R115PC
1/4"	With 160 psi gauge	11R121PC
3/8"	Without gauge	11R215PC
3/8"	With 160 psi gauge	11R221PC
1/2"	Without gauge	11R315PC
1/2"	With 160 psi gauge	11R321PC

NOTE: 2.0 Dia. (51 mm) hole required for panel mounting.

Operating information

Supply pressure (max):	0 to 250 psig (0 to 17.2 bar)	
Operating temperature:	32°F to 175°F (0°C to 80°C)	
Flow capacity†:		
High flow	1/4"	85 scfm (40 dm ³ /s, ANR)
	3/8"	95 scfm (44.8 dm ³ /s, ANR)
	1/2"	95 scfm (44.8 dm ³ /s, ANR)
Gauge ports (2):	1/4 inch (can be used as additional full flow 1/4 inch outlet ports)	
Weight:	1.3 lb (0.53 kg)	

† scfm = Standard cubic feet per minute at 100 psig inlet, 90 psig no flow secondary setting and 10 psig pressure drop.

Ordering information:

11R	2	15	P	C	□																		
<table border="1"> <thead> <tr><th colspan="2">Port Threads</th></tr> </thead> <tbody> <tr><td>1/4 inch</td><td>1</td></tr> <tr><td>3/8 inch</td><td>2</td></tr> <tr><td>1/2 inch</td><td>3</td></tr> </tbody> </table>			Port Threads		1/4 inch	1	3/8 inch	2	1/2 inch	3	<table border="1"> <thead> <tr><th colspan="2">Port Type</th></tr> </thead> <tbody> <tr><td>Blank</td><td>NPT</td></tr> <tr><td>1</td><td>BSPP</td></tr> </tbody> </table>			Port Type		Blank	NPT	1	BSPP				
Port Threads																							
1/4 inch	1																						
3/8 inch	2																						
1/2 inch	3																						
Port Type																							
Blank	NPT																						
1	BSPP																						
<table border="1"> <thead> <tr><th colspan="2">Relief / Gauge Options</th></tr> </thead> <tbody> <tr><td>Without gauge</td><td></td></tr> <tr><td>Non-relieving piston</td><td>14</td></tr> <tr><td>Relieving piston</td><td>15</td></tr> <tr><td>With gauge *</td><td></td></tr> <tr><td>Non-relieving piston</td><td>19</td></tr> <tr><td>Relieving piston</td><td>21</td></tr> </tbody> </table>			Relief / Gauge Options		Without gauge		Non-relieving piston	14	Relieving piston	15	With gauge *		Non-relieving piston	19	Relieving piston	21	<table border="1"> <thead> <tr><th colspan="2">Engineering Level</th></tr> </thead> <tbody> <tr><td>C</td><td>Current</td></tr> </tbody> </table>			Engineering Level		C	Current
Relief / Gauge Options																							
Without gauge																							
Non-relieving piston	14																						
Relieving piston	15																						
With gauge *																							
Non-relieving piston	19																						
Relieving piston	21																						
Engineering Level																							
C	Current																						
			<table border="1"> <thead> <tr><th colspan="2">Adjustment</th></tr> </thead> <tbody> <tr><td>P</td><td>Pilot operated</td></tr> </tbody> </table>			Adjustment		P	Pilot operated														
Adjustment																							
P	Pilot operated																						

* Includes 2" dial face gauge 0 to 300 psig.

Most popular.



For inventory, lead times, and kit lookup, visit www.pdnplu.com

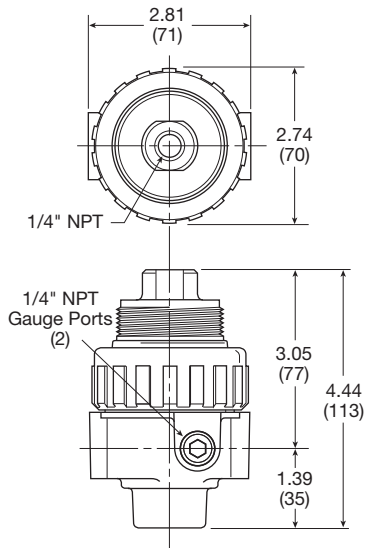
Compact Pilot Controlled Regulators

Material Specifications

Body & pilot cap	Zinc
Piston, valve poppet, & collar	Plastic
Seals	Nitrile
Springs	Steel

Repair and Service Kits

Seat Insert kit	PS713P
2" dial face 60 psig (0 to 4.1 bar), gauge	K4520N14060
2" dial face 160 psig (0 to 11.0 bar), gauge	K4520N14160
2" dial face 300 psig (0 to 20.7 bar), gauge	K4520N14300
1-3/4" digital round face 160 psig (0 to 11.0 bar), gauge	K4517N14160D
Mounting bracket kit (includes panel mount nut)	PS707P
Panel mount nut, plastic	P04082
Panel mount nut, metal	P04079B
Pilot conversion kit – relieving	PS745P
Non-Relieving	PS747P
Relieving	PS749P

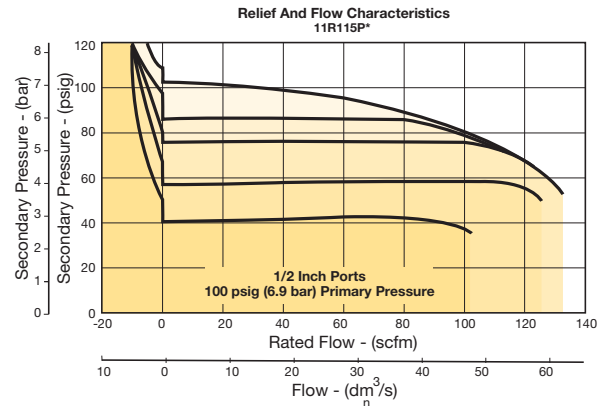


Inches (mm)

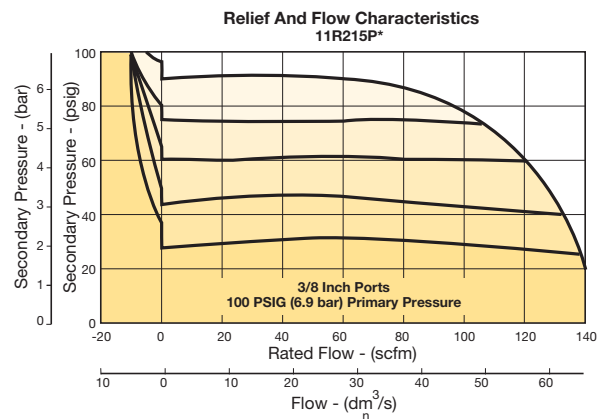
Air Preparation Products Prep-Air® II Series

Flow Charts

11R 1/2" Regulator



11R 3/8" Regulator

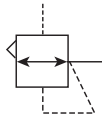


WARNING

Product rupture can cause serious injury.
Do not connect regulator to bottled gas.
Do not exceed Maximum primary pressure rating.

12R Pilot Controlled Regulator – Standard

- Balanced poppet provides quick response and accurate pressure regulation
- Pilot controlled regulators can be mounted “out of reach” with pilot regulator installed in a convenient location
- Solid control piston for extended life
- Two full flow 1/4" gauge ports can be used as additional outlets
- Pilot port 1/4 Inch
- 1/2", 3/4" ports (NPT, BSPP)



Operating information

Supply pressure (max):	0 to 250 psig (0 to 17.2 bar)	
Operating temperature:	32°F to 175°F (0°C to 80°C)	
Flow capacity†:		
High flow	1/2"	140 scfm (66 dm ³ /s, ANR)
	3/4"	140 scfm (66 dm ³ /s, ANR)
Gauge ports (2):	1/4 inch (can be used as additional full flow 1/4 inch outlet ports)	
Weight:	2.0 lb (0.91 kg)	

† scfm = Standard cubic feet per minute at 100 psig inlet, 90 psig no flow secondary setting and 10 psig pressure drop.

Port size	Description	Part number
1/2"	Without gauge	12R315PB
1/2"	With 160 psi gauge	12R321PB
3/4"	Without gauge	12R415PB
3/4"	With 160 psi gauge	12R421PB

NOTE: 2.0 Dia. (51 mm) hole required for panel mounting.

Ordering information:

12R	3	15	P	B	[]																										
<table border="1"> <thead> <tr><th colspan="2">Port Threads</th></tr> </thead> <tbody> <tr><td>1/2 inch</td><td>3</td></tr> <tr><td>3/4 inch</td><td>4</td></tr> </tbody> </table>		Port Threads		1/2 inch	3	3/4 inch	4	<table border="1"> <thead> <tr><th colspan="2">Relief / Gauge Options</th></tr> </thead> <tbody> <tr><td>Without gauge</td><td></td></tr> <tr><td>Non-relieving piston</td><td>14</td></tr> <tr><td>Relieving piston</td><td>15</td></tr> <tr><td>With gauge *</td><td></td></tr> <tr><td>Non-relieving piston</td><td>19</td></tr> <tr><td>Relieving piston</td><td>21</td></tr> </tbody> </table>		Relief / Gauge Options		Without gauge		Non-relieving piston	14	Relieving piston	15	With gauge *		Non-relieving piston	19	Relieving piston	21	<table border="1"> <thead> <tr><th colspan="2">Port Type</th></tr> </thead> <tbody> <tr><td>Blank</td><td>NPT</td></tr> <tr><td>1</td><td>BSPP</td></tr> </tbody> </table>		Port Type		Blank	NPT	1	BSPP
Port Threads																															
1/2 inch	3																														
3/4 inch	4																														
Relief / Gauge Options																															
Without gauge																															
Non-relieving piston	14																														
Relieving piston	15																														
With gauge *																															
Non-relieving piston	19																														
Relieving piston	21																														
Port Type																															
Blank	NPT																														
1	BSPP																														
			<table border="1"> <thead> <tr><th colspan="2">Engineering Level</th></tr> </thead> <tbody> <tr><td>B</td><td>Current</td></tr> </tbody> </table>		Engineering Level		B	Current																							
Engineering Level																															
B	Current																														
			<table border="1"> <thead> <tr><th colspan="2">Adjustment</th></tr> </thead> <tbody> <tr><td>P</td><td>Pilot operated</td></tr> </tbody> </table>		Adjustment		P	Pilot operated																							
Adjustment																															
P	Pilot operated																														

* Includes 2" dial face gauge 0 to 300 psig.

Prep-Air® II Products



Filters

Coalescers

Regulators

Filter / Regulators

Lubricators

Combinations

Accessories



For inventory, lead times, and kit lookup, visit www.pdnplu.com

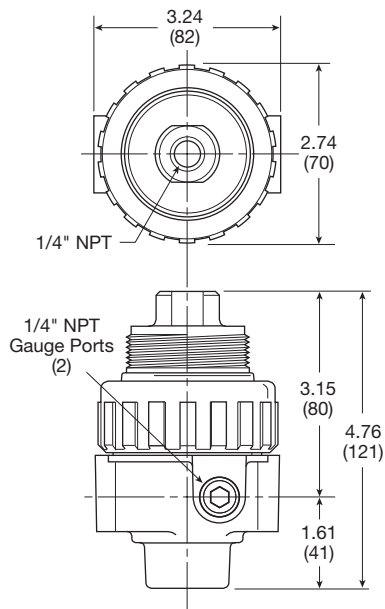
Standard Pilot Controlled Regulators

Material Specifications

Body & pilot cap	Zinc
Piston, valve poppet, & collar	Plastic
Seals	Nitrile
Springs	Steel

Repair and Service Kits

Seat insert kit	PS813P
2" dial face 60 psig (0 to 4.1 bar)	K4520N14060
2" dial face 160 psig (0 to 11.0 bar)	K4520N14160
2" dial face 300 psig (0 to 20.7 bar)	K4520N14300
1-3/4" digital round face 160 psig (0 to 11.0 bar)	K4517N14160D
Mounting bracket kit (includes panel mount nut)	PS807P
Panel mount nut, plastic	P04082
Panel mount nut, metal	P04079B
Pilot conversion kit – relieving	PS745P
Non-relieving	PS847P
Relieving	PS849P

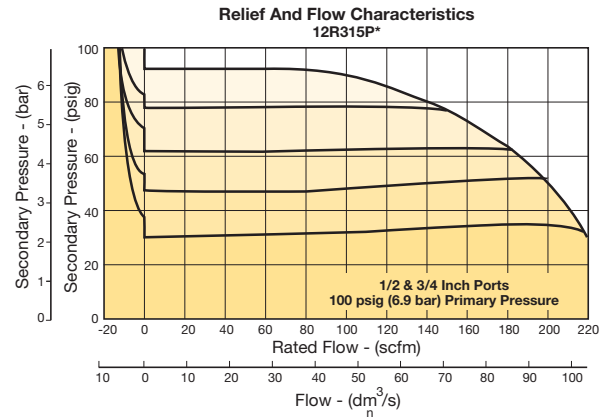


Inches (mm)

Air Preparation Products Prep-Air® II Series

Flow Charts

12R 1/2 and 3/4" Regulator



⚠ WARNING

Product rupture can cause serious injury.
Do not connect regulator to bottled gas.
Do not exceed Maximum primary pressure rating.

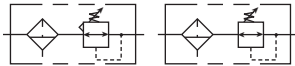


For inventory, lead time, and kit lookup, visit www.pdnplu.com



05E Filter / Regulator – Economy

- Space saving package offers both filter and regulator features for optimal performance
- Excellent water removal efficiency
- Rolling diaphragm for extended life
- Removable non-rising knob for tamper resistance
- Quick response, and accurate pressure regulation regardless of changing flow or inlet pressure
- 40 micron filter element standard
- 1/4", 3/8" ports (NPT)



Operating information

Supply pressure (max):	Plastic bowl		0 to 150 psig (0 to 10.3 bar)
Operating temperature:	Plastic bowl		32°F to 125°F (0°C to 52°C)
Flow capacity†:	High flow	1/4"	30 scfm (14.2 dm³/s, ANR)
		3/8"	40 scfm (18.9 dm³/s, ANR)
Bowl capacity:	2 oz.		
Auto pulse drain tube barb	1/8 inch		
Gauge ports (2):	1/4 inch		
Sump capacity:	0.9 oz.		
Weight:	1.35 lb (0.6 kg)		

† scfm = Standard cubic feet per minute at 100 psig inlet, 90 psig no flow secondary setting and 10 psig pressure drop.

Port size	Description ‡	Part number
1/4"	Poly bowl, metal guard, twist drain	05E12A13AB
1/4"	Poly bowl, metal guard, auto pulse drain	05E1PA13AB
3/8"	Poly bowl, metal guard, twist drain	05E22A13AB
3/8"	Poly bowl, metal guard, auto pulse drain	05E2PA13AB

‡ For polycarbonate bowl, see caution in Engineering Section A.
NOTE: 1.53 Dia. (39 mm) hole required for panel mounting.

Ordering information:

05E 1 2 A 13 A B

Port Size	
1/4 inch	1
3/8 inch	2

Bowl Options	
Poly bowl, metal bowl guard, twist drain	2
Poly bowl, metal bowl guard, auto pulse drain	P

Element	
40 Micron	A

Pressure Range			
Without gauge		With gauge*	
11	60 psig	16	60 psig
13	125 psig	18	125 psig

Relief	
A	Relieving

Engineering Level	
B	Current

* Includes 1-1/2" dial face gauge.

Most popular.



For inventory, lead times, and kit lookup, visit www.pdnplu.com

Prep-Air® II Products
 Filters
 Coalescers
 Regulators
 Filter / Regulators
 Lubricators
 Combinations
 Accessories

Material Specifications

Adjusting stem	Steel
Body	Zinc
Bonnet, internal parts	Plastic
Transparent bowl	Polycarbonate
Bowl guard	Steel
Collar	Plastic
Diaphragm	Nitrile
Drain	Plastic
40 micron element (standard)	Plastic
5 micron element (optional)	Plastic
Adsorber element (optional)	Activated charcoal
Knob	Plastic
Seals	Nitrile
Sight gauge	Polyamide (nylon)
Springs, poppet & control	Steel

Repair and Service Kits

Bowl guard kit	PS905P
Poly bowl, automatic pulse drain	PS995P
Poly bowl, twist drain	PS932P
Auto pulse drain	PS998P
Twist drain	PS512P
40 micron element	PS901P
5 micron element	PS902P
Adsorber element	PS931P
Sight gauge kit	PS914P
1-1/2" dial face 30 psig (0 to 2.1 bar), gauge	K4515N14030
1-1/2" dial face 60 psig (0 to 4.1 bar), gauge	K4515N14060
1-1/2" dial face 160 psig (0 to 11.0 bar), gauge	K4515N14160
1-1/2" dial face 300 psig (0 to 20.7 bar), gauge	K4515N14300
2" dial face 60 psig (0 to 4.1 bar), gauge	K4520N14060
2" dial face 160 psig (0 to 11.0 bar), gauge	K4520N14160
2" dial face 300 psig (0 to 20.7 bar), gauge	K4520N14300
Mounting bracket kit (includes panel mount nut)	PS963P
Panel mount nut – metal	PS964P
1-30 psig spring	P04427
1-60 psig spring	P04426
2-125 psig spring	P04425
2-200 psig spring	P02934
Relieving service kit	PS908P
Bonnet assembly kit	PS915P

WARNING

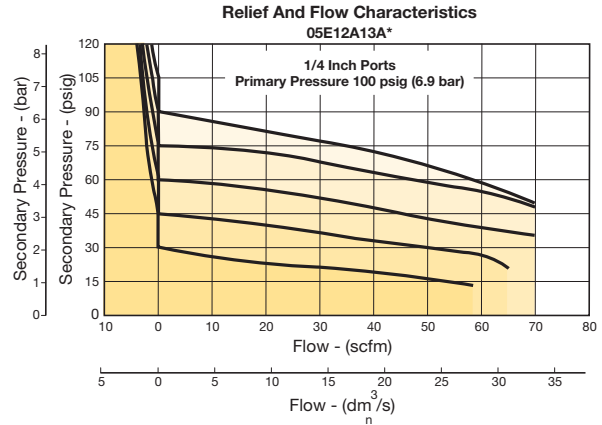
Product rupture can cause serious injury. Do not connect regulator to bottled gas. Do not exceed Maximum primary pressure rating.

CAUTION:

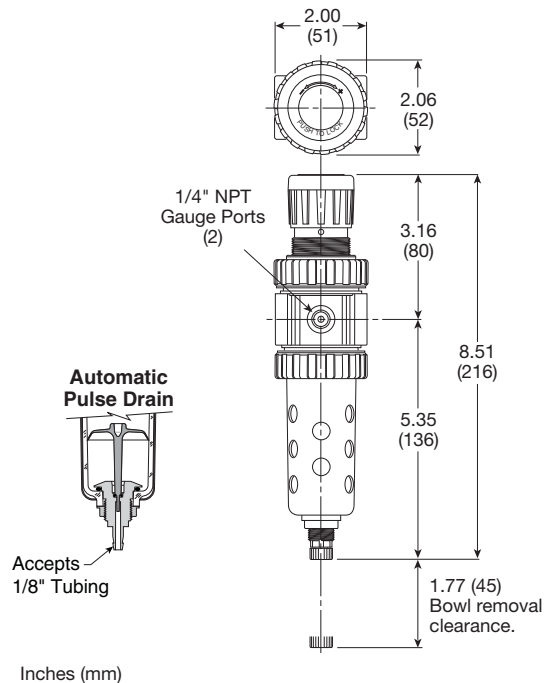
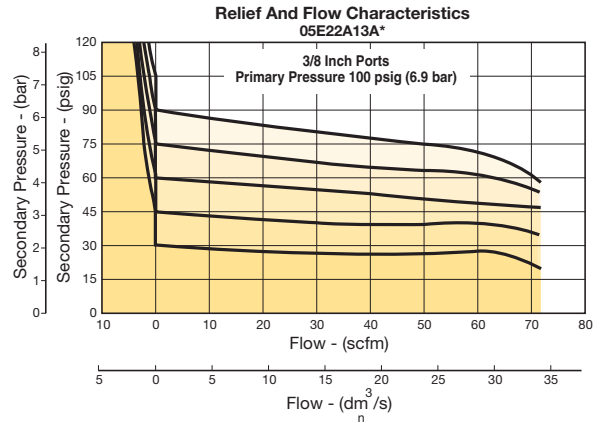
REGULATOR PRESSURE ADJUSTMENT – The working range of knob adjustment is designed to permit outlet pressures within their full range. Pressure adjustment beyond this range is also possible because the knob is not a limiting device. This is a common characteristic of most industrial regulators, and limiting devices may be obtained only by special design. For best performance, regulated pressure should always be set by increasing the pressure up to the desired setting.

Flow Charts

05E 1/4" Filter / Regulator



05E 3/8" Filter / Regulator

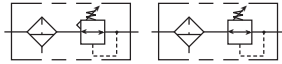


For inventory, lead time, and kit lookup, visit www.pdnplu.com



06E Filter / Regulator – Compact

- Space saving package offers both filter and regulator features for optimal performance
- Excellent water removal efficiency
- Rolling diaphragm for extended life
- Quick response, and accurate pressure regulation regardless of changing flow or inlet pressure
- Two high flow 1/4" gauge ports can be used as additional outlets
- Shown with recommended metal bowl guard
- 1/4", 3/8", 1/2" ports (NPT, BSPP)



Port size	Description †	Part number
1/4"	Poly bowl, metal guard, twist drain	06E12A13AC
1/4"	Poly bowl, metal guard, auto float drain	06E16A13AC
1/4"	Metal bowl, sight gauge, twist drain	06E14A13AC
1/4"	Metal bowl, sight gauge, auto float drain	06E18A13AC
3/8"	Poly bowl, metal guard, twist drain	06E22A13AC
3/8"	Poly bowl, metal guard, auto float drain	06E26A13AC
3/8"	Metal bowl, sight gauge, twist drain	06E24A13AC
3/8"	Metal bowl, sight gauge, auto float drain	06E28A13AC
1/2"	Poly bowl, metal guard, twist drain	06E32A13AC
1/2"	Poly bowl, metal guard, auto float drain	06E36A13AC
1/2"	Metal bowl, sight gauge, twist drain	06E34A13AC
1/2"	Metal bowl, sight gauge, auto float drain	06E38A13AC

† For polycarbonate bowl, see caution in Engineering Section A.
NOTE: 2.0 Dia. (50.8 mm) hole required for panel mounting. Max panel thickness 1/4"

Operating information

Supply pressure (max):	
Plastic bowl	0 to 150 psig (0 to 10.3 bar)
Metal bowl	0 to 250 psig (0 to 17.2 bar)
Auto float drain	15 to 250 psig (1.0 to 17.2 bar)
Operating temperature:	
Plastic bowl	32°F to 125°F (0°C to 52°C)
Metal bowl	32°F to 175°F (0°C to 80°C)
Secondary pressure range:	
Standard	2 to 125 psig (0 to 8.6 bar)
Low	1 to 60 psig (0 to 4.1 bar)
High	5 to 250 psig (0.4 to 17.2 bar)
Flow capacity†:	
High flow	1/4" 45 scfm (21.7 dm³/s, ANR)
	3/8" 55 scfm (26 dm³/s, ANR)
	1/2" 61 scfm (28.8 dm³/s, ANR)
Bowl capacity:	4.4 oz.
Gauge ports (2):	1/4 inch (can be used as additional full flow 1/4" outlet ports)
Sump capacity:	1.75 oz.
Weight:	1.6 lb (0.7 kg)

† scfm = Standard cubic feet per minute at 100 psig inlet, 90 psig no flow secondary setting and 10 psig pressure drop.

Ordering information:

06E 1 2 A 13 A C

Port Size	1	2	3
1/4 inch	1		
3/8 inch		2	
1/2 inch			3

Engineering Level	C	Current
C		

Relief	A	L
A	Relieving	Non-relieving

Pressure Range	Without gauge	With gauge
11	60 psig	16 60 psig
13	125 psig	18 125 psig
15*	250 psig	21* 250 psig

Preset / Pressure Limited	Blank	None
XXX*	Preset pressure	
XXX*	Pressure limited	

* Available preset range, 10 to 90 psig in 5 psig increments. For higher pressures, contact factory. (Example: 065 = 65 psig)

Options	Blank	No options
L †	Preset non-adjustable	
P †	Preset adjustable	

† Inlet Pressure is 100 psig. For other pressures, contact factory.

Port Type	Blank	NPT
1*	BSPP	

* 1/4 & 3/8 inch meet ISO 1179-1 standard.

Bowl Options	2	6	3	4	7	8
Poly bowl, metal bowl guard, twist drain						
Poly bowl, metal bowl guard, auto float drain						
Metal bowl, twist drain						
Metal bowl, sight gauge, twist drain						
Metal bowl, auto float drain						
Metal bowl, sight gauge, auto float drain						

Element	A	B
40 Micron		
5 Micron		

Spring Type by Preset / Limited Pressure:
For Preset / Limited Pressure 26 to 50 use 60 psi spring
For Preset / Limited Pressure 51 to 90 use 125 psi spring

Most popular.

Prep-Air® II
Products



Filters

Coalescers

Regulators

Filter /
Regulators

Lubricators

Combinations

Accessories



For inventory, lead times, and kit lookup, visit www.pdnplu.com

Material Specifications

Adjusting stem	Steel
Body	Zinc
Bonnet, internal parts	Plastic
Transparent bowl	Polycarbonate
Metal bowl (with or without sight gauge)	Zinc
Bowl guard	Steel
Collar	Plastic
Diaphragm	Nitrile
Manual twist drain, standard, body & nut	Plastic
Auto float drain, housing, float	Plastic
Auto float drain, seals	Nitrile
Auto float drain, springs, push rod	Stainless steel
Knob	Plastic
40 micron element (standard)	Plastic
5 micron element (optional)	Plastic
Adsorber element (optional)	Activated charcoal
Seals	Nitrile
Sight gauge	Polyamide
Poppet, spring	Stainless
Control, spring	Steel

Repair and Service Kits

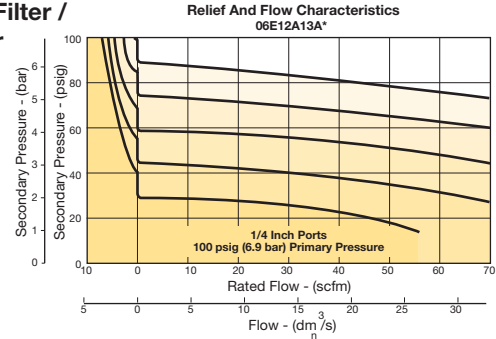
Bonnet assembly kit	PS715P
Bowl guard kit	PS705P
Poly bowl, auto float drain	PS722P
Poly bowl, twist drain	PS732P
Metal bowl, auto float drain	PS726P
Metal bowl, twist drain	PS734P
Metal bowl, sight gauge / auto drain	PS723P
Metal bowl, sight gauge / twist drain	PS735P
Control knob	P04069B
Auto float drain	PS506P
Semi-auto drain	PS511P
Twist drain	PS512P
40 micron element	PS701P
5 micron element	PS702P
Adsorber element	PS731P
2" dial face 60 psig (0 to 4.1 bar), gauge	K4520N14060
2" dial face 160 psig (0 to 11.0 bar), gauge	K4520N14160
2" dial face 300 psig (0 to 20.7 bar), gauge	K4520N14300
1-3/4" digital round face 160 psig (0 to 11.0 bar), gauge	K4517N14160D
Mounting bracket kit (includes panel mount nut)	PS707P
Panel mount nut	P04082
Non-relieving (includes poppet)	PS711P
Relieving (includes poppet)	PS710P
Seat insert kit	PS713P
1- 30 psig spring	P01698
1- 60 psig spring	P04062
2- 125 psig spring	P04063
5- 250 psig spring	P04064
Tamperproof kit (key lock)	PS737P

WARNING

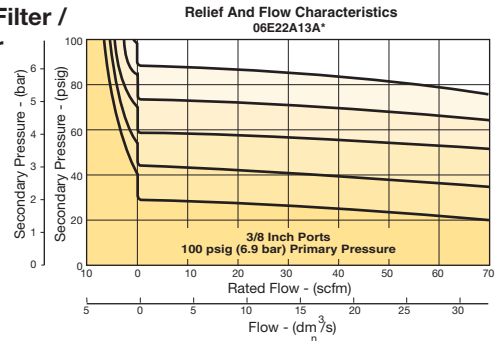
**Product rupture can cause serious injury.
Do not connect regulator to bottled gas.
Do not exceed Maximum primary pressure rating.**

Flow Charts

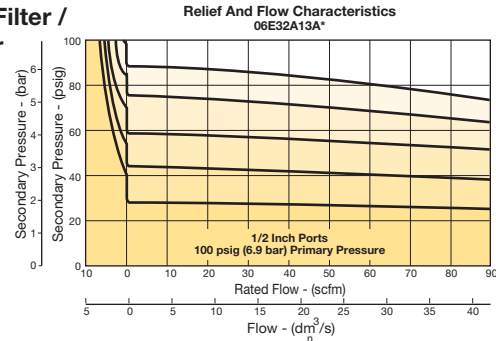
06E 1/4" Filter / Regulator



06E 3/8" Filter / Regulator

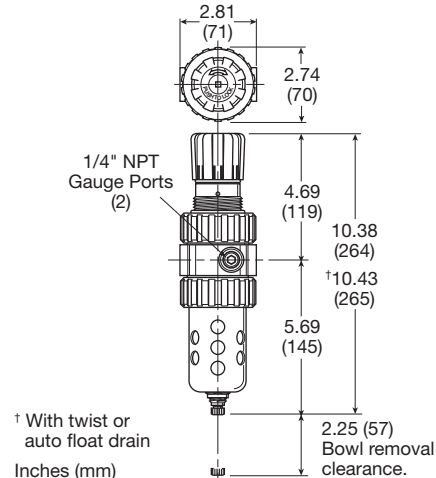


06E 1/2" Filter / Regulator



CAUTION:

REGULATOR PRESSURE ADJUSTMENT – The working range of knob adjustment is designed to permit outlet pressures within their full range. Pressure adjustment beyond this range is also possible because the knob is not a limiting device. This is a common characteristic of most industrial regulators, and limiting devices may be obtained only by special design. For best performance, regulated pressure should always be set by increasing the pressure up to the desired setting.

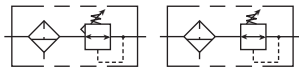


For inventory, lead time, and kit lookup, visit www.pdnplu.com



07E Filter / Regulator – Standard

- Space saving package offers both filter and regulator features for optimal performance
- Excellent water removal efficiency
- Rolling diaphragm for extended life
- Quick response, and accurate pressure regulation regardless of changing flow or inlet pressure
- Two high flow 1/4" gauge ports can be used as additional outlets
- Shown with recommended metal bowl guard
- 1/2", 3/4" ports (NPT, BSPP)



Port size	Description †	Part number
1/2"	Poly bowl, metal guard, twist drain	07E32A13AC
1/2"	Poly bowl, metal guard, auto float drain	07E36A13AC
1/2"	Metal bowl, sight gauge, twist drain	07E34A13AC
1/2"	Metal bowl, sight gauge, auto float drain	07E38A13AC
3/4"	Poly bowl, metal guard, twist drain	07E42A13AC
3/4"	Poly bowl, metal guard, auto float drain	07E46A13AC
3/4"	Metal bowl, sight gauge, twist drain	07E44A13AC
3/4"	Metal bowl, sight gauge, auto float drain	07E48A13AC

† For polycarbonate bowl, see caution in Engineering Section A.
NOTE: 2.0 Dia. (50.8 mm) hole required for panel mounting. Max panel thickness 1/4".

Operating information

Supply pressure (max):		
Plastic bowl		0 to 150 psig (0 to 10.3 bar)
Metal bowl		0 to 250 psig (0 to 17.2 bar)
Auto float drain		15 to 250 psig (1.0 to 17.2 bar)
Operating temperature:		
Plastic bowl		32°F to 125°F (0°C to 52°C)
Metal bowl		32°F to 175°F (0°C to 80°C)
Secondary pressure range:		
Standard		2 to 125 psig (0 to 8.6 bar)
Low		1 to 60 psig (0 to 4.1 bar)
High		5 to 250 psig (0.4 to 17.2 bar)
Flow capacity†:		
High flow	1/2"	90 scfm (42.5 dm ³ /s, ANR)
	3/4"	90 scfm (42.5 dm ³ /s, ANR)
Bowl capacity:		7.2 oz.
Gauge ports (2):		1/4 inch (can be used as additional full flow 1/4" outlet ports)
Sump capacity:		2.8 oz.
Weight:		2.5 lb (1.1 kg)

† scfm = Standard cubic feet per minute at 100 psig inlet, 90 psig no flow secondary setting and 10 psig pressure drop.

Ordering information:

07E	3	2	A	13	A	C				
Port Size						Engineering Level			Preset / Pressure Limited	
1/2 inch	3					C	Current		Blank	None
3/4 inch	4								XXX*	Preset pressure
									XXX*	Pressure limited
Bowl Options						Relief			* Available preset range, 10 to 90 psig in 5 psig increments. For higher pressures, contact factory. (Example: 065 = 65 psig)	
Poly bowl, metal bowl guard, twist drain	2					A	Relieving		Options	
Poly bowl, metal bowl guard, auto float drain	6					L	Non-relieving		Blank	No options
Metal bowl, twist drain	3								L †	Preset non-adjustable
Metal bowl, sight gauge, twist drain	4								P †	Preset adjustable
Metal bowl, auto float drain	7								† Inlet Pressure is 100 psig. For other pressures, contact factory.	
Metal bowl, sight gauge, auto float drain	8								Port Type	
									Blank	NPT
									1*	BSPP
Element									* 1/2 & 3/4 inch meet ISO 1179-1 standard.	
40 Micron	A									
5 Micron	B									
Pressure Range										
Without gauge	With gauge									
11	60 psig	16	60 psig							
13	125 psig	18	125 psig							
15*	250 psig	21*	250 psig							
Spring Type by Preset / Limited Pressure:										
For Preset / Limited Pressure 26 to 50 use 60 psi spring										
For Preset / Limited Pressure 51 to 90 use 125 psi spring										

Most popular.



For inventory, lead times, and kit lookup, visit www.pdnplu.com

Material Specifications

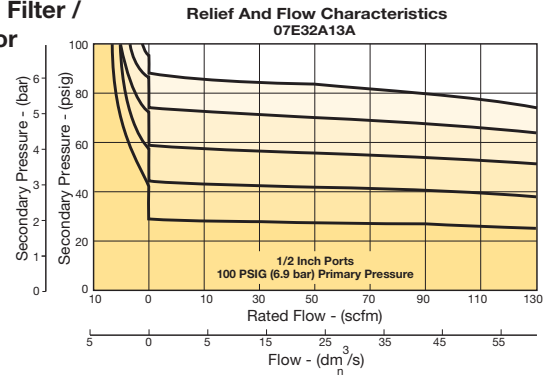
Adjusting stem	Steel
Body	Zinc
Bonnet, internal parts	Plastic
Transparent bowl	Polycarbonate
Metal bowl (with or without sight gauge)	Zinc
Bowl guard	Steel
Collar	Plastic or metal
Diaphragm	Nitrile
Manual twist drain, standard, body & nut	Plastic
Auto float drain, housing, float	Plastic
Auto float drain, seals	Nitrile
Auto float drain, springs, push rod	Stainless steel
Knob	Plastic
40 micron element (standard)	Plastic
5 micron element (optional)	Plastic
Adsorber element (optional)	Activated charcoal
Seals	Nitrile
Sight gauge	Polyamide
Poppet, spring	Stainless
Control, spring	Steel

Repair and Service Kits

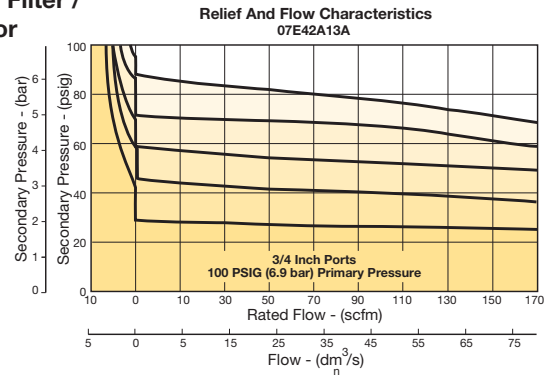
Bonnet assembly kit	PS715P
Bowl guard kit	PS805P
Poly bowl, auto float drain	PS822P
Poly bowl, twist drain	PS832P
Metal bowl, automatic float drain	PS826P
Metal bowl, twist drain	PS834P
Metal bowl, sight gauge / auto drain	PS823P
Metal bowl, sight gauge / twist drain	PS835P
Control knob	P04069B
Auto float drain	PS506P
Twist drain	PS512P
40 micron element	PS801P
5 micron element	PS802P
Adsorber element	PS831P
2" dial face 60 psig (0 to 4.1 bar), gauge	K4520N14060
2" dial face 160 psig (0 to 11.0 bar), gauge	K4520N14160
2" dial face 300 psig (0 to 20.7 bar), gauge	K4520N14300
1-3/4" Digital Round Face 160 psig (0 to 11.0 bar)	K4517N14160D
Mounting bracket kit (includes panel mount nut)	PS807P
Panel mount nut	P04082
Non-relieving (includes poppet)	PS811P
Relieving (includes poppet)	PS810P
Seat insert kit	PS813P
1- 30 psig spring	P01698
1- 60 psig spring	P04062
2- 125 psig spring	P04063
5- 250 psig spring	P04064
Tamperproof kit (key lock)	PS737P

Flow Charts

07E 1/2" Filter / Regulator



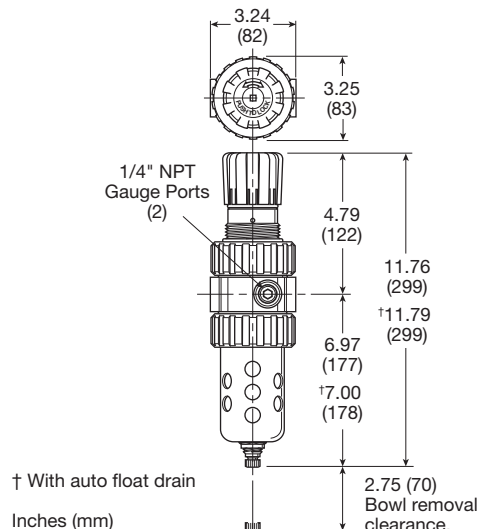
07E 3/4" Filter / Regulator



WARNING
Product rupture can cause serious injury.
Do not connect regulator to bottled gas.
Do not exceed Maximum primary pressure rating.

CAUTION:

REGULATOR PRESSURE ADJUSTMENT – The working range of knob adjustment is designed to permit outlet pressures within their full range. Pressure adjustment beyond this range is also possible because the knob is not a limiting device. This is a common characteristic of most industrial regulators, and limiting devices may be obtained only by special design. For best performance, regulated pressure should always be set by increasing the pressure up to the desired setting.



For inventory, lead time, and kit lookup, visit www.pdnplu.com

Prep-Air® II Products
Filters
Coalescers
Regulators
Filter / Regulators
Lubricators
Combinations
Accessories

12E Filter / Regulator – Coalescing

- Space saving package offers both coalescer and regulator features for optimal performance
- Removes liquid, aerosol and sub-micron particles
- Rolling diaphragm for extended life
- Removable non-rising knob for panel mounting and tamper resistance
- Quick response, and accurate pressure regulation regardless of changing flow or inlet pressure
- Two high flow 1/4" gauge ports can be used as additional outlets
- 1/2", 3/4" ports (NPT, BSPP)



Prep-Air® II
Products



Filters

Coalescers

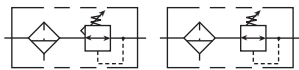
Regulators

Filter /
Regulators

Lubricators

Combinations

Accessories



Port size	Description ‡	Part number
1/2"	Metal bowl, twist drain	12E33E13AA
1/2"	Metal bowl, auto float drain	12E37E13AA
3/4"	Metal bowl, twist drain	12E43E13AA
3/4"	Metal bowl, auto float drain	12E47E13AA

‡ For polycarbonate bowl, see caution in Engineering Section A.
NOTE: 2.0 Dia. (50.8 mm) hole required for panel mounting. Max panel thickness 1/4"

Operating information

Supply pressure (max):	Metal bowl	0 to 250 psig (0 to 17.2 bar)
Operating temperature:	Metal bowl	32°F to 175°F (0°C to 80°C)
Secondary pressure range:	Standard	2 to 125 psig (0 to 8.6 bar)
	Low	1 to 60 psig (0 to 4.1 bar)
	High	5 to 250 psig (0.4 to 17.2 bar)
Flow capacity†:	High flow 1/2"	40 scfm (18.9 dm³/s, ANR)
	3/4"	45 scfm (21.2 dm³/s, ANR)
Bowl capacity:		7.2 oz.
Gauge ports (2):		1/4 inch (can be used as additional full flow 1/4" outlet ports)
Sump capacity:		2.8 oz.
Weight:		2.5 lb (1.1 kg)

† scfm = Standard cubic feet per minute at 150 psig inlet, 90 psig no flow secondary setting and 10 psig pressure drop.

Ordering information:

12E 3 2 E 13 A A

Port Size	3	4
1/2 inch	3	
3/4 inch		4

Bowl Options	
Metal bowl, twist drain	3
Metal bowl, auto float drain	7

Engineering Level	
A	Current

Relief	
A	Relieving
L	Non-relieving

Preset / Pressure Limited	
Blank	None
XXX*	Preset pressure
XXX*	Pressure limited

* Available preset range, 10 to 90 psig in 5 psig increments. For higher pressures, contact factory. (Example: 065 = 65 psig)

Options	
Blank	No options
L †	Preset non-adjustable
p †	Preset adjustable

† Inlet Pressure is 100 psig. For other pressures, contact factory.

Port Type	
Blank	NPT
1*	BSPP

* 1/2 inch meet ISO 1179-1 standard.

Element	
Grade 6	E
Grade 10	H

Pressure Range			
Without gauge		With gauge	
11	60 psig	16	60 psig
13	125 psig	18	125 psig
15*	250 psig	21*	250 psig

* If 250 psig spring range is used, use metal bowl.

Spring Type by Preset / Limited Pressure:
 For Preset / Limited Pressure 10 to 25 use 30 psi spring
 For Preset / Limited Pressure 26 to 50 use 60 psi spring
 For Preset / Limited Pressure 51 to 90 use 125 psi spring

Most popular.



For inventory, lead times, and kit lookup, visit www.pdnplu.com

Coalescing Filter / Regulators

Material Specifications

Adjusting stem	Steel
Body	Zinc
Bonnet, internal parts	Plastic
Metal bowl (without sight gauge)	Zinc
Collar for bonnet	Metal
Control spring	Steel
Diaphragm	Nitrile
Manual twist drain, standard, body & nut	Plastic
Auto float drain, housing, float	Plastic
Auto float drain, seals	Nitrile
Auto float drain, springs, push rod	Stainless steel
Knob	Plastic
Element	Borosilicate & felt glass fibers
Seals	Nitrile
Sight gauge	Polyamide
Poppet, spring	Stainless

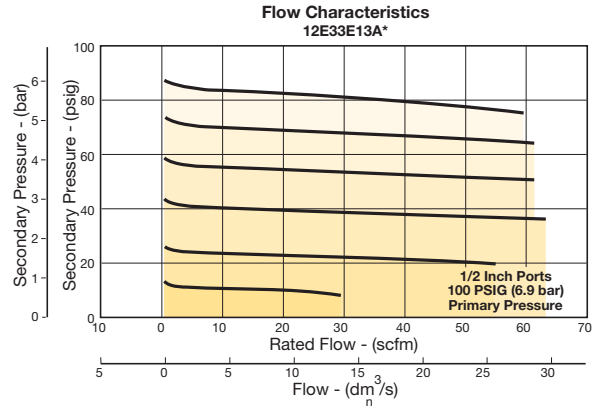
Repair and Service Kits

Bonnet assembly kit	PS715P
Metal bowl, auto float drain	PS826P
Metal bowl, twist drain	PS834P
Control knob	P04069B
Auto float drain	PS506P
Twist drain	PS512P
Grade 6 element (0.01 micron)	PS884P
Grade 10 element (1.0 micron)	PS885P
2" dial face 60 psig (0 to 4.1 bar), gauge	K4520N14060
2" dial face 160 psig (0 to 11.0 bar), gauge	K4520N14160
2" dial face 300 psig (0 to 20.7 bar), gauge	K4520N14300
1-3/4" digital round face 160 psig (0 to 11.0 bar), gauge	K4517N14160D
Mounting bracket kit (includes panel mount nut)	PS807P
Relieving (includes poppet)	PS886P
1- 30 psig spring	P01698
1- 60 psig spring	P04062
2- 125 psig spring	P04063
5- 250 psig spring	P04064
Tamperproof kit (key lock)	PS737P

Air Preparation Products Prep-Air® II Series

Flow Charts

12E 1/2" Filter / Regulator

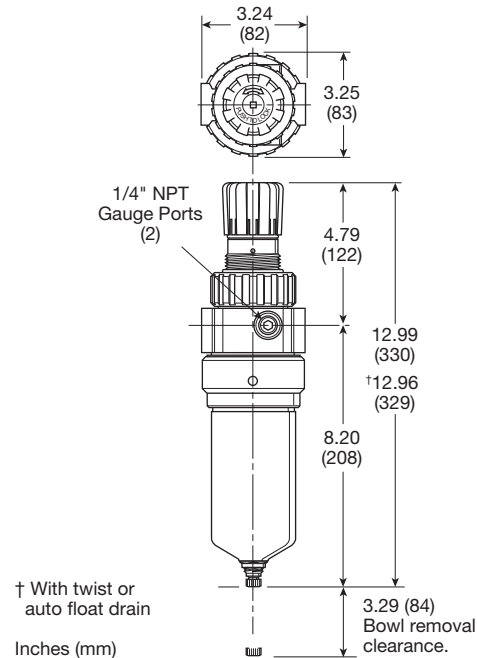


WARNING

**Product rupture can cause serious injury.
Do not connect regulator to bottled gas.
Do not exceed Maximum primary pressure rating.**

CAUTION:

REGULATOR PRESSURE ADJUSTMENT – The working range of knob adjustment is designed to permit outlet pressures within their full range. Pressure adjustment beyond this range is also possible because the knob is not a limiting device. This is a common characteristic of most industrial regulators, and limiting devices may be obtained only by special design. For best performance, regulated pressure should always be set by increasing the pressure up to the desired setting.



Prep-Air® II
Products



Filters

Coalescers

Regulators

Filter /
Regulators

Lubricators

Combinations

Accessories



For inventory, lead time, and kit lookup, visit www.pdnplu.com

15L Micro-Mist Lubricators – Economy

- Proportional oil delivery over a wide range of air flows
- Generates oil particles of 5 micron or smaller downstream to lubricate systems having complex piping arrangements
- Precision needle valve assures repeatable oil delivery and provides simple adjustment of delivery rate
- Ideal for low and high flow applications with changing air flow
- Transparent sight dome for 360° visibility
- Removable drip control knob for tamper resistance
- Integral 1/4" & 3/8" (NPT)



Operating information

Supply pressure (max):		
Plastic bowl		150 psig (10.3 bar)
Operating temperature:		
Plastic bowl		32°F to 125°F (0°C to 52°C)
Flow capacity†:		
High flow	1/4"	40 scfm (18.9 dm³/s, ANR)
	3/8"	40 scfm (18.9 dm³/s, ANR)
Minimum flow		2 scfm (0.9 dm³/s, ANR) at 100 psig (6.9 bar)
Bowl capacity:		2.0 oz.
Weight		1.0 lb (0.45 kg)

† scfm = Standard cubic feet per minute at 90 psig inlet and 5 psig pressure drop.

Port size	Description ‡	Part number
1/4"	Poly bowl, metal guard, no drain	15L12NA
3/8"	Poly bowl, metal guard, no drain	15L22NA

‡ For polycarbonate bowl and sight dome, see caution in Engineering Section A.

Ordering information:

15L	1	2	N	A
Port Size				Engineering Level
1/4 inch	1			A
3/8 inch	2			Current
Bowl Options				Fill Options
Poly bowl with metal bowl guard, no drain	2		B	With fill plug
			N	No fill plug

Suggested LubricantF442 Oil

Petroleum based oil of 100 to 200 SUS viscosity at 100°F (38°C) and an aniline point greater than 200°F (93°C)
(DO NOT USE OILS WITH ADDITIVES, COMPOUNDED OILS CONTAINING SOLVENTS, GRAPHITE, DETERGENTS, OR SYNTHETIC OILS.)

Most popular.

Prep-Air® II Products



Filters

Coalescers

Regulators

Filter / Regulators

Lubricators

Combinations

Accessories



For inventory, lead times, and kit lookup, visit www.pdnplu.com

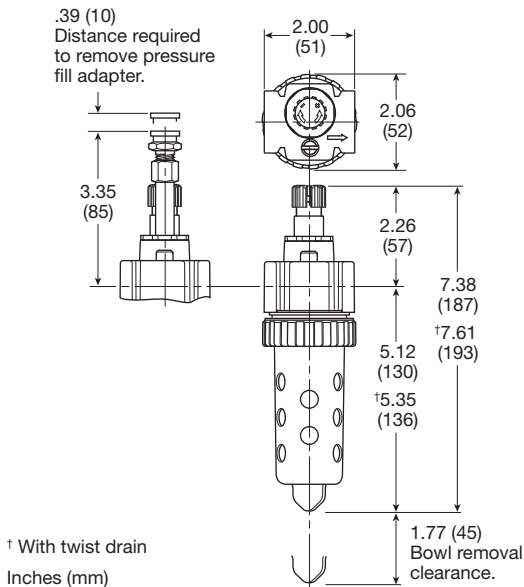
Economy Micro-Mist Lubricators

Material Specifications

Body	Zinc
Transparent bowl	Polycarbonate
Bowl guard	Steel
Collar	Plastic
Drains, twist – body & nut	Plastic
Injector meter block & base assembly	Plastic
Seals	Nitrile
Sight dome	Polycarbonate
Sight gauge	Polyamide (nylon)

Repair and Service Kits

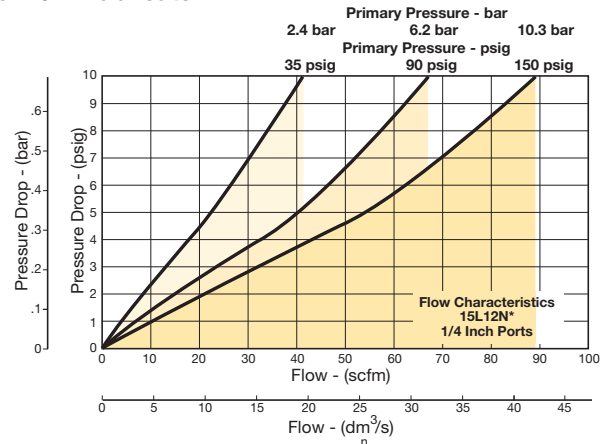
Adjustment knob	P04121
Bowl guard kit	PS905P
Poly bowl, no drain	PS946P
Twist drain	PS512P
Mounting bracket kit	PS943P
Service kit	PS948P
Sight dome kit	PS740P
Sight gauge kit	PS914P
Oil (1 quart)	F442001
Oil (1 gallon)	F442002
Oil (12 quart case)	F442003
Oil (4 gallon case)	F442005



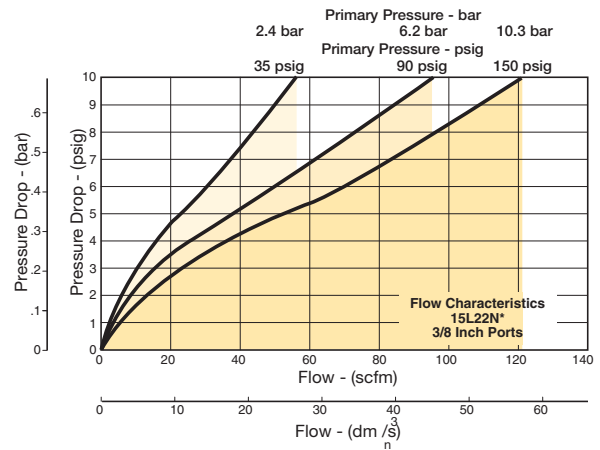
Air Preparation Products Prep-Air® II Series

Flow Charts

15L 1/4" Lubricator



15L 3/8" Lubricator



Prep-Air® II
Products



Filters

Coalescers

Regulators

Filter/
Regulators

Lubricators

Combinations

Accessories



For inventory, lead time, and kit lookup, visit www.pdnplu.com

16L Micro-Mist Lubricators – Compact

- Proportional oil delivery over a wide range of air flows
- Generates oil particles of 5 micron or smaller downstream to lubricate systems having complex piping arrangements
- Precision needle valve assures repeatable oil delivery and provides simple adjustment of delivery rate
- Ideal for low and high flow applications with changing air flow
- Transparent sight dome for 360° visibility
- Yellow fill cap identifies micro-mist lubricator
- Integral 1/4", 3/8", 1/2" (NPT, BSPP)



Port size	Description ‡	Part number
1/4"	Poly bowl, metal guard, no drain	16L12BE
1/4"	Metal bowl, sight gauge, twist drain	16L14BE
3/8"	Poly bowl, metal guard, no drain	16L22BE
3/8"	Metal bowl, sight gauge, twist drain	16L24BE
1/2"	Poly bowl, metal guard, no drain	16L32BE
1/2"	Metal bowl, sight gauge, twist drain	16L34BE

‡ For polycarbonate bowl and sight dome, see caution in Engineering Section A.

Operating information

Supply pressure (max):		
Plastic bowl		150 psig (10.3 bar)
Metal bowl		250 psig (17.2 bar)
Operating temperature:		
Plastic bowl		32°F to 125°F (0°C to 52°C)
Metal bowl		32°F to 175°F (0°C to 80°C)
Flow capacity†:		
High flow	1/4"	40 scfm (18.9 dm³/s, ANR)
	3/8"	60 scfm (28.3 dm³/s, ANR)
	1/2"	90 scfm (42.5 dm³/s, ANR)
Minimum flow		1 scfm (0.5 dm³/s, ANR) at 100 psig (6.9 bar)
Bowl capacity:		2.6 oz.
Weight:		1.2 lb (0.5 kg)

† scfm = Standard cubic feet per minute at 90 psig inlet and 5 psig pressure drop.

Ordering information:

16L	1	2	B	E	Blank																										
<table border="1"> <thead> <tr> <th>Port Size</th> <th></th> </tr> </thead> <tbody> <tr> <td>1/4 inch</td> <td>1</td> </tr> <tr> <td>3/8 inch</td> <td>2</td> </tr> <tr> <td>1/2 inch</td> <td>3</td> </tr> </tbody> </table>		Port Size		1/4 inch	1	3/8 inch	2	1/2 inch	3	<table border="1"> <thead> <tr> <th>Port Type</th> <th></th> </tr> </thead> <tbody> <tr> <td>Blank</td> <td>NPT</td> </tr> <tr> <td>1*</td> <td>BSPP</td> </tr> </tbody> </table> <p>* 1/4 & 3/8 inch meet ISO 1179-1 Standard.</p>		Port Type		Blank	NPT	1*	BSPP	<table border="1"> <thead> <tr> <th>Engineering Level</th> <th></th> </tr> </thead> <tbody> <tr> <td>E</td> <td>Current</td> </tr> </tbody> </table>		Engineering Level		E	Current								
Port Size																															
1/4 inch	1																														
3/8 inch	2																														
1/2 inch	3																														
Port Type																															
Blank	NPT																														
1*	BSPP																														
Engineering Level																															
E	Current																														
<table border="1"> <thead> <tr> <th>Bowl Options</th> <th></th> </tr> </thead> <tbody> <tr> <td>Poly bowl, metal bowl guard, no drain</td> <td>2</td> </tr> <tr> <td>Poly bowl, metal bowl guard, pressure fill</td> <td>6</td> </tr> <tr> <td>Poly bowl, metal bowl guard, auto fill device</td> <td>K</td> </tr> <tr> <td>Poly bowl, metal bowl guard, twist drain</td> <td>N</td> </tr> <tr> <td>Metal bowl, sight gauge, twist drain</td> <td>4</td> </tr> <tr> <td>Metal bowl, sight gauge, pressure fill</td> <td>8</td> </tr> <tr> <td>Metal bowl, sight gauge, auto fill device</td> <td>M</td> </tr> </tbody> </table>			Bowl Options		Poly bowl, metal bowl guard, no drain	2	Poly bowl, metal bowl guard, pressure fill	6	Poly bowl, metal bowl guard, auto fill device	K	Poly bowl, metal bowl guard, twist drain	N	Metal bowl, sight gauge, twist drain	4	Metal bowl, sight gauge, pressure fill	8	Metal bowl, sight gauge, auto fill device	M	<table border="1"> <thead> <tr> <th>Fill Options</th> <th></th> </tr> </thead> <tbody> <tr> <td>B</td> <td>With fill plug</td> </tr> <tr> <td>C</td> <td>With fill plug / nylon sight dome</td> </tr> <tr> <td>F</td> <td>With body pressure fill</td> </tr> <tr> <td>G</td> <td>With body pressure fill / nylon sight dome</td> </tr> </tbody> </table>			Fill Options		B	With fill plug	C	With fill plug / nylon sight dome	F	With body pressure fill	G	With body pressure fill / nylon sight dome
Bowl Options																															
Poly bowl, metal bowl guard, no drain	2																														
Poly bowl, metal bowl guard, pressure fill	6																														
Poly bowl, metal bowl guard, auto fill device	K																														
Poly bowl, metal bowl guard, twist drain	N																														
Metal bowl, sight gauge, twist drain	4																														
Metal bowl, sight gauge, pressure fill	8																														
Metal bowl, sight gauge, auto fill device	M																														
Fill Options																															
B	With fill plug																														
C	With fill plug / nylon sight dome																														
F	With body pressure fill																														
G	With body pressure fill / nylon sight dome																														

Suggested Lubricant **F442 Oil**
 Petroleum based oil of 100 to 200 SUS viscosity at 100°F (38°C) and an aniline point greater than 200°F (93°C)
 (DO NOT USE OILS WITH ADDITIVES, COMPOUNDED OILS CONTAINING SOLVENTS, GRAPHITE, DETERGENTS, OR SYNTHETIC OILS.)

Most popular.



For inventory, lead times, and kit lookup, visit www.pdnplu.com



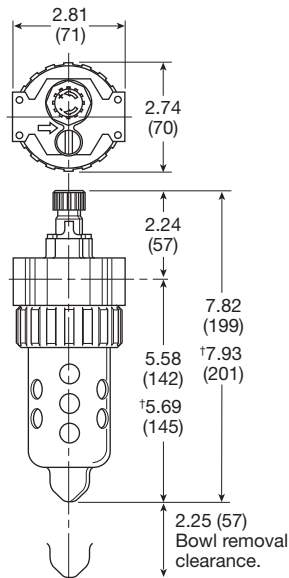
Compact Micro-Mist Lubricators

Material Specifications

Body	Zinc
Transparent bowls	Polycarbonate
Metal bowl (with sight gauge)	Zinc
Bowl guard	Steel
Collar	Plastic
Twist drain – body & nut	Plastic
Injector meter block & base assembly	Plastic
Seals	Nitrile
Sight dome	Polycarbonate
Sight gauge	Polyamide (nylon)

Repair and Service Kits

Adjustment knob	P04121
Bowl guard kit	PS705P
Poly bowl / no drain kit	PS746P
Poly bowl / twist drain kit	PS717P
Poly bowl / pressure fill kit	PS719P
Poly bowl / remote fill kit	PS728P
Metal bowl / sight gauge / twist drain kit	PS729P
Metal bowl / sight gauge / pressure fill kit	PS720P
Twist drain kit	PS512P
Fill cap kit	PS742P
Lubricator service kit	PS748P
Mounting bracket kit	PS743P
Pressure fill adapter kit	PS716P
Pressure fill button	P11912
Remote auto-fill device	PS505CP
Sight dome / fill cap kit	PS739P
Sight dome kit, polycarbonate	PS740P
Sight dome kit, nylon	PS740N
Oil (1 quart)	F442001
Oil (1 gallon)	F442002
Oil (12 quart case)	F442003
Oil (4 gallon case)	F442005

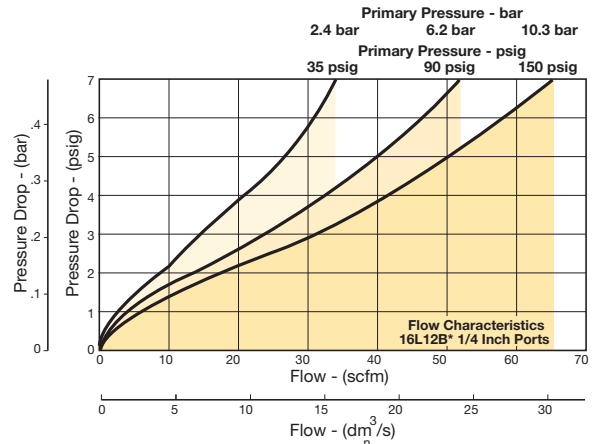


† With twist drain
Inches (mm)

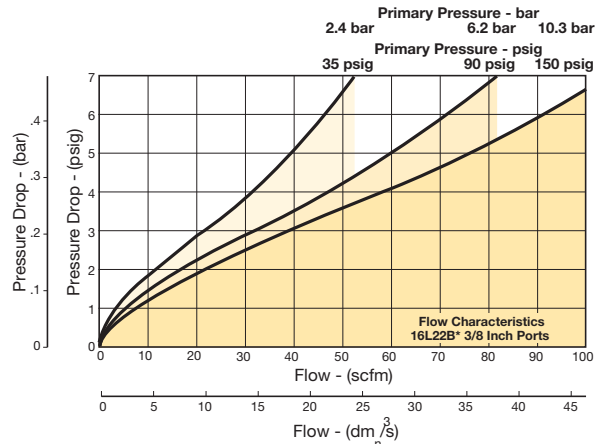
Air Preparation Products Prep-Air® II Series

Flow Charts

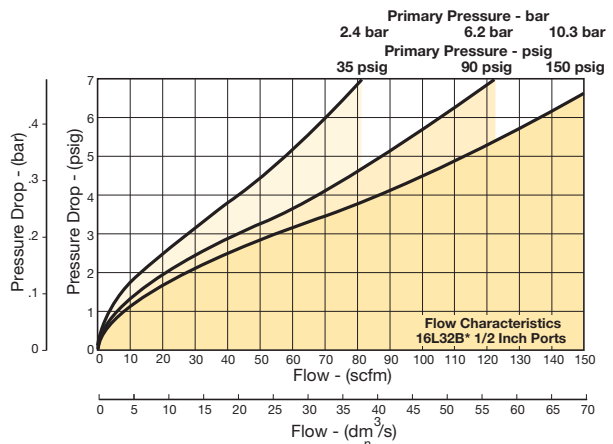
16L 1/4" Lubricator



16L 3/8" Lubricator



16L 1/2" Lubricator



Prep-Air® II
Products



Filters

Coalescers

Regulators

Filter/
Regulators

Lubricators

Combinations

Accessories



For inventory, lead time, and kit lookup, visit www.pdnplu.com

17L Micro-Mist Lubricators – Standard

- Proportional oil delivery over a wide range of air flows
- Generates oil particles of 5 micron or smaller downstream to lubricate systems having complex piping arrangements
- Precision needle valve assures repeatable oil delivery and provides simple adjustment of delivery rate
- Ideal for low and high flow applications with changing air flow
- Transparent sight dome for 360° visibility
- Yellow fill cap identifies Micro-Mist Lubricator.
- Integral 1/2", 3/4" ports (NPT, BSPP)



Port size	Description ‡	Part number
1/2"	Poly bowl, metal guard, no drain	17L32BE
1/2"	Metal bowl, sight gauge, twist drain	17L34BE
3/4"	Poly bowl, metal guard, no drain	17L42BE
3/4"	Metal bowl, sight gauge, twist drain	17L44BE

‡ For polycarbonate bowl and sight dome, see caution in Engineering Section A.

Operating information

Supply pressure (max):		
Plastic bowl		150 psig (10.3 bar)
Metal bowl		250 psig (17.2 bar)
Operating temperature:		
Plastic bowl		32°F to 125°F (0°C to 52°C)
Metal bowl		32°F to 175°F (0°C to 80°C)
Flow capacity†:		
High flow	1/2"	90 scfm (42.5 dm³/s, ANR)
	3/4"	90 scfm (42.5 dm³/s, ANR)
Minimum flow		1 scfm (0.5 dm³/s, ANR) at 100 psig (6.9 bar)
Bowl capacity:		4.9 oz.
Weight:		1.9 lb (0.9 kg)

† scfm = Standard cubic feet per minute at 90 psig inlet and 5 psig pressure drop.

Ordering information:

17L	3	2	B	E	
Port Size					Port Type
1/2 inch	3				Blank NPT
3/4 inch	4				1* BSPP
					* 1/2 inch meet ISO 1179-1 Standard.
Bowl Options				Engineering Level	
Poly bowl, metal bowl guard, no drain	2			E	Current
Poly bowl, metal bowl guard, pressure fill	6				
Poly bowl, metal bowl guard, auto fill device	K				
Poly bowl, metal bowl guard, twist drain	N				
Metal bowl, sight gauge, twist drain	4				
Metal bowl, sight gauge, pressure fill	8				
Metal bowl, sight gauge, auto fill device	M				
				Fill Options	
			B		With fill plug
			C		With fill plug / nylon sight dome
			F		With body pressure fill
			G		With body pressure fill / nylon sight dome

Suggested LubricantF442 Oil

Petroleum based oil of 100 to 200 SUS viscosity at 100°F (38°C) and an aniline point greater than 200°F (93°C)
 (DO NOT USE OILS WITH ADDITIVES, COMPOUNDED OILS CONTAINING SOLVENTS, GRAPHITE, DETERGENTS, OR SYNTHETIC OILS.)

Most popular.



For inventory, lead times, and kit lookup, visit www.pdnplu.com

Prep-Air® II Products
 Filters
 Coalescers
 Regulators
 Filter / Regulators
 Lubricators
 Combinations
 Accessories

Standard Micro-Mist Lubricators

Material Specifications

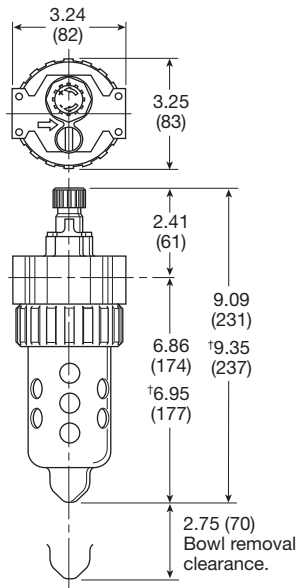
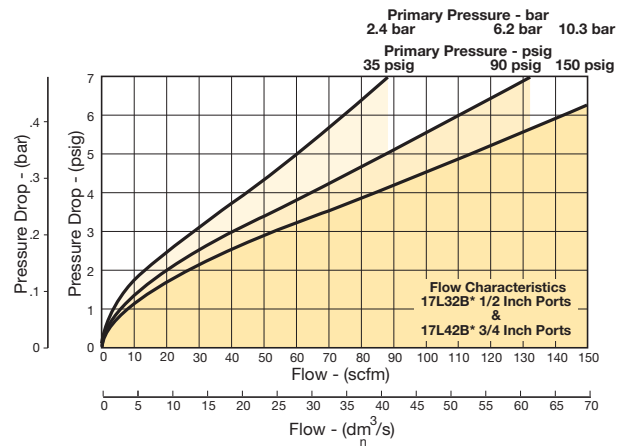
Body	Zinc
Transparent bowl	Polycarbonate
Metal bowl (with sight gauge)	Zinc
Bowl guard	Steel
Collar	Plastic or Metal
Twist drain- body & nut	Plastic
Injector meter block & base assembly	Plastic
Seals	Nitrile
Sight dome	Polycarbonate
Sight gauge	Polyamide (nylon)

Air Preparation Products

Prep-Air® II Series

Flow Charts

17L 1/2" & 3/4" Lubricator



† With twist drain
Inches (mm)

Repair and Service Kits

Adjustment knob	P04121
Bowl guard kit	PS805P
Poly bowl / no drain kit	PS846P
Poly bowl / twist drain kit	PS817P
Poly bowl / pressure fill kit	PS819P
Poly bowl / remote fill kit	PS828P
Metal bowl / sight gauge / twist drain kit	PS829P
Metal bowl / sight gauge / pressure fill kit	PS820P
Twist drain kit	PS512P
Fill cap kit	PS742P
Lubricator service kit	PS748P
Mounting bracket kit	PS843P
Pressure fill adapter kit	PS716P
Pressure fill button	P11912
Remote auto-fill device	PS505CP
Sight dome / fill cap kit	PS739P
Sight dome kit, polycarbonate	PS740P
Sight dome kit, nylon	PS740N
Oil (1 quart)	F442001
Oil (1 gallon)	F442002
Oil (12 quart case)	F442003
Oil (4 gallon case)	F442005

Prep-Air® II
Products



Filters

Coalescers

Regulators

Filter /
Regulators

Lubricators

Combinations

Accessories



For inventory, lead time, and kit lookup, visit www.pdnplu.com

06L Mist Lubricators – Compact

- Proportional oil delivery over a wide range of air flows.
- Precision needle valve assures repeatable oil delivery and provides simple adjustment of delivery rate.
- Bowl can be filled while air line is under pressure.
- Transparent sight dome for 360° visibility.
- Integral 1/4", 3/8", 1/2" ports (NPT, BSPP)



Port size	Description †	Part number
1/4"	Poly bowl, metal guard, no drain	06L12BE
1/4"	Metal bowl, sight gauge, twist drain	06L14BE
3/8"	Poly bowl, metal guard, no drain	06L22BE
3/8"	Metal bowl, sight gauge, twist drain	06L24BE
1/2"	Poly bowl, metal guard, no drain	06L32BE
1/2"	Metal bowl, sight gauge, twist drain	06L34BE

† For polycarbonate bowl and sight dome, see caution in Engineering Section A.

Operating information

Supply pressure (max):		
Plastic bowl		150 psig (10.3 bar)
Metal bowl		250 psig (17.2 bar)
Operating temperature:		
Plastic bowl		32°F to 125°F (0°C to 52°C)
Metal bowl		32°F to 175°F (0°C to 80°C)
Flow capacity†:		
High flow	1/4"	40 scfm (18.9 dm³/s, ANR)
	3/8"	60 scfm (28.3 dm³/s, ANR)
	1/2"	90 scfm (42.5 dm³/s, ANR)
Minimum flow		0.5 2 scfm (0.24 dm³/s, ANR) at 100 psig (6.9 bar)
Bowl capacity:		2.9 oz.
Weight:		1.2 lb (0.5 kg)

† scfm = Standard cubic feet per minute at 90 psig inlet and 5 psig pressure drop.

Ordering information:

06L 1 2 B E

Port Size	Port Type
1/4 inch	Blank
3/8 inch	1*
1/2 inch	NPT
	BSPP

* 1/4 & 3/8 inch meet ISO 1179-1 Standard.

Bowl Options	Engineering Level
Poly bowl, metal bowl guard, no drain	E
Poly bowl, metal bowl guard, pressure fill	Current
Poly bowl, metal bowl guard, auto fill device	
Poly bowl, metal bowl guard, twist drain	
Metal bowl, sight gauge, twist drain	
Metal bowl, sight gauge, pressure fill	
Metal bowl, sight gauge, auto fill device	

Fill Options
B With fill plug
C With fill plug / nylon sight dome
F With body pressure fill
G With body pressure fill / nylon sight dome

Suggested LubricantF442 Oil

Petroleum based oil of 100 to 200 SUS viscosity at 100°F (38°C) and an aniline point greater than 200°F (93°C)

(DO NOT USE OILS WITH ADDITIVES, COMPOUNDED OILS CONTAINING SOLVENTS, GRAPHITE, DETERGENTS, OR SYNTHETIC OILS.)

Most popular.



For inventory, lead times, and kit lookup, visit www.pdnplu.com

Prep-Air® II Products
 Filters
 Coalescers
 Regulators
 Filter / Regulators
 Lubricators
 Combinations
 Accessories

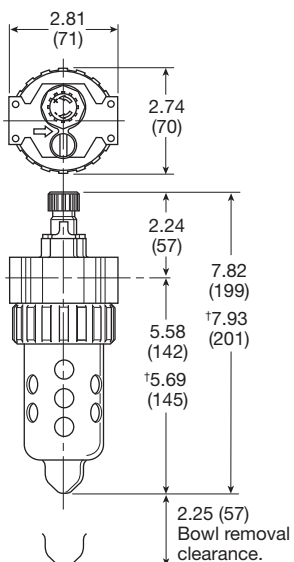
Compact Mist Lubricators

Material Specifications

Body	Zinc
Transparent bowl	Polycarbonate
Metal bowl (with sight gauge)	Zinc
Bowl guard	Steel
Collar	Plastic
Twist drain – body & nut	Plastic
Injector meter block & base assembly	Plastic
Seals	Nitrile
Sight dome	Polycarbonate
Sight gauge	Polyamide (nylon)

Repair and Service Kits

Adjustment knob	P04121
Bowl guard kit	PS705P
Poly bowl / no drain kit	PS746P
Poly bowl / twist drain kit	PS717P
Poly bowl / pressure fill kit	PS719P
Poly bowl / remote fill kit	PS728P
Metal bowl / sight gauge / twist drain kit	PS729P
Metal bowl / sight gauge / pressure fill kit	PS720P
Twist drain kit	PS512P
Fill cap kit	PS741P
Lubricator service kit	PS718P
Mounting bracket kit	PS743P
Pressure fill adapter kit	PS716P
Pressure fill button	P11912
Remote auto-fill device	PS505CP
Sight dome / fill cap kit	PS738P
Sight dome kit, polycarbonate	PS740P
Sight dome kit, nylon	PS740N
Oil (1 quart)	F442001
Oil (1 gallon)	F442002
Oil (12 quart case)	F442003
Oil (4 gallon case)	F442005

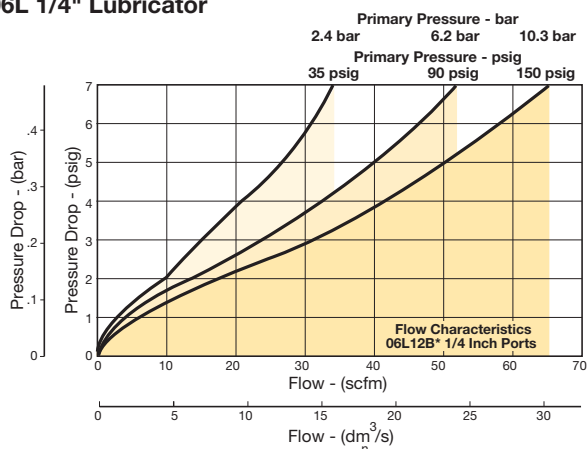


† With twist drain
Inches (mm)

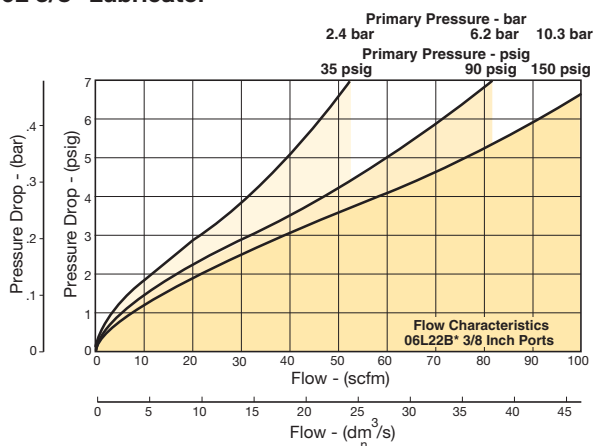
Air Preparation Products Prep-Air® II Series

Flow Charts

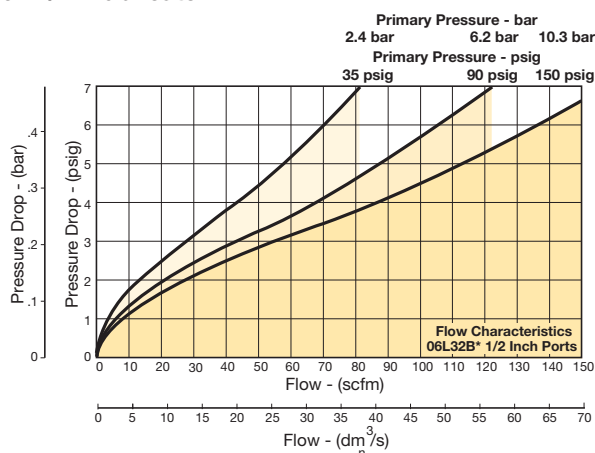
06L 1/4" Lubricator



06L 3/8" Lubricator



06L 1/2" Lubricator



Prep-Air® II
Products



Filters

Coalescers

Regulators

Filter/
Regulators

Lubricators

Combinations

Accessories



For inventory, lead time, and kit lookup, visit www.pdnplu.com

07L Mist Lubricators – Standard

- Proportional oil delivery over a wide range of air flows
- Precision needle valve assures repeatable oil delivery and provides simple adjustment of delivery rate
- Bowl can be filled while air line is under pressure
- Transparent sight dome for 360° visibility
- Integral 1/2", 3/4" ports (NPT, BSPP)



Port size	Description †	Part number
1/2"	Poly bowl, metal guard, no drain	07L32BE
1/2"	Metal bowl, sight gauge, twist drain	07L34BE
3/4"	Poly bowl, metal guard, no drain	07L42BE
3/4"	Metal bowl, sight gauge, twist drain	07L44BE

† For polycarbonate bowl and sight dome, see caution in Engineering Section A.

Operating information

Supply pressure (max):		
Plastic bowl		150 psig (10.3 bar)
Metal bowl		250 psig (17.2 bar)
Operating temperature:		
Plastic bowl		32°F to 125°F (0°C to 52°C)
Metal bowl		32°F to 175°F (0°C to 80°C)
Flow capacity†:		
High flow	1/2"	90 scfm (42.5 dm ³ /s, ANR)
	3/4"	90 scfm (42.5 dm ³ /s, ANR)
Minimum flow		0.5 2 scfm (0.24 dm ³ /s, ANR) at 100 psig (6.9 bar)
Bowl capacity:		6.0 oz.
Weight:		1.9 lb (0.9 kg)

† scfm = Standard cubic feet per minute at 90 psig inlet and 5 psig pressure drop.

Ordering information:

07L	3	2	B	E	
Port Size			Port Type		
1/2 inch	3		Blank	NPT	
3/4 inch	4		1*	BSPP	
			* 1/2 inch meet ISO 1179-1 Standard.		
Bowl Options			Engineering Level		
Poly bowl, metal bowl guard, no drain	2		E	Current	
Poly bowl, metal bowl guard, pressure fill	6		Fill Options		
Poly bowl, metal bowl guard, auto fill device	K		B	With fill plug	
Poly bowl, metal bowl guard, twist drain	N		C	With fill plug / nylon sight dome	
Metal bowl, sight gauge, twist drain	4		F	With body pressure fill	
Metal bowl, sight gauge, pressure fill	8		G	With body pressure fill / nylon sight dome	
Metal bowl, sight gauge, auto fill device	M				

Suggested LubricantF442 Oil

Petroleum based oil of 100 to 200 SUS viscosity at 100°F (38°C) and an aniline point greater than 200°F (93°C)

(DO NOT USE OILS WITH ADDITIVES, COMPOUNDED OILS CONTAINING SOLVENTS, GRAPHITE, DETERGENTS, OR SYNTHETIC OILS.)

Most popular.



For inventory, lead times, and kit lookup, visit www.pdnplu.com

Prep-Air® II Products
 Filters
 Coalescers
 Regulators
 Filter / Regulators
 Lubricators
 Combinations
 Accessories

Standard Mist Lubricators

Material Specifications

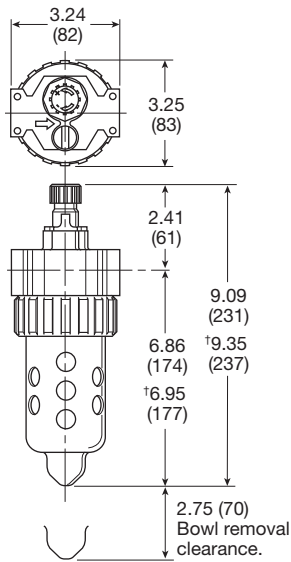
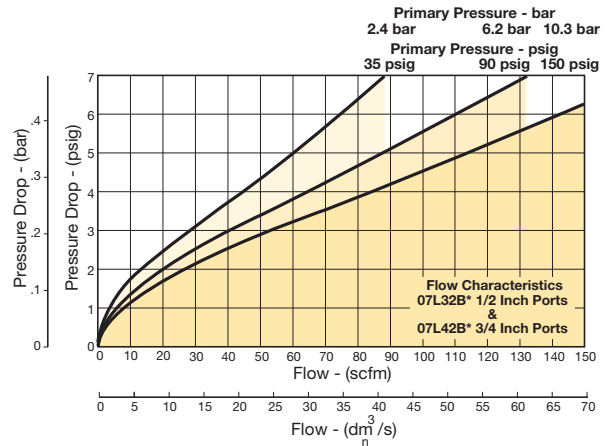
Body	Zinc
Transparent bowl	Polycarbonate
Metal bowl (with sight gauge)	Zinc
Bowl guard	Steel
Collar	Plastic or metal
Twist drain – body & nut	Plastic
Injector meter block & base assembly	Plastic
Seals	Nitrile
Sight dome	Polycarbonate
Sight gauge	Polyamide (nylon)

Air Preparation Products

Prep-Air® II Series

Flow Charts

07L 1/2" & 3/4" Lubricator



† With twist drain
Inches (mm)

Repair and Service Kits

Adjustment knob	P04121
Bowl guard kit	PS805P
Poly bowl / no drain	PS846P
Poly bowl / twist drain	PS817P
Poly bowl / pressure fill	PS819P
Poly bowl / remote fill	PS828P
Metal bowl / sight gauge / twist drain	PS829P
Metal bowl / sight gauge / pressure fill	PS820P
Twist drain kit	PS512P
Fill cap kit	PS741P
Lubricator service kit	PS718P
Mounting bracket kit	PS843P
Pressure fill adapter kit	PS716P
Pressure fill button	P11912
Remote auto-fill device	PS505CP
Sight dome / fill cap kit	PS738P
Sight dome kit, polycarbonate	PS740P
Sight dome kit, nylon	PS740N
Oil (1 quart)	F442001
Oil (1 gallon)	F442002
Oil (12 quart case)	F442003
Oil (4 gallon case)	F442005

Prep-Air® II
Products



Filters

Coalescers

Regulators

Filter /
Regulators

Lubricators

Combinations

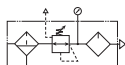
Accessories



For inventory, lead time, and kit lookup, visit www.pdnplu.com

06 Compact, 07 Standard Close Nipped Series Combinations

- Regulator can be mounted with knob in up or down position
- 40 micron filter element standard, 5 micron optional
- Manual twist drain
- Relieving regulator



Close Nipped Combinations

Port	Bowl type ‡	Element type	Filter drain type	Relief type	Lubricator drain type	Series	Part numbers	Series†	Part numbers
							06G		16G
1/4"	Poly / Metal guard	40 micron	Twist	Relieving	None		06G12A13A2BC		16G12A13A2BC
3/8"	Poly / Metal guard	40 micron	Twist	Relieving	None	06G	06G22A13A2BC	16G	16G22A13A2BC
1/2"	Poly / Metal guard	40 micron	Twist	Relieving	None		06G32A13A2BC		16G32A13A2BC
1/2"	Poly / Metal guard	40 micron	Twist	Relieving	None	07G	07G32A13A2BD	17G	17G32A13A2BD
3/4"	Poly / Metal guard	40 micron	Twist	Relieving	None		07G42A13A2BD		17G42A13A2BD

Port	Bowl type ‡	Element type	Filter drain type	Relief type	Lubricator drain type	Series	Model numbers	Series†	Model numbers
							06A		16A
1/4"	Poly / Metal guard	40 micron	Twist	Relieving	None		06A12A13A2BC		16A12A13A2BC
3/8"	Poly / Metal guard	40 micron	Twist	Relieving	None	06A	06A22A13A2BC	16A	16A22A13A2BC
1/2"	Poly / Metal guard	40 micron	Twist	Relieving	None		06A32A13A2BC		16A32A13A2BC
1/2"	Poly / Metal guard	40 micron	Twist	Relieving	None	07A	07A32A13A2BD	17A	17A32A13A2BD
3/4"	Poly / Metal guard	40 micron	Twist	Relieving	None		07A42A13A2BD		17A42A13A2BD

* 06 / 16 Available with port blocks only
 ‡ For polycarbonate bowl, see caution in Engineering Section A
 † 16G / 16A and 17G / 17A are Micro Mist version lubricators

WARNING

Product rupture can cause serious injury.
 Do not connect regulator to bottled gas.
 Do not exceed Maximum primary pressure rating.

CAUTION:

REGULATOR PRESSURE ADJUSTMENT – The working range of knob adjustment is designed to permit outlet pressures within their full range. Pressure adjustment beyond this range is also possible because the knob is not a limiting device. This is a common characteristic of most industrial regulators, and limiting devices may be obtained only by special design. For best performance, regulated pressure should always be set by increasing the pressure up to the desired setting.

Most popular.



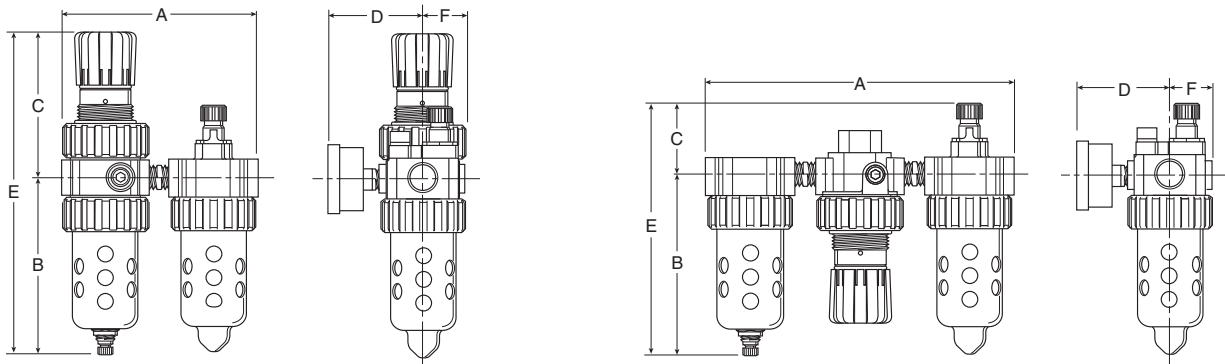
For inventory, lead times, and kit lookup, visit www.pdnplu.com

Prep-Air® II Products
 Filters
 Coalescers
 Regulators
 Filter / Regulators
 Lubricators
 Combinations
 Accessories

Ordering information:

Series		Port Size		Filter Bowl Options		Filter Element		Engineering Level		Lubricator Body Options		Lubricator Bowl Options		Relief		Pressure Range		
Micro-mist compact, 3-unit	16A	1/4 inch	1	Poly bowl, metal bowl guard, twist drain	2	40 Micron	A	C	06A, 16A, 06G, 16G	B	2	Poly bowl, metal bowl guard, no drain	A	Without gauge	11	60 psig	16	60 psig
Micro-mist standard, 3-unit	17A	3/8 inch (06/16)	2	Poly bowl, metal bowl guard, auto float drain	6	5 Micron	B	D	07A, 17A, 07G, 17G	F	6	Poly bowl, bowl guard, pressure fill	L	With gauge	13	125 psig	18	125 psig
Micro-mist compact, 2-unit	16G	1/2 inch	3	Metal bowl, twist drain	3						4	Poly bowl, metal bowl guard, auto fill			15*	250 psig	21*	250 psig
Micro-mist standard, 2-unit	17G	3/4 inch (07/17)	4	Metal bowl, sight gauge, auto float drain	4						8	Metal bowl, sight gauge, twist drain						
Mist compact, 3-unit	06A			Metal bowl, auto float drain	7						M	Metal bowl, sight gauge, pressure fill						
Mist standard, 3-unit	07A			Metal bowl, sight gauge, auto float drain	8													
Mist compact, 2-unit	06G																	
Mist standard, 2-unit	07G																	

* Only available on metal bowl.



06G, 16G Series

A	B	C	D	E	F
6.13 (156)	5.69 (145)	4.69 (119)	3.18 (81)	10.38 (264)	1.37 (35)

07G, 17G Series

A	B	C	D	E	F
6.99 (178)	6.97 (177)	4.79 (122)	3.44 (87)	11.76 (299)	1.63 (41)

Inches (mm)

• All dimensions nominal.

06A, 16A Series

A	B	C	D	E	F
9.45 (240)	5.69 (145)	2.24 (57)	3.18 (81)	7.93 (201)	1.37 (35)

07A, 17A Series

A	B	C	D	E	F
10.74 (2738)	6.97 (177)	2.41 (61)	3.44 (87)	9.38 (238)	1.63 (41)

Inches (mm)

• All dimensions nominal.

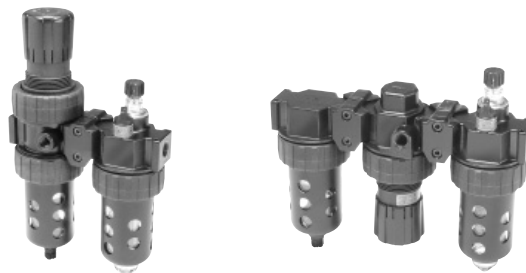


For inventory, lead time, and kit lookup, visit www.pdnplu.com

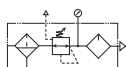


06 Compact, 07 Standard Modular Series Combinations

- Regulator can be mounted with knob in up or down position
- 40 micron filter element standard, 5 micron optional
- Manual twist drain
- Relieving regulator



Modular Combinations



Port	Bowl type ‡	Element type	Filter drain type	Relief type	Lubricator drain type	Series	Part numbers	Series †	Part numbers
1/4"	Poly / metal guard	40 micron	Twist	Relieving	None	06H	06H12A13A2BC	16H	16H12A13A2BC
3/8"	Poly / metal guard	40 micron	Twist	Relieving	None		06H22A13A2BC		16H22A13A2BC
1/2" *	Poly / metal guard	40 micron	Twist	Relieving	None		06H32A13A2BCG		16H32A13A2BCG
1/2"	Poly / metal guard	40 micron	Twist	Relieving	None	07H	07H32A13A2BD	17H	17H32A13A2BD
3/4"	Poly / metal guard	40 micron	Twist	Relieving	None		07H42A13A2BD		17H42A13A2BD



06H Shown

Port	Bowl type ‡	Element type	Filter drain type	Relief type	Lubricator drain type	Series	Model numbers	Series †	Model numbers
1/4"	Poly / metal guard	40 micron	Twist	Relieving	None	06B	06B12A13A2BC	16B	16B12A13A2BC
3/8"	Poly / metal guard	40 micron	Twist	Relieving	None		06B22A13A2BC		16B22A13A2BC
1/2" *	Poly / metal guard	40 micron	Twist	Relieving	None		06B32A13A2BCG		16B32A13A2BCG
1/2"	Poly / metal guard	40 micron	Twist	Relieving	None	07B	07B32A13A2BD	17B	17B32A13A2BD
3/4"	Poly / metal guard	40 micron	Twist	Relieving	None		07B42A13A2BD		17B42A13A2BD



06B Shown

* 06 / 16 Available with port blocks only
 ‡ For polycarbonate bowl, see caution in Engineering Section A
 † 16H / 16B and 17H / 17B are Micro Mist version lubricators

WARNING

**Product rupture can cause serious injury.
 Do not connect regulator to bottled gas.
 Do not exceed Maximum primary pressure rating.**

CAUTION:

REGULATOR PRESSURE ADJUSTMENT – The working range of knob adjustment is designed to permit outlet pressures within their full range. Pressure adjustment beyond this range is also possible because the knob is not a limiting device. This is a common characteristic of most industrial regulators, and limiting devices may be obtained only by special design. For best performance, regulated pressure should always be set by increasing the pressure up to the desired setting.

Most popular.



For inventory, lead times, and kit lookup, visit www.pdnplu.com

Prep-Air® II Products
 Filters
 Coalescers
 Regulators
 Filter / Regulators
 Lubricators
 Combinations
 Accessories

Ordering information:

16B	1	2	A	13	A	2	B	C	
------------	----------	----------	----------	-----------	----------	----------	----------	----------	----------

Series	
Micro-mist compact, 3-unit	16B
Micro-mist standard, 3-unit	17B
Micro-mist compact, 2-unit	16H
Micro-mist standard, 2-unit	17H
Mist compact, 3-unit	06B
Mist standard, 3-unit	07B
Mist compact, 2-unit	06H
Mist standard, 2-unit	07H

Port Size	
1/4 inch (06/16)	1
3/8 inch	2
1/2 inch (06/16 with port blocks)	3
3/4 inch (07/17)	4

Filter Bowl Options	
Poly bowl, metal bowl guard, twist drain	2
Poly bowl, metal bowl guard, auto float drain	6
Metal bowl, twist drain	3
Metal bowl, sight gauge, auto float drain	4
Metal bowl, auto float drain	7
Metal bowl, sight gauge, auto float drain	8

Filter Element	
40 Micron	A
5 Micron	B

Engineering Level	
C	06B, 16B, 06H, 16H current
D	07B, 17B, 07H, 17H current

Lubricator Body Options	
B	With fill plug
F	With body pressure fill

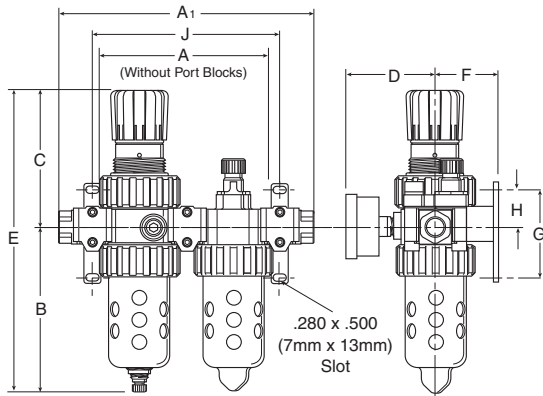
Lubricator Bowl Options	
2	Poly bowl, metal bowl guard, no drain
6	Poly bowl, bowl guard, pressure fill
K	Poly bowl, metal bowl guard, auto fill
N	Poly bowl, metal bowl guard, twist drain
4	Metal bowl, sight gauge, twist drain
8	Metal bowl, sight gauge, pressure fill
M	Metal bowl, sight gauge, auto fill

Relief	
A	Relieving
L	Non-relieving

Pressure Range			
Without gauge		With gauge	
11	60 psig	16	60 psig
13	125 psig	18	125 psig
15*	250 psig	21*	250 psig

Modular Options	
Blank	No port blocks
A	with wall mounting bracket & port block
B	with mounting bracket, lockout & port block
C*	with mounting bracket & lockout
G	with port blocks
J	with lockout (no port blocks)
K	with lockout & port blocks
W	with mounting bracket

* 06/16 Series 1/2" units not available with option C, use option B.



06H, 16H Series

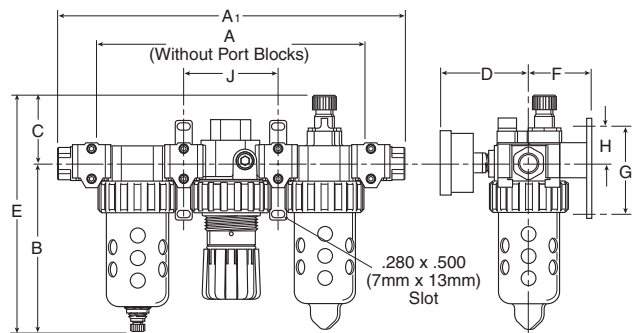
A	A1	B	C	D	E	F	G	H	J
6.10	9.04	5.69	4.69	3.18	10.38	2.00	3.58	1.40	6.65
(155)	(230)	(145)	(119)	(81)	(264)	(51)	(91)	(36)	(169)

07H, 17H Series

A	A1	B	C	D	E	F	G	H	J
7.00	10.28	6.97	4.79	3.44	11.76	2.09	3.58	1.40	7.51
(178)	(261)	(177)	(122)	(87)	(299)	(53)	(91)	(36)	(191)

Inches (mm)

• All dimensions nominal.



06B, 16B Series

A	A1	B	C	D	E	F	G	H	J
9.46	12.39	5.69	2.24	3.18	7.93	2.00	3.58	1.40	3.33
(240)	(315)	(145)	(57)	(81)	(202)	(51)	(91)	(36)	(85)

07B, 17B Series

A	A1	B	C	D	E	F	G	H	J
10.75	14.03	6.97	2.41	3.44	9.38	2.18	3.58	1.40	3.76
(273)	(356)	(177)	(61)	(87)	(238)	(55)	(91)	(36)	(95)

Inches (mm)

• All dimensions nominal.



For inventory, lead time, and kit lookup, visit www.pdnplu.com



Modular Accessories

Service Kits

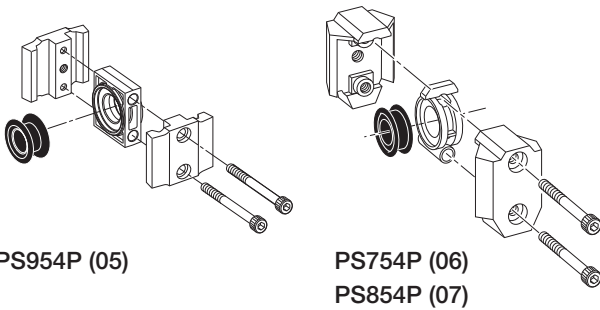
Body connector, (05 series)	PS954P
Body connector, (06 series)	PS754P
Body connector, (07 series)	PS854P
Wall mounting kits (05 series)	PS955P
Wall mounting kits (06 & 07 series)	PS755P
Lockout valves, (06 series)	PS756P
Lockout valves, (07 series)	PS856P
Modular manifold block 3/8" port, (06 series)	PS757P
Modular manifold block 1/2" port, (07 series)	PS857P

Body Connectors

Body connectors allow you to easily assemble and disassemble modular combinations.

Body connectors are required whenever you assemble two or more pieces together.

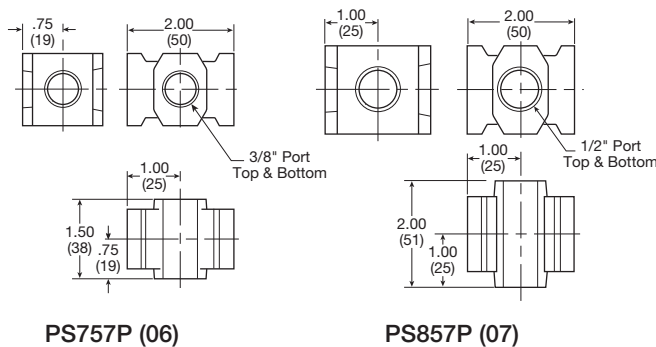
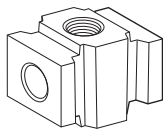
Each kit includes one set.



Modular Manifold Block

A modular manifold block can be used between any two modular units to give additional outlet ports. The manifold block provides 2 additional outlets in 3/8" and 1/2" sizes. Any standard pipe plug can be used to close off unused ports.

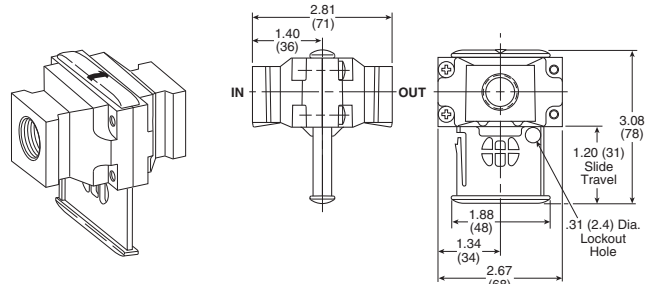
NOTE: Body connectors are not supplied with manifold blocks.



Lockout Valves

Lockout Valves provide positive shut-off and exhaust capability to isolate Modular units so they can be easily removed from the line and can be locked in a closed position. Center position can be used as a slow start. Accepts #3 padlock.

NOTE: Body connectors are not supplied with lockout valves.

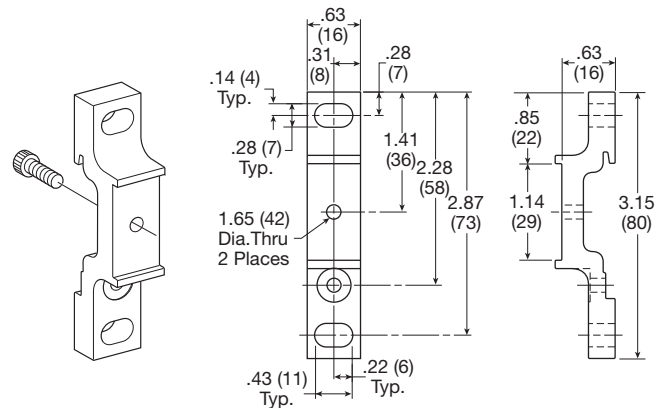


Wall Mounting Kits

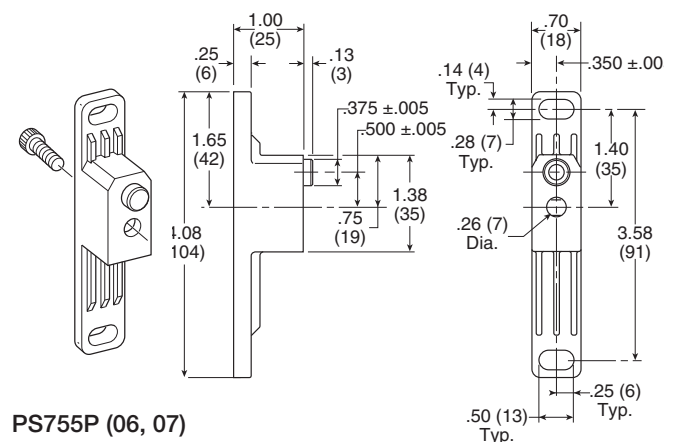
Wall mounting kits are available for mounting your modular assemblies and can be assembled and used with any standard body connector set.

Since modular combinations are always identical in size, you can predrill for wall mounting on your equipment.

Kit includes 1 assembly.



PS955P (05)



PS755P (06, 07)

Prep-Air® II
Products



Filters

Coalescers

Regulators

Filter /
Regulators

Lubricators

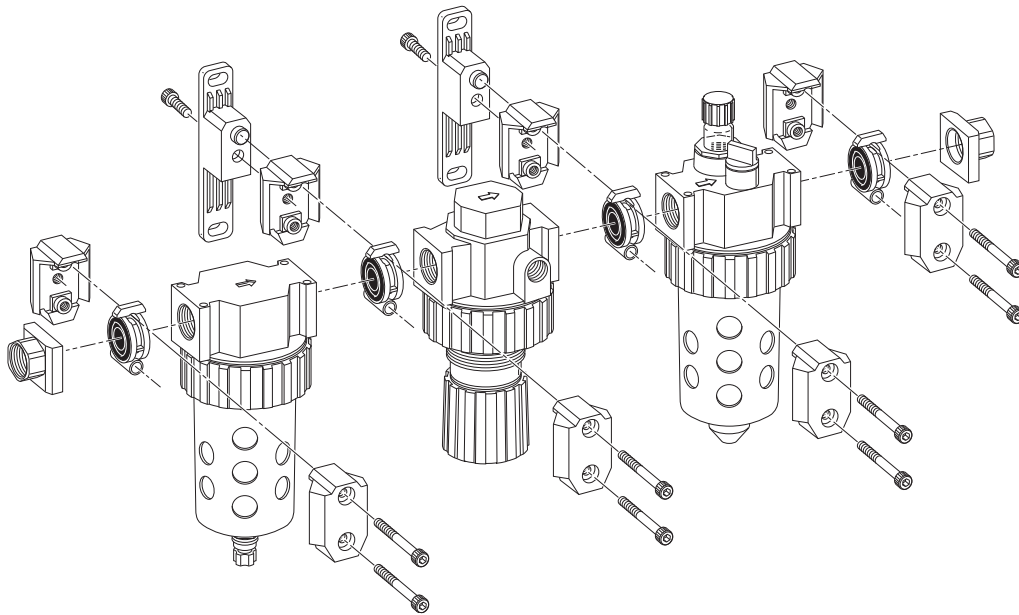
Combinations

Accessories



For inventory, lead times, and kit lookup, visit www.pdnplu.com

Modular Accessories – 06 Compact & 07 Standard Series



Port Block Connector Kits

06 Series

1/4" Port block kits, NPT	PS750P
1/4" Port block kits, BSPP	PS765P †
1/4" Port block kits, BSPT	PS761P
3/8" Port block kits, NPT	PS751P
3/8" Port block kits, BSPP	PS766P †
3/8" Port block kits, BSPT	PS762P
1/2" Port block kits, NPT	PS752P*
1/2" Port block kits, BSPP	PS767P* †
1/2" Port block kits, BSPT	PS799P*

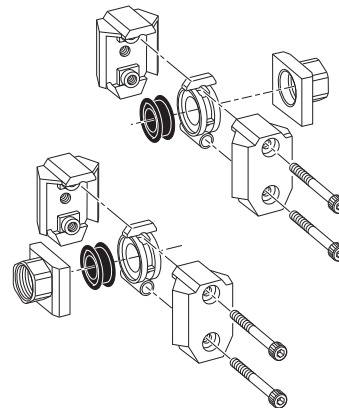
07 Series

1/4" Port block kits, NPT	PS850P
1/4" Port block kits, BSPP	PS865P
1/4" Port block kits, BSPT	PS861P
3/8" Port block kits, NPT	PS851P
3/8" Port block kits, BSPP	PS866P
3/8" Port block kits, BSPT	PS862P
1/2" Port block kits, NPT	PS852P
1/2" Port block kits, BSPP	PS867P ‡
1/2" Port block kits, BSPT	PS863P
3/4" Port block kits, NPT	PS853P
3/4" Port block kits, BSPP	PS860P
3/4" Port block kits, BSPT	PS864P

* Use 1/4 or 3/8 ported bodies.

† 1/4, 3/8 & 1/2 inch meet ISO 1179-1 Standard.

‡ 1/2 inch meets ISO 1179-1 Standard.



Port block connectors allow you to make threaded port connections to modular units and are available in various port sizes to match your system requirements.

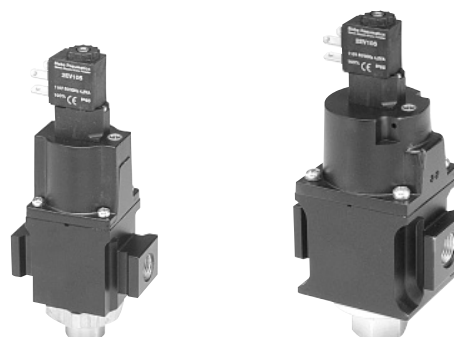
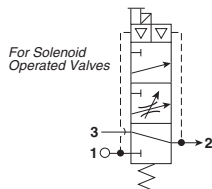
Each kit includes all the necessary pieces to make two port connections.



For inventory, lead time, and kit lookup, visit www.pdnplu.com

06S & 07S Soft Start / Quick Dump Valve

- Combines Soft Start and Quick Dump Valve in the same body
- Large flow capacities up to 5.7 Cv
- Inline or Modular mounting
- Soft Start flow easily adjusted



06S

07S

Port size	Description	Part number
3/8"	24 VDC, 30 to 145 psi	06S249B
3/8"	120/60 Hz, 30 to 145 psi	06S253B
1/2"	24 VDC, 30 to 145 psi	07S349B
1/2"	120/60 Hz, 30 to 145 psi	07S353B

Operation

When the valve is installed into the pneumatic system and pilot operator receives no signal, the air is blocked at Port 1. When a pilot signal is received at pilot operator, the valve shifts closing the connection between Ports 2 and 3. At the same time air flow begins between Ports 1 and 2 at a slow rate controlled by the needle valve located on the top of the valve. When the down stream pressure reaches approximately 60% of the supply pressure, the main valve spool opens allowing full flow through the valve into the system. If pilot signal or system pressure is lost, the valve returns to its initial state venting the down stream pressure through Port 3.

Pressure supply piping must be the same size as the inlet port or larger to insure that the pilot valve receives sufficient pressure supply during high flow conditions.

The valves pilot signal is through a solenoid pilot mounted on the head. The valve should be mounted downstream of the FRL and with the soft start adjustment needle easily accessible.

CAUTION: Do not use synthetic, reconstituted, or oils with an alcohol content or detergent additive.

CAUTION: Do not restrict the inlet of valves.

Operating information

Exhaust ports:	06S	1/2 inch
	07S	3/4 inch
Inlet and outlet ports:	06S	3/8 inch
	07S	1/2 inch
Maximum pressure:		
Standard coil		145 psig (10.0 bar)
High pressure coil		200 psig (13.8)
Operating pressure (min):		30 psig (20.1 bar)
Operating temperature:		40°F to 120°F (4°C to 49°C)
Weight:	06S	2.25 lb (1.02 kg)
	07S	3.75 lb (1.70 kg)

Ordering information:

Series	06S	2	53	B	Option
Soft start / quick dump valve	06S				Blank NPT
Soft start / quick dump valve	07S				1* BSPP G
		Port Size			* 3/8 & 1/2 inch meet ISO 1179-1 standard.
		3/8 inch (06S)	2		
		1/2 inch (07S)	3		
				Engineering Level	
				B	Current
		Operator / Voltage			
		24VDC, 30 to 145 psi	49*		
		120/60 Hz, 30 to 145 psi	53*		
		24VDC, 145 to 200 psi	69†		
		120/60 Hz, 145 to 200 psi	73†		
		M12 Male connector, 4 pole, 24VDC	MD		
		* For voltage options 49 and 53, use 22mm connectors			
		† For voltage options 69 and 73, use 30mm connectors			

Most popular.



For inventory, lead times, and kit lookup, visit www.pdnplu.com

Soft Start / Quick Dump Valve

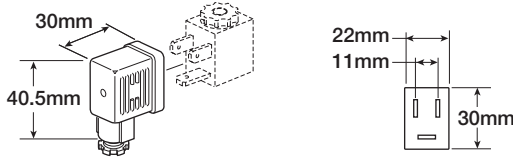
Material Specifications

Body	Aluminum
Bottom Plug	Brass

Repair and Service Kits

06S repair kit	PHRKSC75
07S repair kit	PHRKSC105
06 modular body connectors	PS754P
07 modular body connectors	PS854P
1/2" exhaust silencer	ES50MB
3/4" exhaust silencer	ES75MB

22mm Rectangular 3-Pin



Description	Connector	Connector with 6' (2m) cord
Unlighted	PS2429BP	PS2429JBP
Light – 24VDC	PS243079BP	PS2430J79BP*
Light – 120V/60Hz	PS243083BP	PS2430J83BP*

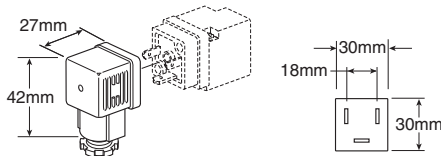
* LED with surge suppression.

Note: Max ø6.5mm cable size required for connector w/o 6' (2m) cord. IP65 rated when properly installed.

Engineering Data:

Conductors: 2 poles plus ground; Cable range (connector only): 6 to 8mm (0.24 to 0.31 Inch); Contact Spacing: 11mm

30mm Square 3-Pin



Description	Connector	Connector with 6' (2m) cord
Unlighted	PS2028BP	PS2028JBP
Light – 24VDC	PS203279BP	PS2032J79BP*
Light – 120V/60Hz	PS203283BP	PS2032J83BP*

* LED with surge suppression.

Note: Max ø6.5mm cable size required for connector w/o 6' (2m) cord. IP65 rated when properly installed.

Engineering Data:

Conductors: 2 poles plus ground; Cable range (connector only): 8 to 10mm (0.31 to 0.39 Inch); Contact spacing: 18mm

Air Preparation Products Prep-Air® II Series

Performance Characteristics

06S / 07S

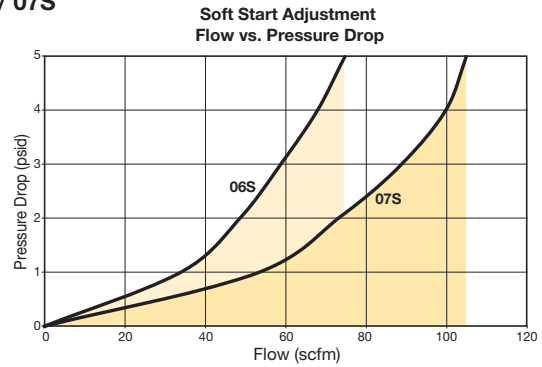


Table 1: Shows the relationship between the inlet pressure and downstream pressure at which the main valve opens.

Inlet pressure psig	Downstream pressure psig	
	06S	07S
75	55	52
100	67	68
125	80	82

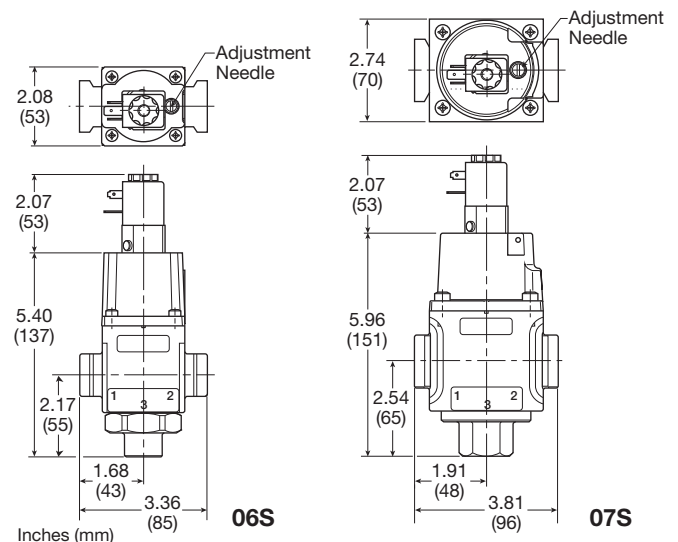
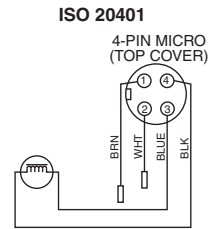
Table 2: Product forward flow Cv and exhaust flow Cv.

Series	Flow Cv	Exhaust flow Cv
06S	4.1	3.4
07S	5.7	4.6

Connections

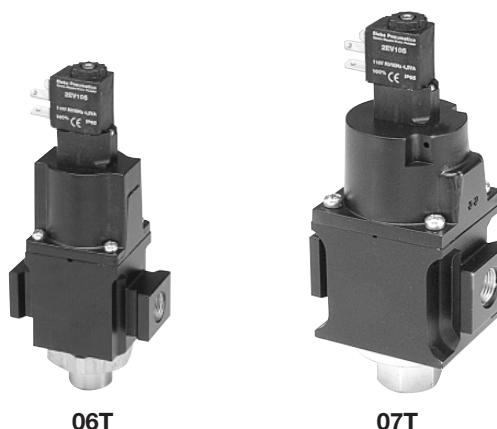
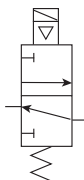
Central M12 Male Connector, 4 Pole

Pin number	Function	Color
1	24V Supply	Brown
2	0 to 10V or 4 to 20mA Control Signal Ri = 100k Ω	White
3	0V (GND) Supply	Blue
4	24V Alarm Output Signal	Black



06T & 07T Solenoid Quick Dump Valve

- Shuts off incoming pressure while rapidly exhausting downstream pressure
- Large exhaust flow capacities up to 5.0 Cv
- Solenoid operation
- Non-locking manual override
- Inline or Modular Mounting



Port size	Description	Part number
3/8"	24 VDC, 30 to 145 psi, NPT	06T249A
3/8"	120/60 Hz, 30 to 145 psi, NPT	06T253A
1/2"	24 VDC, 30 to 145 psi, NPT	07T349A
1/2"	120/60 Hz, 30 to 145 psi, NPT	07T353A

Operating information

Exhaust ports:	06T	1/2 inch
	07T	3/4 inch
Inlet and outlet ports:	06T	3/8 inch
	07T	1/2 inch
Maximum pressure:		
Standard coil		145 psig (10.0 bar)
High pressure coil		200 psig (13.8)
Operating pressure (min):		30 psig (20.1 bar)
Operating temperature:		40°F to 120°F (4°C to 49°C)
Weight:	06T	2.25 lb (1.02 kg)
	07T	3.75 lb (1.70 kg)

Operation

The solenoid quick dump valves are high flow, normally closed, 3-Port, 2-Position directional control valves.

Upon energizing the solenoid, inlet air is applied to the top of the piston. The piston pushes against the spring and opens the main valve providing full flow air to the downstream. When the solenoid is de-energized, the main valve closes allowing downstream air to exhaust rapidly through the bottom plug. The bottom plug is tapped so that exhaust may be piped away or fitted with a muffler.

CAUTION: Do not use synthetic, reconstituted, or oils with an alcohol content or detergent additive.

CAUTION: Do not restrict the inlet of valves having an internal pilot supply. Pressure supply piping must be the same size as the inlet port or larger to insure that the pilot valve receives sufficient pressure supply during high flow conditions.

Ordering information:

Series	06T	2	53	A	Option
Solenoid quick dump valve	06T				Blank NPT
Solenoid quick dump valve	07T				1* BSPP G
		Port Size			* 3/8 & 1/2 inch meet ISO 1179-1 standard.
		3/8 inch (06T)	2		
		1/2 inch (07T)	3		
				Engineering Level	
				A	Current
		Operator / Voltage			
		24VDC, 30 to 145 psi	49*		
		120/60 Hz, 30 to 145 psi	53*		
		24VDC, 145 to 200 psi	69†		
		120/60 Hz, 145 to 200 psi	73†		
		M12 Male connector, 4 pole, 24VDC	MD		
		* For voltage options 49 and 53, use 22mm connectors			
		† For voltage options 69 and 73, use 30mm connectors			

Most popular.



For inventory, lead times, and kit lookup, visit www.pdnplu.com

Solenoid Quick Dump Valve

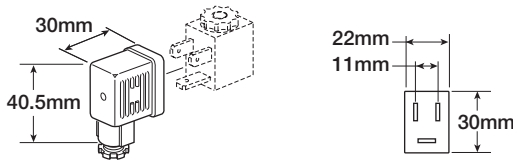
Material Specifications

Body	Aluminum
Bottom plug	Brass

Repair and Service Kits

06T repair kit	PHRKS75
07T repair kit	PHRKS105
06 modular body connectors	PS754P
07 modular body connectors	PS854P
1/2" exhaust silencer	ES50MB
3/4" exhaust silencer	ES75MB

22mm Rectangular 3-Pin



Description	Connector	Connector with 6' (2m) Cord
Unlighted	PS2429BP	PS2429JBP
Light – 24VDC	PS243079BP	PS2430J79BP*
Light – 120V/60Hz	PS243083BP	PS2430J83BP*

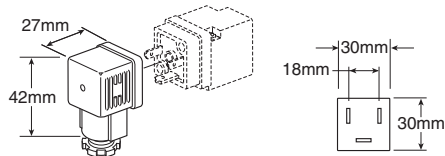
* LED with surge suppression.

Note: Max ø6.5 mm cable size required for connector w/o 6' (2m) cord. IP65 rated when properly installed.

Engineering Data:

Conductors: 2 Poles Plus Ground; Cable Range (Connector Only): 6 to 8 mm (0.24 to 0.31 Inch); Contact Spacing: 11mm

30mm Square 3-Pin



Description	Connector	Connector with 6' (2m) Cord
Unlighted	PS2028BP	PS2028JBP
Light – 24VDC	PS203279BP	PS2032J79BP*
Light – 120V/60Hz	PS203283BP	PS2032J83BP*

* LED with surge suppression.

Note: Max ø6.5 mm cable size required for connector w/o 6' (2m) cord. IP65 rated when properly installed.

Engineering Data:

Conductors: 2 Poles Plus Ground; Cable Range (Connector Only): 8 to 10mm (0.31 to 0.39 Inch); Contact Spacing: 18 mm

Air Preparation Products Prep-Air® II Series

Performance Characteristics

06T / 07T

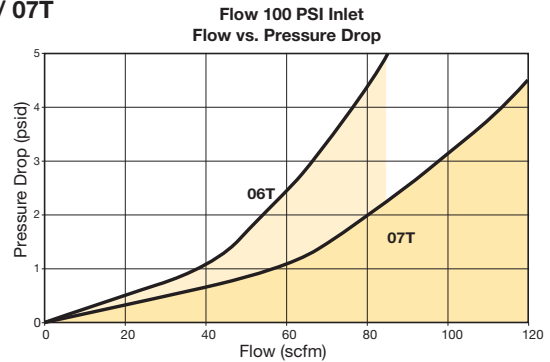


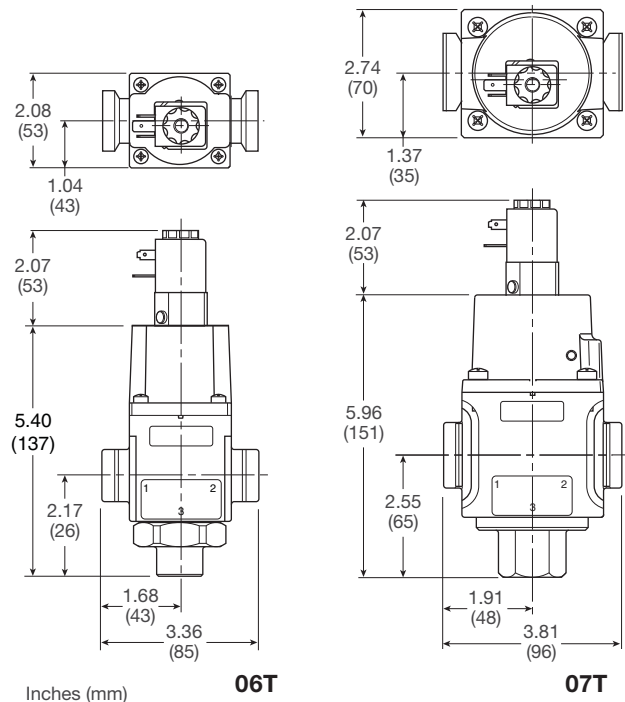
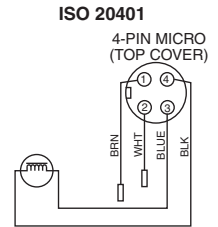
Table 2: Product forward flow Cv (1 to 2).

Series	Flow Cv	Exhaust Flow Cv
06T	3.7	4.1
07T	5.5	5.0

Connections

Central M12 Male Connector, 4 Pole

Pin Number	Function	Color
1	24V Supply	Brown
2	0 to 10V or 4 to 20mA Control Signal Ri = 100k Ω	White
3	0V (GND) Supply	Blue
4	24V Alarm Output Signal	Black

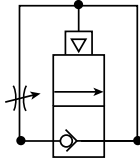


For inventory, lead time, and kit lookup, visit www.pdnplu.com



06P & 07P Auto Pilot Soft Start Valve

- Smooth start-up of pneumatic system
- Air pilot operation
- Large flow capacities up to 5.5 Cv
- Inline or Modular Mounting



06P



07P

Port size	Description	Part number
3/8"	NPT	06P2A
1/2"	NPT	07P3A

Operating information

Maximum pressure:	300 psig (20.7)
Operating pressure (Min):	30 psig (20.1 bar)
Operating temperature:	40°F to 120°F (4°C to 49°C)
Weight:	06P 2.75 lb (1.25 kg) 07P 4.50 lb (2.04 kg)

Operation

When pressure is supplied to the inlet port, gradual filling of the downstream system occurs through the adjustable needle valve. The piston opens the main valve when the downstream pressure reaches approximately 60% of the supply pressure. The ramp up time to reach the switch over pressure is adjustable via the needle valve in the cover.

The Auto pilot soft start valve is not intended to be used as a shut off valve and should always be placed after a shut off valve.

CAUTION: Do not use synthetic, reconstituted, or oils with an alcohol content or detergent additive.

CAUTION: Do not restrict the inlet of valves having an internal pilot supply. Pressure supply piping must be the same size as the inlet port or larger to insure that the pilot valve receives sufficient pressure supply during high flow conditions.

Ordering information:

06P	2	A	□											
<table border="1"> <thead> <tr><th>Series</th></tr> </thead> <tbody> <tr><td>Auto pilot soft start valve 06P</td></tr> <tr><td>Auto pilot soft start valve 07P</td></tr> </tbody> </table>	Series	Auto pilot soft start valve 06P	Auto pilot soft start valve 07P	<table border="1"> <thead> <tr><th>Port Size</th></tr> </thead> <tbody> <tr><td>3/8 inch (06P) 2</td></tr> <tr><td>1/2 inch (07P) 3</td></tr> </tbody> </table>	Port Size	3/8 inch (06P) 2	1/2 inch (07P) 3	<table border="1"> <thead> <tr><th>Option</th></tr> </thead> <tbody> <tr><td>Blank NPT</td></tr> <tr><td>1* BSPP G</td></tr> </tbody> </table> <p>* 3/8 & 1/2 inch meet ISO 1179-1 standard.</p>	Option	Blank NPT	1* BSPP G	<table border="1"> <thead> <tr><th>Engineering Level</th></tr> </thead> <tbody> <tr><td>A Current</td></tr> </tbody> </table>	Engineering Level	A Current
Series														
Auto pilot soft start valve 06P														
Auto pilot soft start valve 07P														
Port Size														
3/8 inch (06P) 2														
1/2 inch (07P) 3														
Option														
Blank NPT														
1* BSPP G														
Engineering Level														
A Current														

□ Most popular.



For inventory, lead times, and kit lookup, visit www.pdnplu.com



Auto Pilot Soft Start Valve

Material Specifications

Body	Aluminum
Bottom plug, 06P	Brass
Bottom plug, 07P	Zinc

Repair and Service Kits

06P repair kit	PHRKSS75
07P repair kit	PHRKSS105
06 modular body connectors	PS754P
07 modular body connectors	PS854P

Air Preparation Products Prep-Air® II Series

Performance Characteristics

06P / 07P

Soft Start Adjustment
Flow vs. Pressure Drop

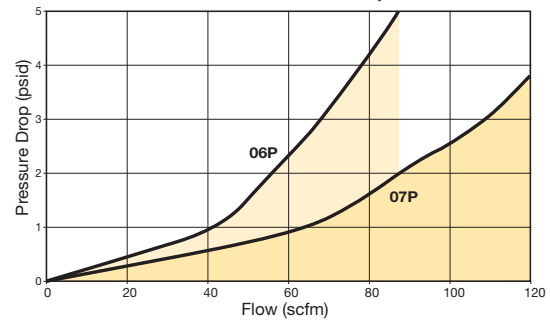


Table 1: Shows the relationship between the inlet pressure and downstream pressure at which the main valve opens.

Inlet Pressure psig	Downstream Pressure psig	
	06P	07P
75	45	25
100	60	33
125	75	38
150	85	45

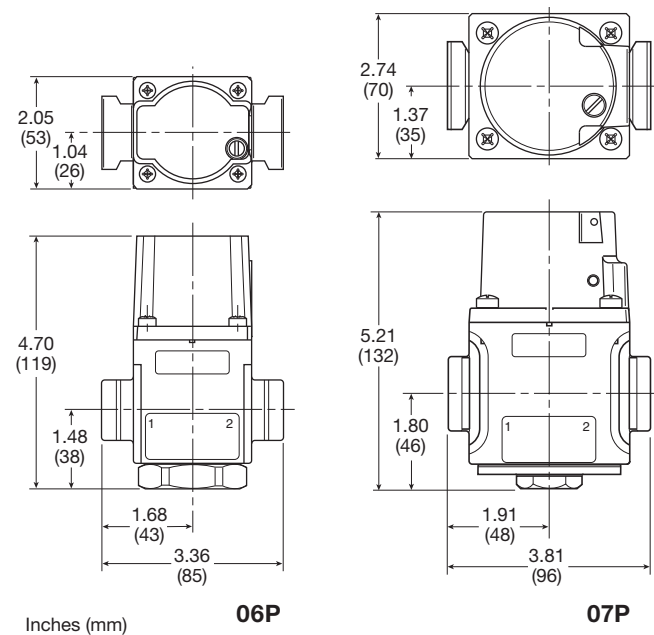


Table 2: Product forward flow Cv (1 to 2).

Series	Flow Cv
06P	3.8
07P	5.5

Prep-Air® II
Products



Filters

Coalescers

Regulators

Filter /
Regulators

Lubricators

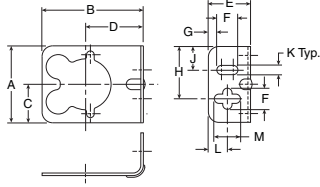
Combinations

Accessories

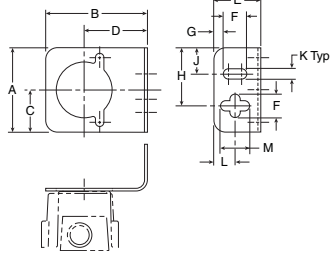


For inventory, lead time, and kit lookup, visit www.pdnplu.com

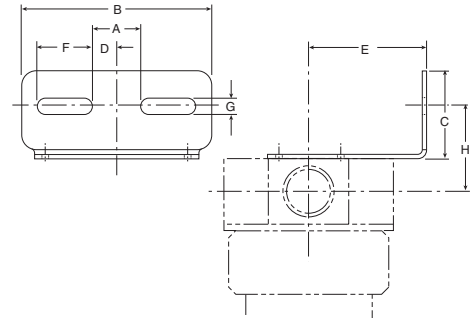
Mounting Bracket Kits



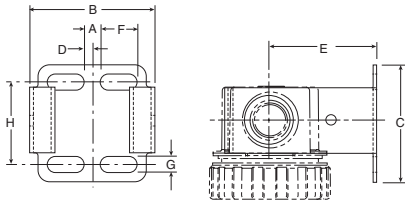
PS417BP
(Includes Panel Mount Nut)



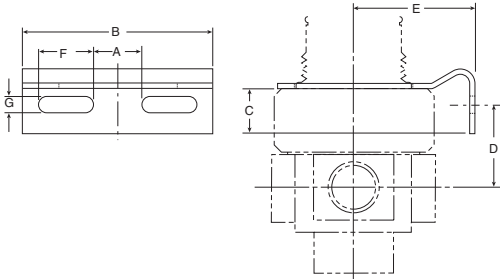
PS419
(Includes Panel Mount Nut)



PS743P, PS843P

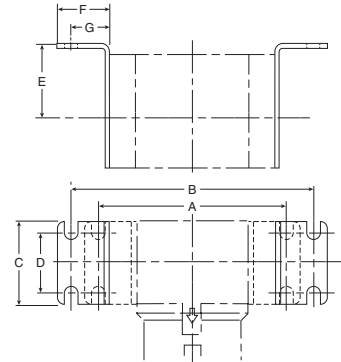


PS943P



PS707P & PS807P
(Includes Panel Mount Nut)

PS963P
(Includes Aluminum Panel Mount Nut)



P3NKA00MW

Dimensions

A	B	C	D	E	F	G	H	J	K	L	M	Kit
1.80 (46)	2.37 (60)	0.90 (23)	1.35 (34)	1.00 (25)	0.50 (13)	0.20 (5)	1.24 (31)	0.56 (14)	0.22 (6)	0.45 (11)	0.62 (16)	PS417BP (10F, 14F, P3A, 14R, 14E)
1.80 (46)	2.17 (55)	0.90 (23)	1.35 (34)	1.00 (25)	0.50 (13)	0.20 (5)	1.24 (31)	0.56 (14)	0.22 (6)	0.45 (11)	0.62 (16)	PS419 (04L)
0.84 (21)	3.25 (83)	1.50 (38)	0.42 (11)	2.00 (51)	0.94 (24)	0.28 (7)	1.44 (37)	—	—	—	—	PS743P (06F, 11F, 06L, 16L)
1.00 (25)	3.94 (100)	1.57 (40)	0.50 (13)	2.19 (56)	1.25 (32)	0.28 (7)	1.68 (43)	—	—	—	—	PS843P (07F, 12F, 07L, 17L)
0.28 (7)	2.12 (54)	2.00 (51)	0.14 (4)	1.85 (47)	0.63 (16)	0.28 (7)	1.41 (36)	—	—	—	—	PS943P (05F, 15F, 15L)
0.84 (21)	2.59 (66)	0.49 (12)	1.02 (26)	1.85 (47)	0.61 (15)	0.28 (7)	—	—	—	—	—	PS963P (05R, 10R, 05E, 27E)
0.84 (21)	3.26 (83)	0.77 (20)	1.46 (37)	2.00 (51)	0.94 (24)	0.28 (7)	—	—	—	—	—	PS707P (06R, 06E, 11R)
1.00 (25)	3.94 (100)	0.65 (17)	1.68 (43)	2.19 (56)	1.25 (32)	0.28 (7)	—	—	—	—	—	PS807P (07R, 07E, 12R)
6.22 (158)	8.19 (208)	2.75 (70)	1.97 (50)	2.36 (60)	1.77 (45)	1.30 (33)	—	—	—	—	—	P3NKA00MW (P3NF, P3NR, P3NE, P3NL)

inches (mm)

Prep-Air® II
Products



Filters

Coalescers

Regulators

Filter /
Regulators

Lubricators

Combinations

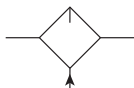
Accessories



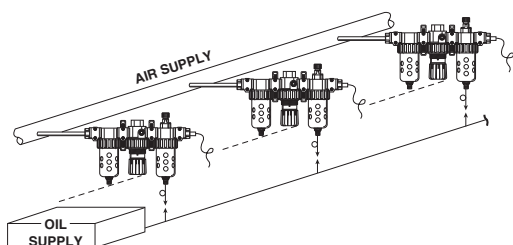
For inventory, lead times, and kit lookup, visit www.pdnplu.com

Remote Auto-Fill Device

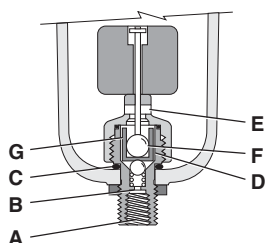
- Wide operating range (oil supply to inlet may be 30 to 270 psig; air operating pressure depends on bowl used)
- Rugged polyurethane float design
- Complete field conversion kit (internal components only)
- Adaptable on polycarbonate and metal bowls already in service (must supply lubricator housing in order to retrofit)
- Oil supply strainer standard
- Fits 06L / 16L and 07L / 17L series
- 3/8", 1/2", 3/4" ports



Description	Weight lbs (kg)	Part number
Auto-fill device kit	1.9 (0.9)	PS505CP



Operation



Oil enters the unit at the pipe thread fitting (A) with a supply pressure that is a minimum of 20 psig above the lubricator air pressure. With the float lowered, oil flows through metering orifice (B) and lifts the check ball (C). Oil continues to flow past the shuttle chamber annulus (D) and out the cross drilled hole (E). As the oil level rises, it cause the float to rise to its maximum level in the bowl. During this period the shut-off ball (F) remains in chamber (G), out of the flow stream. Near the end of the filling period, shut-off ball (F) will enter the flow stream and snap shut against the seat in chamber (G).

The stem assembly will thus block any additional oil passage as long as the oil supply pressure is maintained at (A). When the supply pressure at (A) is released, ball (C) is held up against the shuttle (D) by a spring causing a slight delay in reverse flow shut-off. This permits the higher still present supply pressure in chamber (G) to dissipate and bowl pressure to take over. The shuttle then moves down forcing ball (C) to close orifice (B). The orifice will remain closed as long as there is air pressure in the bowl.

This delay of reverse flow in chamber (G) is necessary to allow shut-off ball (F) to fall when the oil level decreases and permit oil to enter the bowl for the next refill. Thus, for the unit to operate properly, it is necessary that the oil supply pressure go to zero after each fill.

 Most popular.



Operating information

Supply pressure (max):	
Plastic bowl	150 psig (10.3 bar)
Metal bowl / sight gauge	250 psig (17.2 bar)
Operating temperature:	
Plastic bowl	32°F to 125°F (0°C to 52°C)
Metal bowl / sight gauge	32°F to 175°F (0°C to 80°C)
Flow capacity†:	
Minimum flow	1 scfm (0.5 dm³/s, ANR) at 100 psig
Bowl capacity:	4.9 oz.
† Oil inlet pressure must be at least 20 psig above system air pressure and may be up to 300 psig.	

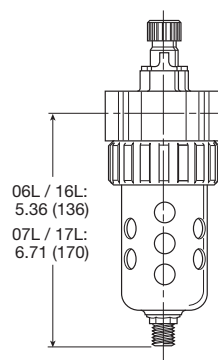
Material Specifications

Body, cap & stem	Aluminum
Float	Polyurethane
Mounting nut	Delrin
Seals	Nitrile
Spring	Stainless

Flexible tubing is recommended for oil supply line connection to remote fill inlet. Rigid piping should be avoided to prevent possible damage due to stresses on the lubricator bowl assembly.

Oil supply line should be pressurized for 2 to 15 minutes one or more times per day. Pressurization frequently should be based on maintaining oil in lubricator at its highest level.

Suggested Lubricant **F442 Oil**
 Petroleum based oil of 100 to 200 SUS viscosity at 38°C (100°F) and an aniline point greater than 93°C (200°F)
 (DO NOT USE OILS WITH ADDITIVES, COMPOUNDED OILS CONTAINING SOLVENTS, GRAPHITE, DETERGENTS, OR SYNTHETIC OILS.)



Inches (mm)



For inventory, lead time, and kit lookup, visit www.pdnplu.com

Safety Guide For Selecting And Using Pneumatic Division Products And Related Accessories

WARNING:

FAILURE OR IMPROPER SELECTION OR IMPROPER USE OF PNEUMATIC DIVISION PRODUCTS, ASSEMBLIES OR RELATED ITEMS ("PRODUCTS") CAN CAUSE DEATH, PERSONAL INJURY, AND PROPERTY DAMAGE. POSSIBLE CONSEQUENCES OF FAILURE OR IMPROPER SELECTION OR IMPROPER USE OF THESE PRODUCTS INCLUDE BUT ARE NOT LIMITED TO:

- Unintended or mistimed cycling or motion of machine members or failure to cycle
- Work pieces or component parts being thrown off at high speeds.
- Failure of a device to function properly for example, failure to clamp or unclamp an associated item or device.
- Explosion
- Suddenly moving or falling objects.
- Release of toxic or otherwise injurious liquids or gasses.

Before selecting or using any of these Products, it is important that you read and follow the instructions below.

1. GENERAL INSTRUCTIONS

- 1.1. Scope:** This safety guide is designed to cover general guidelines on the installation, use, and maintenance of Pneumatic Division Valves, FRLs (Filters, Pressure Regulators, and Lubricators), Vacuum products and related accessory components.
- 1.2. Fail-Safe:** Valves, FRLs, Vacuum products and their related components can and do fail without warning for many reasons. Design all systems and equipment in a fail-safe mode, so that failure of associated valves, FRLs or Vacuum products will not endanger persons or property.
- 1.3 Relevant International Standards:** For a good guide to the application of a broad spectrum of pneumatic fluid power devices see: ISO 4414:1998, Pneumatic Fluid Power – General Rules Relating to Systems. See www.iso.org for ordering information.
- 1.4. Distribution:** Provide a copy of this safety guide to each person that is responsible for selection, installation, or use of Valves, FRLs or Vacuum products. Do not select, or use Parker valves, FRLs or vacuum products without thoroughly reading and understanding this safety guide as well as the specific Parker publications for the products considered or selected.
- 1.5. User Responsibility:** Due to the wide variety of operating conditions and applications for valves, FRLs, and vacuum products Parker and its distributors do not represent or warrant that any particular valve, FRL or vacuum product is suitable for any specific end use system. This safety guide does not analyze all technical parameters that must be considered in selecting a product. The user, through its own analysis and testing, is solely responsible for:
 - Making the final selection of the appropriate valve, FRL, Vacuum component, or accessory.
 - Assuring that all user's performance, endurance, maintenance, safety, and warning requirements are met and that the application presents no health or safety hazards.
 - Complying with all existing warning labels and / or providing all appropriate health and safety warnings on the equipment on which the valves, FRLs or Vacuum products are used; and,
 - Assuring compliance with all applicable government and industry standards.
- 1.6. Safety Devices:** Safety devices should not be removed, or defeated.
- 1.7. Warning Labels:** Warning labels should not be removed, painted over or otherwise obscured.
- 1.8. Additional Questions:** Call the appropriate Parker technical service department if you have any questions or require any additional information. See the Parker publication for the product being considered or used, or call 1-800-CPARKER, or go to www.parker.com, for telephone numbers of the appropriate technical service department.

2. PRODUCT SELECTION INSTRUCTIONS

- 2.1. Flow Rate:** The flow rate requirements of a system are frequently the primary consideration when designing any pneumatic system. System components need to be able to provide adequate flow and pressure for the desired application.
- 2.2. Pressure Rating:** Never exceed the rated pressure of a product. Consult product labeling, Pneumatic Division catalogs or the instruction sheets supplied for maximum pressure ratings.
- 2.3. Temperature Rating:** Never exceed the temperature rating of a product. Excessive heat can shorten the life expectancy of a product and result in complete product failure.
- 2.4. Environment:** Many environmental conditions can affect the integrity and suitability of a product for a given application. Pneumatic Division products are designed for use in general purpose industrial applications. If these products are to be used in unusual circumstances such as direct sunlight and/or corrosive or caustic environments, such use can shorten the useful life and lead to premature failure of a product.
- 2.5. Lubrication and Compressor Carryover:** Some modern synthetic oils can and will attack nitrile seals. If there is any possibility of synthetic oils or greases migrating into the pneumatic components check for compatibility with the seal materials used. Consult the factory or product literature for materials of construction.
- 2.6. Polycarbonate Bowls and Sight Glasses:** To avoid potential polycarbonate bowl failures:
 - Do not locate polycarbonate bowls or sight glasses in areas where they could be subject to direct sunlight, impact blow, or temperatures outside of the rated range.
 - Do not expose or clean polycarbonate bowls with detergents, chlorinated hydro-carbons, ketones, esters or certain alcohols.
 - Do not use polycarbonate bowls or sight glasses in air systems where compressors are lubricated with fire resistant fluids such as phosphate ester and di-ester lubricants.



2.7. Chemical Compatibility: For more information on plastic component chemical compatibility see Pneumatic Division technical bulletins Tec-3, Tec-4, and Tec-5

- 2.8. Product Rupture:** Product rupture can cause death, serious personal injury, and property damage.
- Do not connect pressure regulators or other Pneumatic Division products to bottled gas cylinders.
 - Do not exceed the maximum primary pressure rating of any pressure regulator or any system component.
 - Consult product labeling or product literature for pressure rating limitations.

3. PRODUCT ASSEMBLY AND INSTALLATION INSTRUCTIONS

- 3.1. Component Inspection:** Prior to assembly or installation a careful examination of the valves, FRLs or vacuum products must be performed. All components must be checked for correct style, size, and catalog number. DO NOT use any component that displays any signs of nonconformance.
- 3.2. Installation Instructions:** Parker published Installation Instructions must be followed for installation of Parker valves, FRLs and vacuum components. These instructions are provided with every Parker valve or FRL sold, or by calling 1-800-CPARKER, or at www.parker.com.
- 3.3. Air Supply:** The air supply or control medium supplied to Valves, FRLs and Vacuum components must be moisture-free if ambient temperature can drop below freezing

4. VALVE AND FRL MAINTENANCE AND REPLACEMENT INSTRUCTIONS

4.1. Maintenance: Even with proper selection and installation, valve, FRL and vacuum products service life may be significantly reduced without a continuing maintenance program. The severity of the application, risk potential from a component failure, and experience with any known failures in the application or in similar applications should determine the frequency of inspections and the servicing or replacement of Pneumatic Division products so that products are replaced before any failure occurs. A maintenance program must be established and followed by the user and, at minimum, must include instructions 4.2 through 4.9.

4.2. Installation and Service Instructions: Before attempting to service or replace any worn or damaged parts consult the appropriate Service Bulletin for the valve or FRL in question for the appropriate practices to service the unit in question. These Service and Installation Instructions are provided with every Parker valve and FRL sold, or are available by calling 1-800-CPARKER, or by accessing the Parker web site at www.parker.com.

4.3. Lockout / Tagout Procedures: Be sure to follow all required lockout and tagout procedures when servicing equipment. For more information see: OSHA Standard – 29 CFR, Part 1910.147, Appendix A, The Control of Hazardous Energy – (Lockout / Tagout)

- 4.4. Visual Inspection:** Any of the following conditions requires immediate system shut down and replacement of worn or damaged components:
- Air leakage: Look and listen to see if there are any signs of visual damage to any of the components in the system. Leakage is an indication of worn or damaged components.
 - Damaged or degraded components: Look to see if there are any visible signs of wear or component degradation.
 - Kinked, crushed, or damaged hoses. Kinked hoses can result in restricted air flow and lead to unpredictable system behavior.
 - Any observed improper system or component function: Immediately shut down the system and correct malfunction.
 - Excessive dirt build-up: Dirt and clutter can mask potentially hazardous situations.

Caution: Leak detection solutions should be rinsed off after use.

4.5. Routine Maintenance Issues:

- Remove excessive dirt, grime and clutter from work areas.
- Make sure all required guards and shields are in place.

4.6. Functional Test: Before initiating automatic operation, operate the system manually to make sure all required functions operate properly and safely.

4.7. Service or Replacement Intervals: It is the user’s responsibility to establish appropriate service intervals. Valves, FRLs and vacuum products contain components that age, harden, wear, and otherwise deteriorate over time. Environmental conditions can significantly accelerate this process. Valves, FRLs and vacuum components need to be serviced or replaced on routine intervals. Service intervals need to be established based on:

- Previous performance experiences.
- Government and / or industrial standards.
- When failures could result in unacceptable down time, equipment damage or personal injury risk.

4.8. Servicing or Replacing of any Worn or Damaged Parts: To avoid unpredictable system behavior that can cause death, personal injury and property damage:

- Follow all government, state and local safety and servicing practices prior to service including but not limited to all OSHA Lockout Tagout procedures (OSHA Standard – 29 CFR, Part 1910.147, Appendix A, The Control of Hazardous Energy – Lockout / Tagout).
- Disconnect electrical supply (when necessary) before installation, servicing, or conversion.
- Disconnect air supply and depressurize all air lines connected to system and Pneumatic Division products before installation, service, or conversion.
- Installation, servicing, and / or conversion of these products must be performed by knowledgeable personnel who understand how pneumatic products are to be applied.
- After installation, servicing, or conversions air and electrical supplies (when necessary) should be connected and the product tested for proper function and leakage. If audible leakage is present, or if the product does not operate properly, do not put product or system into use.
- Warnings and specifications on the product should not be covered or painted over. If masking is not possible, contact your local representative for replacement labels.

4.9. Putting Serviced System Back into Operation: Follow the guidelines above and all relevant Installation and Maintenance Instructions supplied with the valve FRL or vacuum component to insure proper function of the system.

Part Number
Index

Safety Guide

Offer of Sale

Part Number Index,
Safety Guide, Offer of Sale



For inventory, lead time, and kit lookup, visit www.pdnplu.com

PARKER-HANNIFIN CORPORATION
OFFER OF SALE

1. **Definitions.** As used herein, the following terms have the meanings indicated.

Buyer:	means any customer receiving a Quote for Products from Seller.
Goods:	means any tangible part, system or component to be supplied by the Seller.
Products:	means the Goods, Services and/or Software as described in a Quote provided by the Seller.
Quote:	means the offer or proposal made by Seller to Buyer for the supply of Products.
Seller:	means Parker-Hannifin Corporation, including all divisions and businesses thereof.
Services:	means any services to be supplied by the Seller.
Software:	means any software related to the Products, whether embedded or separately downloaded.
Terms:	means the terms and conditions of this Offer of Sale or any newer version of the same as published by Seller electronically at www.parker.com/saleterms .

2. **Terms.** All sales of Products by Seller are contingent upon, and will be governed by, these Terms and, these Terms are incorporated into any Quote provided by Seller to any Buyer. Buyer's order for any Products whether communicated to Seller verbally, in writing, by electronic data interface or other electronic commerce, shall constitute acceptance of these Terms. Seller objects to any contrary or additional terms or conditions of Buyer. Reference in Seller's order acknowledgement to Buyer's purchase order or purchase order number shall in no way constitute an acceptance of any of Buyer's terms of purchase. No modification to these Terms will be binding on Seller unless agreed to in writing and signed by an authorized representative of Seller.

3. **Price; Payment.** The Products set forth in Seller's Quote are offered for sale at the prices indicated in Seller's Quote. Unless otherwise specifically stated in Seller's Quote, prices are valid for thirty (30) days and do not include any sales, use, or other taxes or duties. Seller reserves the right to modify prices at any time to adjust for any raw material price fluctuations. Unless otherwise specified by Seller, all prices are F.C.A. Seller's facility (INCOTERMS 2010). All sales are contingent upon credit approval and payment for all purchases is due thirty (30) days from the date of invoice (or such date as may be specified in the Quote). Unpaid invoices beyond the specified payment date incur interest at the rate of 1.5% per month or the maximum allowable rate under applicable law.

4. **Shipment; Delivery; Title and Risk of Loss.** All delivery dates are approximate. Seller is not responsible for damages resulting from any delay. Regardless of the manner of shipment, delivery occurs and title and risk of loss or damage pass to Buyer, upon placement of the Products with the shipment carrier at Seller's facility. Unless otherwise agreed, Seller may exercise its judgment in choosing the carrier and means of delivery. No deferment of shipment at Buyer's request beyond the respective indicated shipping date will be made except on terms that will indemnify, defend and hold Seller harmless against all loss and additional expense. Buyer shall be responsible for any additional shipping charges incurred by Seller due to Buyer's acts or omissions.

5. **Warranty.** The warranty related to the Products is as follows: (i) Goods are warranted against defects in material or workmanship for a period of twelve (12) months from the date of delivery or 2,000 hours of use, whichever occurs first; (ii) Services shall be performed in accordance with generally accepted practices and using the degree of care and skill that is ordinarily exercised and customary in the field to which the Services pertain and are warranted for a period of six (6) months from the completion of the Services by Seller; and (iii) Software is only warranted to perform in accordance with applicable specifications provided by Seller to Buyer for ninety (90) days from the date of delivery or, when downloaded by a Buyer or end-user, from the date of the initial download. All prices are based upon the exclusive limited warranty stated above, and upon the following disclaimer:

DISCLAIMER OF WARRANTY: THIS WARRANTY IS THE SOLE AND ENTIRE WARRANTY PERTAINING TO PRODUCTS. SELLER DISCLAIMS ALL OTHER WARRANTIES, EXPRESS AND IMPLIED, INCLUDING DESIGN, NON-INFRINGEMENT, MERCHANTABILITY, AND FITNESS FOR A PARTICULAR PURPOSE. SELLER DOES NOT WARRANT THAT THE SOFTWARE IS ERROR-FREE OR FAULT-TOLERANT, OR THAT BUYER'S USE THEREOF WILL BE SECURE OR UNINTERRUPTED. BUYER AGREES AND ACKNOWLEDGES THAT UNLESS OTHERWISE AUTHORIZED IN WRITING BY SELLER THE SOFTWARE SHALL NOT BE USED IN CONNECTION WITH HAZARDOUS OR HIGH RISK ACTIVITIES OR ENVIRONMENTS. EXCEPT AS EXPRESSLY STATED HEREIN, ALL PRODUCTS ARE PROVIDED "AS IS".

6. **Claims; Commencement of Actions.** Buyer shall promptly inspect all Products upon receipt. No claims for shortages will be allowed unless reported to the Seller within ten (10) days of delivery. Buyer shall notify Seller of any alleged breach of warranty within thirty (30) days after the date the non-conformance is or should have been discovered by Buyer. Any claim or action against Seller based upon breach of contract or any other theory, including tort, negligence, or otherwise must be commenced within twelve (12) months from the date of the alleged breach or other alleged event, without regard to the date of discovery.

7. **LIMITATION OF LIABILITY.** IN THE EVENT OF A BREACH OF WARRANTY, SELLER WILL, AT ITS OPTION, REPAIR OR REPLACE THE NON-CONFORMING PRODUCT, RE-PERFORM THE SERVICES, OR REFUND THE PURCHASE PRICE PAID WITHIN A REASONABLE PERIOD OF TIME. IN NO EVENT IS SELLER LIABLE FOR ANY SPECIAL, INDIRECT, INCIDENTAL OR CONSEQUENTIAL DAMAGES ARISING OUT OF, OR AS THE RESULT OF, THE SALE, DELIVERY, NON-DELIVERY, SERVICING, NON-COMPLETION OF SERVICES, USE, LOSS OF USE OF, OR INABILITY TO USE THE PRODUCTS OR ANY PART THEREOF, LOSS OF DATA, IDENTITY, PRIVACY, OR CONFIDENTIALITY, OR FOR ANY CHARGES OR EXPENSES OF ANY NATURE INCURRED WITHOUT SELLER'S WRITTEN CONSENT, WHETHER BASED IN CONTRACT, TORT OR OTHER LEGAL THEORY. IN NO EVENT SHALL SELLER'S LIABILITY UNDER ANY CLAIM MADE BY BUYER EXCEED THE PURCHASE PRICE PAID FOR THE PRODUCTS.

8. **Loss to Buyer's Property.** Any designs, tools, patterns, materials, drawings, confidential information or equipment furnished by Buyer or any other items which are or become Buyer's property, will be considered obsolete and may be destroyed by Seller after two (2) consecutive years have elapsed without Buyer ordering the Products manufactured using such property. Seller shall not be responsible for any loss or damage to such property while it is in Seller's possession or control.

9. **Special Tooling.** Special Tooling includes but is not limited to tooling, jigs, fixtures and associated manufacturing equipment acquired or necessary to manufacture Products. A tooling charge may be imposed for any Special Tooling. Such Special Tooling shall be and remain Seller's property notwithstanding payment of any charges by Buyer. In no event will Buyer acquire any interest in Special Tooling belonging to Seller that is utilized in the manufacture of the Products, even if such Special Tooling has been specially converted or adapted for such manufacture and notwithstanding any charges paid by Buyer. Unless otherwise agreed, Seller has the right to alter, discard or otherwise dispose of any Special Tooling or other property in its sole discretion at any time.

10. **Security Interest.** To secure payment of all sums due, Seller retains a security interest in all Products delivered to Buyer and, Buyer's acceptance of these Terms is deemed to be a Security Agreement under the Uniform Commercial Code. Buyer authorizes Seller as its attorney to execute and file on Buyer's behalf all documents Seller deems necessary to perfect its security interest.

11. **User Responsibility.** The Buyer through its own analysis and testing, is solely responsible for making the final selection of the Products and assuring that all performance, endurance, maintenance, safety and warning requirements of the application of the Products are met. The Buyer must analyze all aspects of the application and follow applicable industry standards, specifications, and other technical information provided with the Product. If Seller provides Product options based upon data or specifications provided by the Buyer, the Buyer is responsible for determining that such data and specifications are suitable and sufficient for all applications and reasonably foreseeable uses of the Products. In the event the Buyer is not the end-user, Buyer will ensure such end-user complies with this paragraph.

12. **Use of Products; Indemnity by Buyer.** Buyer shall comply with all instructions, guides and specifications provided by Seller with the Products. **Unauthorized Uses.** If Buyer uses or resells the Products for any uses prohibited in Seller's instructions, guides or specifications, or Buyer otherwise fails to comply with Seller's instructions, guides and specifications, Buyer acknowledges that any such use, resale, or non-compliance is at Buyer's sole risk. Buyer shall indemnify, defend, and hold Seller harmless from any losses, claims, liabilities, damages, lawsuits, judgments and costs (including attorney fees and defense costs), whether for personal injury, property damage, intellectual property infringement or any other claim, brought by or incurred by Buyer, Buyer's employees, or any other person, arising out of: (a) improper selection, application, design, specification or other misuse of Products provided by Seller; (b) any act or omission, negligent or otherwise, of Buyer; (c) Seller's use of patterns, tooling, equipment, plans, drawings, designs or specifications or other information or things furnished by Buyer; (d) damage to the Products from an external cause, repair or attempted repair by anyone other than Seller, failure to follow instructions, guides and specifications provided by Seller, use with goods not provided by Seller, or opening, modifying, deconstructing or tampering with the Products for any reason; or (e) Buyer's failure to comply with these Terms. Seller shall not indemnify Buyer under any circumstance except as otherwise provided in these Terms.

13. **Cancellations and Changes.** Buyer may not cancel or modify any order for any reason, except with Seller's written consent and upon terms that will indemnify, defend and hold Seller harmless against all direct, incidental and consequential loss or damage. Seller, at any time, may change Product features, specifications, designs and availability.

14. **Limitation on Assignment.** Buyer may not assign its rights or obligations without the prior written consent of Seller.

15. **Force Majeure.** Seller does not assume the risk and is not liable for delay or failure to perform any of Seller's obligations by reason of events or circumstances beyond its reasonable control ("Events of Force Majeure"). Events of Force Majeure shall include without limitation: accidents, strikes or labor disputes, acts of any government or government agency, acts of nature, delays or failures in delivery from carriers or suppliers, shortages of materials, or any other cause beyond Seller's reasonable control.

16. **Waiver and Severability.** Failure to enforce any provision of these Terms will not invalidate that provision; nor will any such failure prejudice Seller's right to enforce that provision in the future. Invalidation of any provision of these Terms by legislation or other rule of law shall not invalidate any other provision herein and, the remaining provisions will remain in full force and effect.

17. **Termination.** Seller may terminate any agreement governed by or arising from these Terms for any reason and at any time by giving Buyer thirty (30) days prior written notice. Seller may immediately terminate, in writing, if Buyer: (a) breaches any provision of these Terms (b) appoints a trustee, receiver or custodian for all or any part of Buyer's property (c) files a petition for relief in bankruptcy on its own behalf, or one filed by a third party (d) makes an assignment for the benefit of creditors; or (e) dissolves its business or liquidates all or a majority of its assets.

18. **Ownership of Software.** Seller retains ownership of all Software supplied to Buyer hereunder. In no event shall Buyer obtain any greater right in and to the Software than a right in the nature of a license limited to the use thereof and subject to compliance with any other terms provided with the Software.

19. **Indemnity for Infringement of Intellectual Property Rights.** Seller is not liable for infringement of any patents, trademarks, copyrights, trade dress, trade secrets or similar rights ("Intellectual Property Rights") except as provided in this Section. Seller will defend at its expense and will pay the cost of any settlement or damages awarded in an action brought against Buyer based on a third party claim that one or more of the Products sold hereunder infringes the Intellectual Property Rights of a third party in the country of delivery of the Products by the Seller to the Buyer. Seller's obligation to defend and indemnify Buyer is contingent on Buyer notifying Seller within ten (10) days after Buyer becomes aware of any such claim, and Seller having sole control over the defense of the claim including all negotiations for settlement or compromise. If one or more Products sold hereunder is subject to such a claim, Seller may, at its sole expense and option, procure for Buyer the right to continue using the Products, replace or modify the Products so as to render them non-infringing, or offer to accept return of the Products and refund the purchase price less a reasonable allowance for depreciation. Seller has no obligation or liability for any claim of infringement: (i) arising from information provided by Buyer; or (ii) directed to any Products provided hereunder for which the designs are specified in whole or part by Buyer; or (iii) resulting from the modification, combination or use in a system of any Products provided hereunder. The foregoing provisions of this Section constitute Seller's sole and exclusive liability and Buyer's sole and exclusive remedy for such claims of infringement of Intellectual Property Rights.

20. **Governing Law.** These Terms and the sale and delivery of all Products are deemed to have taken place in, and shall be governed and construed in accordance with, the laws of the State of Ohio, as applicable to contracts executed and wholly performed therein and without regard to conflicts of laws principles. Buyer irrevocably agrees and consents to the exclusive jurisdiction and venue of the courts of Cuyahoga County, Ohio with respect to any dispute, controversy or claim arising out of or relating to the sale and delivery of the Products.

21. **Entire Agreement.** These Terms, along with the terms set forth in the main body of any Quote, forms the entire agreement between the Buyer and Seller and constitutes the final, complete and exclusive expression of the terms of sale. In the event of a conflict between any term set forth in the main body of a Quote and these Terms, the terms set forth in the main body of the Quote shall prevail. All prior or contemporaneous written or oral agreements or negotiations with respect to the subject matter shall have no effect. These Terms may not be modified unless in writing and signed by an authorized representative of Seller.

22. **Compliance with Laws.** Buyer agrees to comply with all applicable laws, regulations, and industry and professional standards, including those of the United States of America, and the country or countries in which Buyer may operate, including without limitation the U.S. Foreign Corrupt Practices Act ("FCPA"), the U.S. Anti-Kickback Act ("Anti-Kickback Act"), U.S. and E.U. export control and sanctions laws ("Export Laws"), the U.S. Food Drug and Cosmetic Act ("FDCA"), and the rules and regulations promulgated by the U.S. Food and Drug Administration ("FDA"), each as currently amended. Buyer agrees to indemnify, defend, and hold harmless Seller from the consequences of any violation of such laws, regulations and standards by Buyer, its employees or agents. Buyer acknowledges that it is familiar with all applicable provisions of the FCPA, the Anti-Kickback Act, Export Laws, the FDCA and the FDA and certifies that Buyer will adhere to the requirements thereof and not take any action that would make Seller violate such requirements. Buyer represents and agrees that Buyer will not make any payment or give anything of value, directly or indirectly, to any governmental official, foreign political party or official thereof, candidate for foreign political office, or commercial entity or person, for any improper purpose, including the purpose of influencing such person to purchase Products or otherwise benefit the business of Seller. Buyer further represents and agrees that it will not receive, use, service, transfer or ship any Product from Seller in a manner or for a purpose that violates Export Laws or would cause Seller to be in violation of Export Laws.