

Liquid Safety Relief Valve

Data Sheet

Type: SRLQ



Purpose:

Liquid safety relief valves (SRLQ) are conventional, direct spring loaded safety relief valves, designed to protect liquid lines, ASME rated liquid containing transfer vessels and other critical system components such as heat exchangers, condensers and coolers from the effects of system blockages and continued heat input.



Contact Information:

Parker Hannifin Corporation
Refrigerating Specialties Division
2445 South 25th. Avenue
Broadview, IL 60155-3891

phone (708) 681-6300
fax (708) 681-6306

www.parker.com/refspec

Product Features:

- Suitable for ammonia and halocarbon refrigerants
- ASME Boiler and Pressure Vessel Code, Section VIII, Division 1 compliant
- ANSI/ASHRAE 15 safety standard for refrigeration systems
- All stainless steel internal parts
- Non-stick PTFE seat
- Set pressure tolerance of $\pm 3\%$
- Unaffected by vibration
- Excellent repeatability



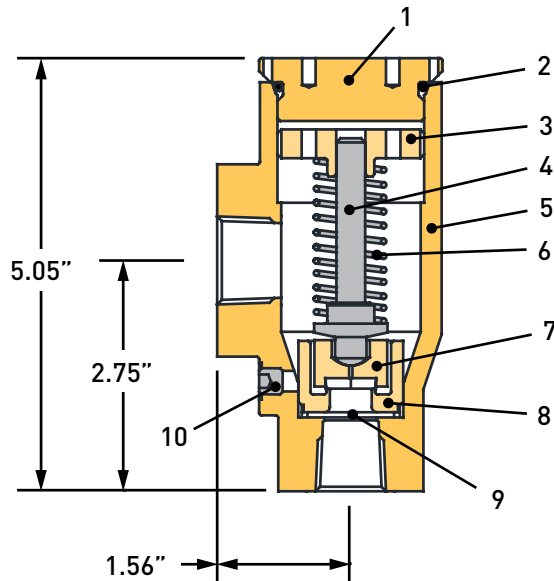
ENGINEERING YOUR SUCCESS.

Technical Data

- Ambient Temperature:
-29°C to 94°C (-20°F to 200°F)
- Maximum Rated Pressure:
28 bar (400 psig)
- Pressure Settings Range:
3.4 to 6.9 bar (50 to 100 psig)
±3% set pressure tolerance
- 20% below set point re-seat pressure after release
- Not suitable for water or other corrosive liquids

Important: The SRLQ safety relief valves is dependent to back pressure. When subjected to certain levels of increased outlet pressure, higher than the atmospheric pressure, or “back pressure” during discharge the performance of the liquid safety relief valve is subject to change.

Recommended sizing guidelines should follow local codes ANSI/ASHRAE 15, IIAR, ASME Section VIII Division 1 and API-520.



Cross-Section: Liquid Safety Relief Valve (SRLQ)

No.	Part Description	Material
1	Cap	Steel
2	O-ring, Cap	Neoprene
3	Plate, Spring	Stainless Steel
4	Stem	Stainless Steel
5	Valve Body	Steel
6	Spring	Steel
7	Disc/Holder	PTFE/Stainless Steel
8	Seat, Valve	Stainless Steel
9	Gasket, Seat	Non-Asbestos Gylon
10	Liquid Drain Leg Port	Steel, Pipe Plug, 1/16" NPT

Valve Type	Inlet Connection (FPT)		Outlet Connection (FPT)		Orifice Diameter		Pressure Setting		Flow Rate (Water)	
	mm	inch	mm	inch	mm	inch	bar	psig	LPM	GPM
SR1LQ	13	1/2	20	3/4	5.81	0.229	3.5	50	33.3	8.8
							4.5	65	37.9	10.0
							5.2	75	40.5	10.7
							5.8	85	43.2	11.4
							6.9	100	47.0	12.4
SR2LQ	20	3/4	25	1	5.81	0.229	3.5	50	55.3	14.6
							4.5	65	62.8	16.6
							5.2	75	67.4	17.8
							5.8	85	71.9	19.0
							6.9	100	78.0	20.6

