



# STRAINERS

for REFRIGERANTS / BRINE / WATER / OIL

Sporlan Strainers are designed for either liquid or suction line applications. They provide free flow with negligible pressure drop and can be used for a variety of liquids.

All Sporlan Strainers contain the maximum effective screen area. Screen assemblies are seam welded, and the ends reinforced or capped with seal rings. This construction reduces the possibility of bursting the screen assembly. The end of the screen assembly seats against the flange plate to form a tight seal, thereby preventing dirt from bypassing the strainer screen.

All cleanable strainers have an access for easy removal of the screen assembly. This facilitates cleaning and inspection, without breaking the line connections.

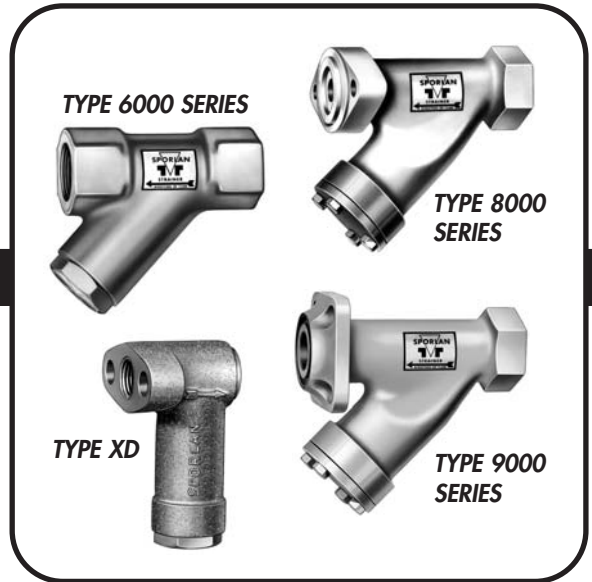
### MESH SIZES

Depending upon the type of application, screen assembly mesh sizes of 80 and 100 are recommended in strainers for refrigerant liquid line applications up to

and including 1-1/8 line sizes. A 60 mesh screen is recommended for strainers on lines larger than 1-1/8 OD.

Screen assemblies of 40 mesh size are recommended for refrigerant suction line applications, and for the majority of applications involving water, brine, and other liquids. Excessive pressure drop develops if screen assemblies of 80 and 100 mesh are used for such applications.

The mesh size of the screen assembly in a strainer is stamped on the flange cap and/or seal plug of each strainer.



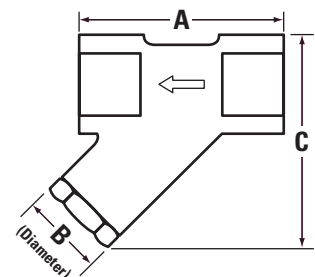
## "Y" TYPE FORGED BRASS STRAINER

**TYPE 6000 STRAINER** suitable for brine and water applications, and other liquids where a strainer made of nonferrous material is desirable.

These strainers have a forged brass body, and a stainless steel screen. Types 6022 through 6088 have a knife edge seal plug. The maximum safe working pressure is 500 psig.



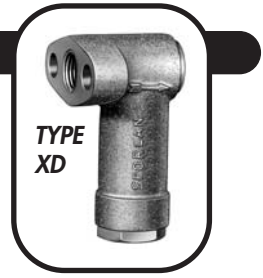
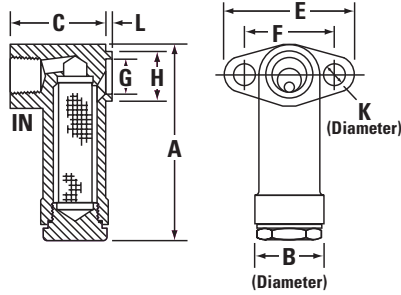
TYPE NUMBER	CONNECTIONS Inches	SCREEN		MESH SIZE	WEIGHT - lbs.		DIMENSIONS - Inches		
		Area Sq. In.	Part Number		Net	Shipping	A	B	C
6022	1/4 FPT	2	4385-2	80	1	1-1/2	2.25	1.00	2.06
6023	3/8 FPT						2.50	1.00	2.50
6034	1/2 FPT						3	4395-2	40
6056	3/4 FPT	5	4405-1	4	5	4.13	1.75	3.88	
6088	1 FPT	8	4415-1						



## SPECIAL PURPOSE STRAINER

**TYPE XD STRAINER** is for use with Ammonia (R-717) and other liquids where a steel construction is suitable. **May be used with companion flange or can be bolted directly to Type D Thermostatic Expansion Valves and Type MA5A3 Solenoid Valves.**

Semi-cast steel body with FPT inlet and flanged outlet connections. Strainer screen is stainless steel with a seal plug for screen removal. Complete unit is zinc plated and painted. The maximum safe working pressure is 500 psig.



TYPE NUMBER	CONNECTIONS - Inches		SCREEN		MESH SIZE	WEIGHT - lbs.		DIMENSIONS - Inches								
	INLET	*OUTLET	Area Sq. In.	Part Number		Net	Shipping	A	B	C	E	F	G	H	K	L
XD 074	1/2 FPT	Flange	6.6	635-3	100	1-3/4	3	4.19	1.50	2.25	2.88	2.00	0.78	1.09	0.50	0.13

\* Strainers are supplied with female companion flange. Available without flange when so ordered.

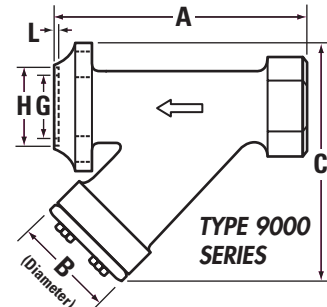
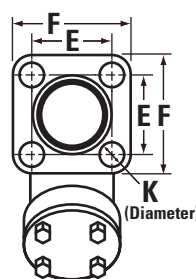
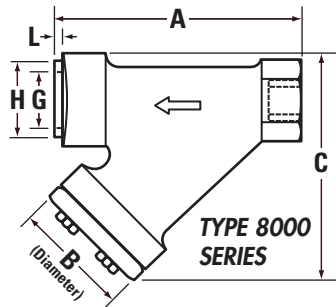
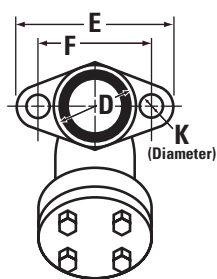
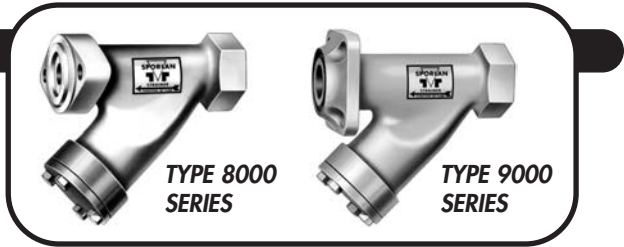
## "Y" TYPE CAST SEMI-STEEL STRAINERS

**TYPE 8000 STRAINER** is used primarily for Ammonia (R-717), but can also be used for halocarbon refrigerants (R-22, R-134a and R-404A) and other liquids where a steel construction is applicable. FPT inlet, standard two bolt York flange outlet connection. **Types 8004 and 8006 strainers can be bolted direct to the inlet of Type A Thermostatic Expansion Valves or Type MA17A3 Solenoid Valves on Ammonia applications.** The unit is zinc plated and painted. The maximum safe working pressure is 500 psig.

**TYPE 9000 STRAINERS** for large Ammonia (R-717) installations are also adaptable to halocarbon refrigerant

(R-22, R-134a and R-404A) applications, and other liquids where a steel construction is suitable. The strainer is zinc plated and painted. The maximum safe working pressure is 400 psig.

FPT inlet, standard four bolt York flange outlet connections. **The Type 9008 and 9010 strainers bolt directly to inlet of Types MA32P3 and DMA32P3 Solenoid Valves.**



TYPE NUMBER	CONNECTION Inches	SCREEN		MESH SIZE	WEIGHT - lbs.		DIMENSIONS - Inches									
		Area Sq. In.	Part Number		Net	Shipping	A	B	C	D	E	F	G	H	K	L
8004	1/2 FPT*	15	4097-3	80	5	7	5.69	2.75	5.06	2.06	3.81	2.69	1.28	1.75	0.56	0.13
8006	3/4 FPT*															
9008	1 FPT**	23	4110-3	60	11	13	7.56	3.13	7.50	---	2.44	3.75	1.81	2.31	0.75	0.13
9010	1-1/4 FPT**				10-1/2											

\* Strainers are supplied without companion flange. Female companion flange, bolts, and gasket can be supplied when ordered.

\*\* Strainers are supplied without companion flange. Male companion flange, bolts, and gasket can be supplied when ordered.

