

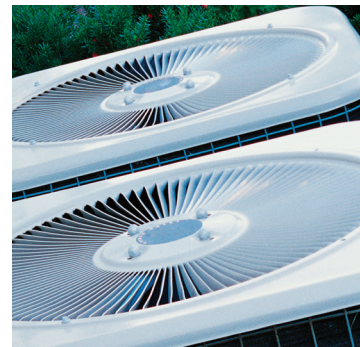


aerospace
climate control
electromechanical
filtration
fluid & gas handling
hydraulics
pneumatics
process control
sealing & shielding



Filter-Driers

Catalog A-1, June 2018



ENGINEERING YOUR SUCCESS.

⚠ WARNING – USER RESPONSIBILITY

Failure or improper selection or improper use of the products described herein or related items can cause death, personal injury and property damage.

This document and other information from Parker Hannifin Corporation, its subsidiaries and authorized distributors provide product or system options for further investigation by users having technical expertise.

The user, through its own analysis and testing, is solely responsible for making the final selection of the system and components and assuring that all performance, endurance, maintenance, safety and warning requirements of the application are met. The user must analyze all aspects of the application, follow applicable industry standards, and follow the information concerning the product in the current product catalog and in any other materials provided from Parker or its subsidiaries or authorized distributors.

To the extent that Parker or its subsidiaries or authorized distributors provide component or system options based upon data or specifications provided by the user, the user is responsible for determining that such data and specifications are suitable and sufficient for all applications and reasonably foreseeable uses of the components or systems.

OFFER OF SALE

The items described in this document are hereby offered for sale by Parker Hannifin Corporation, its subsidiaries or its authorized distributors. This offer and its acceptance are governed by the provisions stated in the detailed "Offer of Sale" elsewhere in this document or available at www.parker.com.

FOR USE ON REFRIGERATION and/or AIR CONDITIONING SYSTEMS ONLY

Catalog A-1, June 2018 supersedes Catalog A-1, April 2015 and all prior publications.

Table of Contents

Filter-Driers

Liquid Line Filter-Driers

Introduction to Filter-Driers	2
Copper Service Filter-Driers	3
Cu LLD® Series Solid-Core Copper Filter-Driers	5
Gold Label™ Liquid Line Filter-Drier (LLD Series)	6
Sahara Series™ Liquid Line Filter-Driers (SS Series)	9
Gold Label™ Bi-Flow Filter-Driers (BF Series)	10
Sahara Series™ Bi-Flow Filter-Driers (SSBF Series)	11

Suction Line Filter-Driers

Gold Label™ Suction Line Filter-Driers (SLD Series)	12
---	----

Replaceable Core Shells, Cores and Element

Replaceable Core Filter-Drier Shells	14
Replacement Filter Element and Cores	16

Recovery and Reclaim Filters and Pre-Filters

PF Series	18
SPD Series	18

OEM Components

Loose-Fill Copper Filter-Driers	19
Loose-Fill Spring-Loaded Copper Filter-Driers	20
Transcritical Carbon Dioxide Filter-Driers (CO Series)	23
Hydrocarbon Optimized Filter-Driers	24

Terms of Sale With Warranty Limitations	25
--	-----------

Introduction to Filter-Driers

The function of a filter-drier in a refrigeration system is to remove contaminants that are harmful. If these contaminants remain at elevated levels, they will jeopardize the longevity of the system. Contaminants that are frequently found include moisture, acid, copper oxides, metal chips, wax-like compounds and others.

Selecting a filter-drier for a particular application requires various technical factors to be considered. These factors include the type of system, connecting line size, water capacity, flow capacity (size of system), filtration capability, acid capacity, material of construction (steel vs. copper), and design pressures. Evaluation of each factor is necessary to ensure proper and economical filter-drier design.

Parker has developed filter-drier recommendations based on current technical data, as well as many years of actual field experience. Products are tested for flow and water capacity using the American Society of Heating, Refrigeration and Air Conditioning Engineers (ASHRAE) Standard 63.1 and are rated for use based on the Air Conditioning, Heating and Refrigeration Institute's guideline AHRI-710. Data obtained from this testing is shown in the capacities tables for liquid line filter-driers and can be used for comparison purposes. However, other factors must be considered for various types of equipment.

Moisture Removal

The ability to remove moisture from a refrigerant system is a primary function of the filter-drier. Moisture can come from many sources such as trapped air from improper evacuation, system leaks, and motor windings, to name a few. Another source is due to improper handling of polyolester (POE) and polyvinyl ether (PVE) lubricants, which are hygroscopic; that is, they readily absorb moisture. POEs and PVEs can pick up more moisture from their surroundings and hold it much tighter than the mineral oils which have been used for

many years. This moisture can cause freeze-ups and corrosion of metallic components. Moisture in the system can hydrolyze the POE lubricant, forming organic acids. These acids, if they exist in significant quantity, will react with materials within the system and can adversely affect component operation. To prevent the formation of these acids, the moisture must be minimized. This is accomplished by the use of a filter-drier that utilizes molecular sieve and activated alumina.

Molecular sieves are crystalline sodium alumino-silicates (synthetic zeolites) having cubic crystals which selectively adsorb molecules based on molecular size and polarity. The crystal structure is honeycombed with regularly spaced cavities or pores. Each of these cavities or pores are uniform in size. This permits molecules, such as water, to be adsorbed, while allowing other larger molecules, such as the refrigerant, lubricant and acids to pass by. The surface of the desiccant is charged positively with cations, which act as a magnet and will therefore adsorb polarized molecules, such as water, and hold them tightly on the structure.

Acid Removal

Refrigerants by themselves are very stable, even when heated to a high temperature. However, certain conditions do occur which can result in the formation of acids. The reaction of refrigerants with water may cause hydrolysis and the formation of hydrochloric and hydrofluoric acids. These acids are usually present as a gas in the system and are highly corrosive. In ordinary usage this reaction is negligible, but in a very wet system operating at abnormally high temperature, some hydrolysis may occur.

Another significant source of acidity in refrigeration systems is organic acid formed from lubricant breakdown. As previously discussed, this can be the by-product of the hydrolyzed lubricant. However, organic acids can

result from an oxidation reaction of the lubricant (from air left in the system) or if the thermal stability of the lubricant is exceeded for a period of time from an improper operating system.

Activated alumina is the desiccant of choice if added acid capacity is desired in the filter-drier. Many of the copper spun filter-driers referenced in this catalog are made with a 100% molecular sieve formulation and are not equipped with activated alumina. This is often all that is required for the type of system where they are used, since they minimize the potential of hydrolysis reactions of the lubricant and/or refrigerant. Copper filter-driers are designed with a molecular sieve to achieve the maximum water capacity because they are typically smaller than the steel counterpart and need this capacity. However, copper spun filter-driers are available with molecular sieve/activated alumina formulations if desired.

For steel shell filter-driers, catalog products often utilize a molecular sieve/activated alumina formulation appropriate with current system chemistries. These products come standard with this desiccant blend because these products often find numerous applications in service where the type and amount of contaminants are unknown. For these applications, filter-driers with a blend of molecular sieve and activated alumina is advantageous.

Filtration

Scale, solder particles, metallic fines and all types of foreign substances must be removed to protect the compressor, solenoid valves, expansion valves, capillary tubes and other close tolerance parts of a refrigeration system.

The solution to system filtration is the use of a filter-drier. The filter-drier can be constructed in two different formats to perform this function. The filter-drier can be a spring load desiccant design that utilizes multiple layers of a fibrous media that captures the circulating

Introduction to Filter-Driers

particulate. The alternate design (always used in large systems) is a molded core made with a specific desiccant formulation. The desiccants are sized and bonded in such a way that the useable shape provides the filtration. The large particles are caught on the surface of the core and the smaller solids are captured as the refrigerant channels through the desiccant core.

Steel vs. Copper

The major differences in using steel vs. copper filter-driers are the system sizes and applications. Copper filter-driers are normally used in 5 ton and smaller, less

complex applications, including systems with less pressure fluctuations and lower vibration tendencies. Some smaller systems do not require high filtration capabilities; however, some of the smaller systems using the new refrigerants will require better filtration. In order to meet these requirements, a molded core construction and filter-driers with additional fibrous media and screen should be considered. Also, copper is typically the most economical option for smaller systems. Because copper driers are used for smaller applications, the refrigerant charge required will generally be smaller than in the steel filter-drier.

Information regarding operating pressure is required to adequately size the wall thickness of the filter-drier to attain the ultimate burst pressure, for both copper and steel. In accordance with Underwriters Laboratories (UL), the burst pressure is rated as five times the design working pressure of the system, or three times the design working pressure of the system when evaluated using the fatigue stress test outlined in UL 207. Typically, for copper filter-driers, the design working pressure can be correlated to tube diameter and wall thickness to meet specific UL specifications.

Copper Service Filter-Driers

Parker's copper service filter-driers adsorb moisture and provide filtration to systems in the field. The features of the copper service filter-driers are provided below.

Applications

- Air conditioning, heat pump, and small refrigeration systems

Features and Benefits

- Made in the USA
- Worldwide OEM acceptance and usage
- All copper construction for corrosion resistance and simplified brazing
- 100% molecular sieve
- Compatible with commercially available refrigerants and lubricants
- UL Recognized SMGT2/SMGT8-SA1756

MMS-80
Working psi: 700

MMS-100
Working psi: 500

MMS-200
Working psi: 700

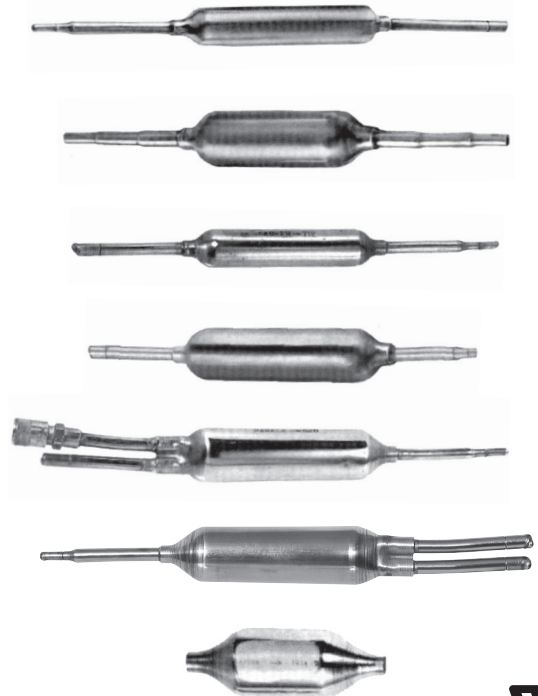
712
Working psi: 500

319F
Working psi: 750

619/620
Working psi: 750

621
Working psi: 750

1638F (Formerly C073S)
Working psi: 750



Note: For models 319F and 1638F, the "F" represents UL fatigue qualification, not flare fittings.

Copper Service Filter-Driers

Specifications

U.L. Model No.	Part No.	Molecular Sieve (wt.)	Description	MRP		Tube Diameter		Overall Length		Inlet Tube Size (Inches)		Outlet Tube Size (Inches)	
				psi	bar	Inches	mm	Inches	mm	OD	ID	OD	ID
				MMS-80	058070-01	10g	3/4" Non-directional (Not for Bi-Flow applications)	700	48.3	0.75	19	7.24	184
MMS-100	058198-01	10g	3/4" directional	500	34.5	0.75	19	7.24	184	1/4	3/16	1/4	3/16
MMS-200	032134-01	20g	1" directional with 3 step down fitting sizes	700	48.3	1.00	25	10.07	256	1/4	3/16	1/4	3/16
712	032092-01	10g	3/4" directional	500	34.5	0.75	19	7.31	186	1/4	3/16	—	.089 - .092 cap. tube
319F	032144-01	30g	1-3/16" directional	750	51.7	1.19	30	8.63	219	5/16	1/4	—	.127 - .130 cap. tube
619	032142-01	10g	3/4" w/access valve			0.75	19	7.98	203	1/4	3/16	—	.089 - .092 cap. tube
620	032133-02	20g	1" w/access valve			1.00	25	8.54	217	5/16	1/4	—	.127 - .130 cap. tube
621	032143-01	20g	1" w/double inlet			1.00	25	7.87	200	5/16	1/4	—	.127 - .130 cap. tube
1638F (Formerly C073S)	032145-00	28g	1-5/8" directional			1.63	41	4.38	111	—	3/8	—	3/8

U.L. Model No.	Part No.	Recommended Tonnages / kW							
		R-134a		R-404A, R-502, R-507		R-22		R-410A	
		Tons	kW	Tons	kW	Tons	kW	Tons	kW
MMS-80	058070-01	1/3	1.17	1/4	0.91	1/2	1.76	1/2	1.80
MMS-100	058198-01	1/3	1.17	1/4	0.91	1/2	1.76	1/2	1.80
MMS-200	032134-01	3/4	2.64	1/2	2.05	1	3.52	1	3.60
712	032092-01	1/3	1.17	1/4	0.91	1/2	1.76	1/2	1.80
319F	032144-01	1	3.52	3/4	2.73	2	7.03	2	7.20
619	032142-01	1/3	1.17	1/4	0.91	1/2	1.76	1/2	1.80
620	032133-02	1	3.52	3/4	2.73	2	7.03	2	7.20
621	032143-01	1	3.52	3/4	2.73	2	7.03	2	7.20
1638F (Formerly C073S)	032145-00	4	14.1	3	10.94	4	14.1	4	14.41

Water Capacity In Drops (Grams*) at AHRI-710 Conditions

U.L. Model No.	Part No.	Water Capacity in Drops									
		R-12		R-22		R-134a		R-401A, R-401B		R-402A, R-402B	
		75°F (24°C)	125°F (52°C)	75°F (24°C)	125°F (52°C)	75°F (24°C)	125°F (52°C)	75°F (24°C)	125°F (52°C)	75°F (24°C)	125°F (52°C)
MMS-80	058070-01	33	30	29	27	32	31	32	30	33	30
MMS-100	058198-01	33	30	29	27	32	31	32	30	33	30
MMS-200	032134-01	66	61	59	54	65	62	65	60	66	61
712	032092-01	33	30	29	27	32	31	32	30	33	30
319F	032144-01	99	91	89	82	97	93	97	90	99	91
619	032142-01	33	30	29	27	32	31	32	30	33	30
620	032133-02	66	61	59	54	65	62	65	60	66	61
621	032143-01	66	61	59	54	65	62	65	60	66	61
1638F (Formerly C073S)	032145-00	92	85	83	76	91	86	91	84	92	85

U.L. Model No.	Part No.	Water Capacity in Drops							
		R-404A, R-507		R-407C		R-410A		R-502	
		75°F (24°C)	125°F (52°C)	75°F (24°C)	125°F (52°C)	75°F (24°C)	125°F (52°C)	75°F (24°C)	125°F (52°C)
MMS-80	058070-01	32	30	26	23	19	17	30	28
MMS-100	058198-01	32	30	26	23	19	17	30	28
MMS-200	032134-01	65	61	52	47	39	34	60	57
712	032092-01	32	30	26	23	19	17	30	28
319F	032144-01	98	91	78	70	59	52	91	85
619	032142-01	32	30	26	23	19	17	30	28
620	032133-02	65	61	52	47	39	34	60	57
621	032143-01	65	61	52	47	39	34	60	57
1638F (Formerly C073S)	032145-00	91	85	73	66	55	48	85	80

* 20 Drops = 1 Gram = 1 cc

Cu LLD[®] Series Solid-Core Copper Filter-Driers

Parker's solid-core copper filter-driers adsorb system contaminants and provide physical filtration to systems between 1/2 and 5 tons (1.8 to 17.5 kW). Applications include air conditioning, heat pumps, and small refrigeration systems.

Application

- System sizes between 1/2 to 5 tons (1.8 to 17.5 kW)

Base Product Part No.

- Cu LLD

Features and Benefits

- Made in the USA

- One-piece copper shells in 1-3/16" to 2" (30.2 to 50.8 mm) outside diameter, along with spun ODF solder fittings in a variety of sizes, provides easy installation
- 100% molecular sieve molded core for maximum water capacity
- Copper construction offers excellent corrosion resistance in harsh environments
- UL Recognized SMGT2/SMGT8-SA1756



Model No.	Part No.	100% Molecular Sieve Molded Core - Size Class	Description	UL Model	MRP		Tube Diameter		Overall Length		Inlet Tube Size		Outlet Tube Size	
					psi	bar	Inches	mm	Inches	mm	ODF - Inches	ODF - Inches		
Cu LLD 3-2S	032062-01	3 cu. In.	1-5/8" 3 cu in core 1/4" x 1/4"	1638F	750	51.7	1.63	41	4.00	102	1/4	1/4	1/4	1/4
Cu LLD 3-3S	032062-00	3 cu. In.	1-5/8" 3 cu in core 3/8" x 3/8"	1638F	750	51.7	1.63	41	4.00	102	3/8	3/8	3/8	3/8
Cu LLD 5-3S	032056-10	5 cu. In.	1-5/8" 5 cu in core 3/8" x 3/8"	1638F	750	51.7	1.63	41	5.19	132	3/8	3/8	3/8	3/8
Cu LLD 8-3S	032055-10	8 cu. In.	2"OD 8 cu in core 3/8" x 3/8"	2058F	650	44.8	2.00	51	6.06	154	3/8	3/8	3/8	3/8
Cu LLD 16-3S	032057-10	16 cu. In.	2"OD 16 cu in core 3/8" x 3/8"	2058F	650	44.8	2.00	51	6.68	170	3/8	3/8	3/8	3/8

Water Capacity In Drops (Grams*) at AHRI-710 Conditions

Model No.	Fitting Type ODF Solder (Inches)	Overall Length		Tube Diameter		R-22 (60 ppm)		R-134a (50 ppm)		R-404A, R-507 (50 ppm)		R-407C (50 ppm)		R-410A (50 ppm)	
		Inches	mm	Inches	mm	75°F (24°C)	125°F (52°C)	75°F (24°C)	125°F (52°C)	75°F (24°C)	125°F (52°C)	75°F (24°C)	125°F (52°C)	75°F (24°C)	125°F (52°C)
						Inches	mm	Inches	mm	Inches	mm	Inches	mm	Inches	mm
Cu LLD 3-2S	1/4	4.71	120	1.63	41	63	55	69	62	68	61	48	41	37	31
Cu LLD 3-3S	3/8	4.71	120	1.63	41	63	55	69	62	68	61	48	41	37	31
Cu LLD 5-3S	3/8	6.06	154	2.00	51	86	75	94	85	94	83	66	56	51	43
Cu LLD 8-3S	3/8	6.68	170	2.00	51	150	131	165	147	164	145	115	98	89	75
Cu LLD 16-3S	3/8	6.68	170	2.00	51	241	209	263	236	261	223	173	147	142	119

* 20 Drops = 1 Gram = 1 cc

Installation Recommendations

Model No.	Nominal Ratings in Tons (kW)											
	Refrigeration Commercial Low Temp. Equipment						Air Conditioning OEM, Self-Contained/Field Replacement					
	R-134a		R-22		R-404A, R-507		R-134a		R-22, R-410A		R-404A, R-407C, R-507A	
	Tons	kW	Tons	kW	Tons	kW	Tons	kW	Tons	kW	Tons	kW
Cu LLD 3-2S	3/4	2.6	3/4	2.6	1/2	1.8	1-1/2	5.3	1-1/2	5.3	1	3.5
Cu LLD 3-3S	1-3/4	6.1	1-1/2	5.3	1-3/4	6.1	3-1/2	12.3	3	10.5	2-1/2	8.8
Cu LLD 5-3S	1-3/4	6.1	1-1/2	5.3	1-3/4	6.1	3-1/2	12.3	3	10.5	2-1/2	8.8
Cu LLD 8-3S	2	7.0	1-1/2	5.3	1-3/4	6.1	3-1/2	12.3	3	10.5	2-1/2	8.8
Cu LLD 16-3S	2	7.0	1-1/2	5.3	1-3/4	6.1	4	14	3-1/2	12.3	2-1/2	8.8

Flow Capacity – Tons (kW) of Refrigeration at 1 psid (.07 Bar)

Model No.	R-22		R-134a		R-404A, R-507		R-407C		R-410A	
	Tons	kW	Tons	kW	Tons	kW	Tons	kW	Tons	kW
Cu LLD 3-2S	1.9	6.7	1.7	4.9	1.2	4.2	1.8	6.3	1.8	6.3
Cu LLD 3-3S	4.3	15.1	3.9	13.7	2.8	9.8	4.2	14.7	4.2	14.7
Cu LLD 5-3S	4.2	14.7	3.8	13.3	2.7	9.5	4.1	14.4	4.1	14.4
Cu LLD 8-3S	4.6	16.1	4.2	14.7	3.0	10.5	4.5	15.8	4.5	15.8
Cu LLD 16-3S	4.8	16.8	4.4	15.4	3.1	10.9	4.7	16.5	4.6	16.1

Gold Label™ Series Liquid Line Filter-Driers

LLD Series

Features and Benefits

- Made in the USA
- Unsurpassed moisture and acid capacities – maximum filtration capability for today's systems
- Compatible with all commercially available refrigerants including R-410A
- Compatible with mineral oil, alkybenzene and POE lubricants
- Spring loaded, molecular sieve and activated alumina
- Solid copper ODF solder fittings and nickel plated steel SAE fittings
- Powder paint exterior coating surpasses 500 hour ASTM salt spray test to resist corrosion
- Maximum Rated Pressure of 650 psig (44.8 bar).
- UL Listed under SMGT/SMGT7-SA1756



Water Capacity In Drops (Grams*) at AHRI-710 Conditions

Model Series	R-22 (60 ppm)		R-134a (50 ppm)		R-404A, R-507 (50 ppm)		R-407C (50 ppm)		R-410A (50 ppm)	
	75°F (24°C)	125°F (52°C)	75°F (24°C)	125°F (52°C)	75°F (24°C)	125°F (52°C)	75°F (24°C)	125°F (52°C)	75°F (24°C)	125°F (52°C)
LLD-030	71	66	78	74	78	73	55	49	42	37
LLD-050	177	160	196	185	194	182	127	115	87	78
LLD-080	250	230	277	262	273	257	180	162	124	111
LLD-160	358	325	395	375	389	367	258	232	178	159
LLD-300+	755	698	826	786	822	773	579	521	446	397
LLD-410+	1053	973	1151	1096	1145	1078	806	726	622	554
LLD-600+	1607	1485	1757	1673	1748	1645	1231	1109	949	846

* 20 Drops = 1 Gram = 1 cc

+ Molded solid core

Refrigerant Holding Capacity – Ounces (kg) of Refrigerant @ 100°F (38°C)

Model Series	R-12		R-22		R-134a		R-404A, R-507		R-407C		R-410A		R-502	
	Ounces	kg	Ounces	kg	Ounces	kg	Ounces	kg	Ounces	kg	Ounces	kg	Ounces	kg
LLD-030	1.9	0.5	1.7	0.5	1.8	0.5	1.5	0.4	1.5	0.4	1.5	0.4	1.8	0.5
LLD-050	3.3	0.9	3.0	0.9	3.0	0.9	2.6	0.7	2.8	0.8	2.6	0.7	2.9	0.8
LLD-080	6.1	1.7	5.5	1.6	5.6	1.6	4.8	1.4	5.3	1.5	4.8	1.4	5.4	1.5
LLD-160	9.1	2.6	8.2	2.3	8.4	2.4	7.1	2.0	7.8	2.2	7.2	2.0	8.0	2.3
LLD-300	26.7	7.3	24.2	6.9	24.5	6.9	20.7	5.9	20.8	5.9	21.1	6.0	24.4	6.9
LLD-410	37.3	10.6	33.8	9.6	34.2	9.7	29.0	8.2	29.0	8.2	29.4	8.3	34.1	9.7
LLD-600	71.3	20.2	64.5	18.3	65.3	18.5	55.3	15.7	56.5	16	56.2	15.9	65.2	18.5

Gold Label™ Series Liquid Line Filter-Driers

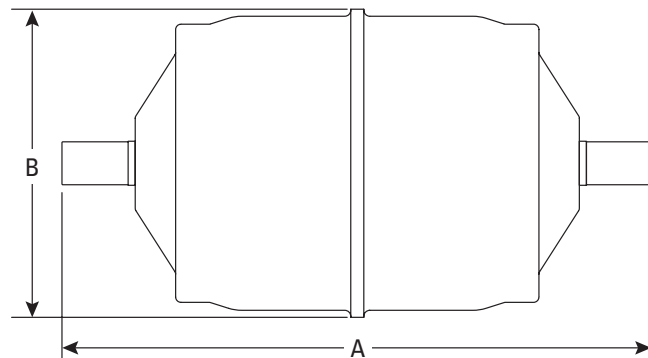
Type LLD

Flow Capacity – Tons of Refrigeration at 1 psid (0.07 bar)

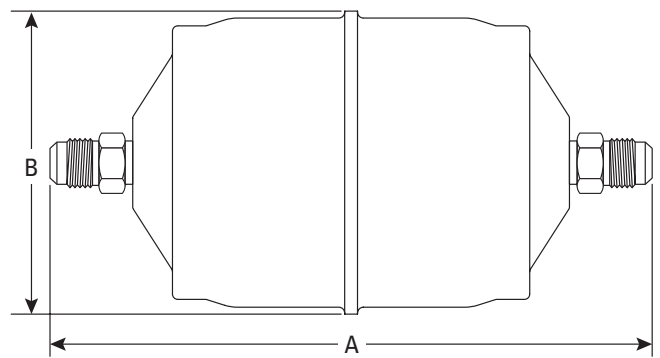
Model No.	Part Number	Fitting Type (Inches)	Overall Length "A"		Shell Diameter "B"		Flow Capacity – Tons (kW) @ 1 psid (0.07 bar)									
			Inches	mm	Inches	mm	R-22		R-134a		R-404A, R-507		R-407C		R-410A	
							Tons	kW	Tons	kW	Tons	kW	Tons	kW	Tons	kW
032	450003-001	1/4 SAE Flare	4.24	108	1.78	45	1.70	6.0	1.54	5.4	1.10	3.9	1.64	5.7	1.67	5.8
032S	450004-001	1/4 ODF Solder	3.78	96	1.78	45	1.84	6.4	1.72	6.0	1.22	4.3	1.82	6.4	1.86	6.5
032MF	450005-001	1/4 male x female flare	3.93	100	1.78	45	1.70	6.0	1.54	5.4	1.10	3.9	1.64	5.7	1.67	5.8
052	450119-001	1/4 SAE Flare	4.72	120	2.45	62	1.84	6.4	1.72	6.0	1.22	4.3	1.82	6.4	1.86	6.5
052S	450142-001	1/4 ODF Solder	4.26	108	2.45	62	2.05	7.2	1.80	6.3	1.29	4.5	1.91	6.7	1.95	6.8
053	450145-001	3/8 SAE Flare	5.16	131	2.45	62	3.96	13.9	3.60	12.6	2.57	9.0	3.83	13.4	3.90	13.7
053S	450127-001	3/8 ODF Solder	4.40	112	2.45	62	4.74	16.6	4.29	15.0	3.06	10.7	4.56	16.0	4.64	16.2
082	450120-001	1/4 SAE Flare	5.62	143	2.69	68	1.84	6.4	1.72	6.0	1.22	4.3	1.82	6.4	1.86	6.5
082S	450141-001	1/4 ODF Solder	5.16	131	2.69	68	2.12	7.4	1.89	6.6	1.35	4.7	2.01	7.0	2.04	7.1
083	450121-001	3/8 SAE Flare	6.06	154	2.69	68	4.45	15.6	4.03	14.1	2.88	10.1	4.28	15.0	4.36	15.3
083S	450129-001	3/8 ODF Solder	5.30	135	2.69	68	5.02	17.6	4.54	15.9	3.25	11.4	4.83	16.9	4.92	17.2
DSG-083S+	409994-000	3/8 ODF Solder	7.66	194	2.69	68	5.02	17.6	4.54	15.9	3.25	11.4	4.83	16.9	4.92	17.2
084	450122-001	1/2 SAE Flare	6.32	161	2.69	68	7.14	25.0	6.43	22.5	4.59	16.1	6.84	23.9	6.96	24.4
084S	450130-001	1/2 ODF Solder	5.42	138	2.69	68	7.21	25.2	6.52	22.8	4.65	16.3	6.93	24.2	7.05	24.7
163	450124-001	3/8 SAE Flare	6.72	171	3.03	77	5.30	18.6	4.80	16.8	3.43	12.0	5.10	17.9	5.20	18.2
163S	450131-001	3/8 ODF Solder	5.96	151	3.03	77	5.94	21.8	5.32	18.6	3.80	13.3	5.65	19.8	5.75	20.1
DSG-163S+	409995-000	3/8 ODF Solder	8.30	211	3.03	77	5.94	21.8	5.32	18.6	3.80	13.3	5.65	19.8	5.75	20.1
164	450125-001	1/2 SAE Flare	6.98	177	3.03	77	9.05	31.7	8.15	28.5	5.82	20.4	8.66	30.3	8.81	30.8
164S	450132-001	1/2 ODF Solder	6.08	154	3.03	77	9.83	34.4	8.83	30.9	6.31	22.1	9.39	32.8	9.56	33.5
165	450126-001	5/8 SAE Flare	7.28	185	3.03	77	12.58	44.0	11.40	39.9	8.15	28.5	12.12	42.4	12.34	43.2
165S	450133-001	5/8 ODF Solder	6.32	161	3.03	77	13.01	45.5	11.75	41.1	8.39	29.4	12.49	43.7	12.71	44.5
303	450030-001	3/8 SAE Flare	9.69	246	3.00	76	5.44	19.2	4.89	17.1	3.49	12.2	5.19	18.2	5.29	18.5
303S	450031-001	3/8 ODF Solder	8.86	225	3.00	76	6.15	21.5	5.57	19.5	3.98	13.9	5.92	20.7	6.03	21.1
304	450032-001	1/2 SAE Flare	9.94	252	3.00	76	10.75	31.6	9.69	33.9	6.92	24.2	10.30	36.1	10.48	36.7
304S	450046-001	1/2 ODF Solder	9.00	229	3.00	76	12.44	43.5	11.23	39.3	8.02	28.1	11.94	41.8	12.15	42.5
305	450033-002	5/8 SAE Flare	10.19	259	3.00	76	14.71	51.4	13.29	46.5	9.49	33.2	14.13	49.5	14.38	50.3
305S	450043-001	5/8 ODF Solder	9.24	235	3.00	76	16.26	56.9	14.66	51.3	10.47	36.6	15.58	54.5	15.86	55.5
307S	450055-001	7/8 ODF Solder	9.30	236	3.00	76	20.15	70.5	18.18	63.6	12.98	45.4	19.32	67.6	19.67	68.8
415	450057-001	5/8 SAE Flare	10.38	264	3.50	311	14.71	51.4	13.29	46.5	9.49	33.2	14.13	49.5	14.38	50.3
415S	450047-001	5/8 ODF Solder	9.43	240	3.50	311	16.26	56.9	14.66	51.3	10.47	36.6	15.58	54.5	15.86	55.5
417S	450058-001	7/8 ODF Solder	9.49	241	3.50	311	23.12	80.9	20.84	72.9	14.88	52.1	22.15	77.5	22.54	78.9
607S	450118-001	7/8 ODF Solder	15.11	384	3.50	311	24.32	85.1	22.04	77.1	15.74	55.1	23.42	82.0	23.84	83.4
609S	450117-001	1-1/8 ODF Solder	15.99	406	3.50	311	26.80	93.8	24.27	84.9	17.33	60.7	25.79	90.3	26.26	91.9

+ DSG models include Integrated PSG Moisture Indicator Sight Glass.

ODF Solder



SAE Flare



Gold Label™ Series Liquid Line Filter-Driers

Type LLD

Installation Recommendations – Tons (kW)

Model No.	Refrigeration Commercial Low Temp. Equipment						Air Conditioning Field Replacement or Field Build-up Equipment			
	R-134a		R-22		R-404A, R-507		R-134a		R-22, R-407C, R-410A	
	Tons	kW	Tons	kW	Tons	kW	Tons	kW	Tons	kW
032	1/4	0.9	1/4	0.9	1/4	0.9	1/2	1.8	1/2	1.8
032S										
032MF										
052	1/3	1.2	1/3	1.2	1/3	1.2	3/4 thru 1	2.6 thru 3.5	3/4 thru 2	2.6 thru 7
052S										
053										
053S										
082	1/2 thru 1-1/2	1.8 thru 5.3	1/2 thru 1-1/2	1.8 thru 5.3	1/2 thru 1	1.8 thru 3.5	3/4 thru 2	2.6 thru 7	1 thru 2	3.5 thru 7
082S										
083										
083S										
084										
084S										
163	1 thru 2	3.5 thru 7	1-1/2 thru 3	5.3 thru 10.5	3/4 thru 2	2.6 thru 7	1 thru 5	3.5 thru 17.5	1-1/2 thru 5	1.8 thru 17.5
163S										
164										
164S										
165										
165S										
303	3 thru 5	5.3 thru 17.5	3 thru 5	5.3 thru 17.5	2 thru 5	2.6 thru 17.5	3 thru 7-1/2	5.3 thru 26.3	4 thru 10	14 thru 35
303S										
304										
304S										
305										
305S										
307S										
415	5 thru 10	17.5 thru 35	5 thru 12	17.5 thru 42	5 thru 10	17.5 thru 35	5 thru 12	17.5 thru 42	7-1/2 thru 15	26.3 thru 52.5
415S										
417S										
607S	15	52.5	15	52.5	10	35	15	52.5	20	70
609S										

Sahara Series™ Liquid Line Filter-Driers

Type SS

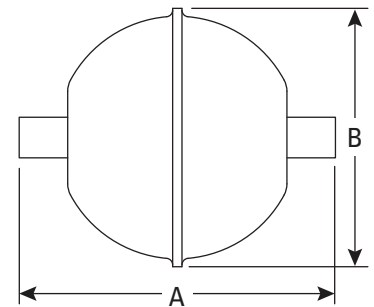
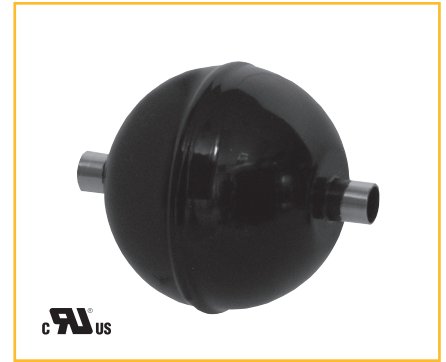
The new Sahara Series filter-driers are ideal for protecting air-conditioning systems from the harmful effects of moisture, acid, and solid debris. The compact design reduces lay-in requirements. Multiple size products are available to optimize contaminant control. Replaced the existing Sahara Series Liquid Line Filter-Driers in a reduced size.

Features and Benefits

- High capacity solid core design for excellent moisture and acid protection in R-410A AC systems
- High filtration capacity for solid debris protection
- Unique, compact shape minimizes pressure drop and reduces refrigerant requirements
- Solid copper fittings for easy brazing
- High performance epoxy powder paint for excellent corrosion protection
- Minimal free internal volume reduces refrigerant filling needs
- UL Recognized component (File SA1756, cURus)

Specifications

- 650 psi (45 bar) Maximum Rated Pressure
- 100% molecular sieve to maximize water absorption
- 10 micron outlet filter (@ 50% efficiency)
- 500 hour salt spray per ASTM B117
- Patented spherical design
- RoHS and REACH Compliant
- No CE marking according to Art. 3.3 PED 97/23 EC.



Dimensions

Model Number	Replaced Model	Part Number	Recommended Tonnage Air-Conditioning	Connection Size (Inches)	Overall Length		Lay-In Length "A"		Body Diameter "B"	
					Inches	mm	Inches	mm	Inches	mm
2SS3S	SS-053S	407400	1/2 – 2	3/8	2.91	74	2.07	53	2.23	57
3SS3S	SS-083S	407401	1 – 3	3/8	3.38	86	2.54	65	2.77	70
5SS3S	SS-163S	407402	2 – 5	3/8	3.97	101	3.13	80	3.46	88

Performance Ratings with R-410A at AHRI Standard Conditions

Model Number	Water Capacity		Flow Capacity		Liquid Refrigerant Holding Capacity	
	Drops @ 125°F	Grams @ 52°C	Tons @ 1 psi ΔP	kW @ 0.07 bar ΔP	Ounces @ 100°F	kg @ 38°C
2SS3S	50	2.5	4.8	16.8	1.1	0.03
3SS3S	100	5	5.2	18.3	2.2	0.06
5SS3S	200	10	5.3	18.6	4.4	0.12

Gold Label™ Series Bi-Flow Filter-Driers

Type BF

The Gold Label bi-flow filter-drier is designed specifically for heat pump or reverse cycle applications. External check valves are not required since they are incorporated within the filter-drier.

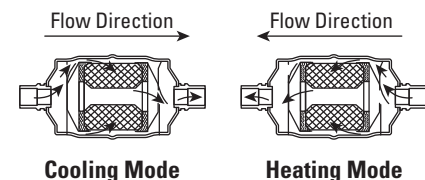
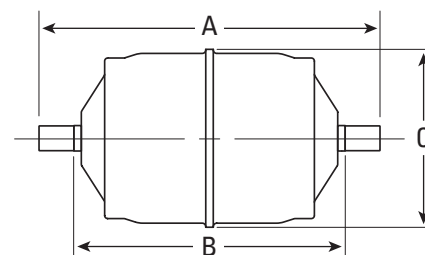
Features and Benefits

- Made in the USA
- 100% copper ODF solder
- Desiccant core provides reliable and effective removal of solid contaminants, acid and moisture
- Core is cushioned in fiber gaskets to protect core and to ensure trouble-free performance
- Powder paint exterior coating surpasses 500 hour ASTM salt spray test to resist corrosion
- 650 psig (45 bar) MRP
- UL Listed under SMGT/SMGT7-SA1756



Dimensions

Model No.	Part Number	Fitting Size (Inches)	System Cutout				Shell Diameter "C"	
			Length "A"		Length "B"		Inches	mm
			Inches	mm	Inches	mm		
BF083S	450300-001	3/8	5.46	139	4.58	117	3	76
BF084S	450301-001	1/2	5.58	142	4.58	116	3	76
BF163S	450302-001	3/8	6.92	176	6.04	154	3	76
BF164S	450303-001	1/2	7.07	180	6.07	154	3	76
BF165S	450304-001	5/8	7.35	187	6.11	155	3	76



Refrigerant Holding Capacity

Ounces (kg) of Refrigerant @ 100°F (38°C)

Model Series	R-22		R-407C		R-410A	
	Ounces	kg	Ounces	kg	Ounces	kg
BF080	8.5	0.24	7.5	0.21	7.4	0.21
BF160	11	0.31	9.7	0.27	9.6	0.27

Water Capacity In Drops (Grams*) at AHRI-710 Conditions

Model Series	R-22 (60 ppm)		R-407C (50 ppm)		R-410A (50 ppm)	
	75°F (24°C)	125°F (52°C)	75°F (24°C)	125°F (52°C)	75°F (24°C)	125°F (52°C)
BF080	194	158	163	53	85	63
BF160	364	297	307	100	158	119

* 20 Drops = 1 Gram = 1 cc

Flow Capacity — Tons (kW) of Refrigeration at 1 psid (0.07 bar)

Model No.	Filter Area (cu inches)	R-22		R-407C		R-410A	
		Tons	kW	Tons	kW	Tons	kW
BF083S	15	3.7	13	3.4	11.9	3.6	12.6
BF084S		4.1	14.4	3.8	13.3	4	14
BF163S	26	5.5	19.3	5.1	17.9	5.4	19
BF164S		8.9	31.2	8.2	28.8	8.7	30.5
BF165S		10.8	37.9	9.9	34.7	10.6	37.2

Sahara Series™ Bi-Flow Liquid Line Filter-Driers

Type SSBF

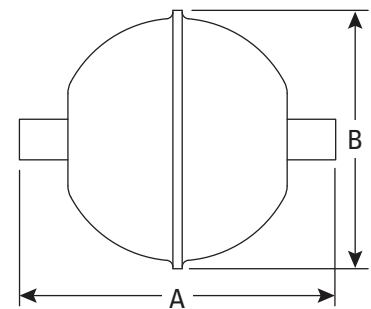
The Sahara Series bi-flow filter-drier is designed specifically for heat pump or reverse cycle applications. External check valves are not required.

Features and Benefits

- High capacity solid core design for excellent moisture and acid protection in AC and heat pump systems
- High filtration capacity for solid debris protection
- Unique, compact shape minimizes pressure drop and reduces refrigerant requirements
- Solid copper fittings for easy brazing
- High performance epoxy powder paint for excellent corrosion protection
- Minimal free internal volume reduces refrigerant filling needs
- UL Recognized component (File SA1756, cURus)

Specifications

- 650 psi (45 bar) Maximum Rated Pressure
- 100% molecular sieve to maximize water absorption
- 10 micron outlet filter (@ 50% efficiency)
- 500 hour salt spray per ASTM B117
- Patent pending design
- RoHS and REACH Compliant
- No CE marking according to Art. 3.3 PED 97/23 EC.



Dimensions

Model Number	Replaced Model	Part Number	Recommended Tonnage Air-Conditioning	Connection Size (Inches)	Overall Length		Lay-In Length "A"		Body Diameter "B"	
					Inches	mm	Inches	mm	Inches	mm
3SSBF3S	SSBF-083S	451007	1 – 3	3/8	3.38	86	2.54	65	2.77	70
5SSBF3S	SSBF-163S	451020	2 – 5	3/8	3.97	101	3.13	80	3.46	88

Performance Ratings with R-410A at AHRI Standard Conditions

Model Number	Water Capacity		Flow Capacity		Liquid Refrigerant Holding Capacity	
	Drops @ 125°F	Grams @ 52°C	Tons @ 1 psi ΔP	kW @ 0.07 bar ΔP	Ounces @ 100°F	kg @ 38°C
3SSBF3S	100	5	5.2	18.3	2.6	0.07
5SSBF3S	200	10	5.3	18.6	5.2	0.15

Gold Label™ Premium Suction Line Filter-Driers

SLD Series - For Refrigeration and Air Conditioning

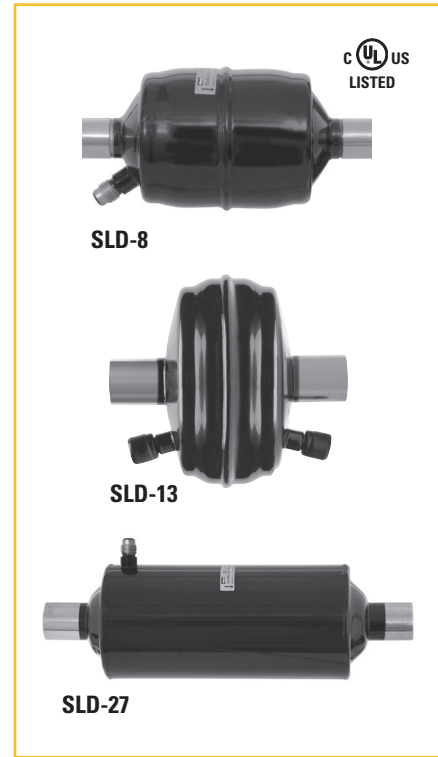
The SLD Series is a solid core clean-up filter-drier for use in the suction line for both refrigeration and air conditioning systems. The compact design incorporates a large outside diameter shell, which results in a shorter lay-in length, and a larger core, which provides a greater filtration area for maximum operating efficiency.

The core material has controlled porosity which effectively removes and holds a maximum amount of contaminants with a minimal pressure drop. In addition, the core material collects and holds acids and other harmful contaminants present after a motor burnout.

Access valves make it easy to measure pressure accurately. The SLD-8 and SLD-27 each have one access fitting. The SLD-13 and SLD-15 each have two access fittings. Occasionally, enough contaminant matter may collect in the filter core to cause a slight pressure drop.

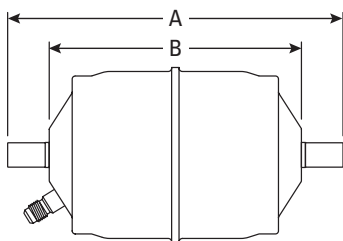
Features and Benefits

- Made in the USA
- Molded porous core
- High acid capacity
- Low pressure drop — exceptionally high flow rates
- Designed for system clean-up
- 500 hours salt spray protection
- Short system cut-out lengths allow installation in tight areas
- Access valves simplify pressure drop measurement
- ODF Solder fittings
- 355 psig (24.5 bar) MRP
- UL Listed under SMGT/SMGT7-SA1756

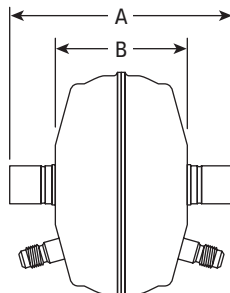


Premium Suction Line Filter-Drier – Specifications

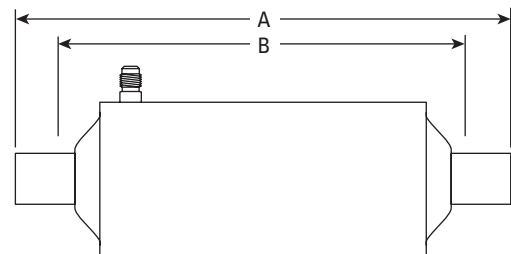
Model No.	Part Number	Fitting (Inches)	Desiccant (Cu. In.)	Filter Area (Sq. In.)	Overall Length "A"		System Cutout Length "B"		Shell Diameter	
					Inches	mm	Inches	mm	Inches	mm
SLD 8-3SV-HH	450044-001	3/8 ODF Solder	8	21	5.30	135	4.42	112	2.69	68
SLD 8-4SV-HH	450039-001	1/2 ODF Solder	8	21	5.42	138	4.42	112	2.69	68
SLD 8-5SV-HH	450020-001	5/8 ODF Solder	8	21	5.66	144	4.42	112	2.69	68
SLD 8-6SV-HH	450027-001	3/4 ODF Solder	8	21	5.98	152	4.60	117	2.69	68
SLD 13-5SV-HH	450040-001	5/8 ODF Solder	14	27	4.38	111	4.00	102	4.42	112
SLD 13-6SV-HH	450023-001	3/4 ODF Solder	14	27	4.83	123	3.45	88	4.42	112
SLD 13-7SV-HH	450022-001	7/8 ODF Solder	14	27	4.98	126	3.48	88	4.42	112
SLD 13-9SV-HH	450053-001	1-1/8 ODF Solder	14	27	4.93	125	3.11	79	4.42	112
SLD 27-6SV-HH	450230-001	3/4 ODF Solder	27	53	9.67	246	8.29	210	3.03	77
SLD 27-7SV-HH	450042-001	7/8 ODF Solder	27	53	9.82	249	8.32	211	3.03	77
SLD 27-9SV-HH	450041-001	1-1/8 ODF Solder	27	53	9.75	248	7.93	201	3.03	77



SLD 8 Model



SLD 13 Model



SLD 27 Model

Gold Label™ Premium Suction Line Filter-Driers

SLD Series - For Refrigeration and Air Conditioning

Flow Capacity – Tons of Refrigeration

Refrigerant	R-22/407			R-134a		R-404A/507			R-410A		
	40	0	-20	40	0	20	0	-40	40	0	-20
Evaporator Temp °F	3	1.5	1	2.0	1.0	3	1.5	0.5	3.0	1.5	1.0
Pressure Drop PSI											
SLD 8-3SV-HH	2.1	0.9	0.5	1.3	0.5	1.5	0.6	0.2	2.6	1.1	0.7
SLD 8-4SV-HH	2.1	0.9	0.5	1.3	0.5	1.5	0.6	0.2	2.6	1.1	0.7
SLD 8-5SV-HH	3.0	1.2	0.7	1.8	0.7	2.1	0.8	0.3	3.8	1.6	0.9
SLD 8-6SV-HH	4.0	1.6	1.0	2.4	0.9	2.8	1.1	0.4	5.0	2.1	1.2
SLD 13-5SV-HH	3.6	1.5	0.9	2.2	0.8	2.5	1.0	0.3	4.5	1.9	1.1
SLD 13-6SV-HH	4.9	2.0	1.2	2.9	1.1	3.4	1.4	0.5	6.2	2.5	1.5
SLD 13-7SV-HH	5.4	2.2	1.3	3.2	1.2	3.8	1.5	0.5	6.8	2.8	1.7
SLD 13-9SV-HH	7.1	2.9	1.8	4.3	1.6	5.0	2.0	0.7	8.9	3.7	2.2
SLD 27-6SV-HH	4.4	1.8	1.1	2.8	1.1	2.9	1.3	0.5	5.8	2.4	1.4
SLD 27-7SV-HH	5.3	2.2	1.3	3.2	1.2	3.7	1.5	0.5	6.7	2.7	1.6
SLD 27-9SV-HH	5.9	2.4	1.5	3.5	1.3	4.1	1.6	0.6	7.4	3.1	1.8

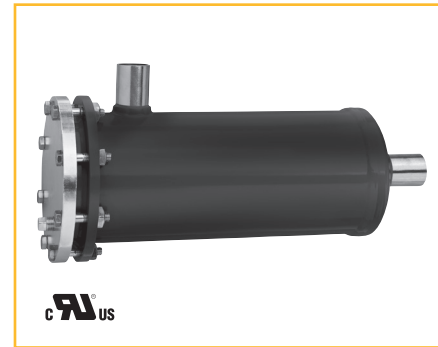
Flow Capacity – kW of Refrigeration

Refrigerant	R-22/407			R-134a		R-404A/507			R-410A		
	4	-18	-29	4	-18	-6	-18	-40	4	-18	-29
Evaporator Temp °C	0.21	0.11	0.07	0.14	0.07	0.21	0.11	0.04	0.21	0.11	0.07
Pressure Drop Bar											
SLD 8-3SV-HH	7.4	3.0	1.8	4.4	1.6	5.1	2.0	0.7	9.3	3.8	2.3
SLD 8-4SV-HH	7.4	3.0	1.8	4.4	1.6	5.1	2.0	0.7	9.3	3.8	2.3
SLD 8-5SV-HH	10.5	4.3	2.6	6.3	2.3	7.4	2.9	1.0	13.2	5.4	3.3
SLD 8-6SV-HH	14.0	5.7	3.5	8.4	3.1	9.8	3.9	1.4	17.6	7.3	4.3
SLD 13-5SV-HH	12.6	5.2	3.1	7.6	2.8	8.8	3.5	1.2	15.9	6.5	3.9
SLD 13-6SV-HH	17.2	7.0	4.2	10.3	3.8	12.0	4.8	1.7	21.6	8.9	5.3
SLD 13-7SV-HH	18.9	7.7	4.7	11.3	4.2	13.2	5.2	1.8	23.8	9.8	5.9
SLD 13-9SV-HH	24.9	10.2	6.1	14.9	5.5	17.4	6.9	2.4	31.3	12.9	7.7
SLD 27-6SV-HH	15.4	6.3	3.8	9.8	3.8	10.2	4.5	1.8	20.4	8.4	4.9
SLD 27-7SV-HH	18.6	7.6	4.6	11.1	4.1	13.0	5.1	1.8	23.4	9.6	5.8
SLD 27-9SV-HH	20.7	8.5	5.1	12.4	4.5	14.5	5.7	2.0	26.0	10.7	6.4

Replaceable Core Filter-Drier Shells

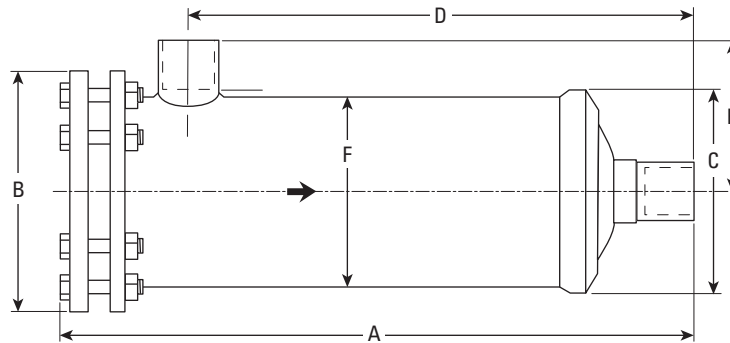
Parker replaceable core filter-drier shells are designed to provide flexibility over a wide range of applications. All models are designed for use in both the liquid and suction line of air conditioning or refrigeration systems. In single or multiple-core applications, cores may be loaded individually for ease of installation in tight spots. A wide range of fittings for suction-line applications and interchangeable lay-in dimensions with other manufactured models increase product versatility.

The internal assembly allows the use of Parker's PCX-48, PCK-48 or PCK-48HH molded cores for the removal of moisture, acid, particles, resins and wax. The assembly allows the use of the Parker PFE-48BF filter element which removes solid contaminants such as copper oxides, chips and other metal fines.



Features and Benefits

- Made in the USA
- ODF Solder fittings – 5/8" to 3-1/8"
- Powder paint exterior coating surpasses 500 hour ASTM salt spray test to resist corrosion
- Aluminum end plate with access port
- Rated 650 psig (44.8 bar) for R-410A
- UL Recognized under SMGT/SMGT8-SA1756



Replaceable Core Shell Dimensions

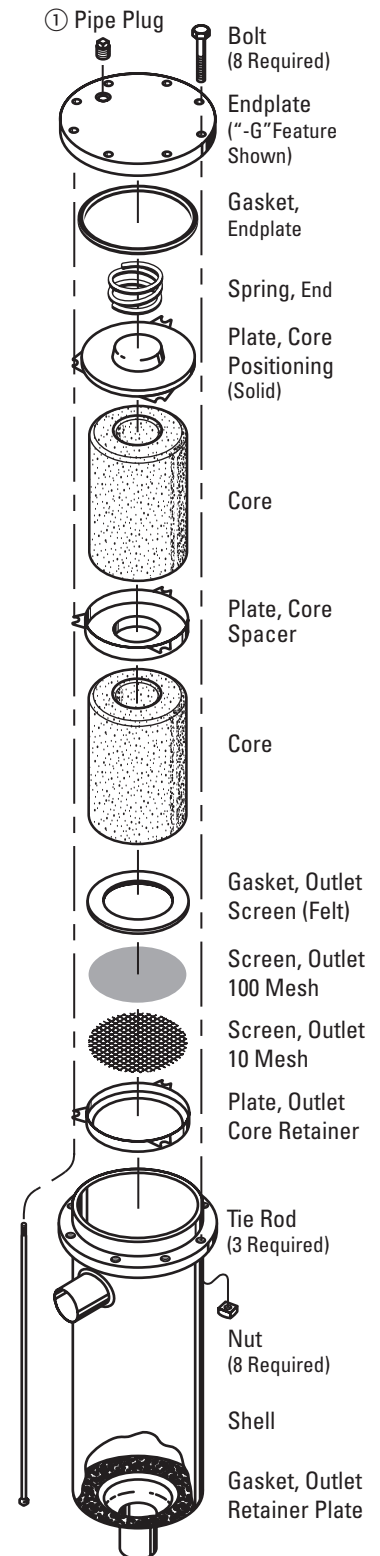
Model Number	Part Number	No. of Cores	Connection Size & Type (Inches)	Dimensions											
				A		B		C		D		E		F	
				Inches	mm	Inches	mm	Inches	mm	Inches	mm	Inches	mm	Inches	mm
P485	400700	1	5/8 ODF	9.15	232	6.00	152	5.00	127	5.92	150	3.50	88	4.75	121
P487	400701	1	7/8 ODF	9.30	236	6.00	152	5.00	127	6.07	154	3.97	101	4.75	121
P489	400708	1	1-1/8 ODF	9.50	241	6.00	152	5.00	127	6.37	162	4.19	106	4.75	121
P967	400702	2	7/8 ODF	14.84	377	6.00	152	5.00	127	11.61	295	3.97	101	4.75	121
P969	400703	2	1-1/8 ODF	15.04	382	6.00	152	5.00	127	11.81	300	4.19	106	4.75	121

Replaceable Core Filter-Drier Shells

Internal Component Kits for Replaceable Core Shells

Model Number	Part Number	Description	Contents
-	481289	Bolts	5/16" x 1-3/4" Semagard coated steel (8 required, sold individually)
-	481287	Nuts	5/16" stainless steel (8 required, sold individually)
K-RC480-C	481349	One Core Shell	(1) Outer retainer plate gasket (1) Core positioning plate (1) Outlet core retainer plate (1) Outlet screen 100 mesh (1) End spring (3) Tie rod
K-RC960-C	481359	Two Core Shell	(1) Outer retainer plate gasket (1) Core positioning plate (1) Core spacer plate (1) Outlet core retainer plate (1) Outlet screen 100 mesh (1) End spring (3) Tie rod
K-RC1440-C	481369	Three Core Shell	(1) Outer retainer plate gasket, (1) Core positioning plate, (2) Core spacer plate, (1) Outlet core retainer plate, (1) Outlet screen 100 mesh, (1) End spring (3) Tie rod
K-RC1920-C	481379	Four Core Shell	(1) Outer retainer plate gasket (1) Core positioning plate (3) Core spacer plate, (1) Outlet core retainer plate, (1) Outlet screen 100 mesh, (1) End spring (3) Tie rod
1288-001	481125	End Plate Gasket	(1) 1/16" thick endplate gasket
-	183174	Access Valve Kit	1/4" SAE X 1/4" NPT, for endplate

① Access valve (P/N: 183174) is available. Valve core (P/N: 480088) can be purchased separately.



Replacement Filter Element and Cores

PCX-48 High Capacity Gold Label Core (Part Number 450096)

For use in either liquid or suction line applications, the PCX-48 offers added moisture capacity and good acid capacity when compared to the PCK-48 core.



PCK-48 Clean-up Core (Part Number 450094-001)

For use in either liquid or suction line applications, the PCK-48 is specifically formulated for burnouts where wax is not the issue. It's formulation allows for superior clean-up of acids, varnishes, sludge and moisture.



PCK-48HH Charcoal Burnout Core (Part Number 450095-001)

Formulated with charcoal to remove wax on low temperature systems even before problems occur. The PCK-48HH can be used in either liquid or suction line applications and also removes acids, water, solids and sludge. Recommended for refrigerant reclaim/recovery units.



Replacement Filter Element and Cores

Water Capacity In Drops (Grams*) at AHRI-710 Conditions

Core Model	R-22 (60 ppm)		R-134a (50 ppm)		R-404A, R-507A (50 ppm)		R-407C (50 ppm)	
	75°F (24°C)	125°F (52°C)	75°F (24°C)	125°F (52°C)	75°F (24°C)	125°F (52°C)	75°F (24°C)	125°F (52°C)
PCK-48	697	524	762	591	766	584	534	392
PCK-48HH	474	322	518	363	521	359	363	241
PCK-48	549	386	600	435	604	430	420	288

* 20 Drops = 1 Gram = 1 cc

Liquid Line Selection Recommendations – Tons (kW)

Shell	No. of Cores	Connection Size and Type	Refrigeration Low Temp. & Commercial Installations		Air Conditioning															
					Field Replacement & Field Installations						OEM / Self Contained Equipment									
			R-134a		R-22		R-404A, R-507		R-134a		R-22, R-407C R-410A		R-404A, R-507		R-134a		R-22, R-407C R-410A		R-404A R-507	
			Tons	kW	Tons	kW	Tons	kW	Tons	kW	Tons	kW	Tons	kW	Tons	kW	Tons	kW	Tons	kW
P485	1	5/8 ODF	8	28.1	10	35.2	8	28.1	8	28.1	10	35.2	8	28.1	10	35.2	15	52.8	10	35.2
P487	1	7/8 ODF	12	42.2	15	52.8	10	35.2	11	38.7	14	49.2	10	35.2	13	45.7	20	70.3	13	45.7
P489	1	1-1/8 ODF	12	42.2	15	52.8	10	35.2	13	45.7	17	59.8	10	35.2	15	52.8	25	87.9	15	52.8
P967	2	7/8 ODF	20	70.3	25	87.9	15	52.8	20	70.3	25	87.9	15	52.8	20	70.3	35	123	20	70.3
P969	2	1-1/8 ODF	25	87.9	35	123	20	70.3	25	87.9	33	116	20	70.3	25	87.9	40	141	25	87.9

Suction Line Selection Recommendations – Horsepower (kW)

Shell	No. of Cores	Connection Size and Type	Core Part Number	Filter Element Part No.	Refrigerant 22 & 407C				Refrigerant 12, 134a, 404A, 502, 507			
					Permanent Installation with Cores		Temporary Installation Cores for cleanup; Filter elements after cleanup		Permanent Installation with Cores		Temporary Installation Cores for cleanup; Filter elements after cleanup	
					HP	kW	HP	kW	HP	kW	HP	kW
P485	1	5/8 ODF	PCK-48HH or PCK-48	PFE-48BF	10	7.5	10	7.5	3	2.2	5	3.7
P487	1	7/8 ODF			10	7.5	10	7.5	3	2.2	5	3.7
P489	1	1-1/8 ODF			10	7.5	20	14.9	5	3.7	10	7.5
P967	2	7/8 ODF			10	7.5	10	7.5	5	3.7	5	3.7
P969	2	1-1/8 ODF			15	11.2	20	14.9	8	6.0	10	7.5

Recovery and Reclaim Filters and Pre-Filters

Parker provides a large selection of components for recovery, recycle and reclaim machines, protecting them from the many types of contaminants that are encountered during the servicing of systems.

PF Series

The PF 052 and PF 052MF are designed to provide a filtration level of 15 microns. When installed on the inlet of your machine it can prevent costly damage by filtering solid contaminants out of the refrigerant before it enters your machine. The Parker pre-filter is for temporary use only and should be changed after servicing a maximum of six to eight systems. Change out may be needed sooner depending on actual system conditions. Various fitting combinations are available.



Features and Benefits

- Made in the USA
- Female outlet fitting allows direct mounting to the machine
- Extended female end fitting provides valve handle clearance
- Male-to-male fittings allow connection to, or between, hoses
- Enlarged depth filtering area
- 500 psig (34.5 bar) MRP
- UL Listed under SMGT/SMGT8-SA1756

Dimensions

Model	Part Number	Inlet Fitting (Inches)	Outlet Fitting (Inches)	Overall Length		Shell Diameter	
				Inches	mm	Inches	mm
PF 052	450098-001	1/4 SAE male flare	1/4 SAE male flare	4.38	111	2.38	60.5
PF 0532	450199	3/8 SAE male flare	1/4-18 PTF short	4.85	123	2.38	60.5
PF 052FM	450198	1/4 SAE female flare	1/4 SAE male flare	4.33	110	2.38	60.5
PF 052MF	450099-001	1/4 SAE male flare	1/4 SAE female flare	5.02	128	2.38	60.5

SPD Series

The SPD series is an enlarged version of the PF Series with drying capabilities. This Super Pre-Filter-Drier should be installed at the inlet of the machine and used where there are concentrations of contaminants in the refrigerant. Moisture capacity of this unit size exceeds anything else currently available in the market. The Super SPD series is the ideal solution when transferring large amounts of refrigerant for reclaim or recycle.



Features and Benefits

- Made in the USA
- Super high capacity for acid and moisture removal
- Removes 504 (25.2 grams) drops of moisture vs. industry standard of 150 (7.5 grams) drops
- Compatible with all HCFC, CFC and other refrigerants and blends
- 500 psig (34.5 bar) MRP
- UL Listed under SMGT/SMGT8-SA1756

Dimensions

Model	Part Number	Inlet Fitting (Inches)	Outlet Fitting (Inches)	Overall Length		Shell Diameter	
				Inches	mm	Inches	mm
302V	450202	7/16-20 ACME	7/16-20 ACME	9.28	236	3.00	76.2
304V	450209	7/16-20 ACME	7/16-20 ACME	9.28	236	3.00	76.2

* 1-3/16" diameter copper spun reclaim filter-driers available upon request.

Loose-Fill Copper Filter-Driers – OEM

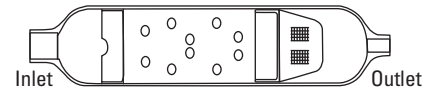
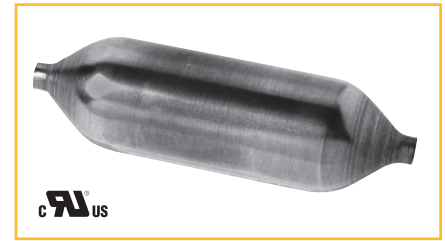
Parker’s loose-fill copper filter-driers adsorb moisture and provide physical filtration in systems between 1/4 and 2 tons (.9 to 7.0 kW). Applications include refrigerators, freezers, ice makers, dispensers, water coolers, cryogenics and walk-ins.

Applications

- Refrigeration systems between 1/4 and 2 tons (.9 to 7.0 kW)
- Up to 30 grams of 100% molecular sieve provide maximum water adsorption

Features and Benefits

- Made in the USA
- One-piece copper shells in 3/4" to 1" O.D. (19.1 to 25.4 mm), spun ODF solder connections in a variety of sizes, provide easy installation, simple brazing, and corrosion resistance
- Filter-driers also available with standard charging tubes, SAE flare fittings, stepped-tubes on the inlet/outlet, and coiled capillary or bent tubing to match the unique requirements of a unit
- UL Recognized under SMGT2/SMGT8-SA1756



Recommended tonnages: 1/4 to 2 tons (.9 to 7.0 kW) depending on application and system. Consult Parker.

3/4" O.D. Shell Diameter – Specifications

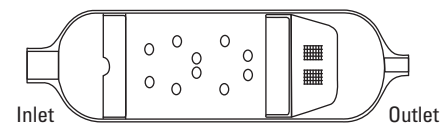
Part No.	Molecular Sieve (wt.)	Description	UL Model	Maximum Rated Pressure		Tube Diameter		Overall Length		Inlet (Inches)	Outlet (Inches)
				PSIG*	bar	Inches	mm	Inches	mm		
032519-00	10 g	3/4" two inlets, one outlet	700	540	37.2	0.75	19	4.80	122	(2) 1/4	1/4
057967-00		3/4" one inlet, two outlets						4.38	111	1/4	(2) 1/4
057980-02		3/4" directional						4.00	102	1/4	.095-.100 cap tube

One and two inlets are available as well as cap tube sizes on outlet from .081 to .125.
* Filter-driers are available with higher working pressures for R-410A.

3/4" O.D. Shell Diameter – Water Capacity In Drops (Grams*) at AHRI-710 Conditions

Part No.	Water Capacity in Drops										
	R-22 (60 ppm)		R-134a (50 ppm)		R-404A, R-507 (50 ppm)		R-407C (50 ppm)		R-410A (50 ppm)		
	75°F (24°C)	125°F (52°C)	75°F (24°C)	125°F (52°C)	75°F (24°C)	125°F (52°C)	75°F (24°C)	125°F (52°C)	75°F (24°C)	125°F (52°C)	
032519-00											
057967-00	29.8	27.4	32.6	31.0	32.8	30.6	26.2	23.6	19.8	17.4	
057980-02											

* 20 Drops = 1 Gram = 1 cc



1" O.D. Shell Diameter Copper Filter-Drier Data

Part No.	Molecular Sieve (wt.)	Description	UL Model	Maximum Rated Pressure		Tube Diameter		Overall Length		Inlet (Inches)	Outlet (Inches)
				PSIG*	bar	Inches	mm	Inches	mm		
032083-00	12 g	1" directional	1025	700	48.3	1.00	2.5	4.00	102	1/4	.093-.098 cap tube
058066-00	15 g	1" two inlets, directional	1035	750	51.7			4.19	106	1/4 3/8	3/16
057404-00	16 g	1" directional	1025	700	48.3			3.81	97	5/16	5/16

Recommended Tonnages (Part Numbers 032083-00 and 058066-00): 1/4 to 1/2 tons (.9 to 1.8 kW) depending on application and system. Consult Parker.
(Part Number 057404-00): R-22 = 2 tons (7.0 kW), R-134a = 2 tons (7.0 kW), R-404A = 1.3 tons (4.6 kW), R-410A = 2 tons (7.0 kW), R-507 = 1.3 tons (4.6 kW)

1" O.D. Shell Diameter – Water Capacity In Drops (Grams*) at AHRI-710 Conditions

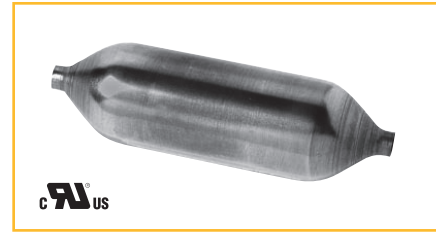
Part No.	Water Capacity in Drops									
	R-22 (60 ppm)		R-134a (50 ppm)		R-404A, R-507 (50 ppm)		R-407C (50 ppm)		R-410A (50 ppm)	
	75°F (24°C)	125°F (52°C)	75°F (24°C)	125°F (52°C)	75°F (24°C)	125°F (52°C)	75°F (24°C)	125°F (52°C)	75°F (24°C)	125°F (52°C)
032083-00	N/R	N/R	40.3	37.7	N/R	N/R	N/R	N/R	N/R	N/R
058066-00	44.7	41.1	48.9	46.5	49.2	45.9	39.3	35.4	29.7	26.1
057404-00	54.7	50.6	59.8	57.0	59.5	56.0	41.9	37.8	32.3	28.8

N/R = not rated. Consult Parker for more information.

* 20 Drops = 1 Gram = 1 cc

Loose-Fill Spring-Loaded Copper Filter-Driers – OEM

Parker’s loose-fill spring-loaded copper filter-driers adsorb moisture and provide physical filtration to air conditioning and heat-pump systems between 1/4 and 5 tons (.9 and 17.6 kW). Filter-driers utilize spring-loaded desiccant bed to prevent desiccant attrition.



Application

- Air conditioning and heat pump systems between 1/4 and 5 tons (.9 and 17.6 kW)

- Filter-driers also available with standard charging tubes, SAE flare fittings, stepped-tubes on the inlet/outlet, and coiled capillary or bent tubing to match the unique requirements of a unit

Features and Benefits

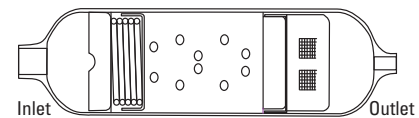
- Made in the USA

- One-piece copper shells in 1" to 1-5/8" O.D. (25.4 to 41.3 mm), along with spun ODF solder fittings in a variety of sizes, provide easy installation, simplified brazing and corrosion resistance

- Filter-driers are available with a fiberglass pad for improved filtration – removes down to 20 micron sized particles

- UL Recognized under SMGT2/SMGT8-SA1756

- Up to 90 grams of 100% molecular sieve provide maximum water adsorption



1" O.D. Shell Diameter – Specifications

Part No.	Molecular Sieve (wt.)	Description	UL Model	Maximum Rated Pressure		Tube Diameter		Overall Length		Inlet (Inches)	Outlet (Inches)
				PSIG	bar	Inches	mm	Inches	mm		
032231-00	10 g	1" two inlets, directional	1035	750	51.7	1.00	25	4.25	108	3/16 3/8	.125 cap tube
054625-01	13.5 g	1" directional						4.38	111	1/4	1/4
056242-03	13.5 g	1" directional						4.38	111	3/8	3/8
053817-01	25 g	1" directional						5.69	145	3/8	3/8

One and two inlets are available as well as cap tube sizes on outlet from .125 to .50.

Flow Capacity – Tons @ 1psi ΔP (kW @ 0.07 bar ΔP)

Part No.	R-22		R-134a		R-404A		R-407C		R-410A		R-507	
	Tons	kW	Tons	kW	Tons	kW	Tons	kW	Tons	kW	Tons	kW
032231-00	Recommended Tonnages: 1/2 to 1 tons (1.8 to 3.5 kW) depending on application and system. Consult Parker.											
054625-01	1.5	5.3	1.6	5.6	1.2	4.2	1.4	4.9	1.7	6.0	1.2	4.2
056242-03	3.6	12.7	3.3	11.6	2.4	8.4	3.5	12.3	3.5	12.3	2.3	8.1
053817-01	3	10.6	2.7	9.5	2	7.0	2.9	10.2	2.9	10.2	2	7.0

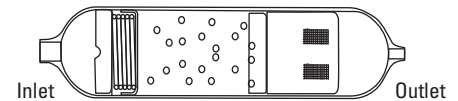
Tonnage (kW) ratings will vary depending on the inlet and outlet requested.

1" O.D. Shell Diameter – Water Capacity In Drops (Grams*) at AHRI-710 Conditions

Part No.	Water Capacity in Drops									
	R-22 (60 ppm)		R-134a (50 ppm)		R-404A, R-507 (50 ppm)		R-407C (50 ppm)		R-410A (50 ppm)	
	75°F (24°C)	125°F (52°C)	75°F (24°C)	125°F (52°C)	75°F (24°C)	125°F (52°C)	75°F (24°C)	125°F (52°C)	75°F (24°C)	125°F (52°C)
032231-00	29.8	27.4	32.6	31.0	32.8	30.6	26.2	23.6	19.8	17.4
054625-01	46.2	42.7	50.5	48.1	50.2	47.3	49.4	44.8	27.3	24.3
056242-03	46.2	42.7	50.5	48.1	50.2	47.3	49.4	44.8	27.3	24.3
053817-01	85.5	79.0	93.5	89.0	93.0	87.5	91.5	83.0	50.5	45.0

* 20 Drops = 1 Gram = 1 cc

Loose-Fill Spring-Loaded Copper Filter-Driers – OEM



1-3/16" O.D. Shell Diameter – Specifications

Part No.	Molecular Sieve (wt.)	Description	UL Model	Maximum Rated Pressure		Tube Diameter		Overall Length		Inlet (Inches)	Outlet (Inches)
				PSIG*	bar	Inches	mm	Inches	mm		
056243-03	25 g	1-3/16 OD 3/8" x 3/8"	319F	750	51.7	1.19	30	5.13	130	3/8	3/8
056243-04		1-3/16 OD 1/2" x 1/2"								1/2	1/2

One and two inlets are available as well as cap tube sizes on outlet from .125 to .50.

Flow Capacity – Tons @ 1psi ΔP (kW @ 0.07 bar ΔP)

Part No.	R-22		R-134a		R-404A, R-507		R-407C		R-410A		R-507	
	Tons	kW	Tons	kW	Tons	kW	Tons	kW	Tons	kW	Tons	kW
056243-04	4.8	16.9	4.4	15.5	3.1	10.9	4.6	16.2	4.7	16.5	3.1	10.9
056243-03	3.6	12.7	3.3	11.6	2.3	8.1	3.5	12.3	3.5	12.3	2.3	8.1

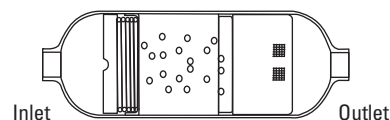
Tonnage (kW) ratings will vary depending on the inlet and outlet requested.

1-3/16" O.D. Shell Diameter – Water Capacity In Drops (Grams*) at AHRI-710 Conditions

Part No.	Water Capacity in Drops									
	R-22 (60 ppm)		R-134a (50 ppm)		R-404A, R-507 (50 ppm)		R-407C (50 ppm)		R-410A (50 ppm)	
	75°F (24°C)	125°F (52°C)	75°F (24°C)	125°F (52°C)	75°F (24°C)	125°F (52°C)	75°F (24°C)	125°F (52°C)	75°F (24°C)	125°F (52°C)
056243-04	85.5	79.0	93.5	89.0	93.0	87.5	65.5	59.0	50.5	45.0
056243-03	85.5	79.0	93.5	89.0	93.0	87.5	65.5	59.0	50.5	45.0

* 20 Drops = 1 Gram = 1 cc

Loose-Fill Spring-Loaded Copper Filter-Driers – OEM



1-5/8" O.D. Shell Diameter – Specifications

Part No.	Molecular Sieve (wt.)	Description	UL Model	Maximum Rated Pressure		Tube Diameter		Overall Length		Inlet (Inches)	Outlet (Inches)
				PSIG*	bar	Inches	mm	Inches	mm		
032040-01	45 g	1-5/8 OD 3/8"x3/8" 45g	1638F	850	58.6	1.63	41	6.00	152	3/8	3/8
032145-00	28 g	1-5/8 OD 3/8"x3/8" 28g						4.38	111	3/8	3/8
031805-03	35 g	1-5/8 OD 3/8"x3/8" 35g						5.50	140	3/8	3/8
056244-01	45 g	1-5/8 OD 3/8"x3/8" 45g (w/ 2x the filter area of 031805-03)						5.38	137	3/8	3/8
056156-01	90 g	1-5/8 OD 3/8"x3/8" 90g (w/ 2x the filter area of 031805-03)						7.00	178	1/4	1/4

One and two inlets are available as well as cap tube sizes on outlet from .125 to .50.

Flow Capacity – Tons @ 1psi ΔP (kW @ 0.07 bar ΔP)

Part No.	R-22		R-134a		R-404A, R-507		R-407C		R-410A		R-507	
	Tons	kW	Tons	kW	Tons	kW	Tons	kW	Tons	kW	Tons	kW
032040-00	5.8	20.4	5.3	18.6	3.8	13.4	5.6	19.7	5.7	20	3.8	13.4
032145-00	4.7	16.5	4.3	15.1	3.1	10.9	4.5	15.8	4.6	16.2	3.1	10.9
031805-03	5.1	17.9	4.7	16.5	3.3	11.6	4.9	17.2	5	17.6	3.3	11.6
056244-01	5	17.6	4.5	15.8	3.2	11.3	4.8	16.9	4.8	16.9	3.2	11.3
056156-01	1.8	6.3	1.6	5.6	1.2	4.2	1.7	6.0	1.7	6.0	1.2	4.2

Tonnage (kW) ratings will vary depending on the inlet and outlet requested.

1-5/8" O.D. Shell Diameter – Water Capacity In Drops (Grams*) at AHRI-710 Conditions

Part No.	Water Capacity in Drops									
	R-22 (60 ppm)		R-134a (50 ppm)		R-404A, R-507 (50 ppm)		R-407C (50 ppm)		R-410A (50 ppm)	
	75°F (24°C)	125°F (52°C)	75°F (24°C)	125°F (52°C)	75°F (24°C)	125°F (52°C)	75°F (24°C)	125°F (52°C)	75°F (24°C)	125°F (52°C)
032040-00	153.9	142.2	168.3	160.2	167.4	157.5	117.9	106.2	90.9	81.0
032145-00	83.4	76.7	91.3	86.8	91.8	85.7	73.4	66.1	55.4	48.7
031805-03	119.7	110.6	130.9	124.6	130.2	122.5	91.7	82.6	70.7	63.0
056244-01	153.9	142.2	168.3	160.2	167.4	157.5	117.9	106.2	90.9	81.0
056156-01	307.8	284.4	336.6	320.4	334.8	315.0	235.8	212.4	181.8	162.0

* 20 Drops = 1 Gram = 1 cc

Transcritical Carbon Dioxide Filter-Driers

Type CO

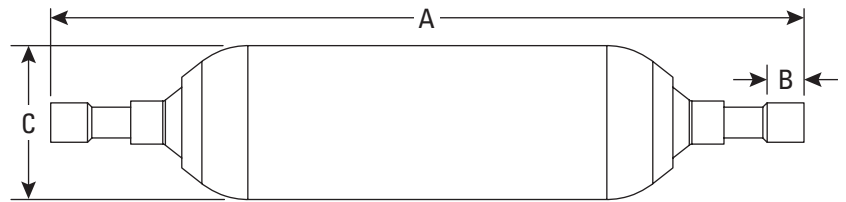
The CO Series product offering has been designed to withstand the extreme pressure of transcritical carbon dioxide (R-744) systems while providing complete system protection in a compact design. A unique combination of moisture, acid, and solid debris removal extends the life, reliability, and capacity of these systems that operate under extreme conditions.

These models are ideal for application in vending machine and beverage dispensing equipment. Combining ideal capability in a compact size, the CO Series enables system optimization while maximizing protection and cost effectiveness



Features and Benefits

- Made in the USA
- 2,250 psi (155 bar) MRP
- 6,750 psi (465 bar) Burst Pressure Rating
- UL Recognized under SMGT2/ SMGT8-SA1756
- Solid copper connections for fast, easy system connection
- Desiccants optimized for use with R-744



CO Series Dimensions and Flow Capacities

Model No.	Connection Size ODF Solder Inches	Overall Length "A"		Socket Depth "B"		Typical Shell Diameter "C"		Drops of R-744 Water Capacity @ 140°F (60°C)	R-744 Flow Capacity	
		Inches	mm	Inches	mm	Inches	mm		Tons	kW
CO-0115-S	3/16	5.72	145	0.20	5.0	0.88	22.4	30	0.7	2.5
CO-012-S	1/4	5.72	145	0.25	6.4	0.88	22.4	30	1.7	6.0
CO-022-S	1/4	6.25	159	0.25	6.4	1.25	31.8	60	2.3	8.0
CO-082-S	1/4	10.94	278	0.25	6.4	2.38	61	200	2.7	8.4
CO-085-S	5/8	10.94	278	0.50	12.7	2.38	61	200	9.8	34

*Flow ratings based on 20°F (-5°C) liquid, -20°F (-29°C) evaporator.

Refrigerant Holding Capacities

Model No.	Internal Volume (Cubic Inches)	Liquid Density lbm/ft ³ @ -20°F	Liquid Weight		Liquid Density lbm/ft ³ @ 20°F	Liquid Weight	
			Ounces	Grams		Ounces	Grams
CO-0115-S	0.81	66.86	0.50	14.22	60.26	0.45	12.81
CO-012-S	0.81		0.50	14.22		0.45	12.81
CO-022-S	2.03		1.26	35.63		1.13	32.11
CO-082-S	6.85		4.24	120.22		3.82	108.36
CO-085-S	8.00		4.95	140.41		4.46	126.55

FOR USE ON REFRIGERATION AND/OR AIR CONDITIONING SYSTEMS ONLY.

Hydrocarbon Optimized Filter-Drier

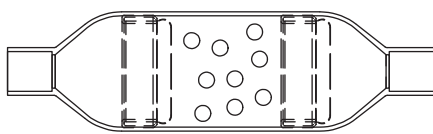
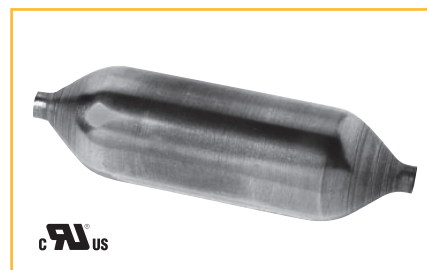
Features and Benefits

Model 058832-00

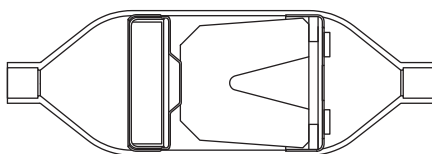
- Made in the USA
- 3/4" shell OD, 1/4" ODF
- Loose fill style, 100% MS
- **Moisture Capacity:** 16 drops of water at 50 ppm, 125 deg. R-290
- **Refrigerant Holding Capacity:** 2.36 g of R-290 at 100°F
- **Contaminant Holding:** 120 mesh brass screen
- UL Recognized under SMGT2/ SMGT8-SA1756

Model 032705-00

- Made in the USA
- 1-3/16" OD, 1/4" ODF
- Core style
- **Moisture Capacity:** 30 drops of water at 50 ppm, 125 deg. R-290
- **Refrigerant Holding Capacity:** 7.2 g of R-290 at 100°F
- **Contaminant Holding:** Inlet filter and solid desiccant core for high efficiency, solid contamination removal
- UL Recognized under SMGT2/ SMGT8-SA1756



Model 058832-00



Model 032705-00

Dimensions and Flow Capacities

Part No.	Connection Size ODF Solder Inches	Overall Length		Socket Depth		R-290 Holding Capacity @ 100°F		UL Model	MRP	
		Inches	mm	Inches	mm	Ounces	Grams		psig	bar
058832-00	1/4	2.7	69	0.25	6.4	0.08	2.36	700	540	37.2
032705-00	1/4	3.5	89	0.25	6.4	0.25	7.2	319F	750	51.7

OFFER OF SALE

The items described in this document and other documents and descriptions provided by Parker Hannifin Corporation, its subsidiaries and its authorized distributors ("Seller") are hereby offered for sale at prices to be established by Seller. This offer and its acceptance by any customer ("Buyer") shall be governed by all of the following Terms and Conditions. Buyer's order for any item described in its document, when communicated to Seller verbally, or in writing, shall constitute acceptance of this offer. All goods or work described will be referred to as "Products".

1. **Terms and Conditions.** Seller's willingness to offer Products, or accept an order for Products, to or from Buyer is expressly conditioned on Buyer's assent to these Terms and Conditions and to the terms and conditions found on-line at www.parker.com/saleterms/. Seller objects to any contrary or additional term or condition of Buyer's order or any other document issued by Buyer.

2. **Price Adjustments; Payments.** Prices stated on the reverse side or preceding pages of this document are valid for 30 days. After 30 days, Seller may change prices to reflect any increase in its costs resulting from state, federal or local legislation, price increases from its suppliers, or any change in the rate, charge, or classification of any carrier. The prices stated on the reverse or preceding pages of this document do not include any sales, use, or other taxes unless so stated specifically. Unless otherwise specified by Seller, all prices are F.O.B. Seller's facility, and payment is due 30 days from the date of invoice. After 30 days, Buyer shall pay interest on any unpaid invoices at the rate of 1.5% per month or the maximum allowable rate under applicable law.

3. **Delivery Dates; Title and Risk; Shipment.** All delivery dates are approximate and Seller shall not be responsible for any damages resulting from any delay. Regardless of the manner of shipment, title to any products and risk of loss or damage shall pass to Buyer upon tender to the carrier at Seller's facility (i.e., when it's on the truck, it's yours). Unless otherwise stated, Seller may exercise its judgment in choosing the carrier and means of delivery. No deferral of shipment at Buyers' request beyond the respective dates indicated will be made except on terms that will indemnify, defend and hold Seller harmless against all loss and additional expense. Buyer shall be responsible for any additional shipping charges incurred by Seller due to Buyer's changes in shipping, product specifications or in accordance with Section 13, herein.

4. **Warranty.** Seller warrants that the Products sold hereunder shall be free from defects in material or workmanship for a period of five years from the date of delivery to Buyer. This warranty is made only to Buyer and does not extend to anyone to whom Products are sold after purchased from Seller. The prices charged for Seller's products are based upon the exclusive limited warranty stated above, and upon the following disclaimer: **DISCLAIMER OF WARRANTY: THIS WARRANTY COMPRISES THE SOLE AND ENTIRE WARRANTY PERTAINING TO PRODUCTS PROVIDED HEREUNDER. SELLER DISCLAIMS ALL OTHER WARRANTIES, EXPRESS AND IMPLIED, INCLUDING MERCHANTABILITY AND FITNESS FOR A PARTICULAR PURPOSE.**

5. **Claims; Commencement of Actions.** Buyer shall promptly inspect all Products upon delivery. No claims for shortages will be allowed unless reported to the Seller within 10 days of delivery. No other claims against Seller will be allowed unless asserted in writing within 60 days after delivery or, in the case of an alleged breach of warranty, within 30 days after the date within the warranty period on which the defect is or should have been discovered by Buyer. Any action based upon breach of this agreement or upon any other claim arising out of this sale (other than an action by Seller for any amount due to Seller from Buyer) must be commenced within thirteen months from the date of tender of delivery by Seller or, for a cause of action based upon an alleged breach of warranty, within thirteen months from the date within the warranty period on which the defect is or should have been discovered by Buyer.

6. **LIMITATION OF LIABILITY.** UPON NOTIFICATION, SELLER WILL, AT ITS OPTION, REPAIR OR REPLACE A DEFECTIVE PRODUCT, OR REFUND THE PURCHASE PRICE. **IN NO EVENT SHALL SELLER BE LIABLE TO BUYER FOR ANY SPECIAL, INDIRECT, INCIDENTAL OR CONSEQUENTIAL DAMAGES ARISING OUT OF, OR AS THE RESULT OF, THE SALE, DELIVERY, NON-DELIVERY, SERVICING, USE OR LOSS OF USE OF THE PRODUCTS OR ANY PART THEREOF, OR FOR ANY CHARGES OR EXPENSES OF ANY NATURE INCURRED WITHOUT SELLER'S WRITTEN CONSENT, EVEN IF SELLER**

HAS BEEN NEGLIGENT, WHETHER IN CONTRACT, TORT OR OTHER LEGAL THEORY. IN NO EVENT SHALL SELLER'S LIABILITY UNDER ANY CLAIM MADE BY BUYER EXCEED THE PURCHASE PRICE OF THE PRODUCTS.

7. **Contingencies.** Seller shall not be liable for any default or delay in performance if caused by circumstances beyond the reasonable control of Seller.

8. **User Responsibility.** The user, through its own analysis and testing, is solely responsible for making the final selection of the system and Product and assuring that all performance, endurance, maintenance, safety and warning requirements of the application are met. The user must analyze all aspects of the application and follow applicable industry standards and Product information. If Seller provides Product or system options, the user is responsible for determining that such data and specifications are suitable and sufficient for all applications and reasonably foreseeable uses of the Products or systems.

9. **Loss to Buyer's Property.** Any designs, tools, patterns, materials, drawings, confidential information or equipment furnished by Buyer or any other items which become Buyer's property, may be considered obsolete and may be destroyed by Seller after two consecutive years have elapsed without Buyer placing an order for the items which are manufactured using such property. Seller shall not be responsible for any loss or damage to such property while it is in Seller's possession or control.

10. **Special Tooling.** A tooling charge may be imposed for any special tooling, including without limitation, dies, fixtures, molds and patterns, acquired to manufacture Products. Such special tooling shall be and remain Seller's property notwithstanding payment of any charges by Buyer. In no event will Buyer acquire any interest in apparatus belonging to Seller which is utilized in the manufacture of the Products, even if such apparatus has been specially converted or adapted for such manufacture and notwithstanding any charges paid by Buyer. Unless otherwise agreed, Seller shall have the right to alter, discard or otherwise dispose of any special tooling or other property in its sole discretion at any time.

11. **Buyer's Obligation; Rights of Seller.** To secure payment of all sums due or otherwise, Seller shall retain a security interest in the goods delivered and this agreement shall be deemed a Security Agreement under the Uniform Commercial Code. Buyer authorizes Seller as its attorney to execute and file on Buyer's behalf all documents Seller deems necessary to perfect its security interest. Seller shall have a security interest in, and lien upon, any property of Buyer in Seller's possession as security for the payment of any amounts owed to Seller by Buyer.

12. **Improper use and Indemnity.** Buyer shall indemnify, defend, and hold Seller harmless from any claim, liability, damages, lawsuits, and costs (including attorney fees), whether for personal injury, property damage, patent, trademark or copyright infringement or any other claim, brought by or incurred by Buyer, Buyer's employees, or any other person, arising out of: (a) improper selection, improper application or other misuse of Products purchased by Buyer from Seller; (b) any act or omission, negligent or otherwise, of Buyer; (c) Seller's use of patterns, plans, drawings, or specifications furnished by Buyer to manufacture Product; or (d) Buyer's failure to comply with these terms and conditions. Seller shall not indemnify Buyer under any circumstance except as otherwise provided.

13. **Cancellations and Changes.** Orders shall not be subject to cancellation or change by Buyer for any reason, except with Seller's written consent and upon terms that will indemnify, defend and hold Seller harmless against all direct, incidental and consequential loss or damage. Seller may change product features, specifications, designs and availability with notice to Buyer.

14. **Limitation on Assignment.** Buyer may not assign its rights or obligations under this agreement without the prior written consent of Seller.

15. **Entire Agreement.** This agreement contains the entire agreement between the Buyer and Seller and constitutes the final, complete and exclusive expression of the terms of the agreement. All prior or

contemporaneous written or oral agreements or negotiations with respect to the subject matter are herein merged.

16. **Waiver and Severability.** Failure to enforce any provision of this agreement will not waive that provision nor will any such failure prejudice Seller's right to enforce that provision in the future. Invalidation of any provision of this agreement by legislation or other rule of law shall not invalidate any other provision herein. The remaining provisions of this agreement will remain in full force and effect.

17. **Termination.** This agreement may be terminated by Seller for any reason and at any time by giving Buyer thirty (30) days written notice of termination. In addition, Seller may by written notice immediately terminate this agreement for the following: (a) Buyer commits a breach of any provision of this agreement (b) the appointment of a trustee, receiver or custodian for all or any part of Buyer's property (c) the filing of a petition for relief in bankruptcy of the other Party on its own behalf, or by a third party (d) an assignment for the benefit of creditors, or (e) the dissolution or liquidation of the Buyer.

18. **Governing Law.** This agreement and the sale and delivery of all Products hereunder shall be deemed to have taken place in and shall be governed and construed in accordance with the laws of the State of Ohio, as applicable to contracts executed and wholly performed therein and without regard to conflicts of laws principles. Buyer irrevocably agrees and consents to the exclusive jurisdiction and venue of the courts of Cuyahoga County, Ohio with respect to any dispute, controversy or claim arising out of or relating to this agreement. Disputes between the parties shall not be settled by arbitration unless, after a dispute has arisen, both parties expressly agree in writing to arbitrate the dispute.

19. **Indemnity for Infringement of Intellectual Property Rights.** Seller shall have no liability for infringement of any patents, trademarks, copyrights, trade dress, trade secrets or similar rights except as provided in this Section. Seller will defend and indemnify Buyer against allegations of infringement of U.S. patents, U.S. trademarks, copyrights, trade dress and trade secrets ("Intellectual Property Rights"). Seller will defend at its expense and will pay the cost of any settlement or damages awarded in an action brought against Buyer based on an allegation that a Product sold pursuant to this Agreement infringes the Intellectual Property Rights of a third party. Seller's obligation to defend and indemnify Buyer is contingent on Buyer notifying Seller within ten (10) days after Buyer becomes aware of such allegations of infringement, and Seller having sole control over the defense of any allegations or actions including all negotiations for settlement or compromise. If a Product is subject to a claim that it infringes the Intellectual Property Rights of a third party, Seller may, at its sole expense and option, procure for Buyer the right to continue using the Product, replace or modify the Product so as to make it noninfringing, or offer to accept return of the Product and return the purchase price less a reasonable allowance for depreciation. Notwithstanding the foregoing, Seller shall have no liability for claims of infringement based on information provided by Buyer, or directed to Products delivered hereunder for which the designs are specified in whole or part by Buyer, or infringements resulting from the modification, combination or use in a system of any Product sold hereunder. The foregoing provisions of this Section shall constitute Seller's sole and exclusive liability and Buyer's sole and exclusive remedy for infringement of Intellectual Property Rights.

20. **Taxes.** Unless otherwise indicated, all prices and charges are exclusive of excise, sales, use, property, occupational or like taxes which may be imposed by any taxing authority upon the manufacture, sale or delivery of Products.

21. **Equal Opportunity Clause.** For the performance of government contracts and where dollar value of the Products exceed \$10,000, the equal employment opportunity clauses in Executive Order 11246, VEVRAA, and 41 C.F.R. §§ 60-1.4(a), 60-741.5(a), and 60-250.4, are hereby incorporated.



Parker Hannifin Corporation
A/C & Refrigeration Aftermarket
2445 South 25th Avenue • Broadview, IL 60155-3891 USA
phone 800 742 2681 • fax 800 241 2872
www.parker.com/coolparts