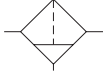
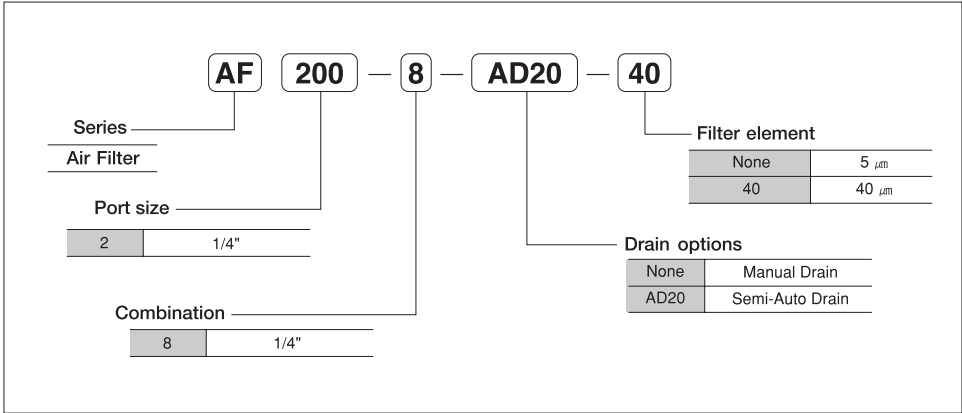


Filtler AF200 Series

Symbol



ORDER KEY

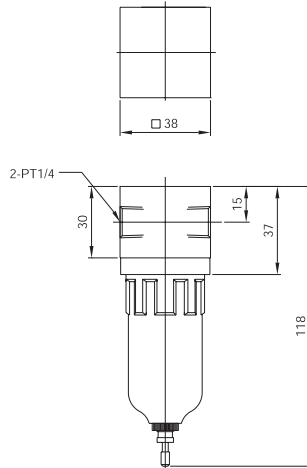


Specifications

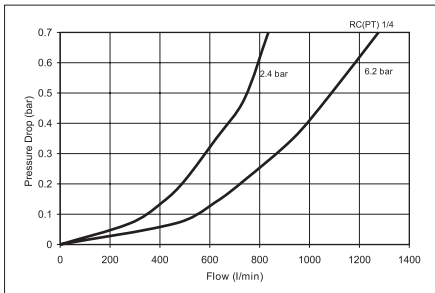
Model No.	Unit	AF200
Port size		Rc 1/4"
Filter element	μm	5 μm (Option : 40 μm)
Max Pressure	MPa (bar)	1.0 (10.0)
Proof Pressure	MPa (bar)	1.5 (15.0)
Temperature range	$^{\circ}\text{C}$	0 ~ 60

Dimensions

(Unit : mm)



Flow Characters



Filtler

AF320, AF420 Series

Symbol



ORDER KEY

AF 320 - 10 - AD41 - 40

Series: Air Filter

Body size:

320	3/8"
420	1/2"

Port Size:

8	1/4"	AF320
10	3/8"	
15	1/2"	AF420

Filter Element:

None	5 μ m
40	40 μ m

Drain options:

None	Manual Drain
AD41	Auto Drain

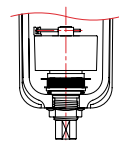
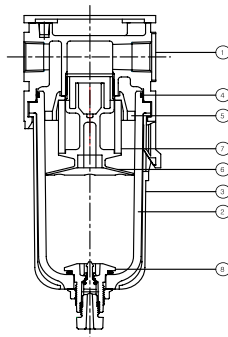
Specifications

Model No	Unit	AF320	AF420
Port size		Rc(PT) 1/4", 3/8"	Rc(PT) 1/2"
element	μ m	5 (Option : 40)	
Proof pressure	MPa (bar)	1.5 (15.0)	
Max supply pressure	MPa (bar)	1.0 (10.0)	
Temperature range	°C	0-60	
Weight	g	286	444

Component

No	Description	Material
1	Body	Aluminium
2	Bowl	ABS
3	Bowl Guide	ABS
4	Bowl O-Ring	NBR
5	Deflector	ABS
6	Bufful	ABS
7	Element	ABS
8	Drain Ass'y	ABS

Constructions

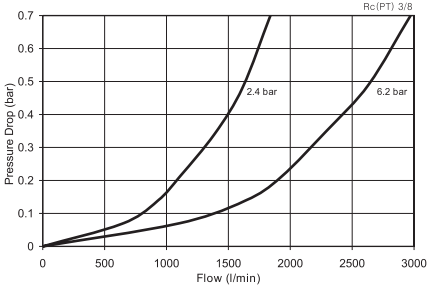


Float type auto drain

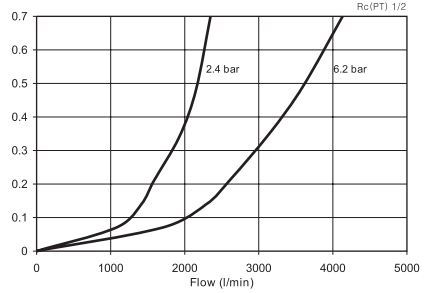
Filter

Flow Chart

AF320-10

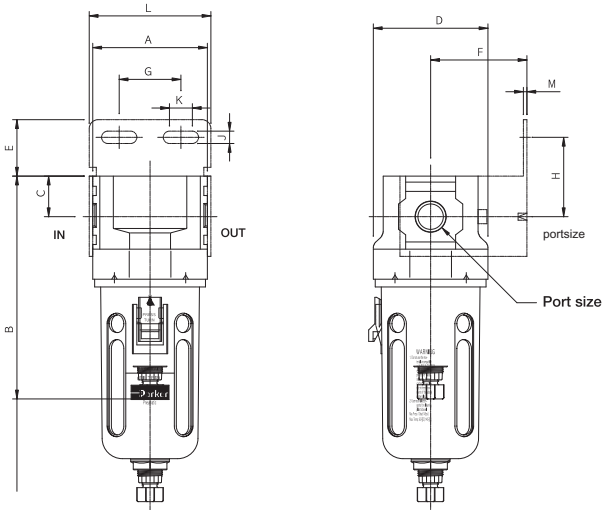


AF420-15



Dimensions

(Unit : mm)



Model No	Port size Rc(PT)	A	B	C	D	Mounting Bracket							
						E	F	G	H	J	K	L	M
AF320	1/4", 3/8"	65	172	23	65	32	50	35	45	7	13	69	2.3
AF420	1/2"	80	190	23	80	32	50	50	45	7	13	85	2.3