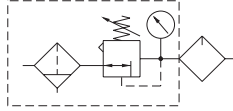
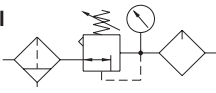


FRL Modular Combination

AU200 Series

Symbol



ORDER KEY

AU 2 00 — 8 — AD20 — 40

Series
Modular combination

Body size
2 | 1/4"

Combination

00	F+R+L 3-Combination
10	FR+L 2-Combination

Filter element

None	5 μm
40	40 μm

Drain options

None	Manual Drain
AD20	Semi-Auto Drain

Port Size

8	1/4"
---	------

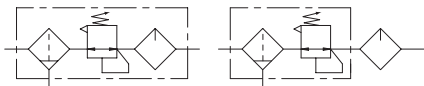
Specifications

Model No.	Unit	AU200	AU210
Filter		AF200	—
Regulator		AR200	—
Lubricator		AL200	AU200
Filter Regulator		—	AFR200
Port size		Rc 1/4"	
Gauge Port		Rc 1/8"	
Fluid		Air	
Filter element	μm	5 (Option : 40)	
Adjusting pressure range	MPa (bar)	0.05~0.85 (0.5 ~ 8.5)	
Max supply pressure	MPa (bar)	1.0 (10.0)	
Temperature range	$^{\circ}\text{C}$	0 ~ 60	
Proof pressure	MPa (bar)	15.0	
Lubrication		Turbin #1 (ISO VG32)	

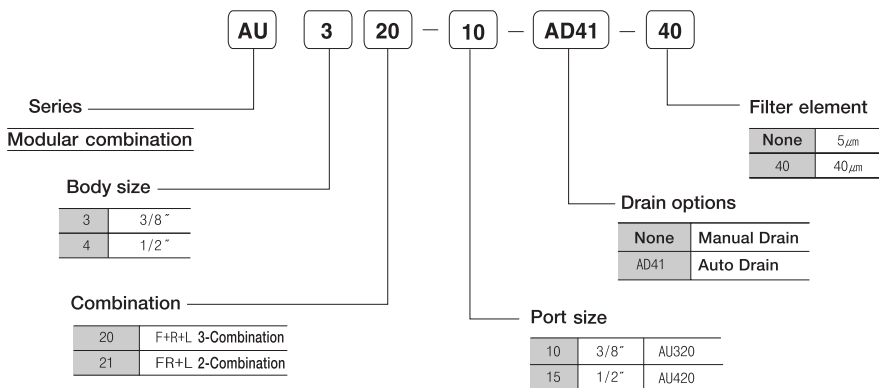
FRL Modular Combination

AU320, AU420 Series

Symbol



ORDER KEY



Specifications

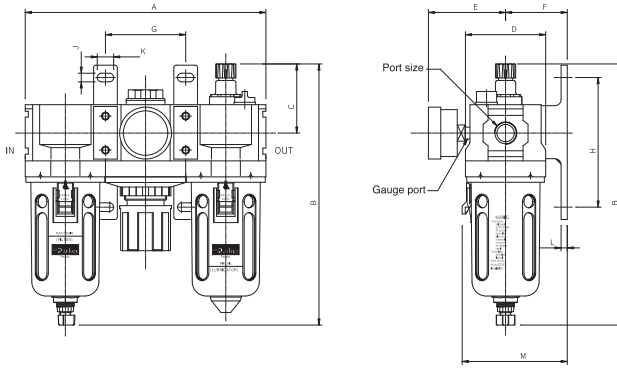
Model No	Unit	AU320	AU321	AU420	AU421
Filter		AF320	-	AF420	-
Regulator		AR320	-	AR420	-
Lubricator		AL320	AL320	AL420	AL420
Filter Regulator		-	AFR320	-	AFR420
Port size		Rc(PT), 3/8"		Rc(PT) 1/2"	
Gauge port		Rc(PT) 1/8"		Rc(PT) 1/4"	
Fluid		Air			
Proof pressure	MPa (bar)	1.5 (15.0)			
Max supply pressure	MPa (bar)	1.0 (10.0)			
Adjusting pressure range	MPa (bar)	0.05~0.85 (0.5~8.5)			
Temperature range	°C	0 ~ 60			
Filter element	μ m	5 (Option : 40)			
Lubrication		Turbin #1 (ISO VG32)			
Weight	g	1,126	928	1,618	1,420

FRL Modular Combination

Dimensions

(Unit : mm)

AU 320 / AU 420

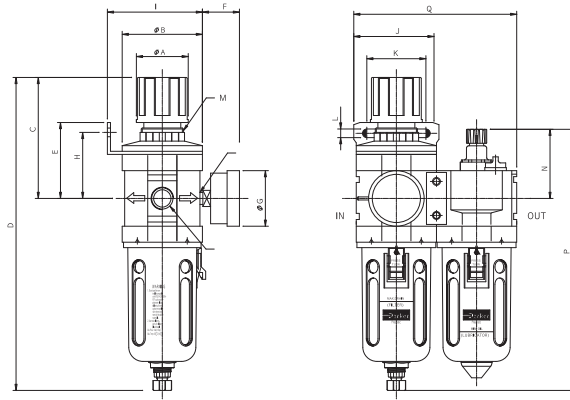


Model No.	Gauge Port size	Port size	A	B	C	D	Mounting Bracket							M
							E	F	G	H	J	K	L	
AU320	1/8"	1/4, 3/8"	195	206	56	65	67.5	45	65	105	7	14	7	86
AU420	1/4"	1/2"	240	224	56	80	75	45	80	105	7	14	7	93

Dimensions

(Unit : mm)

AU 321 / AU421



Model No.	Gauge Port size	Port size	A	φB	C	D	Mounting Bracket								M	N	P	Q
							E	F	φG	H	I	J	K	L				
AU321	1/8"	1/4", 3/8"	42	65	96	246	61.5	30	45	53.5	77	69	48	7	M36×P1.5	56	206	132
AU421	1/4"	1/2"	50	80	110	279	65	35	54	57	94.5	84	63	7	M42×P1.5	56	224	162