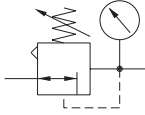
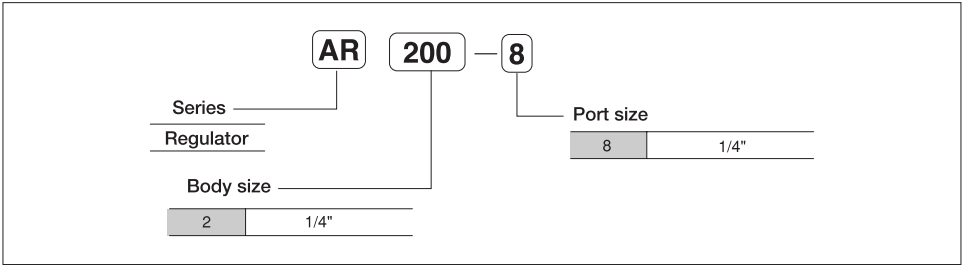


Regulator AR200 Series

Symbol



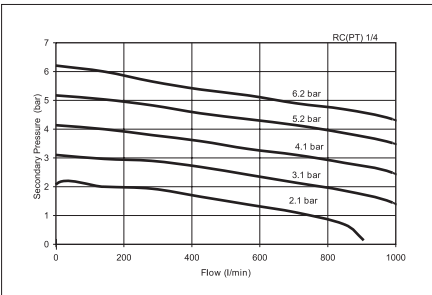
ORDER KEY



Specifications

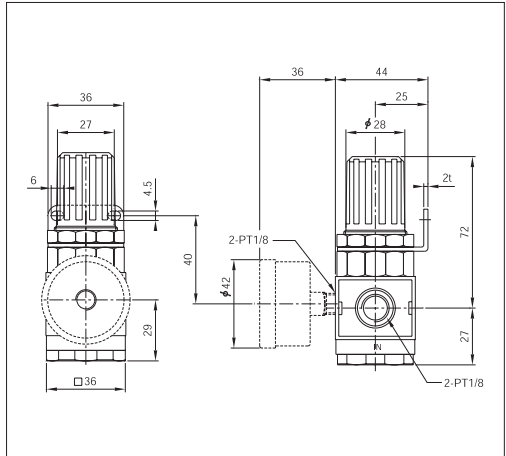
Model No	Unit	AR200
Port size		Rc 1/4"
Gauge port		Rc 1/8"
Fluid		Air
Proof pressure		1.5 (15.0)
Max supply pressure	MPa (bar)	1.0 (10.0)
Adjusting pressure range	MPa (bar)	0.05~0.85(0.5~8.5)
Temperature range	MPa (bar)	0 ~ 60
Construction	°C	Relieving

Flow Characters



Dimensions

(Unit : mm)

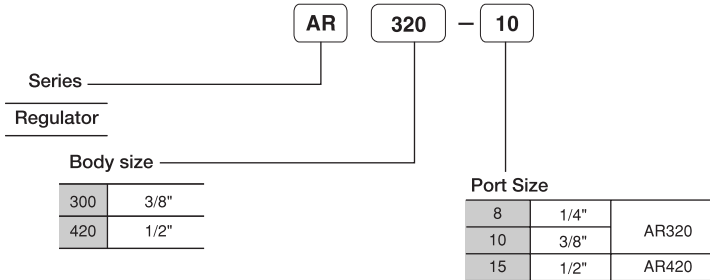


Regulator AR320, AR420 Series

Symbol



ORDER KEY



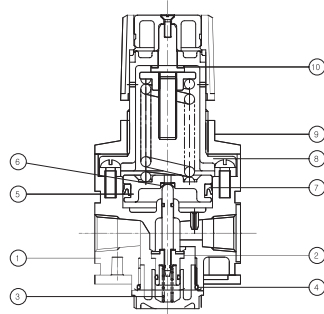
Specifications

Model No	Unit	AR320	AR420
Port size	Rc(PT)	3/8"	1/2"
Gauge port size		1/8"	1/4"
Fluid		Air	
Proof pressure	MPa (bar)	1.5 (15.0)	
Max pressure	MPa (bar)	1.0 (10.0)	
Adjusting range pressure	MPa (bar)	0.05~0.85 (0.5~0.85)	
Temperature	°C	0~60	
Constructions		Relieving	
Wight	g	370	590

Component

No	Description	Material
1	Body	Aluminium
2	Valve Ass'y	Brass / NBR
3	Valve Spring	SUS
4	O-Ring	NBR
5	Piston Ass'y	ABS
6	Valve seat	NBR
7	Piston packing	NBR
8	Bonmet	ABS
9	Nut	ABS
10	Liner	ABS

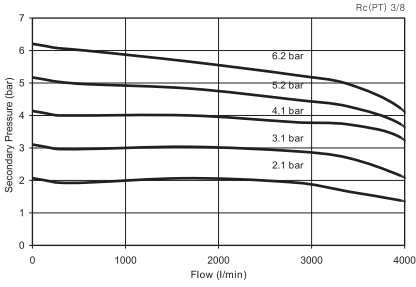
Construction



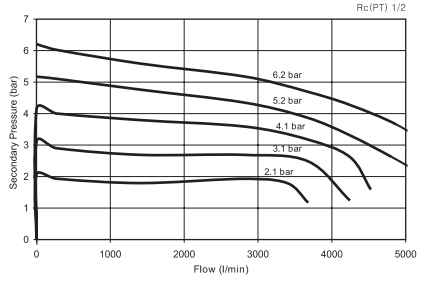
AR320, AR420 Series

Flow Chart

AR320

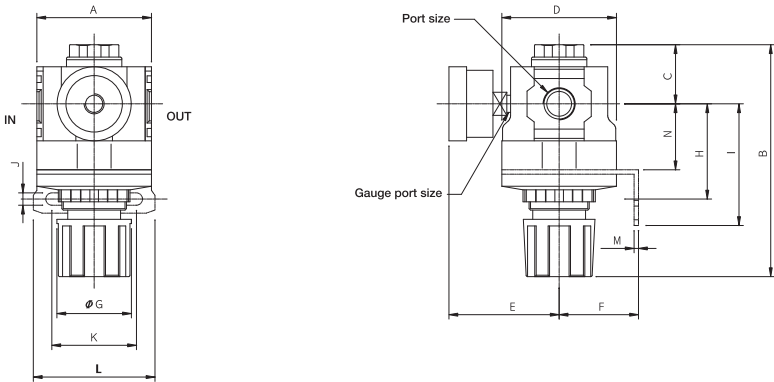


AR420



Dimensions

(Unit : mm)



Model No	Gauge port size Rc(PT)	Port size Rc(PT)	A	B	C	D	Mounting								N	
							E	F	φG	H	I	J	K	L		M
AR320	1/8"	1/4", 3/8"	65	131.5	33.5	65	62.5	45	42	53.5	61.5	7	48	69	2.5	35.5
AR420	1/4"	1/2"	80	145	35.5	80	70	55	50	57	65	7	63	84	2.3	38.5