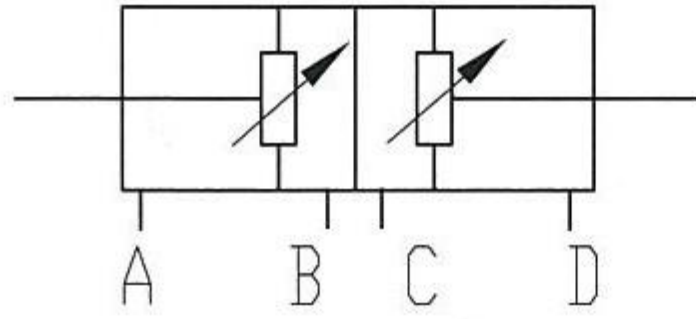


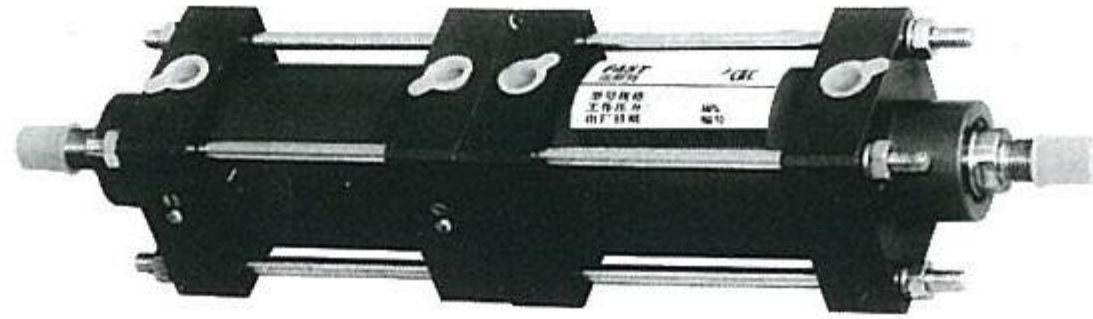
QGB II - H 双活塞气缸
QGB II - H DOUBLE PISTONS CYLINDER

图形符号

Picture symbol



QGB II - H



特点

* 本产品是以两台 QGB II 系列相同缸径的气缸对接组合而成的双活塞系列气缸，两活塞行程可以相同，也可不同。活塞运动方向相反。将一端活塞杆固定，可作为多位气缸，用途多样化。

* 适于前法兰式(MF1)和脚架(MS1)安装形式。

* 安装件尺寸与 QGB II 系列气缸相同。

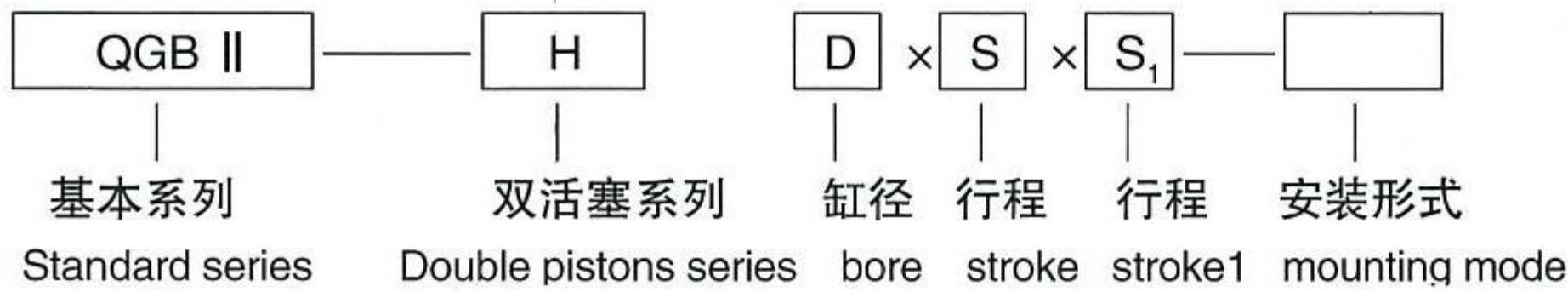
Features

This product is composed of two cylinders that have the same bore diameter. The stroke can be the same or not. The piston moves contrarily, if one points of the pistons rod is fixed, it can be used as multidigit cylinders and with divers use.

The form of mount is suitable for MF1 and MS1.

The size of the mount is the same as QGBII

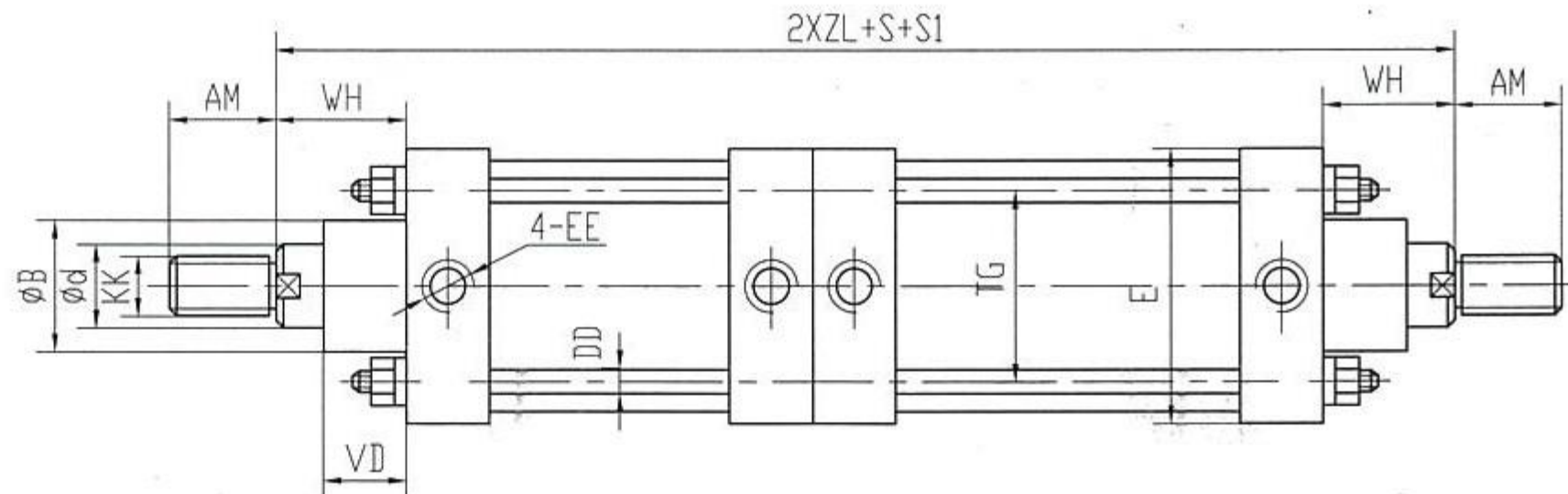
型号说明 / Type explanation



示例 / Example

缸径 \varnothing 80mm, 行程 S 为 200mm, S₁ 为 300mm 脚架式的双活塞气缸 QGB II - H80 × 200 × 300 - MS1

Clevis jointing of the double pistons cylinder (QGB II - H80 × 200 × 300 - MS1), its bore is 80mm, its stroke is 200mm and its stroke1 is 300mm.



QGB II - R 耐热气缸

* 设计参数与安装尺寸符合“ISO”国际标准。

* 密封件采用氟橡胶材料，耐高温，适于冶炼行业及高温应用场所。介质温度 -20℃ ~ +200℃ (在不冻结条件下)。

* 安装形式与安装尺寸与 QGB II 系列气缸相同。

The design parameters and installing dimensions are suiting the ISO international standard .The sealing material is heat-resistant Viton, this series cylinder is suiting used in metallurgy, high-temperature situation , etc. Medium temperature:-20 ~ +200℃ (nonfreezing condition).

