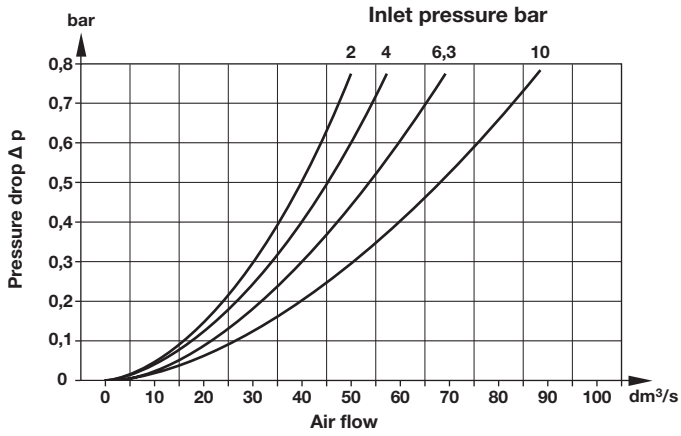
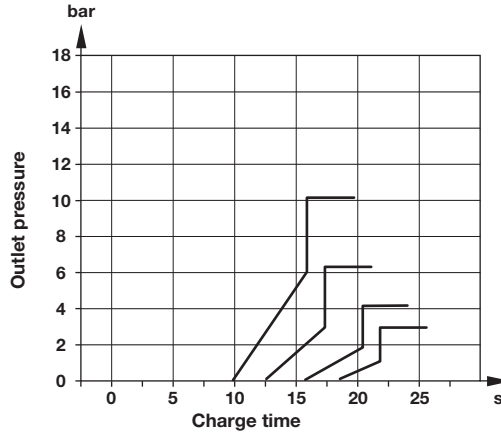


Flow characteristics

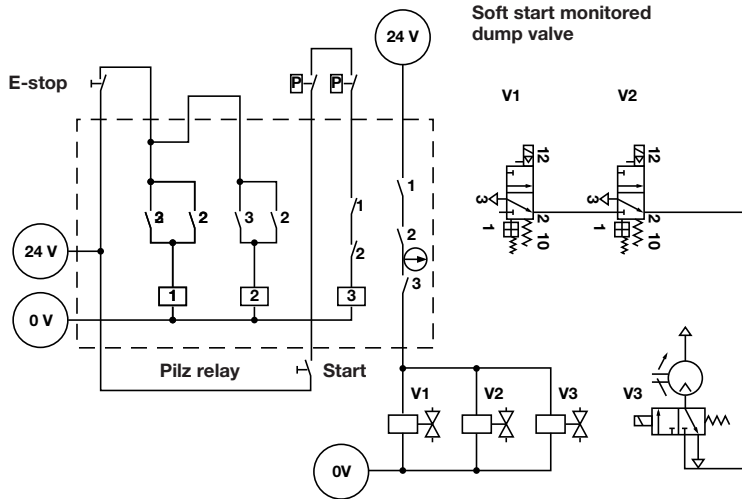


Maximum charge time



Pilz relay


To assist in compliance with the Machinery Directive 89/392/EEC a Pilz circuit should be used. This requires 2 units.



Accessories

	Models with G-thread Single yoke	Double yoke	3/2 Shut-off valve Threaded inlet only	Threaded outlet only	End connector kit	Rear entry bracket kit
Thread						
G1/4	Y64A-2GA-N1N	Y64A-2GA-N2N	T64T-2GB-P1N	T64T-2GC-P1N	—	—
G3/8	Y64A-3GA-N1N	Y64A-3GA-N2N	T64T-3GB-P1N	T64T-3GC-P1N	—	—
G1/2	Y64A-4GA-N1N	Y64A-4GA-N2N	T64T-4GB-P1N	T64T-4GC-P1N	74505-50	—
G3/4	Y64A-6GA-N1N*	Y64A-6GA-N2N*	T64T-6GB-P1N	T64T-6GC-P1N	74505-53	18-026-981
1/4 PTF	Y64A-2AA-N1N	Y64A-2AA-N2N	T64T-2AB-P1N	T64T-2AC-P1N	—	—
3/8 PTF	Y64A-3AA-N1N	Y64A-3AA-N2N	T64T-3AB-P1N	T64T-3AC-P1N	—	—
1/2 PTF	Y64A-4AA-N1N	Y64A-4AA-N2N	T64T-4AB-P1N	T64T-4AC-P1N	74505-52	—
3/4 PTF	Y64A-6AA-N1N*	Y64A-6AA-N2N*	T64T-6AB-P1N	T64T-6AC-P1N	74505-55	—

*These yokes are supplied with two end connector kits as standard.

Bracket mounting	Nut	Silencer	Yoke connector kit	Porting block	Adjustable pressure switch	Padlock with two keys
						
74504-50	74502-89	MB004B (R1/2) MB004A (1/2 NPT)	74503-51	74507-50	4346-99	0613633 (brass)

Gauges

Center back
connection, white face
(full technical
specification
see datasheet
8.900.900)



Pressure range bar *1	MPa	psi	Ø	Thread size	Model
0 ... 10	0 ... 1	0 ... 145	50 mm	R1/8	18-015-013
0 ... 25	0 ... 2.5	0 ... 362	50 mm	R1/8	18-015-014

*1) primary scale

Center back
connection, black face
for North America (full
technical specification
see datasheet
8.900.900)

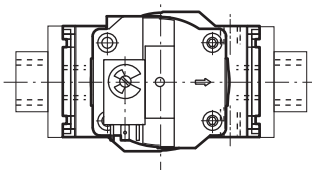
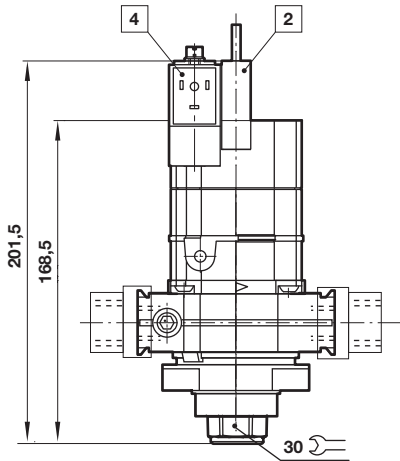
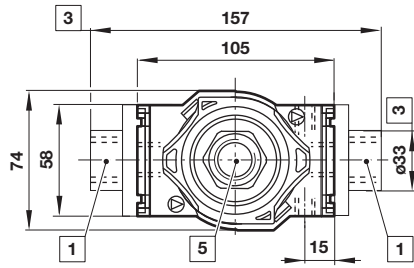


Pressure range psig *1	bar	MPa	Ø	Thread size	Model
0 ... 160	0 ... 11	0 ... 1.1	2" (50 mm)	1/8 NPT	18-015-204
0 ... 400	0 ... 28	0 ... 2.8	2" (50 mm)	1/8 NPT	18-015-206

*1) primary scale

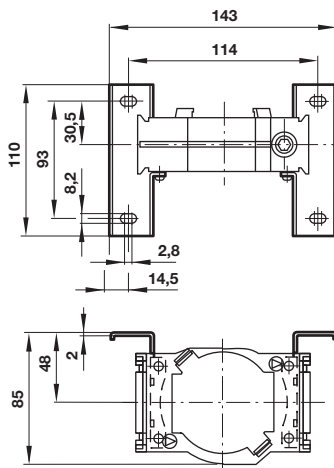
Basic dimensions

Dimensions in mm
Projection/First angle



- 1 Main ports 1/4", 3/8", 1/2" or 3/4"
- 2 Monitored switch
- 3 For main ports 3/4" only
- 4 Solenoid
- 5 Exhaust port 1/2"

Single yoke with bracket mounting



Double yoke with bracket mounting

